

RESERVDLSNUMMER -84

SPARE PARTS NUMBERS -84

Då reservdelskatalog 1984 dröjer ett par veckor, kommer här en lista på de mest gångbara detaljerna.

Since the spare part manual 1984 will be delayed a couple of weeks, we have made a list of the most frequent parts.

Motor Engine:

| | | | |
|---------------------------|----------------------------|---------|--------------|
| Transmissionskåpa | Transmission cover | 125 | 16 19 849-01 |
| " " | " " | 250 | 16 19 845-01 |
| Pumphus | Pump housing | 125/250 | 16 17 957-01 |
| Pumpaxel | Pump shaft | " | 16 17 952-01 |
| Pumphjul | Pump wheel | " | 16 17 951-01 |
| Kullager pump | Ball bearing pump | " | 73 82 198-00 |
| Tätning pump | Seal pump | " | 16 17 958-01 |
| " " | " " | " | 16 17 959-01 |
| Låsring pumphjul | Circlip pump wheel | " | 73 53 108-00 |
| O-ring pump | O-ring pump | " | 74 04 834-03 |
| Slang, pump - cyl. | Hose, pump - cyl. | 125 | 16 17 960-01 |
| " " " | " " " | 250 | 16 17 962-01 |
| Slang kyl.- topplock | Hose radiator - cyl. head | 125 | 15 14 131-01 |
| " " " | " " " | 250 | 15 14 131-02 |
| Slang kyl. - pump | Hose radiator - pump | 125 | 15 14 132-01 |
| " " " | " " " | 250 | 15 14 133-01 |
| Packning trans.kåpa | Gasket transm. cover | 500 AE | 16 11 250-01 |
| Packning lock växell. | Gasket, cover gear-box | " " | 16 11 251-01 |
| Fjäder koppling vev-axel | Spring clutch crank-shaft | " " | 16 15 155-01 |
| Fjäder koppling växellåda | Spring clutch gear-box | " " | 16 12 553-01 |
| Kil vevaxel | Woodruff key crank-shaft - | " " | 16 11 078-01 |
| Förgasaranslutning | Intake manifold | 250 | 16 13 720-01 |
| Cylinder | Cylinder | 125 | 16 14 525-01 |
| " | " | 250 | 16 14 532-01 |
| Topplock | Cylinder head | 125 | 16 14 516-01 |
| " | " " | 250 | 16 14 514-01 |

| | | | |
|----------------|----------------------|------------|--------------|
| Toppackning | Head gasket | 125 | 16 14 522-01 |
| " | " | 250 | 16 14 523-01 |
| Bottenpackning | Base gasket | 250 | 16 14 524-01 |
| Kolv std | Piston standard size | 125 | 16 11 199-01 |
| " " | " " | 240 LC | 16 14 550-01 |
| " " | " " | 250 LC | 16 14 549-01 |
| Kolvring std | Piston ring std size | 125 | 16 10 671-01 |
| " " | " " | 240 | 16 10 831-05 |
| " " | " " | 250 | 16 10 831-01 |
| Förgasare | Carburettor | 125 | 16 13 716-01 |
| " | " | 240/250 LC | 16 13 719-01 |
| Avgasstos | Exhaust manifold | 125 | 16 14 551-01 |
| " | " " | 240/250 | 16 10 891-01 |
| Packningssats | Gasket set | 125 | 16 19 852-01 |
| " | " " | 240/250 LC | 16 19 851-01 |
| " | " " | 500 AE | 16 19 850-01 |

Chassie:

| | | | |
|--------------------|-------------------|----------------|--------------|
| Kylare | Radiator | 125/250 | 15 14 125-01 |
| Kylarlock | Radiator cap | " | 15 14 126-01 |
| Spoiler, vänster | Spoiler, left | " | 15 14 137-01 |
| " höger | " right | " | 15 14 138-01 |
| Stenscottsskydd | Protection net | " | 15 14 130-01 |
| Framskärm | Front fender | 125/250 LC | 15 18 047-01 |
| Avgasrör | Exhaust pipe | 125 | 15 13 268-01 |
| " | " " | 240/250 LC | 15 13 293-01 |
| Bensintank | Petrol tank | 125/240/250 CR | 15 14 115-01 |
| | | 240 WR | |
| | | 500 WR Eu | |
| Bensintank | Petrol tank | 250 WR/XC | 15 14 113-01 |
| | | 500 WR USA, | |
| | | XC, CR, AE | |
| Sadel | Seat | | 15 13 577-01 |
| Sadelöverdrag | Seat cover | | 15 13 578-01 |
| Sidopanel, höger | Side panel, right | | 15 19 775-01 |
| Sidopanel, vänster | Side panel, left | 125/250 | 15 17 745-01 |
| " " | " " " | 500 | 15 17 746-01 |
| Strålkastare kpl | Head light compl. | WR | 15 17 481-01 |

| | | |
|--------------------------------------|--------------|----|
| Enkelttätat lager till pumpaxel | 73 82 198-04 | 20 |
| Single sealed bearing for pump shaft | | |
| Abgedichtetes Lager für Wasserpumpen | | |
| Kick kpl, aluminium | 16 11 086-01 | 5 |
| Kickstart pedal cpl, aluminium | | |
| Kickstarter kpl. Aluminium | | |
| Axeldel, kick | 16 11 672-02 | 2 |
| Lower part, kickstarter | | |
| Unterteil/Kickstarter | | |
| Kickpedal | 16 11 083-01 | 2 |
| Kickstart pedal | | |
| Kickstarter-Hebel/Oberteil | | |
| Fjäder, vilolägeskula kick | 16 11 084-01 | 5 |
| Spring, retainer ball kickstarter | | |
| Federsicherung/Kickstarter | | |
| Vilolägeskula, kick | 73 86 120-03 | 5 |
| Retainer ball, kickstarter | | |
| Retierkugel für Kickstarter | | |
| Bricka, kickpedal | 16 11 298-01 | 5 |
| Washer, kickstart pedal | | |
| Beilagscheibe/Kickstarter-Hebel | | |
| O-ring kickpedal | 74 04 313-10 | 5 |
| O-ring kickstart pedal | | |
| O-Ring/Kickstarter-Hebel | | |
| Plastplugg kick | 16 11 085-01 | 5 |
| Plastic plug kickstarter | | |
| Plastikstopfen/Kickstarter | | |

| | | | |
|-------------------|---|--------------|---|
| 240 - 250: | Cylinder kpl 240 | 16 14 484-01 | |
| | Cylinder cpl 240 | | |
| | Zylinder kpl. 240 | | |
| | Cylinder kpl 250 | 16 14 484-02 | |
| | Cylinder cpl 250 | | |
| | Zylinder kpl. 250 | | |
| | Förgasare 240 (strypt) | 16 13 806-01 | |
| | Carburettor 240 (restricted) | | |
| | Vergaser 240 (gedrosselt) | | |
| | Förgasare 250 | 16 13 808-01 | |
| | Carburettor 250 | | |
| | Vergaser 250 | | |
| | Kylarslang, förgrening övre till topplock | 15 14 148-02 | B |
| | Radiator hose, y-branch upper to head | | |
| | Kühlschlauch | | |
| | Kylarslang, v. övre kyl till förgrening | 15 14 148-03 | B |
| | Radiator hose, upper left radiator to y-branch | | |
| | Kühlschlauch | | |
| | Kylarslang, pump till förgrening | 15 13 900-01 | B |
| | Radiator hose, pump to t-branch | | |
| | Kühlschlauch | | |
| | Kylarslang, v. undre kyl till förgrening | 15 14 124-02 | B |
| | Radiator hose, lower right radiator to t-branch | | |
| | Kühlschlauch | | |
| | Transmissionskåpa (2 lager) | 16 19 845-02 | B |
| | Transmission cover (2 bearings) | | |
| | Getriebedeckel (2 Lager) | | |

| | | | |
|-------------|-------------------|--------------|--|
| 400: | Avgasrör kpl | 15 13 322-02 | |
| | Exhaust pipe cpl | | |
| | Auspuff-Rohr kpl. | | |

| | | |
|--|----|----------------|
| Bromspedal, kpl med kullager | 5 | 15 15 533-01 ✓ |
| Brake pedal, cpl with ballbearings | | |
| Bremshebel kpl. mit Kugellager | 5 | 15 19 737-01 ✓ |
| Distans, mellan pedal och ram | | |
| Spacer, between pedal and frame | | |
| Distanz zwischen Pedal und Rahmen | | |
| Bromsstång | 5 | 15 15 444-05 ✓ |
| Brake rod | | |
| Bremsstange | | |
| Återgångsfjäder, bromsstång | 30 | 15 15 112-01 ✓ |
| Return spring, brake rod | | |
| Zugfeder/Bremsstange | | |
| Rulle, kedjestyrare (nytt material) | 50 | 15 11 317-01 ✓ |
| Roller, chain guide (new material) | | |
| Kettenrolle (neues Material) | | |
| Avgasrör 125 WR | | 15 13 348-01 |
| Exhaust pipe 125 WR | | |
| Auspuff-Rohr 125 WR | | |
| Avgasrör 240-250 WR | | 15 13 366-01 |
| Exhaust pipe 240-250 WR | | |
| Auspuff-Rohr 240-250 WR | | |
| Avgasrör 400 WR | | 15 13 322-02 |
| Exhaust pipe 400 WR | | |
| Auspuff-Rohr 400 WR | | |
| Ljuddämpare kpl med gnistsläckare, WR USA enbart | | 15 13 365-01 |
| Silencer cpl with spark arrestor, WR USA only | | |
| Gnistsläckare Krizman, WR USA enbart | | 15 13 320-01 |
| Spark arrestor Krizman, WR USA only | | |

MOTOR - ENGINE

| | | | |
|------|-----------------------------|--------------|---|
| 125: | Cylinder kpl | 16 14 525-02 | |
| | Cylinder cpl | | |
| | Zylinder kpl. | | |
| | Topplock | 16 14 516-02 | |
| | Cylinder head | | |
| | Zylinder-Kopf | | |
| | Förgasare | 16 13 811-01 | |
| | Carburettor | | |
| | Vergaser | | |
| | Nålmunstycke special | 16 13 801-01 | 3 |
| | Needle jet special | | |
| | Nadeldüse spezial | | |
| | Växelförare | 16 11 080-01 | 3 |
| | Gear shift fork | | |
| | Schaltgabel | | |
| | Växelförare | 16 11 081-01 | 3 |
| | Gear shift fork | | |
| | Schaltgabel | | |
| | Växelförare | 16 11 082-01 | 3 |
| | Gear shift fork | | |
| | Schaltgabel | | |
| | Transmissionskåpa | 16 19 849-02 | 1 |
| | Transmission cover | | |
| | Getriebedeckel | | |
| | Vattenpumpaxel, kortad | 16 17 966-01 | ✓ |
| | Water pump shaft, shortened | | |
| | Wasserpumpenwelle | | |

84

WP

DIMENSIONER OCH BETECKNINGAR

DIMENSIONS AND DISCRPTIONS

Skruvar: Gängdimension \times längd (M6 \times 30)
Muttrar: Gängdimension (M8)
Brickor: Typ, inre \varnothing \times yttre \varnothing \times tjocklek (FBB 6,4 \times 10 \times 1)
Typer: FBB = Fjäderbricka, öppen
FA = Fjäderbricka
LI = Låsbricka, innertandad

Kullager: Fabrikantens beteckning (SKF 6301)

Tätringar: Inre \varnothing \times yttre \varnothing \times tjocklek (25 \times 42 \times 7)

L = Längd

z = Antal kuggar

N = Ny reservdel

Rätt till ändringar förbehålles

Screws: Thread dimensions \times lenght

Nuts: Thread dimension

Washer: Type, inner \varnothing \times exterior \times \varnothing thickness

Types: FBB = Spring washer open

FA = Spring washer

LI = Lock washer, inside indent

Ball bearings: Manufactures description

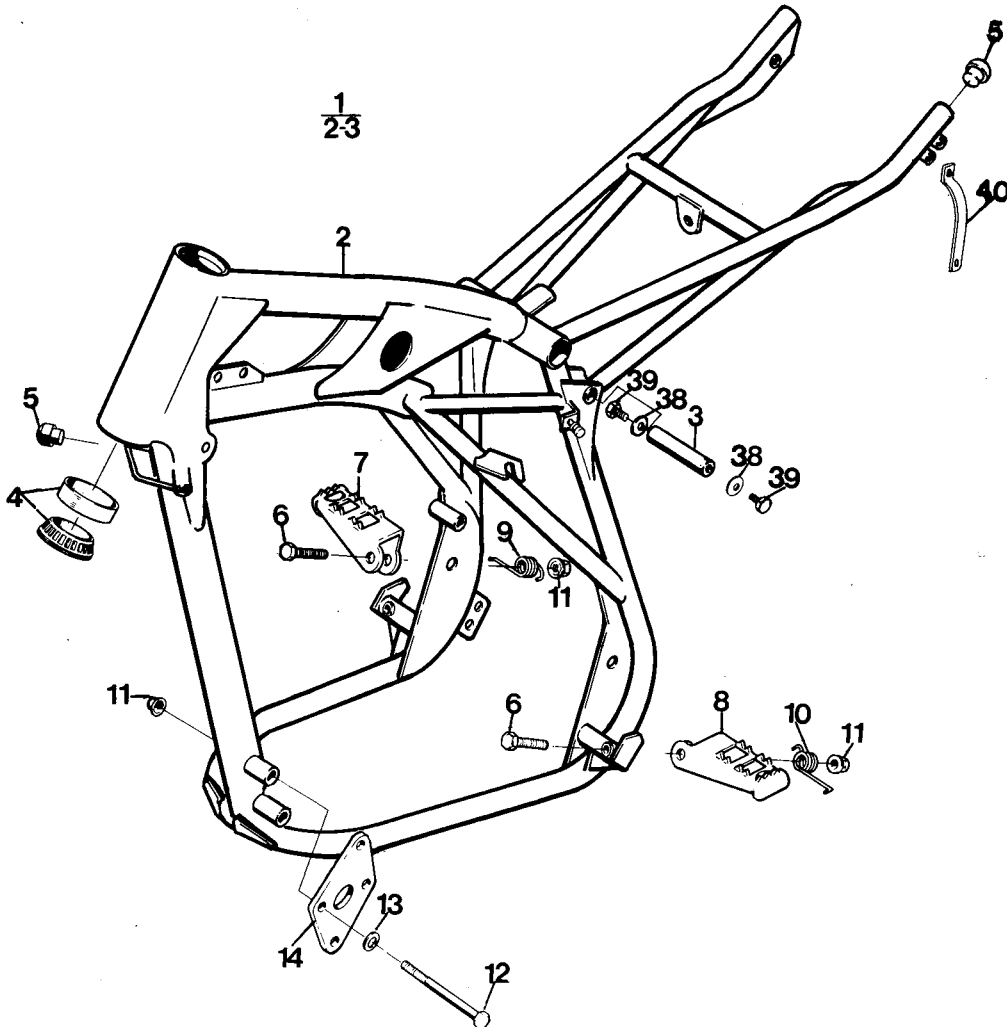
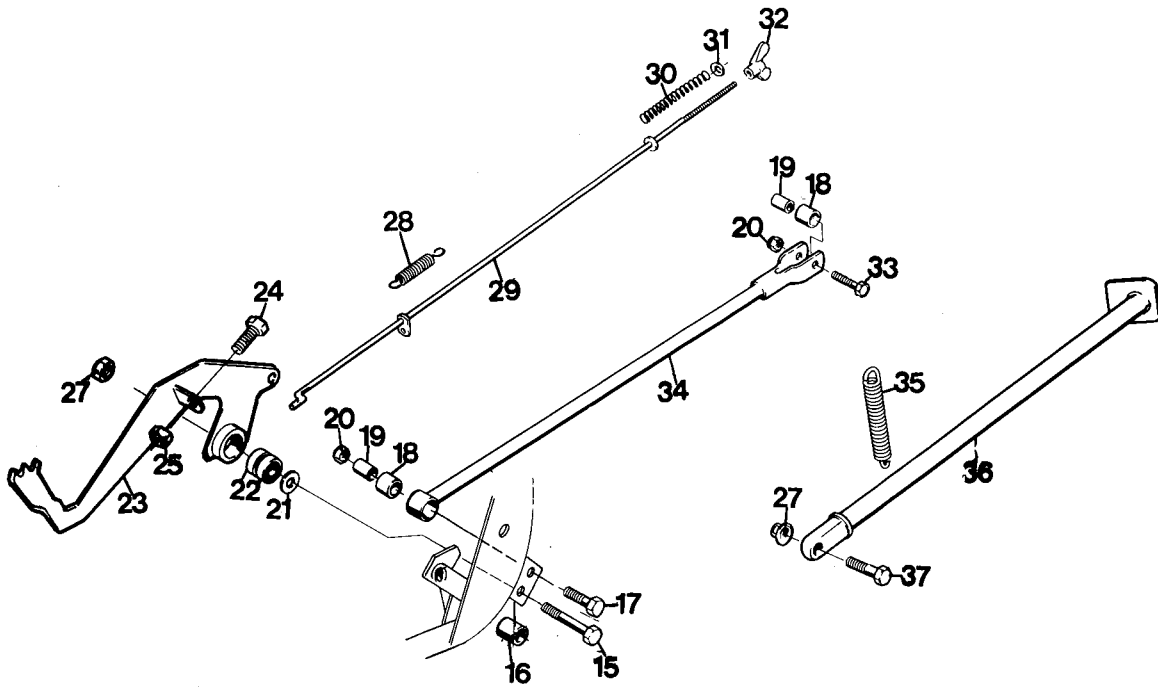
Sealing rings: Inner \varnothing \times exterior \varnothing thickness

L = Lenght

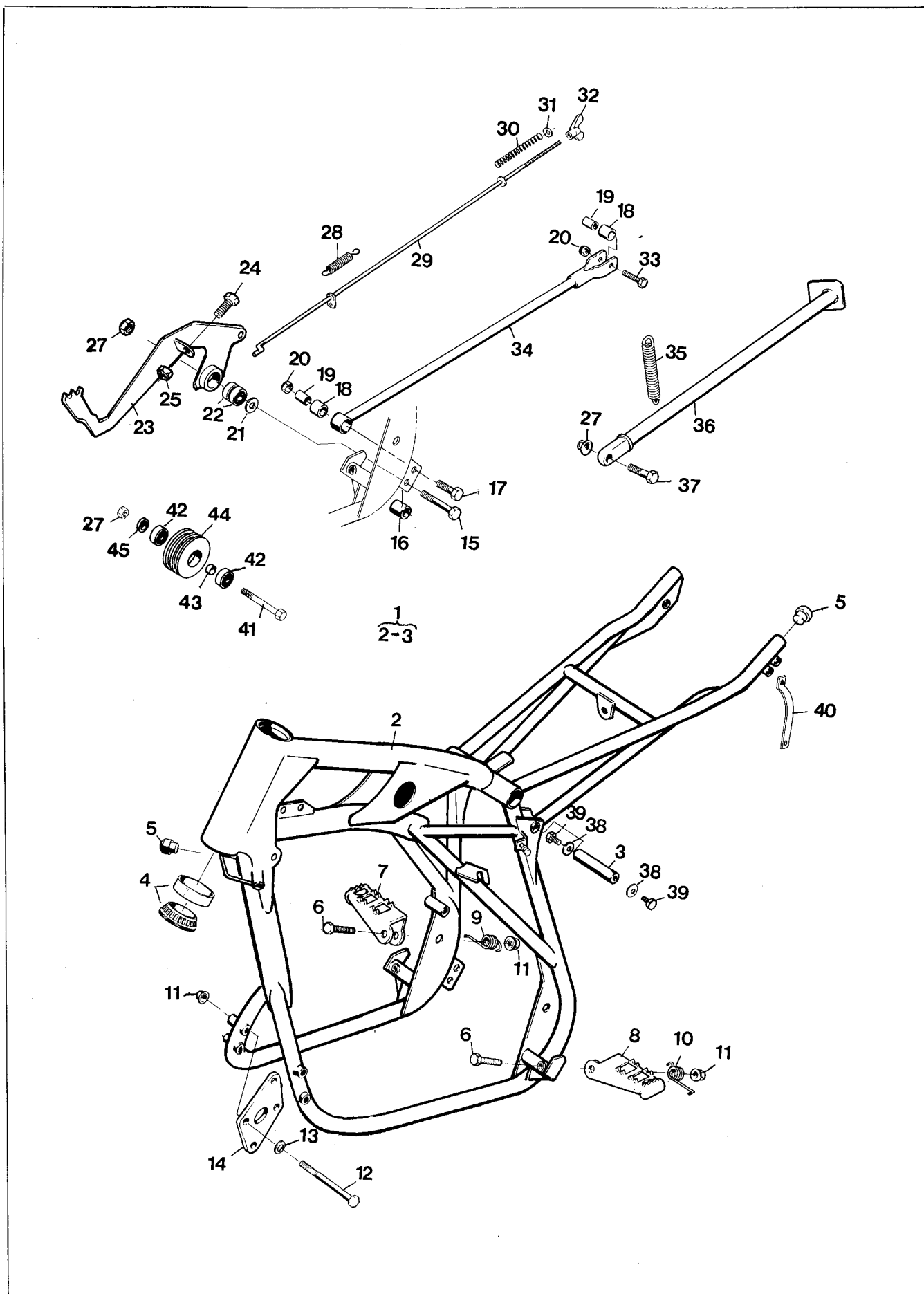
z = Numbers of cogs

N = New spare part

Specifications subject to change without notice.



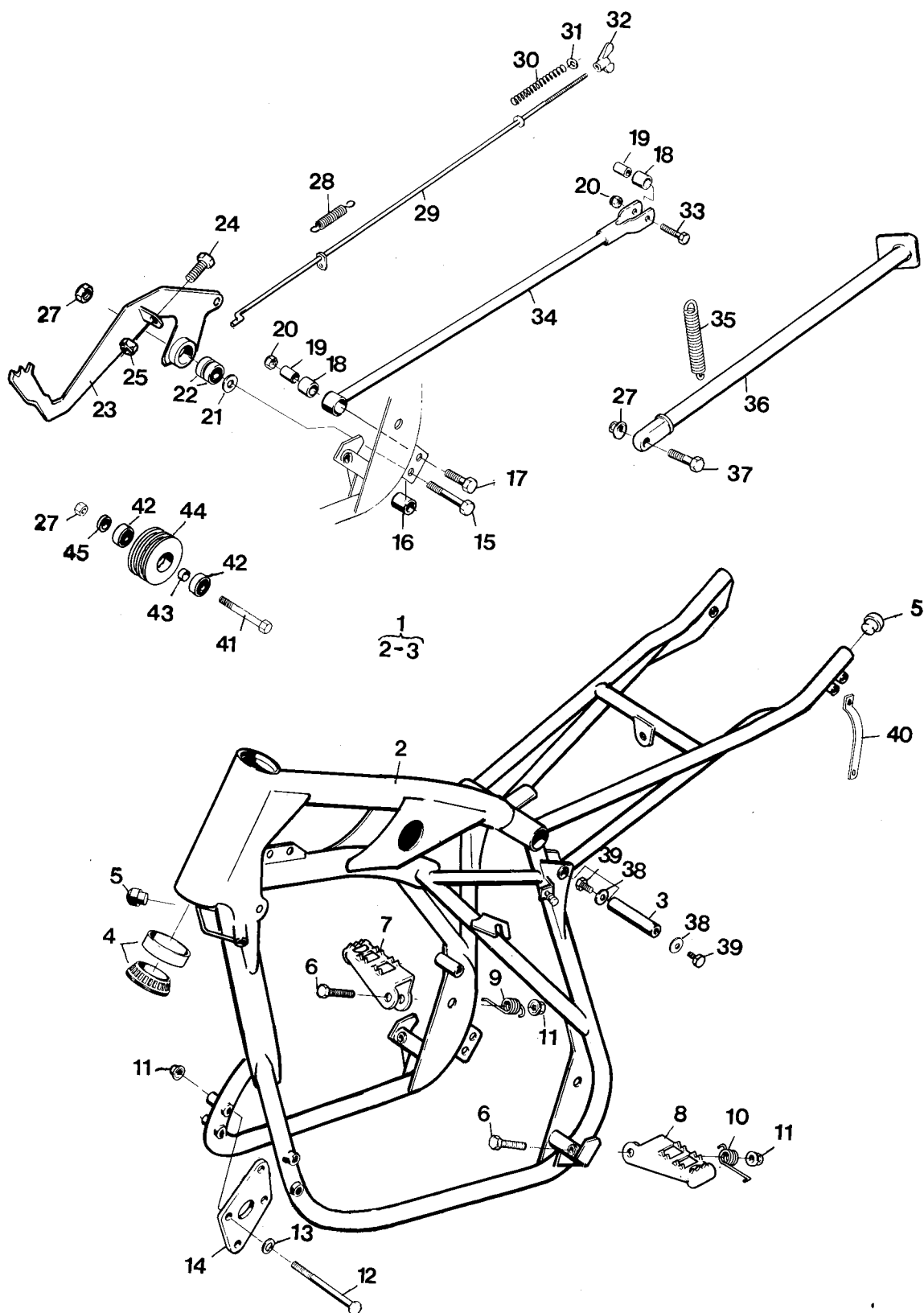
| Fig. | Part Number Detaljnummer | Quantity/Antal | | | | | | | | | | | | | Description Benämning |
|---------|-----------------------------|----------------|----|----|-----|----|-----|----|----|-----|-----|----|----|----|------------------------------------|
| | | 125 | | | 240 | | 250 | | | 500 | | | | | |
| | | CR | WR | XC | CR | WR | CR | WR | XC | WRE | WRU | CR | XC | AE | |
| | 15 11 026-01 | | | | | | | | | | | | | 1 | Ram Frame |
| 3 | 15 11 011-01 | | | | | | | | | | | | | 2 | Fästbult Att. bult. |
| 4 | 15 13 070-01 | | | | | | | | | | | | | 2 | Lager Bearing |
| 5 | 15 19 537-01 | | | | | | | | | | | | | 4 | Propp Plug |
| 6 | 72 52 462-51 | | | | | | | | | | | | | 2 | Skruv M8×55 Screw |
| 7 | 15 14 051-01 | | | | | | | | | | | | | 1 | Fotstöd, höger Footpeg, right |
| 8 | 15 13 053-01 | | | | | | | | | | | | | 1 | Fotstöd, vänster Footpeg, left |
| 9 | 15 13 738-01 | | | | | | | | | | | | | 1 | Fjäder Spring |
| 10 | 15 13 737-01 | | | | | | | | | | | | | 1 | Fjäder Spring |
| 11 | 15 13 707-01 | | | | | | | | | | | | | 6 | Mutter Nut |
| 12 | 72 52 472-81 | | | | | | | | | | | | | 4 | Skruv M8×105 Screw |
| 13 | 73 41 164-01 | | | | | | | | | | | | | 4 | Bricka 8.4×16 Washer |
| 14 | 15 11 012-01 | | | | | | | | | | | | | 2 | Motorfästplåt Engine damp plate |
| 15 | 72 52 460-51 | | | | | | | | | | | | | 1 | Skruv M8×45 Screw |
| 85 | 15 15 483-02 | | | | | | | | | | | | | 1 | Distans Spacer |
| 16 | 15 15 483-02 | | | | | | | | | | | | | 1 | |
| 17 | 72 52 374-51 | | | | | | | | | | | | | 1 | Skruv M6×30 Screw |
| 18 | 15 15 107-01 | | | | | | | | | | | | | 2 | Bussning Bushing |
| 19 | 15 15 108-01 | | | | | | | | | | | | | 2 | Distans Spacer |
| 20 | 73 22 116-01 | | | | | | | | | | | | | 2 | Mutter M6 Nut |
| 21 | 73 44 952-01 | | | | | | | | | | | | | 1 | Bricka 8.2×13 Washer |
| 22 | 73 82 198-04 | | | | | | | | | | | | | 2 | Kullager 608-2 RS Bearing |
| 85 | 15 15 491-01 | | | | | | | | | | | | | 1 | Bromspedal Brake pedal |
| 23 | 15 15 491-01 | | | | | | | | | | | | | 1 | |
| 24 | 72 52 371-51 | | | | | | | | | | | | | 1 | Skruv M6×22 Screw |
| 25 | 73 22 116-01 | | | | | | | | | | | | | 1 | Mutter M6 Nut |
| 27 | 73 22 118-01 | | | | | | | | | | | | | 1 | Mutter M8 Nut |
| 28 | 15 19 864-01 | | | | | | | | | | | | | 1 | Fjäder Spring |
| 28 | 15 19 864-01 | | | | | | | | | | | | | 1 | |
| 82-83 ✓ | 15 15 419-03 | | | | | | | | | | | | | 1 | Bromsstång Brake rod |
| 30 | 12 15 160-01 | | | | | | | | | | | | | 1 | Fjäder Spring |
| 31 | 73 41 153-01 | | | | | | | | | | | | | 1 | Bricka Washer |
| 32 | 15 15 173-01 | | | | | | | | | | | | | 1 | Vingmutter Wing nut |
| 33 | 72 52 374-51 | | | | | | | | | | | | | 1 | Skruv M6×30 Screw |
| 34 | 15 15 494-01 | | | | | | | | | | | | | 1 | Bromslänk Brake link |
| 82/83 | 15 10 442-01 ✓ | | | | | | | | | | | | | 1 | Fjäder Spring |
| 82/83 | 15 10 604-02 ✓ | | | | | | | | | | | | | 1 | Parkeringsstöd Parking rest. |
| 36 | 15 10 604-02 | | | | | | | | | | | | | 1 | |
| 37 | 72 52 455-01 | | | | | | | | | | | | | 1 | Skruv M8×30 Screw |
| 38 | 15 13 734-01 | | | | | | | | | | | | | 4 | Bricka 6.4×14 Washer |
| 39 | 72 52 364-53 | | | | | | | | | | | | | 4 | Skruv M6×10 Screw |
| 40 | 15 19 748-01 | | | | | | | | | | | | | 1 | Stag Support |



| Fig. | Part Number Detaljnummer | Quantity/Antal | | | | | | | | | | | | | Description Benämning | | |
|-------|-----------------------------|----------------|----|----|-----|----|-----|----|----|-----|-----|----|----|----|--------------------------|--|------------------------------------|
| | | 125 | | | 240 | | 250 | | | 500 | | | | | | | |
| | | CR | WR | XC | CR | WR | CR | WR | XC | WRE | WRU | CR | XC | AE | | | |
| N | 15 11 125-01 | 1 | | | 1 | | 1 | | | | | | | | | | Ram |
| 3 | 15 11 011-01 | 2 | | | 2 | | 2 | | | | | | | | | | Frame |
| 4 | 15 13 070-01 | 2 | | | 2 | | 2 | | | | | | | | | | Fästbult Att. bult. |
| 5 | 15 19 537-01 | 4 | | | 4 | | 4 | | | | | | | | | | Lager Bearing |
| 6 | 72 52 462-51 | 2 | | | 2 | | 2 | | | | | | | | | | Propp Plug |
| 7 | 15 13 051-01 | 1 | | | 1 | | 1 | | | | | | | | | | Skruv M8×55 Screw |
| 8 | 15 13 053-01 | 1 | | | 1 | | 1 | | | | | | | | | | Fotstöd, höger Footpeg, right |
| 9 | 15 13 738-01 | 1 | | | 1 | | 1 | | | | | | | | | | Fotstöd, vänster Footpeg, left |
| 10 | 15 13 737-01 | 1 | | | 1 | | 1 | | | | | | | | | | Fjäder Spring |
| 11 | 15 13 707-01 | 6 | | | 6 | | 6 | | | | | | | | | | Fjäder Spring |
| N | 72 52 472-81 | 2 | | | 2 | | 2 | | | | | | | | | | Mutter Nut |
| | 72 52 460-81 | 2 | | | 2 | | 2 | | | | | | | | | | Skruv M8×105 Screw |
| 13 | 73 41 164-01 | 4 | | | 4 | | 4 | | | | | | | | | | Skruv M8×45 Screw |
| N | 15 11 133-01 | | | | 2 | | 2 | | | | | | | | | | Bricka 8.4×16 Washer |
| N | 15 11 132-01 | 2 | | | | | | | | | | | | | | | Motorfästplåt Engine damp plate |
| 15 | 72 52 460-51 | 1 | | | 1 | | 1 | | | | | | | | | | Motorfästplåt Engine damp plate |
| 16 | 15 15 483-02 | 1 | | | 1 | | 1 | | | | | | | | | | Skruv M8×45 Screw |
| 85 | 16 1543277-01 | 1 | | | 1 | | 1 | | | | | | | | | | Distans Spacer |
| 17 | 72 52 374-51 | 1 | | | 1 | | 1 | | | | | | | | | | Skruv M6×30 Screw |
| 18 | 15 15 107-01 | 2 | | | 2 | | 2 | | | | | | | | | | Bussning Bushing |
| 19 | 15 15 108-01 | 2 | | | 2 | | 2 | | | | | | | | | | Distans Spacer |
| 20 | 73 22 116-01 | 2 | | | 2 | | 2 | | | | | | | | | | Mutter M6 Nut |
| 21 | 73 44 952-01 | 1 | | | 1 | | 1 | | | | | | | | | | Bricka 8.2×13 Washer |
| 22 | 73 82 198-04 | 2 | | | 2 | | 2 | | | | | | | | | | Kullager 608-2 RS Bearing |
| 85 | 23 15 15 491-01 | 1 | | | 1 | | 1 | | | | | | | | | | Bromspedal Brake pedal |
| 24 | 72 52 371-51 | 1 | | | 1 | | 1 | | | | | | | | | | Skruv M6×22 Screw |
| 25 | 73 22 116-01 | 1 | | | 1 | | 1 | | | | | | | | | | Mutter M6 Nut |
| 27 | 73 22 118-01 | 1 | | | 1 | | 1 | | | | | | | | | | Mutter M8 Nut |
| 28 | 15 19 864-01 | 1 | | | 1 | | 1 | | | | | | | | | | Fjäder Spring |
| 85 | 28 15 15 112-01 | 1 | | | 1 | | 1 | | | | | | | | | | Bromsstång Brake rod |
| 29 | 15 15 419-03 | 1 | | | 1 | | 1 | | | | | | | | | | Fjäder Spring |
| 82-83 | 12 15 160-01 | 1 | | | 1 | | 1 | | | | | | | | | | Bricka Washer |
| 31 | 73 41 153-01 | 1 | | | 1 | | 1 | | | | | | | | | | Vingmutter Wing nut |
| 32 | 15 15 173-01 | 1 | | | 1 | | 1 | | | | | | | | | | Skruv M6×30 Screw |
| 33 | 72 52 374-51 | 1 | | | 1 | | 1 | | | | | | | | | | Bromslänk Brake link |
| 34 | 15 15 494-01 | 1 | | | 1 | | 1 | | | | | | | | | | Fjäder Spring |
| 82/83 | 15 10 442-01 ✓ | 1 | | | 1 | | 1 | | | | | | | | | | Parkeringsstöd Parking rest. |
| 82/83 | 15 10 604-02 ✓ | 1 | | | 1 | | 1 | | | | | | | | | | Skruv M8×30 Screw |
| 37 | 72 52 455-01 | 1 | | | 1 | | 1 | | | | | | | | | | Bricka 6.4×14 Washer |
| 38 | 15 13 734-01 | 4 | | | 4 | | 4 | | | | | | | | | | |

Ram - Fotbromsreglage - Fotstöd - Parkeringsstöd
Frame - Footbrake - Footrest - Parking rest

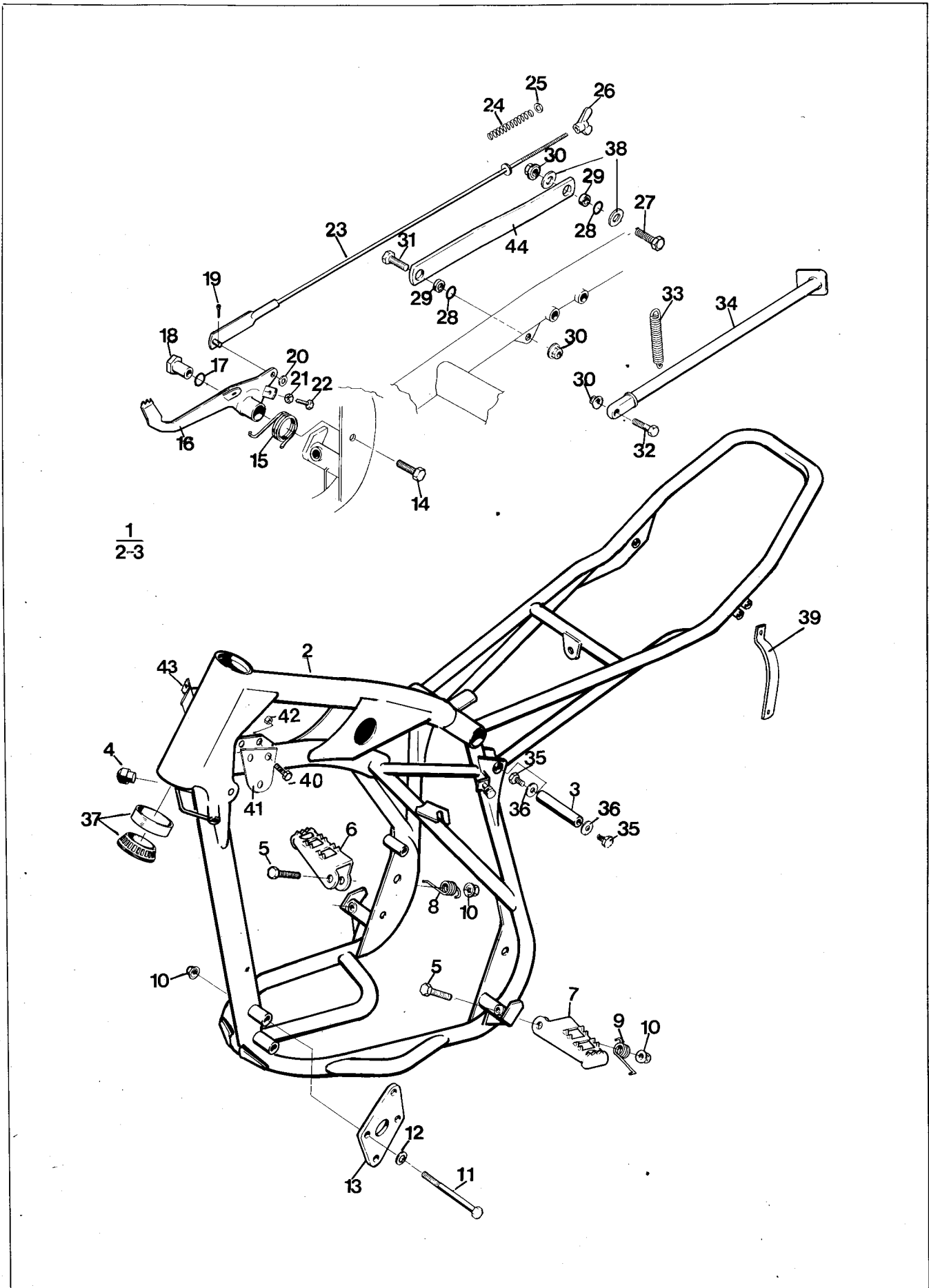
125, 240, 250 CR



| Fig. | Part Number Detaljnummer | Quantity/Antal | | | | | | | | | | | | | Description Benämning | | |
|------|-----------------------------|----------------|----|----|-----|----|-----|----|----|-----|-----|----|----|----|--------------------------|--|-----------------------------------|
| | | 125 | | | 240 | | 250 | | | 500 | | | | | | | |
| | | CR | WR | XC | CR | WR | CR | WR | XC | WRE | WRU | CR | XC | AE | | | |
| 39 | 72 52 364-53 | 4 | | | 4 | | 4 | | | | | | | | | | Skruv M6 × 10 Screw |
| 40 | 15 19 748-01 | 1 | | | 1 | | 1 | | | | | | | | | | Stag Support |
| 41 | 72 52 465-81 | 1 | | | | | | | | | | | | | | | Skruv M8 × 70 Screw |
| 42 | 73 82 198-04 | 2 | | | | | | | | | | | | | | | Kullager 608-2 RS Ball bearing |
| 43 | 15 19 736-01 | 1 | | | | | | | | | | | | | | | Distans Spacer |
| 44 | 15 19 735-01 | 1 | | | | | | | | | | | | | | | Rulle Roller |
| 45 | 15 19 737-01 | 1 | | | | | | | | | | | | | | | Distans Spacer |

Ram - Fotbromsreglage - Fotstöd - Parkeringsstöd
Frame - Footbrake - Footrest - Parking rest

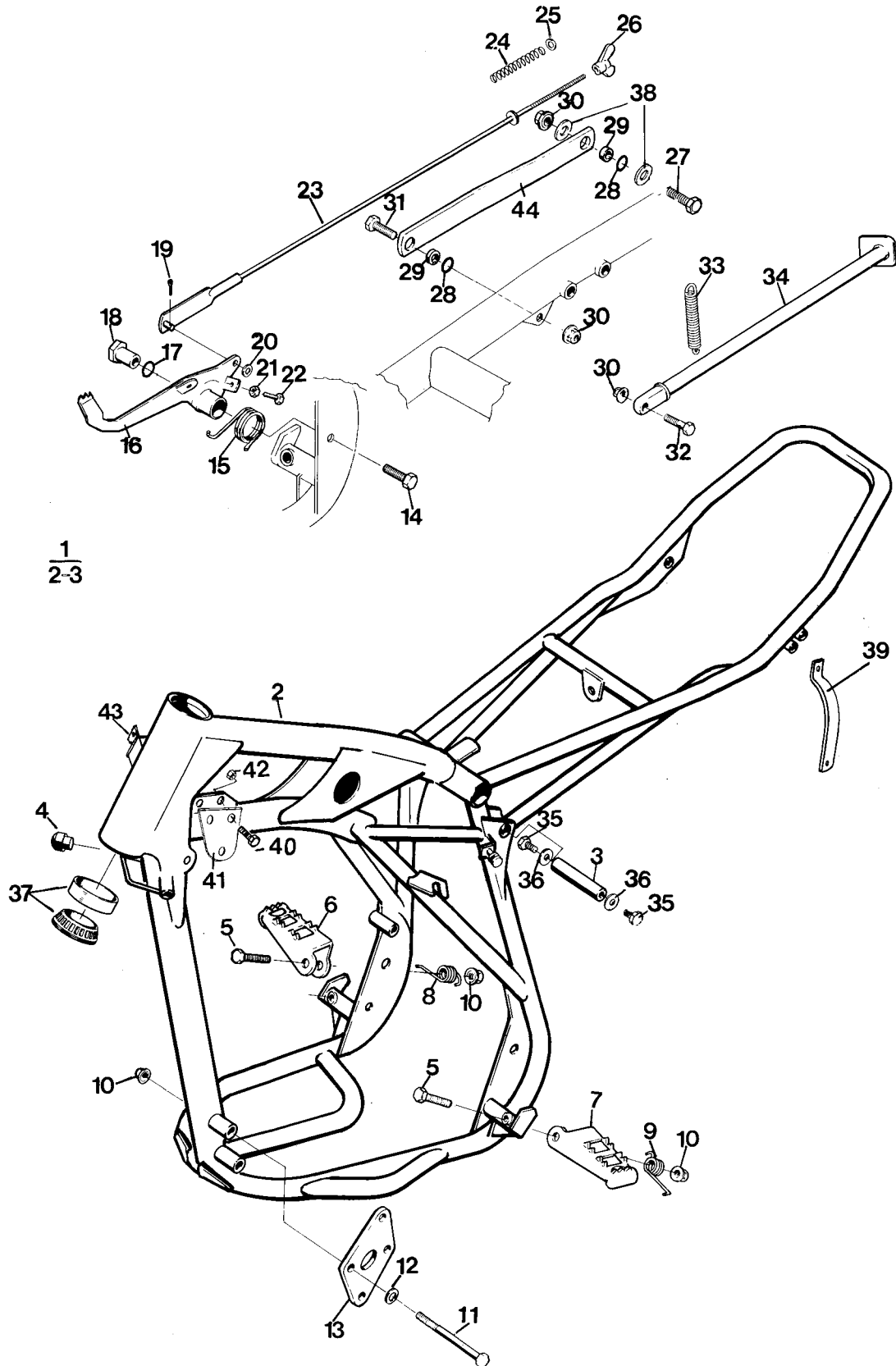
240, 250, 500 WR, XC



| Fig. | Part Number Detaljnummer | Quantity/Antal | | | | | | | | | | | | | Description Benämning | |
|------|------------------------------|----------------|----|----|-----|----|-----|----|----|-----|-----|----|----|----|--------------------------|-------------------------------------|
| | | 125 | | | 240 | | 250 | | | 500 | | | | | | |
| | | CR | WR | XC | CR | WR | CR | WR | XC | WRE | WRU | CR | XC | AE | | |
| 1 | 15 11 060-01 15 11 060-02 | | | | 1 | | 1 | 1 | 1 | | | 1 | 1 | | | Ram Frame |
| 3 | 15 11 011-01 | | | | 1 | | 1 | 1 | 1 | 1 | | 1 | 1 | | | Fästbult Att. bolt |
| 4 | 15 19 537-01 15 19 537-02 | | | | 2 | | 2 | 2 | 2 | | | 2 | 2 | | | Propp Plug |
| 5 | 72 52 462-51 | | | | 2 | | 2 | 2 | 2 | | | 2 | 2 | | | Skruv M8 x 55 Screw |
| 6 | 15 13 051-01 | | | | 1 | | 1 | 1 | 1 | | | 1 | 1 | | | Fotstöd, höger Foot peg, right |
| 7 | 15 13 053-01 | | | | 1 | | 1 | 1 | 1 | | | 1 | 1 | | | Fotstöd, vänster Foot peg, left |
| 8 | 15 13 738-01 | | | | 1 | | 1 | 1 | 1 | | | 1 | 1 | | | Fjäder Spring |
| 9 | 15 13 737-01 | | | | 1 | | 1 | 1 | 1 | | | 1 | 1 | | | Fjäder Spring |
| 10 | 15 13 707-01 | | | | 6 | | 6 | 6 | 6 | | | 6 | 6 | | | Mutter M8 Nut |
| 11 | 72 52 472-81 | | | | 4 | | 4 | 4 | 4 | | | 4 | 4 | | | Skruv M8 x 105 Screw |
| 12 | 73 41 164-01 | | | | 4 | | 4 | 4 | 4 | | | 4 | 4 | | | Bricka 8.4 x 16 Washer |
| 13 | 15 11 012-01 | | | | 2 | | 2 | 2 | 2 | | | 2 | 2 | | | Motorfästplåt Engine clamp plate |
| 14 | 72 52 453-51 | | | | 1 | | 1 | 1 | 1 | | | 1 | 1 | | | Skruv M8 x 25 Screw |
| 15 | 15 10 835-01 | | | | 1 | | 1 | 1 | 1 | | | 1 | 1 | | | Fjäder Spring |
| 16 | 15 15 447-01 | | | | 1 | | 1 | 1 | 1 | | | 1 | 1 | | | Bromspedal Brake pedal |
| 17 | 74 04 209-00 | | | | 2 | | 2 | 2 | 2 | | | 2 | 2 | | | O-ring 11.1 x 1.6 O-ring |
| 18 | 15 15 448-01 | | | | 1 | | 1 | 1 | 1 | | | 1 | 1 | | | Bussning Bushing |
| 19 | 72 16 165-01 | | | | 1 | | 1 | 1 | 1 | | | 1 | 1 | | | Pinne Pin |
| 20 | 15 13 703-01 | | | | 1 | | 1 | 1 | 1 | | | 1 | 1 | | | Bricka 6.4 x 12 Washer |
| 21 | 73 22 116-01 | | | | 1 | | 1 | 1 | 1 | | | 1 | 1 | | | Mutter M6 Nut |
| 22 | 72 52 371-51 | | | | 1 | | 1 | 1 | 1 | | | 1 | 1 | | | Skruv M6 x 22 Screw |
| 23 | 15 15 444-04 15 15 444-03 | | | | 1 | | 1 | 1 | 1 | | | 1 | 1 | | | Bromsstång Brake rod |
| 24 | 12 15 160-01 | | | | 1 | | 1 | 1 | 1 | | | 1 | 1 | | | Fjäder Spring |
| 25 | 73 41 153-01 | | | | 1 | | 1 | 1 | 1 | | | 1 | 1 | | | Bricka Washer |
| 26 | 15 15 173-01 | | | | 1 | | 1 | 1 | 1 | | | 1 | 1 | | | Vingmutter Wing nut |
| 27 | 15 16 813-01 | | | | 1 | | 1 | 1 | 1 | | | 1 | 1 | | | Bult Bolt |
| 28 | 74 04 211-00 | | | | 2 | | 2 | 2 | 2 | | | 2 | 2 | | | O-ring 13.1 x 1.6 |
| 29 | 15 15 504-01 | | | | 2 | | 2 | 2 | 2 | | | 2 | 2 | | | Distans Spacer |
| 30 | 73 22 118-01 | | | | 3 | | 3 | 3 | 3 | | | 3 | 3 | | | Mutter M8 Nut |
| 31 | 72 52 451-51 | | | | 1 | | 1 | 1 | 1 | | | 1 | 1 | | | Skruv M8 x 20 Screw |
| 32 | 72 52 455-01 | | | | 1 | | 1 | 1 | 1 | | | 1 | 1 | | | Skruv M8 x 30 Screw |
| 33 | 15 10 442-01 | | | | 1 | | 1 | 1 | 1 | | | 1 | 1 | | | Fjäder Spring |
| 34 | 15 10 604-02 | | | | 1 | | 1 | 1 | 1 | | | 1 | 1 | | | Parkeringsstöd Parkingrest |
| 35 | 72 52 364-53 | | | | 4 | | 4 | 4 | 4 | | | 4 | 4 | | | Skruv M6 x 10 Screw |
| 36 | 15 13 734-01 | | | | 4 | | 4 | 4 | 4 | | | 4 | 4 | | | Bricka 6.4 x 14 Washer |
| 37 | 15 13 070-01 | | | | 2 | | 2 | 2 | 2 | | | 2 | 2 | | | Lager Bearing |
| 38 | 50 32 300-07 | | | | 2 | | 2 | 2 | 2 | | | 2 | 2 | | | Bricka 8.2 x 26 Washer |
| 39 | 15 19 748-01 | | | | 1 | | 1 | 1 | 1 | | | 1 | 1 | | | Stag Support |

Ram - Fotbromsreglage - Fotstöd - Parkeringsstöd
Frame - Footbrake - Footrest - Parking rest

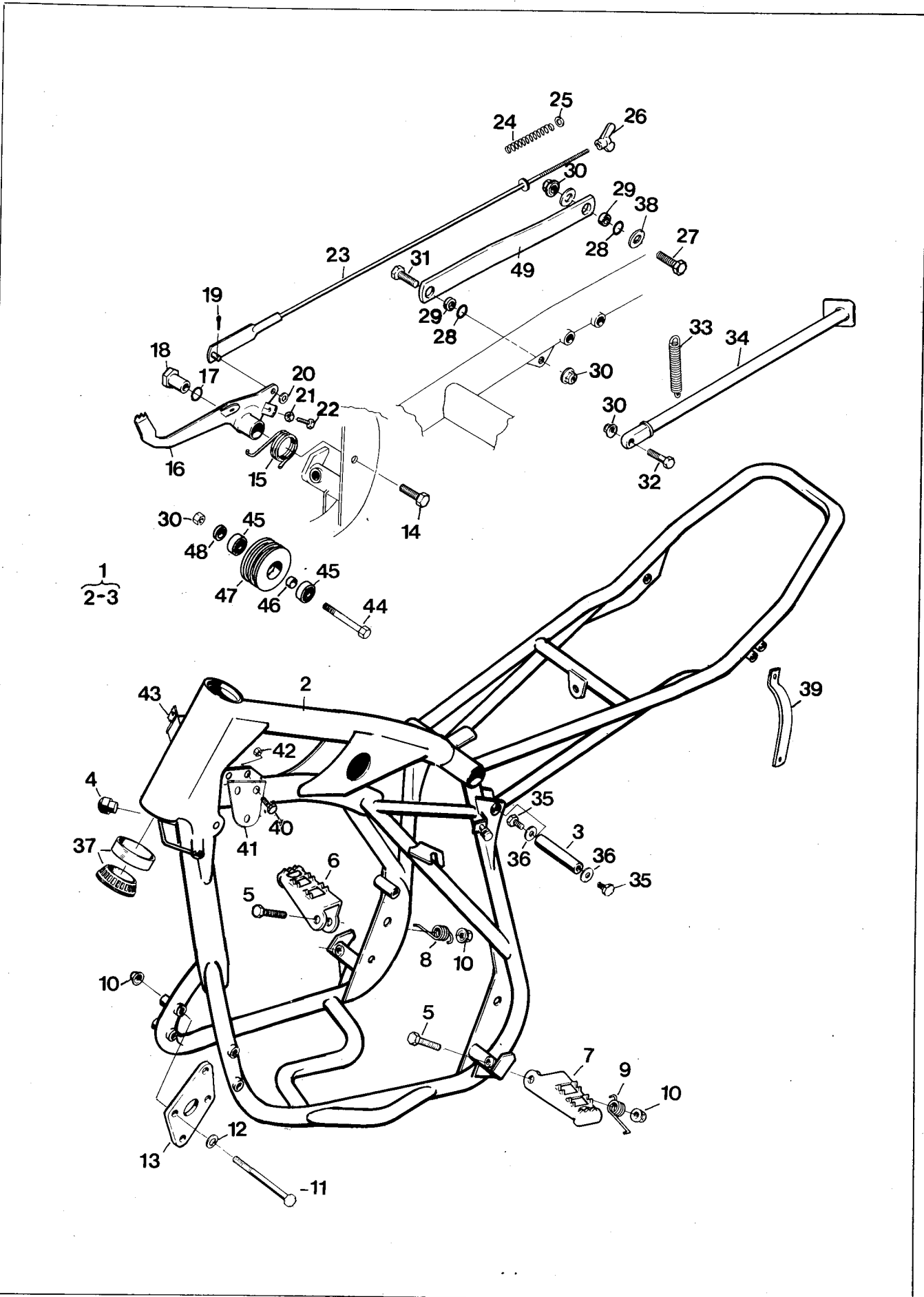
240, 250, 500 WR, XC



| Fig. | Part Number Detaljnummer | Quantity/Antal | | | | | | | | | | | | | Description Benämning |
|------|-----------------------------|----------------|----|----|-----|----|-----|----|----|-----|-----|----|----|----|---|
| | | 125 | | | 240 | | 250 | | | 500 | | | | | |
| | | CR | WR | XC | CR | WR | CR | WR | XC | WRE | WRU | CR | XC | AE | |
| 40 | 72 52 368-51 | | | | | 1 | | | 1 | | | | | 2 | Skruv M6×16 Screw |
| 41 | 15 11 107-01 | | | | | 1 | | | 1 | 1 | | | 1 | 1 | Fäste Attachment |
| 42 | 73 22 116-01 | | | | | 2 | | | 2 | 2 | | | 2 | 2 | Mutter M6 Nut |
| 43 | 15 13 086-01 | | | | | 1 | | | | 1 | | | | | Styrlås, insats Steering lock, inset |
| 44 | 15 15 503-01 | | | | | 1 | | | 1 | 1 | | | 1 | 1 | Bromsstag Brake link |

Ram - Fotbromsreglage - Fotstöd - Parkeringsstöd
 Frame - Footbrake - Footrest - Parking rest

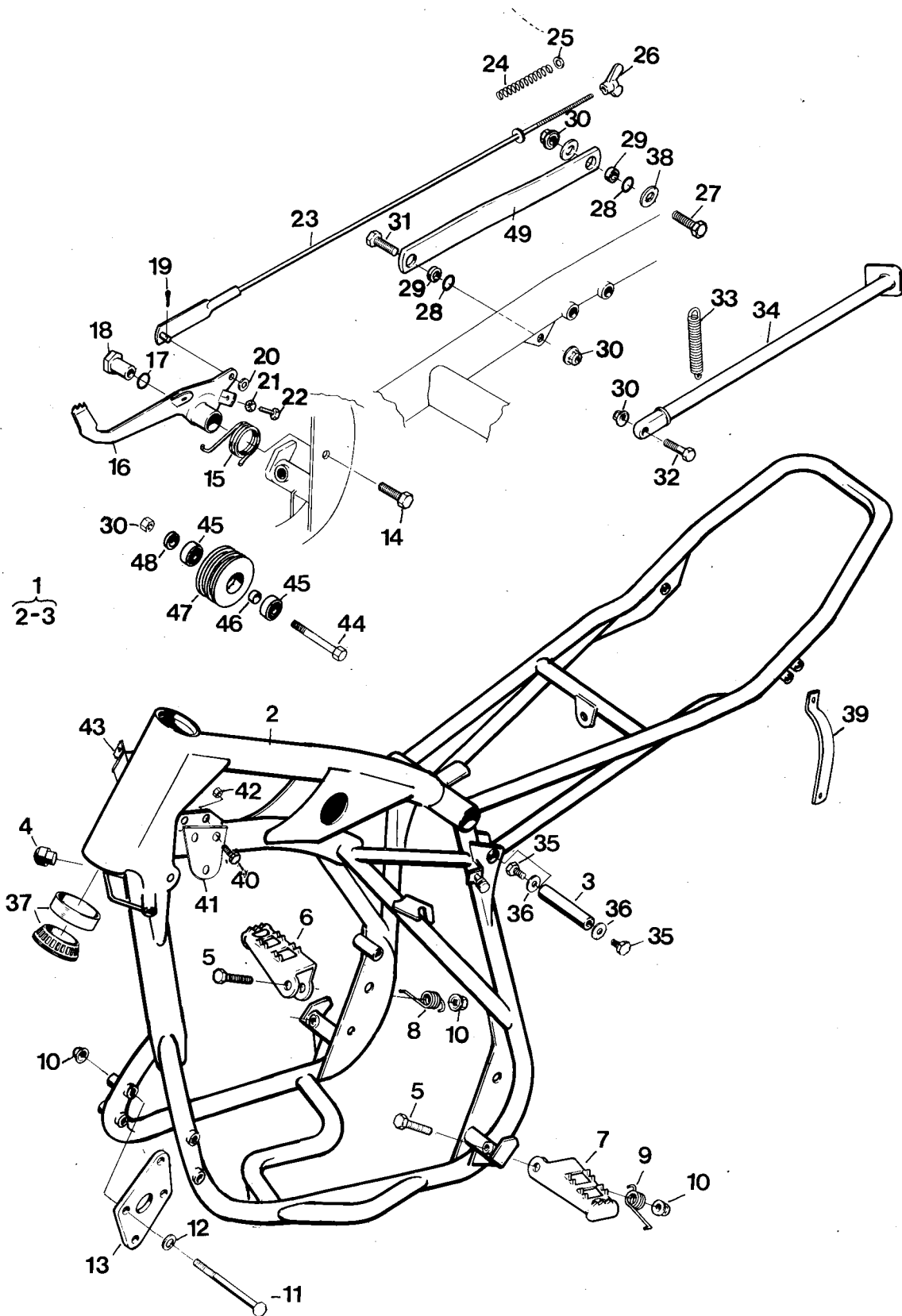
125 WR, XC



| Fig. | Part Number Detaljnummer | Quantity/Antal | | | | | | | | | | | | | Description Benämning | | |
|-------|-----------------------------|-------------------------|----|--------------|--------------|----|-----|----|----|-----|-----|----|----|----|--------------------------|--|-------------------------------------|
| | | 125 | | | 240 | | 250 | | | 500 | | | | | | | |
| | | CR | WR | XC | CR | WR | CR | WR | XC | WRE | WRU | CR | XC | AE | | | |
| N | 1 | 15 11 149-01 | | 1 | | | | | | | | | | | | | Ram |
| | | 15 11 149-02 | | | 1 | | | | | | | | | | | | Frame |
| | 3 | 15 11 011-01 | | 1 | 1 | | | | | | | | | | | | Fästbult Att. bolt |
| | 4 | 15 19 537-01 | | 2 | | | | | | | | | | | | | Propp |
| | | 15 19 537-02 | | | 2 | | | | | | | | | | | | Plug |
| | 5 | 72 52 462-51 | | 2 | 2 | | | | | | | | | | | | Skruv M8 x 55 Screw |
| | 6 | 15 13 051-01 | | 1 | 1 | | | | | | | | | | | | Fotstöd, höger Foot peg, right |
| | 7 | 15 13 053-01 | | 1 | 1 | | | | | | | | | | | | Fotstöd, vänster Foot peg, left |
| | 8 | 15 13 738-01 | | 1 | 1 | | | | | | | | | | | | Fjäder Spring |
| | 9 | 15 13 737-01 | | 1 | 1 | | | | | | | | | | | | Fjäder Spring |
| | 10 | 15 13 707-01 | | 6 | 6 | | | | | | | | | | | | Mutter M8 Nut |
| | 11 | 72 52 472-81 | | 2 | 2 | | | | | | | | | | | | Skruv M8 x 105 Screw |
| | | 72 52 460-81 | | 2 | 2 | | | | | | | | | | | | |
| | 12 | 73 41 164-01 | | 4 | 4 | | | | | | | | | | | | Brick 8.4 x 16 Washer |
| N | 13 | 15 11 132-01 | | 2 | 2 | | | | | | | | | | | | Motorfästplåt Engine clamp plate |
| | 14 | 72 52 453-51 | | 1 | 1 | | | | | | | | | | | | Skruv M8 x 25 Screw |
| | 15 | 15 10 835-01 | | 1 | 1 | | | | | | | | | | | | Fjäder Spring |
| | 16 | 15 15 447-01 | | 1 | 1 | | | | | | | | | | | | Bromspedal Brake pedal |
| | 17 | 74 04 209-00 | | 2 | 2 | | | | | | | | | | | | O-ring 11.1 x 1.6 O-ring |
| | 18 | 15 15 448-01 | | 1 | 1 | | | | | | | | | | | | Bussning Bushing |
| | 19 | 72 16 165-01 | | 1 | 1 | | | | | | | | | | | | Pinne Pin |
| | 20 | 15 13 703-01 | | 1 | 1 | | | | | | | | | | | | Bricka 6.4 x 12 Washer |
| | 21 | 73 22 116-01 | | 1 | 1 | | | | | | | | | | | | Mutter M6 Nut |
| | 22 | 72 52 371-51 | | 1 | 1 | | | | | | | | | | | | Skruv M6 x 22 Screw |
| | 23 | 15 15 444-04 | | 1 | | | | | | | | | | | | | Bromsstång Brake rod |
| | 23 | 15 15 444-03 | | 1 | 1 | | | | | | | | | | | | |
| | 24 | 12 13 160-01 | | 1 | 1 | | | | | | | | | | | | Fjäder Spring |
| | 25 | 73 41 153-01 | | 1 | 1 | | | | | | | | | | | | Bricka Washer |
| | 26 | 15 15 173-01 | | 1 | 1 | | | | | | | | | | | | Vingmutter Wing nut |
| | 27 | 15 16 813-01 | | 1 | 1 | | | | | | | | | | | | Bult Bolt |
| | 28 | 74 04 211-00 | | 2 | 2 | | | | | | | | | | | | O-ring 13.1 x 1.6 |
| | 29 | 15 15 504-01 | | 2 | 2 | | | | | | | | | | | | Distans Spacer |
| | 30 | 73 22 118-01 | | 3 | 3 | | | | | | | | | | | | Mutter M8 Nut |
| | 31 | 72 52 451-51 | | 1 | 1 | | | | | | | | | | | | Skruv M8 x 20 Screw |
| | 32 | 72 52 455-01 | | 1 | 1 | | | | | | | | | | | | Skruv M8 x 30 Screw |
| 82/83 | 33 | 15 10 442-01 ✓ | | 1 | 1 | | | | | | | | | | | | Fjäder Spring |
| 82/83 | 34 | 15 10 604-02 ✓ | | 1 | 1 | | | | | | | | | | | | Parkeringsstöd Parkingrest |
| | 35 | 72 52 364-53 | | 4 | 4 | | | | | | | | | | | | Skruv M6 x 10 Screw |
| | 36 | 15 13 734-01 | | 4 | 4 | | | | | | | | | | | | Bricka 6.4 x 14 Washer |
| | 37 | 15 13 070-01 | | 2 | 2 | | | | | | | | | | | | Lager Bearing |
| | 38 | 50 32 300-07 | | 2 | 2 | | | | | | | | | | | | Bricka 8.2 x 26 Washer |
| | 39 | 15 19 748-01 | | 1 | 1 | | | | | | | | | | | | Stag Support |

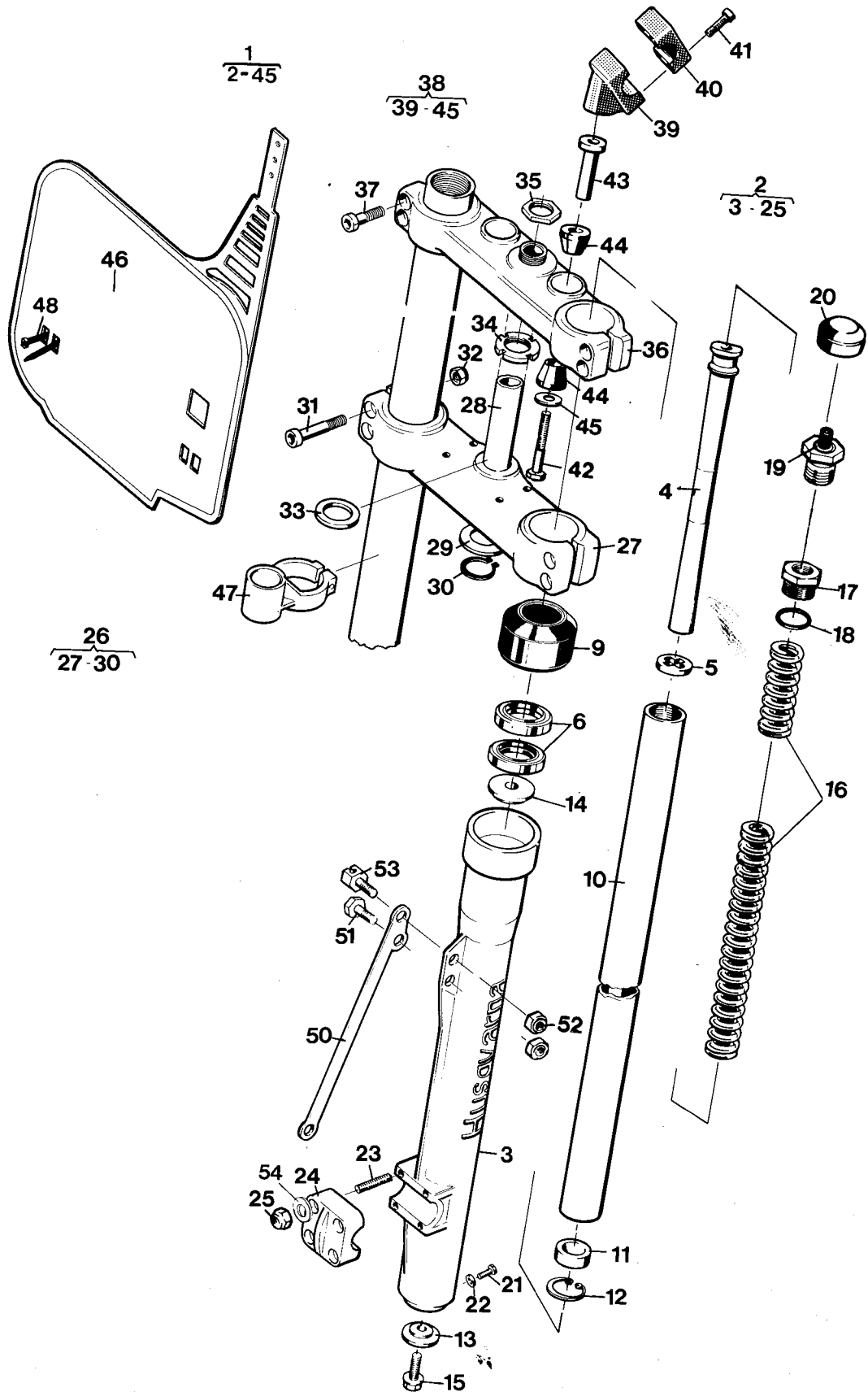
Ram - Fotbromsreglage - Fotstöd - Parkeringsstöd
 Frame - Footbrake - Footrest - Parking rest

125 WR, XC



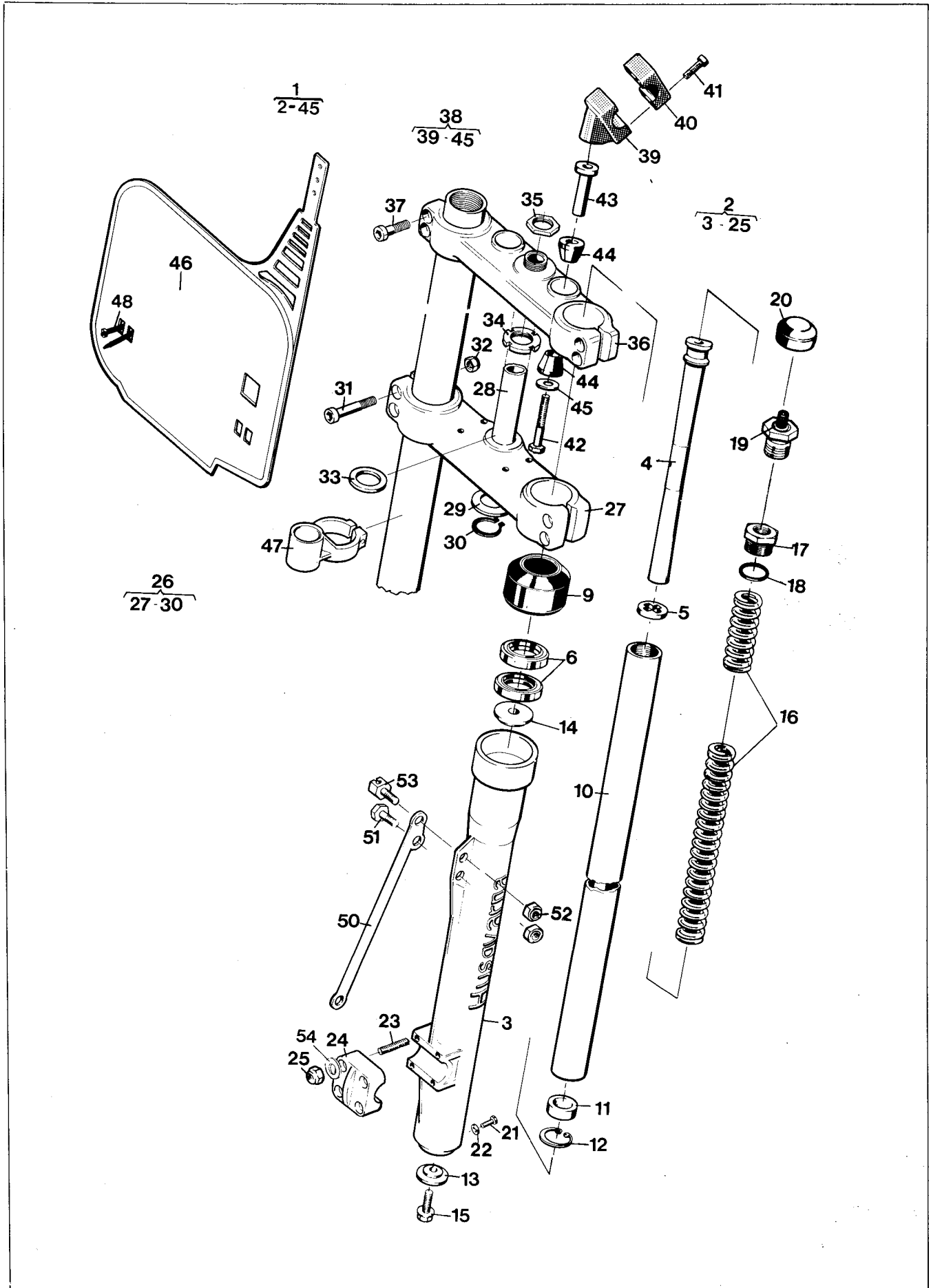
| Fig. | Part Number Detaljnummer | Quantity/Antal | | | | | | | | | | | | | Description Benämning | |
|------|-----------------------------|----------------|----|----|-----|----|-----|----|----|-----|-----|----|----|----|--------------------------|---|
| | | 125 | | | 240 | | 250 | | | 500 | | | | | | |
| | | CR | WR | XC | CR | WR | CR | WR | XC | WRE | WRU | CR | XC | AE | | |
| 40 | 72 52 368-51 | | 2 | 2 | | | | | | | | | | | | Skruv M6 x 16 Screw |
| 41 | 15 11 107-01 | | 1 | 1 | | | | | | | | | | | | Fäste Attachment |
| 42 | 73 22 116-01 | | 2 | 2 | | | | | | | | | | | | Mutter M6 Nut |
| 43 | 15 13 086-01 | | 1 | | | | | | | | | | | | | Styrlås, insats Steering lock, inset |
| 44 | 72 52 465-81 | | 1 | 1 | | | | | | | | | | | | Skruv M8 x 70 Screw |
| 45 | 73 82 198-04 | | 2 | 2 | | | | | | | | | | | | Kullager 608-2 RS Ball bearing |
| 46 | 15 19 736-01 | | 1 | 1 | | | | | | | | | | | | Distans Spacer |
| 47 | 15 19 735-01 | | 1 | 1 | | | | | | | | | | | | Rulle Roller |
| 48 | 15 19 737-01 | | 1 | 1 | | | | | | | | | | | | Distans Spacer |
| 49 | 15 15 503-01 | | 1 | 1 | | | | | | | | | | | | Bromsstag Brake link |

Framgaffel Front fork



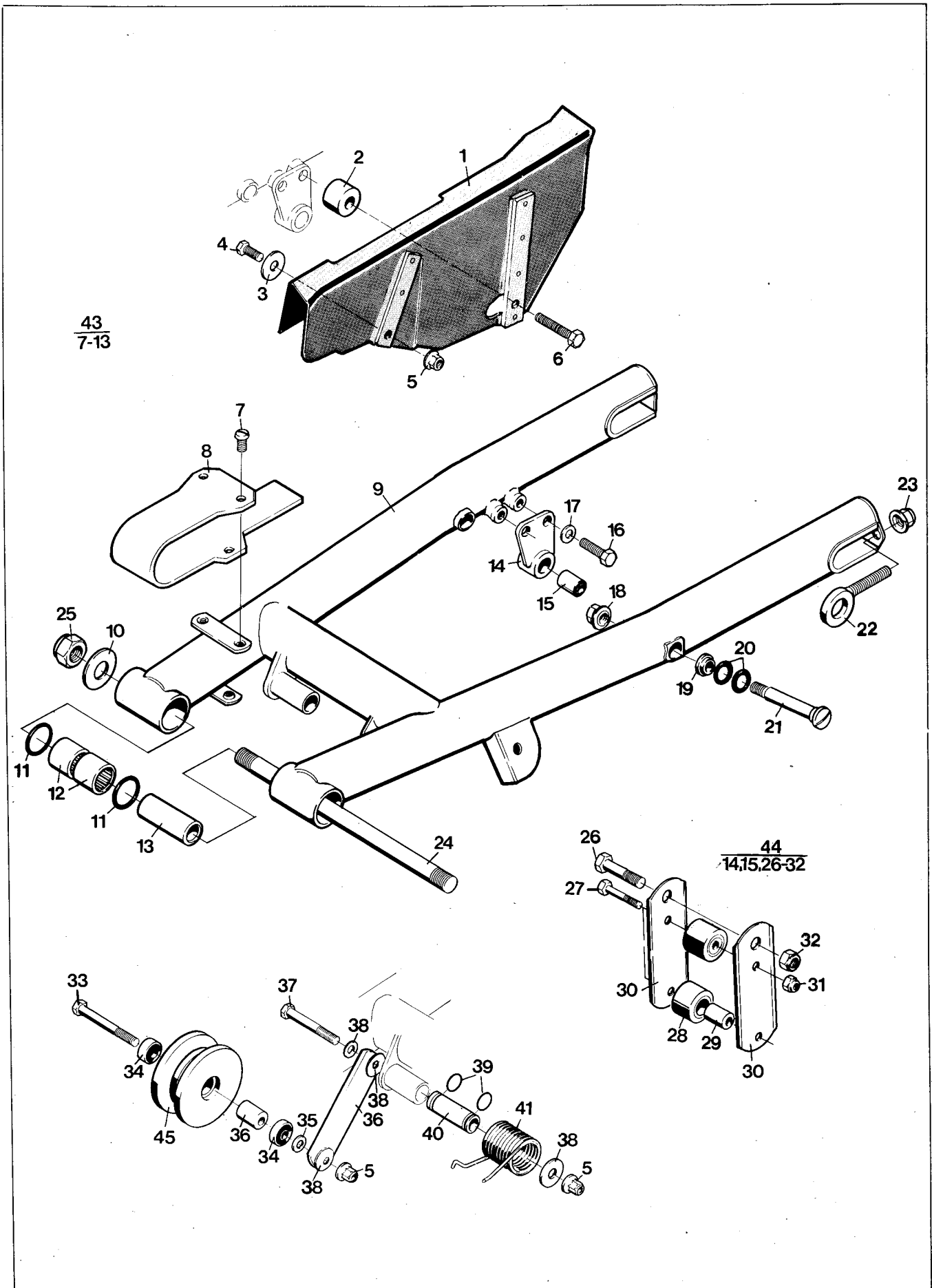
| Fig. | Part Number Detaljnummer | Quantity/Antal | | | | | | | | | | | | | Description Benämning |
|------|-----------------------------|----------------|------|----|-----|------|-----|----|------|------|-----|----|----|----|--------------------------------|
| | | 125 | | | 240 | | 250 | | | 500 | | | | | |
| | | CR | WR | XC | CR | WR | CR | WR | XC | WRE | WRU | CR | XC | AE | |
| 1 | 15 12 380-05 | | 1 | | | 1 | | | 1 | 1 | | | | 1 | Framgaffel kpl. stroke 270 mm |
| 1 | 15 12 380-04 | 1 | | 1 | 1 | | | | 1 | | | | | 1 | Framgaffel, kpl. Stroke 300 mm |
| | 15 12 380-06 | | 1/85 | | | 1/85 | | | 1/85 | 1/85 | | | | 1 | Front fork compl. |
| 2 | 15 12 385-05 | | 2 | | | 2 | | | 2 | 2 | | | | 2 | |
| 2 | 15 12 385-04 | 2 | | 2 | 2 | | | | 2 | | | | | 2 | Gaffelben, kpl. |
| | 15 12 385-06 | | 2/85 | | | 2/85 | | | 2/85 | 2/85 | | | | 2 | Fork leg compl. |
| 3 | 15 12 358-02 | 2 | | | 2 | | | | 2 | | | | | 2 | Gaffelben |
| | 15 12 393-01 | | 2 | | | 2 | | | 2 | 2 | | | | 2 | Fork leg |
| 4 | 15 12 399-02 | | 2 | | | 2 | | | 2 | 2 | | | | 2 | |
| | 15 12 399-01 | 2 | | 2 | 2 | | | | 2 | | | | | 2 | Dämpspindel, kpl. |
| | | | | | | | | | | | | | | 2 | Damping spindle compl. |
| 5 | 15 12 373-01 | 2 | 2 | 2 | 2 | 2 | 2 | 2 | 2 | 2 | 2 | 2 | 2 | 2 | Tätningbricka |
| | | | | | | | | | | | | | | 2 | Seal washer |
| 6 | 15 12 402-01 | 4 | 4 | 4 | 4 | 4 | 4 | 4 | 4 | 4 | 4 | 4 | 4 | 4 | Tätningring |
| | | | | | | | | | | | | | | 4 | Seal |
| 9 | 15 12 372-01 | 1 | 1 | 1 | 1 | 1 | 1 | 1 | 1 | 1 | 1 | 1 | 1 | 1 | Avstrykare |
| | | | | | | | | | | | | | | 1 | Stripper |
| 10 | 15 12 382-01 | 1 | 1 | 1 | 1 | 1 | 1 | 1 | 1 | 1 | 1 | 1 | 1 | 1 | Gaffelben, övre |
| | 15 12 382-02 | | 1/85 | | | 1/85 | | | 1/85 | 1/85 | | | | 1 | Fork leg upper |
| 11 | 15 12 398-01 | 1 | 1 | 1 | 1 | 1 | 1 | 1 | 1 | 1 | 1 | 1 | 1 | 1 | Bottenventil |
| | | | | | | | | | | | | | | 1 | Bottom valve |
| 12 | 73 53 133-10 | 1 | 1 | 1 | 1 | 1 | 1 | 1 | 1 | 1 | 1 | 1 | 1 | 1 | Spårring |
| | | | | | | | | | | | | | | 1 | Circlip |
| 13 | 15 12 161-01 | 1 | 1 | 1 | 1 | 1 | 1 | 1 | 1 | 1 | 1 | 1 | 1 | 1 | Bricka |
| | | | | | | | | | | | | | | 1 | Washer |
| 14 | 15 12 376-01 | 1 | 1 | 1 | 1 | 1 | 1 | 1 | 1 | 1 | 1 | 1 | 1 | 1 | Stödbricka |
| | | | | | | | | | | | | | | 1 | Washer |
| 15 | 72 52 457-51 | 1 | 1 | 1 | 1 | 1 | 1 | 1 | 1 | 1 | 1 | 1 | 1 | 1 | Skruv M6S 8x35 |
| | | | | | | | | | | | | | | 1 | Screw |
| 16 | 15 12 378-01 | 1 | 1 | 1 | 1 | 1 | 1 | 1 | 1 | 1 | 1 | 1 | 1 | 1 | Fjäder, lång |
| | 15 12 407-01 | 1/85 | 1/85 | | | 1/85 | | | 1/85 | 1/85 | | | | 1 | Spring long |
| 17 | 15 12 377-01 | 1 | 1 | 1 | 1 | 1 | 1 | 1 | 1 | 1 | 1 | 1 | 1 | 1 | Toppskruv |
| | | | | | | | | | | | | | | 1 | Top screw |
| 18 | 15 13 719-01 | 1 | 1 | 1 | 1 | 1 | 1 | 1 | 1 | 1 | 1 | 1 | 1 | 1 | O-ring 31,5x3 |
| | | | | | | | | | | | | | | 1 | O-ring |
| 19 | 15 12 346-01 | 1 | 1 | 1 | 1 | 1 | 1 | 1 | 1 | 1 | 1 | 1 | 1 | 1 | Oljepåfyllningspropp, kpl. |
| | | | | | | | | | | | | | | 1 | Plug compl. |
| 20 | 15 12 348-01 | 1 | 1 | 1 | 1 | 1 | 1 | 1 | 1 | 1 | 1 | 1 | 1 | 1 | Ventilskydd |
| | | | | | | | | | | | | | | 1 | Valve cover |
| 21 | 72 31 362-01 | 1 | 1 | 1 | 1 | 1 | 1 | 1 | 1 | 1 | 1 | 1 | 1 | 1 | Skruv M6x8 |
| | | | | | | | | | | | | | | 1 | Screw |
| 22 | 12 25 310-01 | 1 | 1 | 1 | 1 | 1 | 1 | 1 | 1 | 1 | 1 | 1 | 1 | 1 | Packning |
| | | | | | | | | | | | | | | 1 | Gasket |
| 23 | 15 12 371-01 | 4 | 4 | 4 | 4 | 4 | 4 | 4 | 4 | 4 | 4 | 4 | 4 | 4 | Pinnskruv |
| | | | | | | | | | | | | | | 4 | Screw |
| 24 | 15 12 379-01 | 1 | 1 | 1 | 1 | 1 | 1 | 1 | 1 | 1 | 1 | 1 | 1 | 1 | Överfall |
| | | | | | | | | | | | | | | 1 | Clamp |
| 25 | 25 81 146-01 | 8 | 8 | 8 | 8 | 8 | 8 | 8 | 8 | 8 | 8 | 8 | 8 | 8 | Låsmutter |
| | | | | | | | | | | | | | | 8 | Nut |
| 26 | 15 12 386-01 | 1 | | 1 | 1 | 1 | 1 | 1 | | 1 | 1 | 1 | 1 | 1 | Gaffelkrona nedre, kpl. |
| | 15 12 386-02 | | | | | | | | | | | | | 1 | Fork crown lower compl. |
| 29 | 15 12 325-01 | 1 | 1 | | 1 | 1 | 1 | 1 | 1 | 1 | 1 | 1 | 1 | 1 | Bricka |
| | | | | | | | | | | | | | | 1 | Washer |
| 30 | 73 53 126-00 | 1 | 1 | 1 | 1 | 1 | 1 | 1 | 1 | 1 | 1 | 1 | 1 | 1 | Spårring |
| | | | | | | | | | | | | | | 1 | Circlip |
| 31 | 72 52 461-01 | 4 | 4 | 4 | 4 | 4 | 4 | 4 | 4 | 4 | 4 | 4 | 4 | 4 | Skruv M 8x50 |
| | | | | | | | | | | | | | | 4 | Screw |
| 32 | 73 22 118-01 | 4 | 4 | 4 | 4 | 4 | 4 | 4 | 4 | 4 | 4 | 4 | 4 | 4 | Låsmutter |
| | | | | | | | | | | | | | | 4 | Nut |
| 33 | 15 12 328-01 | 1 | 1 | 1 | 1 | 1 | 1 | 1 | 1 | 1 | 1 | 1 | 1 | 1 | Distansring |
| | | | | | | | | | | | | | | 1 | Distance ring |
| 34 | 15 12 327-01 | 1 | 1 | 1 | 1 | 1 | 1 | 1 | 1 | 1 | 1 | 1 | 1 | 1 | Styrlagermutter |
| | | | | | | | | | | | | | | 1 | Nut |
| 35 | 15 12 329-01 | 1 | 1 | 1 | 1 | 1 | 1 | 1 | 1 | 1 | 1 | 1 | 1 | 1 | Slutmutter |
| | | | | | | | | | | | | | | 1 | Nut |
| 36 | 15 12 357-01 | 1 | 1 | 1 | 1 | 1 | 1 | 1 | 1 | 1 | 1 | 1 | 1 | 1 | Gaffelkrona, övre |
| | | | | | | | | | | | | | | 1 | Fork crown upper |
| 37 | 72 55 457-01 | 4 | 4 | 4 | 4 | 4 | 4 | 4 | 4 | 4 | 4 | 4 | 4 | 4 | Skruv M 8x35 |
| | | | | | | | | | | | | | | 4 | Screw |
| 38 | 15 12 317-01 | 2 | 2 | 2 | 2 | 2 | 2 | 2 | 2 | 2 | 2 | 2 | 2 | 2 | Styrhållare, kpl. |
| | 15 13 140-01 | | 2/85 | | | 2/85 | | | 2/85 | 2/85 | | | | 2 | Handle bar ret compl. |
| 39 | 15 13 058-01 | 1 | 1 | 1 | 1 | 1 | 1 | 1 | 1 | 1 | 1 | 1 | 1 | 1 | Styrhållare |
| | | | | | | | | | | | | | | 1 | Handle bar ret compl. |
| 40 | 15 13 059-01 | 1 | | 1 | 1 | 1 | 1 | 1 | 1 | 1 | 1 | 1 | 1 | 1 | Överfall |
| | | | | | | | | | | | | | | 1 | Clamp |
| 41 | 72 55 374-01 | 4 | | 4 | 4 | 4 | 4 | 4 | 4 | 4 | 4 | 4 | 4 | 4 | Skruv M 6x30 |
| | | | | | | | | | | | | | | 4 | Screw |

Framgaffel
Front fork



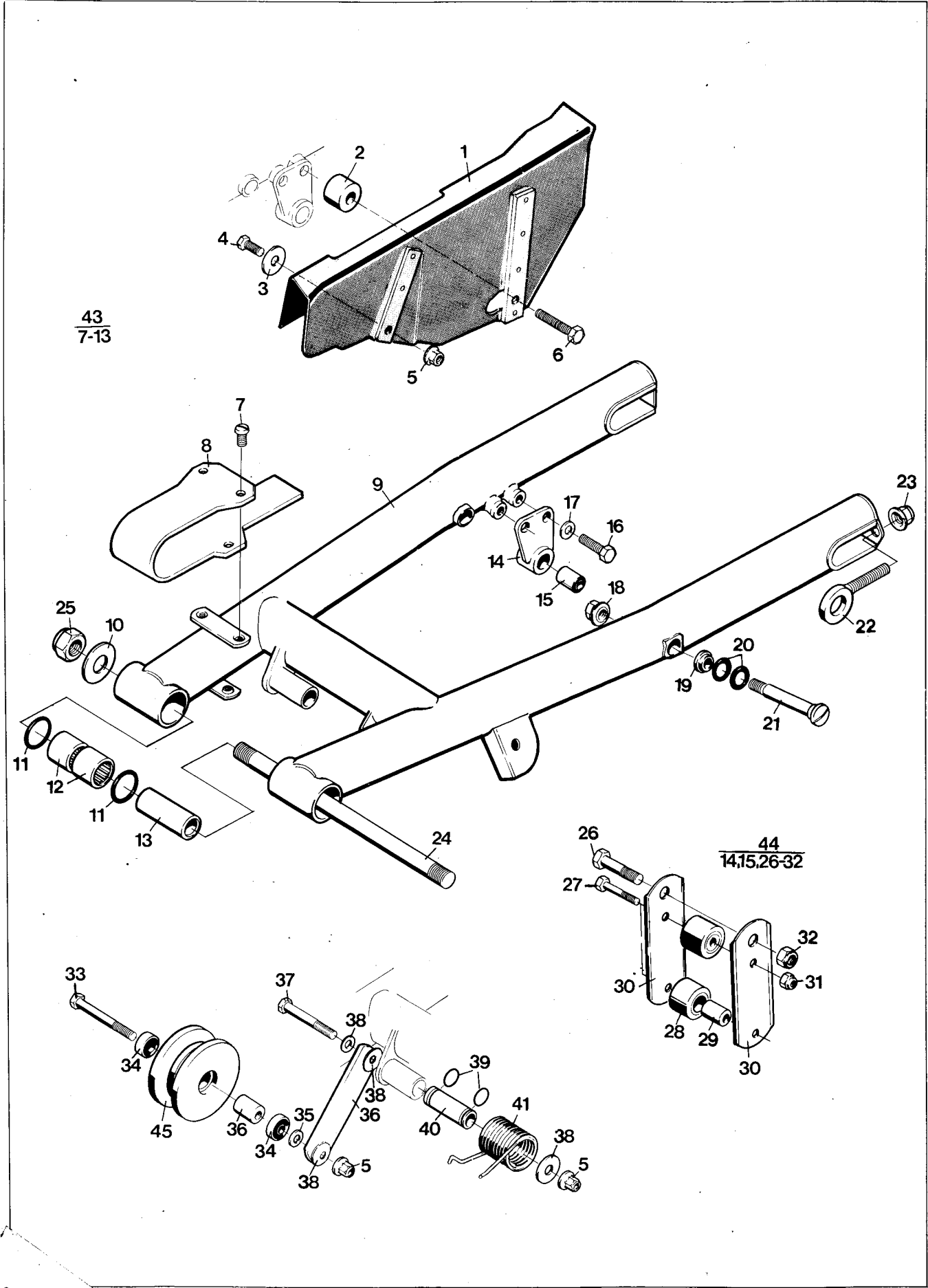
| Fig. | Part Number Detaljnummer | Quantity/Antal | | | | | | | | | | | | | Description Benämning |
|------|-----------------------------|----------------|----|----|-----|----|-----|----|----|-----|-----|----|----|----|---|
| | | 125 | | | 240 | | 250 | | | 500 | | | | | |
| | | CR | WR | XC | CR | WR | CR | WR | XC | WRE | WRU | CR | XC | AE | |
| 42 | 72 52 503-81 | 1 | 1 | 1 | 1 | 1 | 1 | 1 | 1 | 1 | 1 | 1 | 1 | 1 | Skruv M 10×60 Screw |
| 43 | 15 12 352-01 | 1 | 1 | 1 | 1 | 1 | 1 | 1 | 1 | 1 | 1 | 1 | 1 | 1 | Distans Distance |
| 44 | 15 12 351-01 | 2 | 2 | 2 | 2 | 2 | 2 | 2 | 2 | 2 | 2 | 2 | 2 | 2 | Dämpbussning Rubber element |
| 45 | 15 12 341-01 | 1 | 1 | 1 | 1 | 1 | 1 | 1 | 1 | 1 | 1 | 1 | 1 | 1 | Bricka Washer |
| 46 | 15 19 751-03 | 1 | | 1 | 1 | | 1 | | 1 | | | 1 | 1 | | Nummerskylt, gul Number plate yellow |
| | 15 19 751-01 | | | | | | | | | | | | | | Nummerskylt, vit Number plate white |
| | 15 19 751-02 | | | | | | | | | | | | | | Nummerskylt, grön Number plate green |
| 47 | 15 12 391-01 | 2 | 3 | 2 | 2 | 3 | 2 | 3 | 2 | 3 | 3 | 2 | 2 | 3 | Wirestyrare Wire guide |
| 48 | 15 19 532-06 | 2 | | 2 | 2 | | 2 | | 2 | | | 2 | 2 | 2 | Buntband Strip |
| 50 | 15 16 227-01 | 1 | 1 | 1 | 1 | 1 | 1 | 1 | 1 | 1 | 1 | 1 | 1 | 1 | Bromsstag Brakelink |
| 51 | 72 52 451-51 | 1 | 1 | 1 | 1 | 1 | 1 | 1 | 1 | 1 | 1 | 1 | 1 | 1 | Skruv M8×20 Screw |
| 52 | 73 22 118-01 | 2 | 2 | 2 | 2 | 2 | 2 | 2 | 2 | 2 | 2 | 2 | 2 | 2 | Mutter Nut |
| 53 | 15 12 315-01 | 1 | 1 | 1 | 1 | 1 | 1 | 1 | 1 | 1 | 1 | 1 | 1 | 1 | Vajerfäste Wire attachment |
| 54 | 73 41 153-01 | 8 | 8 | 8 | 8 | 8 | 8 | 8 | 8 | 8 | 8 | 8 | 8 | 8 | Bricka Washer |

Sving Swingarm



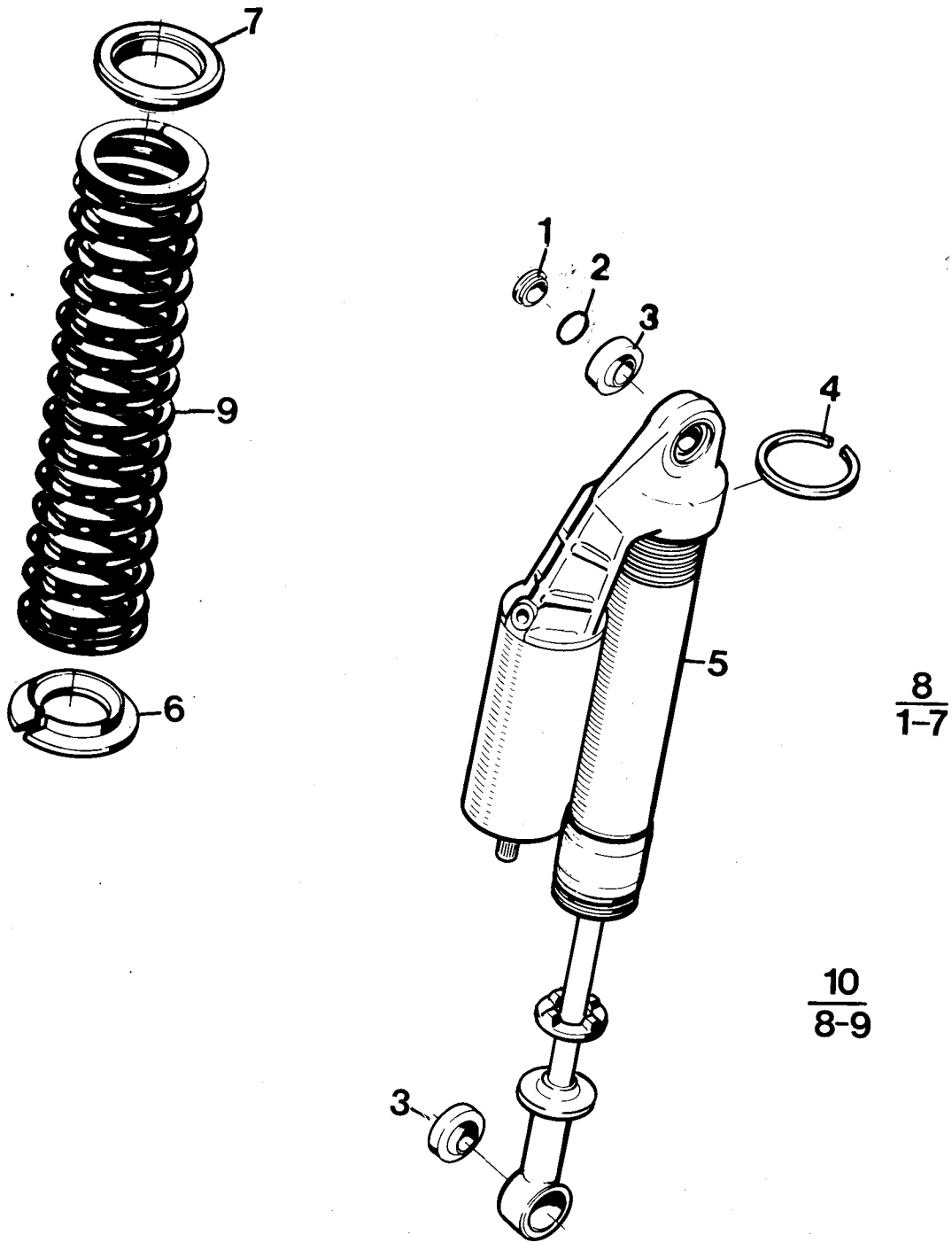
| Fig. | Part Number Detaljnummer | Quantity/Antal | | | | | | | | | | | | | Description Benämning | |
|------|-----------------------------|----------------|----|----|-----|----|-----|----|----|-----|-----|----|----|----|--------------------------|---|
| | | 125 | | | 240 | | 250 | | | 500 | | | | | | |
| | | CR | WR | XC | CR | WR | CR | WR | XC | WRE | WRU | CR | XC | AE | | |
| 1 | 15 18 223-01 | | 1 | | | 1 | | | 1 | | 1 | | 1 | | 1 | Kedjeskydd Chainguard |
| 2 | 15 15 457-01 | | 1 | | | 1 | | | 1 | | 1 | | 1 | | 1 | Distans Spacer |
| 3 | 15 13 709-01 | | 1 | | | 1 | | | 1 | | 1 | | 1 | | 1 | Bricka 6.5 x 22 Washer |
| 4 | 72 52 368-51 | | 1 | | | 1 | | | 1 | | 1 | | 1 | | 1 | Skruv M6 x 16 Screw |
| 5 | 73 22 116-01 | | 1 | | | 1 | | | 1 | | 1 | | 1 | | 1 | Mutter M6 Nut |
| 6 | 72 52 457-51 | | 1 | | | 1 | | | 1 | | 1 | | 1 | | 1 | Skruv M8 x 35 Screw |
| 7 | 72 31 362-01 | 4 | 4 | 4 | 4 | 4 | 4 | 4 | 4 | 4 | 4 | 4 | 4 | 4 | 4 | Skruv M6 x 8 Screw |
| 8 | 15 10 906-01 | 1 | 1 | 1 | 1 | 1 | 1 | 1 | 1 | 1 | 1 | 1 | 1 | 1 | 1 | Slitskydd Wear cover |
| 10 | 15 10 621-01 | 2 | 2 | 2 | 2 | 2 | 2 | 2 | 2 | 2 | 2 | 2 | 2 | 2 | 2 | Bricka Washer |
| 11 | 74 04 810-04 | 4 | 4 | 4 | 4 | 4 | 4 | 4 | 4 | 4 | 4 | 4 | 4 | 4 | 4 | O-ring 18.64 x 3.53 |
| 12 | 15 10 607-01 | 4 | 4 | 4 | 4 | 4 | 4 | 4 | 4 | 4 | 4 | 4 | 4 | 4 | 4 | Nålhylsa Needle bearing |
| 13 | 15 10 778-01 | 2 | 2 | 2 | 2 | 2 | 2 | 2 | 2 | 2 | 2 | 2 | 2 | 2 | 2 | Distans Spacer |
| 14 | 15 15 500-01 | 1 | 1 | 1 | 1 | 1 | 1 | 1 | 1 | 1 | 1 | 1 | 1 | 1 | 1 | Fäste, kedjestyrare Att. chain guide |
| 15 | 15 15 506-01 | 1 | 1 | 1 | 1 | 1 | 1 | 1 | 1 | 1 | 1 | 1 | 1 | 1 | 1 | Bussning Bushing |
| 16 | 72 52 451-51 | 2 | 1 | 2 | 2 | 1 | 2 | 1 | 2 | 1 | 1 | 2 | 2 | 2 | 2 | Skruv M8 x 20 Screw |
| 17 | 73 41 164-01 | 2 | 1 | 2 | 2 | 1 | 2 | 1 | 2 | 1 | 1 | 2 | 2 | 2 | 2 | Bricka 8.4 x 17 Washer |
| 18 | 73 22 120-01 | 2 | 2 | 2 | 2 | 2 | 2 | 2 | 2 | 2 | 2 | 2 | 2 | 2 | 2 | Mutter M10 Nut |
| 19 | 15 11 048-01 | 6 | 6 | 6 | 6 | 6 | 6 | 6 | 6 | 6 | 6 | 6 | 6 | 6 | 6 | Distans Spacer |
| 20 | 15 11 106-01 | 4 | 4 | 4 | 4 | 4 | 4 | 4 | 4 | 4 | 4 | 4 | 4 | 4 | 4 | O-ring 14.0 x 4.0 |
| 21 | 15 11 097-01 | 2 | 2 | 2 | 2 | 2 | 2 | 2 | 2 | 2 | 2 | 2 | 2 | 2 | 2 | Fästbult Att. bolt |
| 22 | 15 10 730-01 | 2 | 2 | 2 | 2 | 2 | 2 | 2 | 2 | 2 | 2 | 2 | 2 | 2 | 2 | Kedjesträckare Chaintensionier |
| 23 | 15 13 707-01 | 2 | 2 | 2 | 2 | 2 | 2 | 2 | 2 | 2 | 2 | 2 | 2 | 2 | 2 | Mutter M8 Nut |
| 24 | 15 10 774-01 | 1 | 1 | 1 | 1 | 1 | 1 | 1 | 1 | 1 | 1 | 1 | 1 | 1 | 1 | Fästbult Att. bolt |
| 25 | 15 13 705-01 | 2 | 2 | 2 | 2 | 2 | 2 | 2 | 2 | 2 | 2 | 2 | 2 | 2 | 2 | Mutter M12 x 1 Nut |
| 26 | 72 52 457-51 | 1 | 1 | 1 | 1 | 1 | 1 | 1 | 1 | 1 | 1 | 1 | 1 | 1 | 1 | Skruv M8 x 35 Screw |
| 27 | 72 52 376-51 | 2 | 2 | 2 | 2 | 2 | 2 | 2 | 2 | 2 | 2 | 2 | 2 | 2 | 2 | Skruv M6 x 35 Screw |
| 28 | 15 15 412-01 | 2 | 2 | 2 | 2 | 2 | 2 | 2 | 2 | 2 | 2 | 2 | 2 | 2 | 2 | Rulle Roller |
| 29 | 15 15 413-01 | 2 | 2 | 2 | 2 | 2 | 2 | 2 | 2 | 2 | 2 | 2 | 2 | 2 | 2 | Distans Spacer |
| 31 | 73 22 116-01 | 2 | 2 | 2 | 2 | 2 | 2 | 2 | 2 | 2 | 2 | 2 | 2 | 2 | 2 | Mutter M6 Nut |
| 32 | 73 22 118-01 | 1 | 1 | 1 | 1 | 1 | 1 | 1 | 1 | 1 | 1 | 1 | 1 | 1 | 1 | Mutter M8 Nut |
| 33 | 72 52 381-51 | 1 | 1 | 1 | 1 | 1 | 1 | 1 | 1 | 1 | 1 | 1 | 1 | 1 | 1 | Skruv M6 x 55 Screw |
| 34 | 73 82 296-19 | 2 | 2 | 2 | 2 | 2 | 2 | 2 | 2 | 2 | 2 | 2 | 2 | 2 | 2 | Lager G26 - 2 RS Bearing |
| 35 | 73 41 153-01 | 1 | 1 | 1 | 1 | 1 | 1 | 1 | 1 | 1 | 1 | 1 | 1 | 1 | 1 | Bricka 6.4 x 12 Washer |
| 36 | 15 15 455-01 | 1 | 1 | 1 | 1 | 1 | 1 | 1 | 1 | 1 | 1 | 1 | 1 | 1 | 1 | Distans Spacer |
| 37 | 72 52 383-51 | 1 | 1 | 1 | 1 | 1 | 1 | 1 | 1 | 1 | 1 | 1 | 1 | 1 | 1 | Skruv M6 x 65 Screw |
| 38 | 15 13 709-01 | 4 | 4 | 4 | 4 | 4 | 4 | 4 | 4 | 4 | 4 | 4 | 4 | 4 | 4 | Bricka 6.5 x 22 Washer |
| 39 | 74 04 209-00 | 2 | 2 | 2 | 2 | 2 | 2 | 2 | 2 | 2 | 2 | 2 | 2 | 2 | 2 | O-ring 11.1 x 1.6 |
| 40 | 15 15 453-01 | 1 | 1 | 1 | 1 | 1 | 1 | 1 | 1 | 1 | 1 | 1 | 1 | 1 | 1 | Distans Spacer |
| 41 | 15 15 454-01 | 1 | 1 | 1 | 1 | 1 | 1 | 1 | 1 | 1 | 1 | 1 | 1 | 1 | 1 | Fjäder Spring |

Sving Swingarm

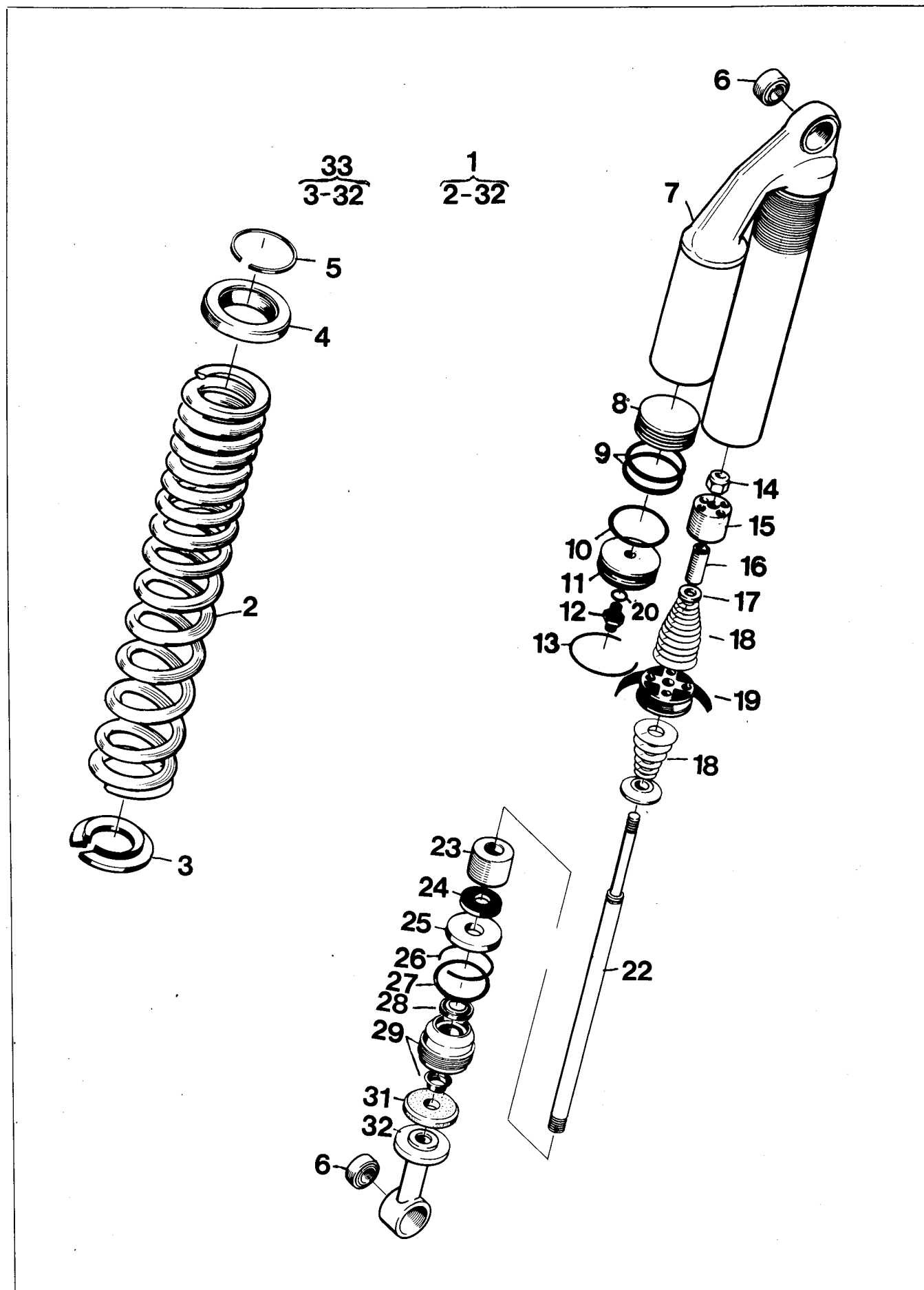


| Fig. | Part Number Detaljnummer | Quantity/Antal | | | | | | | | | | | | | Description Benämning | |
|------|-----------------------------|----------------|----|----|-----|----|-----|----|----|-----|-----|----|----|----|--------------------------|--|
| | | 125 | | | 240 | | 250 | | | 500 | | | | | | |
| | | CR | WR | XC | CR | WR | CR | WR | XC | WRE | WRU | CR | XC | AE | | |
| 43 | 15 11 052-01 | 1 | | | 1 | | 1 | | | | | | 1 | | | Bakgaffel, kpl. Rear fork, compl. |
| | 15 11 052-02 | | | 1 | | | | | 1 | | | | | 1 | | Bakgaffel, kpl. Rear fork, compl. |
| | 15 11 063-01 | | 1 | | | 1 | | 1 | | 1 | 1 | | | | 1 | Bakgaffel, kpl. Rear fork, compl. |
| 44 | 15 15 505-01 | 1 | 1 | 1 | 1 | 1 | 1 | 1 | 1 | 1 | 1 | 1 | 1 | 1 | 1 | Kedjestyrares, kpl. Chain guide, compl. |
| 45 | 15 15 451-01 | 1 | 1 | 1 | 1 | 1 | 1 | 1 | 1 | 1 | 1 | 1 | 1 | 1 | 1 | Kedjespännrulle Chain roller |

Stötdämpare
Shock absorber

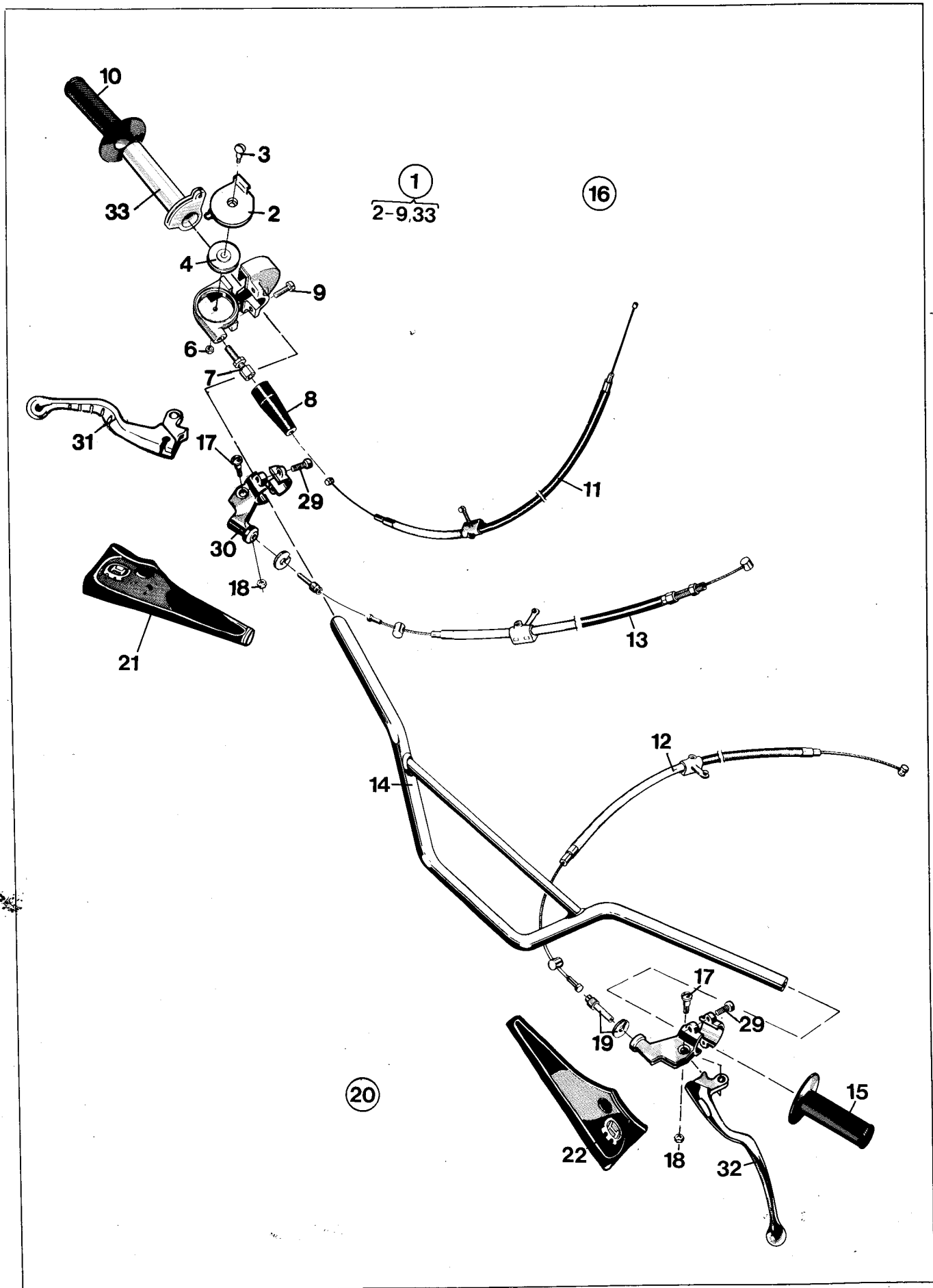


| Fig. | Part Number Detaljnummer | Quantity/Antal | | | | | | | | | | | | | Description Benämning |
|------|-----------------------------|----------------|----|----|-----|----|-----|----|----|-----|-----|----|----|----|--|
| | | 125 | | | 240 | | 250 | | | 500 | | | | | |
| | | CR | WR | XC | CR | WR | CR | WR | XC | WRE | WRU | CR | XC | AE | |
| 1 | 15 11 048-01 | | | | 6 | | 6 | | | 6 | 6 | 6 | 6 | 6 | Distans Spacer |
| 2 | 15 11 106-01 | | | | 8 | | 8 | | | 8 | 8 | 8 | 8 | 8 | O-ring O-ring 14.0 x 4.0 |
| 3 | 15 10 706-01 | | | | 4 | | 4 | | | 4 | 4 | 4 | 4 | 4 | Kulled Ball joint |
| 4 | 15 10 733-01 | | | | 2 | | 2 | | | 2 | 2 | 2 | 2 | 2 | Låsring Circlip |
| 6 | 15 10 704-01 | | | | 2 | | 2 | | | 2 | 2 | 2 | 2 | 2 | Fjäder clips Spring clips |
| 7 | 15 10 705-01 | | | | 2 | | 2 | | | 2 | 2 | 2 | 2 | 2 | Fjäder clips Spring clips |
| 8 | 15 11 099-01 | | | | | | | | | 2 | 2 | | | 2 | Stötdämpare utan fjäder Chock absorber without spring |
| | 15 11 050-01 | | | | 2 | | 2 | | | | | 2 | 2 | | Stötdämpare utan fjäder Shock absorber without spring |
| 9 | 15 11 117-01 | | | | 2 | | 2 | | | 2 | 2 | 2 | 2 | 2 | Fjäder Spring |
| 10 | 15 11 098-01 | | | | | | | | | 2 | 2 | | | 2 | Stötdämpare, kpl. Shock absorber, compl. |
| | 15 11 053-01 | | | | 2 | | 2 | | | | | 2 | 2 | | Stötdämpare, kpl. Shock absorber, compl. |



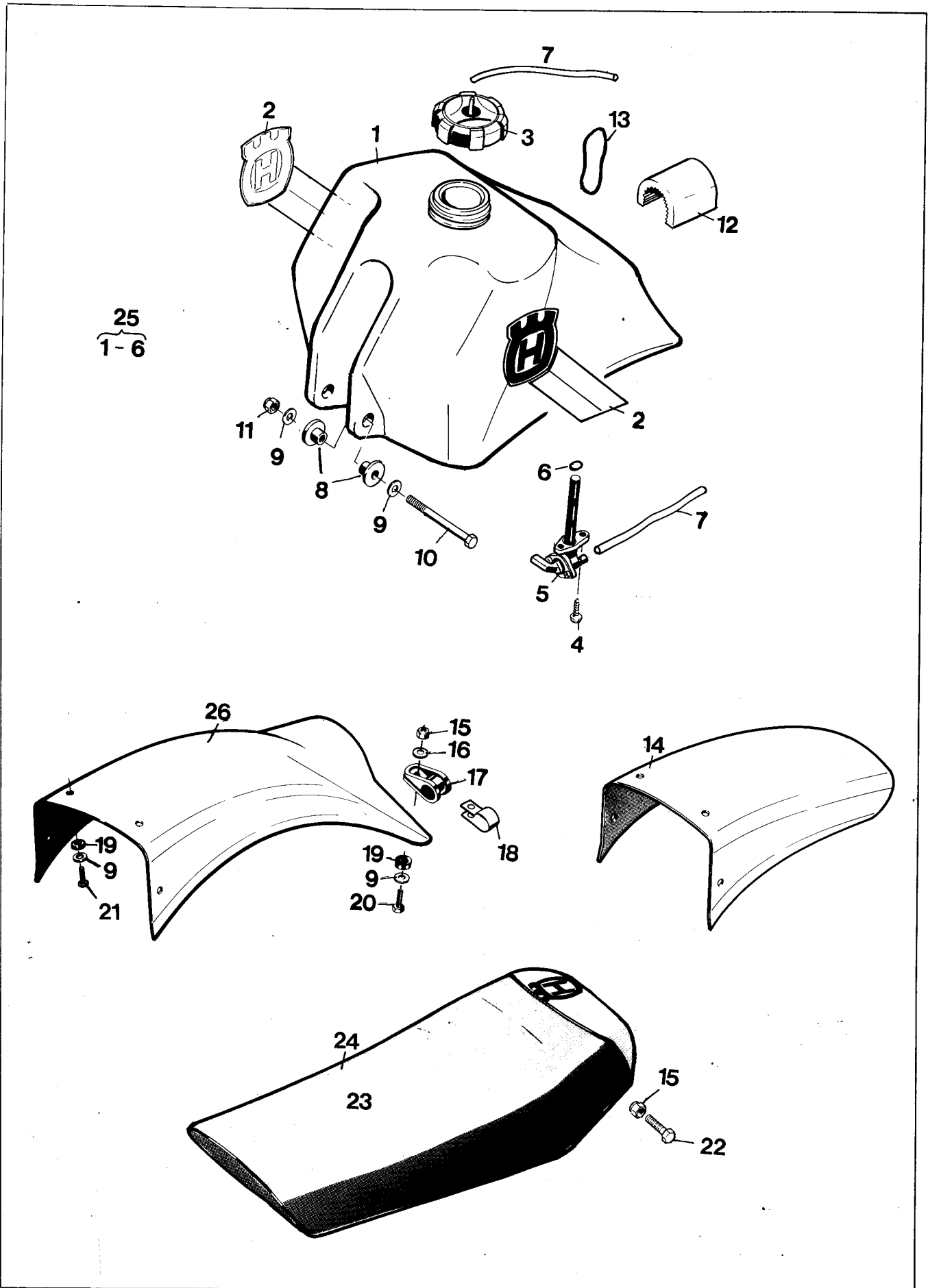
| Fig. | Part Number Detaljnummer | Quantity/Antal | | | | | | | | | | | | | Description Benämning | | |
|------|-----------------------------|----------------|----|----|-----|----|-----|----|----|-----|-----|----|----|----|--------------------------|--|---|
| | | 125 | | | 240 | | 250 | | | 500 | | | | | | | |
| | | CR | WR | XC | CR | WR | CR | WR | XC | WRE | WRU | CR | XC | AE | | | |
| N | 1 | 15 11 056-01 | 2 | | 2 | | | | | 2 | | | | | | | Stötdämpare kpl. med fjäder Shock compl with spring |
| N | | 15 11 134-01 | | 2 | | | 2 | | 2 | | | | | | | | Stötdämpare kpl. med fjäder Shock compl. with spring |
| | 2 | 15 11 117-01 | 2 | 2 | 2 | | 2 | | 2 | 2 | | | | | | | Fjäder Spring |
| N | 3 | 15 11 157-01 | 1 | 1 | 1 | | 1 | | 1 | 1 | | | | | | | Fjäder clips Spring clip |
| | 4 | 15 11 156-01 | 1 | 1 | 1 | | 1 | | 1 | 1 | | | | | | | Fjäder clips Spring clip |
| | 5 | 15 10 986-01 | 1 | 1 | 1 | | 1 | | 1 | 1 | | | | | | | Låsring Circlip |
| | 6 | 15 10 978-01 | 2 | 2 | 2 | | 2 | | 2 | 2 | | | | | | | Kulled Ball joint |
| N | 8 | 15 11 164-01 | 1 | 1 | 1 | | 1 | | 1 | 1 | | | | | | | Kolv Piston |
| N | 9 | 15 11 165-01 | 2 | 2 | 2 | | 2 | | 2 | 2 | | | | | | | O-ring |
| N | 10 | 15 11 163-01 | 1 | 1 | 1 | | 1 | | 1 | 1 | | | | | | | O-ring |
| N | 11 | 15 11 162-01 | 1 | 1 | 1 | | 1 | | 1 | 1 | | | | | | | Lock Cap |
| N | 12 | 15 11 159-01 | 1 | 1 | 1 | | 1 | | 1 | 1 | | | | | | | Ventil Valve |
| N | 13 | 15 11 161-01 | 1 | 1 | 1 | | 1 | | 1 | 1 | | | | | | | Låsring Circlip |
| | 14 | 73 22 118-01 | 1 | 1 | 1 | | 1 | | 1 | 1 | | | | | | | Mutter M8 Nut |
| N | 19 | 15 11 183-01 | 1 | 1 | 1 | | 1 | | 1 | 1 | | | | | | | Teflonband |
| N | 20 | 15 11 160-01 | 1 | 1 | 1 | | 1 | | 1 | 1 | | | | | | | O-ring |
| N | 22 | 15 11 169-01 | 1 | 1 | 1 | | 1 | | 1 | 1 | | | | | | | Kolvstång Shaft |
| N | 24 | 15 11 174-01 | 1 | 1 | 1 | | 1 | | 1 | 1 | | | | | | | Gummbricka Gummi washer |
| N | 26 | 15 11 178-01 | 1 | 1 | 1 | | 1 | | 1 | 1 | | | | | | | Låsring Circlip |
| N | 27 | 15 11 171-01 | 1 | 1 | 1 | | 1 | | 1 | 1 | | | | | | | O-ring |
| N | 28 | 15 11 172-01 | 1 | 1 | 1 | | 1 | | 1 | 1 | | | | | | | Tätning Seal |
| N | 29 | 15 11 173-01 | 1 | 1 | 1 | | 1 | | 1 | 1 | | | | | | | Tätningshållare Seal holder |
| N | 31 | 15 11 168-01 | 1 | 1 | 1 | | 1 | | 1 | 1 | | | | | | | Bumbrubber |
| N | 32 | 15 11 167-01 | 1 | 1 | 1 | | 1 | | 1 | 1 | | | | | | | Fästögla Lower mounting eye |
| N | 33 | 15 11 057-01 | 2 | | 2 | | | | | 2 | | | | | | | Stötdämpare Shock absorber |
| N | | 15 11 145-01 | | 2 | | | 2 | | 2 | | | | | | | | Stötdämpare Shock absorber |

Styre Handlebar



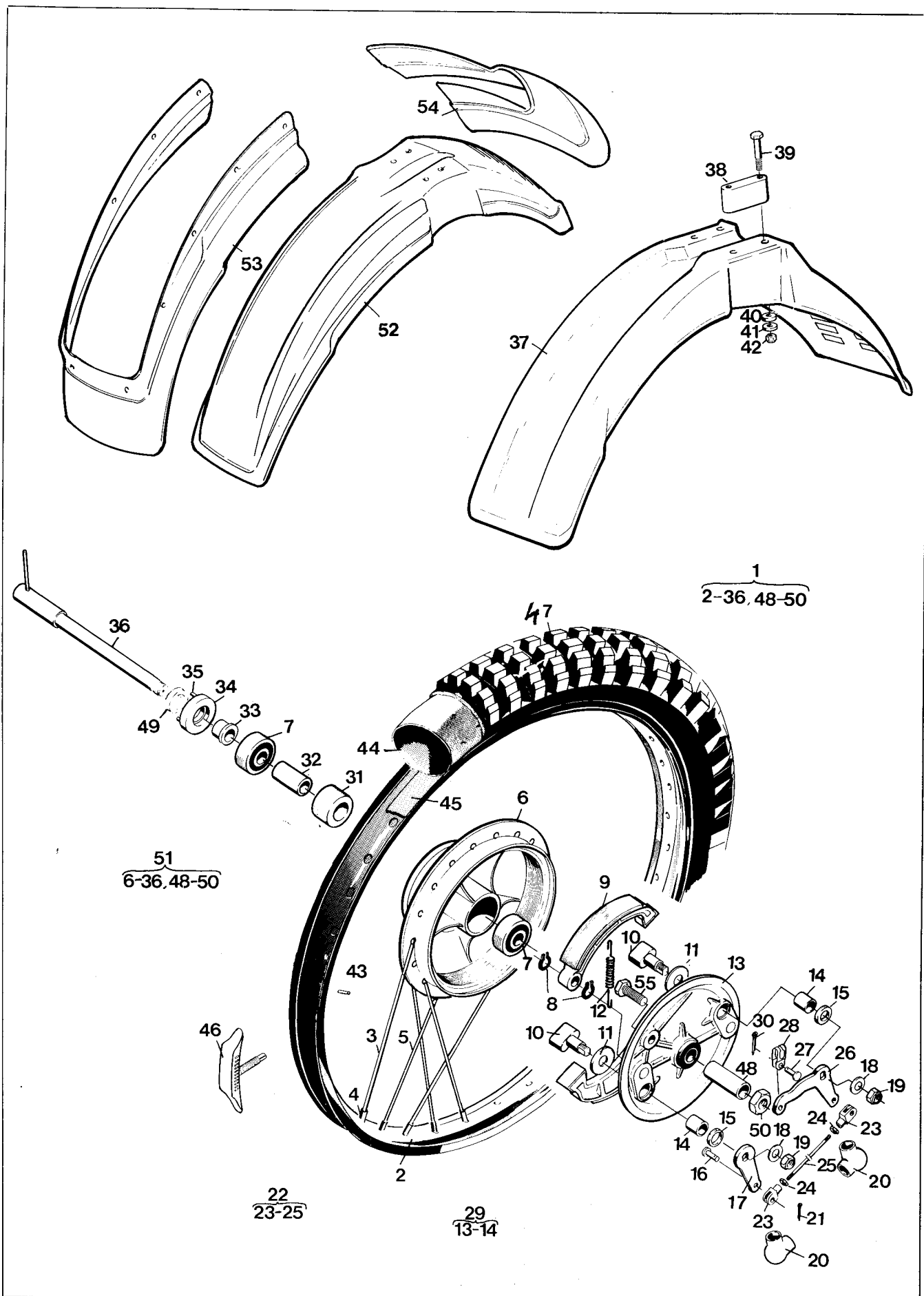
| Fig. | Part Number Detaljnummer | Quantity/Antal | | | | | | | | | | | | | Description Benämning | | | |
|------|------------------------------|----------------|----|----|-----|----|-----|----|----|-----|-----|----|----|----|--------------------------|---|---|--|
| | | 125 | | | 240 | | 250 | | | 500 | | | | | | | | |
| | | CR | WR | XC | CR | WR | CR | WR | XC | WRE | WRU | CR | XC | AE | | | | |
| 1 | 15 15 325-01 15 15 325-02 | 1 | 1 | 1 | 1 | 1 | 1 | 1 | 1 | 1 | 1 | | | | 1 | 1 | 1 | Gashandtag, kpl. Throttle handle compl. Gashandtag, kpl. Throttle handle compl. |
| 2 | 15 15 326-01 | 1 | 1 | 1 | 1 | 1 | 1 | 1 | 1 | 1 | 1 | 1 | 1 | 1 | 1 | 1 | 1 | Skyddslock Protect washer |
| 3 | 15 15 322-01 | 1 | 1 | 1 | 1 | 1 | 1 | 1 | 1 | 1 | 1 | 1 | 1 | 1 | 1 | 1 | 1 | Skruv Screw |
| 4 | 15 15 283-01 | 1 | 1 | 1 | 1 | 1 | 1 | 1 | 1 | 1 | 1 | 1 | 1 | 1 | 1 | 1 | 1 | Bryrulle Plastic roller |
| 6 | 73 22 112-01 | 1 | 1 | 1 | 1 | 1 | 1 | 1 | 1 | 1 | 1 | 1 | 1 | 1 | 1 | 1 | 1 | Låsmutter M4 Nut |
| 7 | 15 15 261-01 | 1 | 1 | 1 | 1 | 1 | 1 | 1 | 1 | 1 | 1 | 1 | 1 | 1 | 1 | 1 | 1 | Justernippel Nipple |
| 8 | 15 15 262-01 | 1 | 1 | 1 | 1 | 1 | 1 | 1 | 1 | 1 | 1 | 1 | 1 | 1 | 1 | 1 | 1 | Skyddshylsa Protecting sleeve |
| 9 | 72 31 329-51 | 2 | 2 | 2 | 2 | 2 | 2 | 2 | 2 | 2 | 2 | 2 | 2 | 2 | 2 | 2 | 2 | Skruv M5x16 Screw |
| 10 | 15 15 266-01 | 1 | 1 | 1 | 1 | 1 | 1 | 1 | 1 | 1 | 1 | 1 | 1 | 1 | 1 | 1 | 1 | Gummihandtag, höger Rubber handle right |
| 11 | 15 15 277-01 15 15 277-02 | 1 | 1 | 1 | 1 | 1 | 1 | 1 | 1 | 1 | 1 | | | | 1 | 1 | 1 | Gaswire, kpl. Trottle wire |
| 12 | 15 15 308-01 15 15 308-02 | 1 | 1 | 1 | | | | | | | | | | | | | | Frikopplingswire, kpl. Declutching wire |
| 13 | 15 15 022-01 15 15 022-02 | 1 | | 1 | 1 | | | | | | | | | | 1 | 1 | | Bromswire, kpl. Brake wire |
| 14 | 15 13 148-01 | 1 | 1 | 1 | 1 | 1 | 1 | 1 | 1 | 1 | 1 | 1 | 1 | 1 | 1 | 1 | 1 | Styrstång Handle bar |
| 15 | 15 15 265-01 | 1 | 1 | 1 | 1 | 1 | 1 | 1 | 1 | 1 | 1 | 1 | 1 | 1 | 1 | 1 | 1 | Gummihandtag, vänster Rubber handle left |
| 16 | 15 15 323-01 | 1 | 1 | 1 | 1 | 1 | 1 | 1 | 1 | 1 | 1 | 1 | 1 | 1 | 1 | 1 | 1 | Bromshandtag kpl. Brake handle compl. |
| 17 | 12 13 810-01 | 2 | 2 | 2 | 2 | 2 | 2 | 2 | 2 | 2 | 2 | 2 | 2 | 2 | 2 | 2 | 2 | Ansattsskruv Screw |
| 18 | 73 14 316-01 | 2 | 2 | 2 | 2 | 2 | 2 | 2 | 2 | 2 | 2 | 2 | 2 | 2 | 2 | 2 | 2 | Mutter Nut |
| 19 | 12 13 821-01 | 2 | 2 | 2 | 2 | 2 | 2 | 2 | 2 | 2 | 2 | 2 | 2 | 2 | 2 | 2 | 2 | Kabelspännskruv Cable adjusting screw |
| 20 | 15 15 314-01 | 1 | 1 | 1 | 1 | 1 | 1 | 1 | 1 | 1 | 1 | 1 | 1 | 1 | 1 | 1 | 1 | Kopplingshandtag, kpl. Declutching handle compl. |
| 21 | 15 13 055-01 | 1 | 1 | 1 | 1 | 1 | 1 | 1 | 1 | 1 | 1 | 1 | 1 | 1 | 1 | 1 | 1 | Handtagsskydd, höger Handle protector right |
| 22 | 15 13 056-01 | 1 | 1 | 1 | 1 | 1 | 1 | 1 | 1 | 1 | 1 | 1 | 1 | 1 | 1 | 1 | 1 | Handtagsskydd, vänster Handle protector left |
| 29 | 72 31 368-01 | 4 | 4 | 4 | 4 | 4 | 4 | 4 | 4 | 4 | 4 | 4 | 4 | 4 | 4 | 4 | 4 | Skruv Screw |

Bränsletank - Sadel - Bakskärm
Fuel tank - Saddle - Mudguard



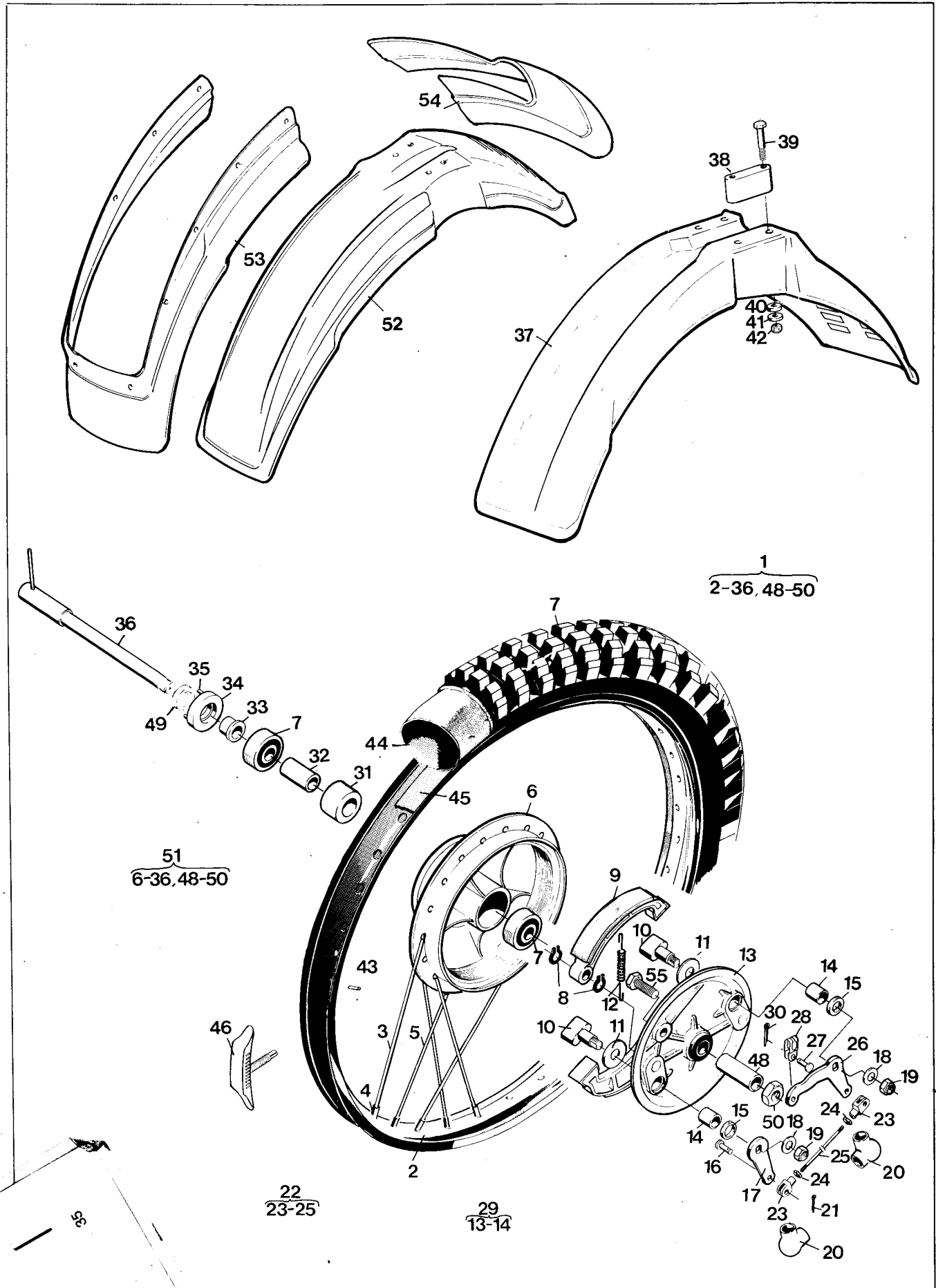
| Fig. | Part Number Detaljnummer | Quantity/Antal | | | | | | | | | | | | | Description Benämning |
|------|-----------------------------|----------------|----|----|-----|----|-----|----|----|-----|-----|----|----|----|----------------------------------|
| | | 125 | | | 240 | | 250 | | | 500 | | | | | |
| | | CR | WR | XC | CR | WR | CR | WR | XC | WRE | WRU | CR | XC | AE | |
| N 2 | 15 17 485-01 | 1 | 1 | 1 | 1 | 1 | 1 | 1 | 1 | 1 | 1 | 1 | 1 | 1 | Tankdekalssats Tank decal set |
| 3 | 15 14 108-01 | 1 | 1 | 1 | 1 | 1 | 1 | 1 | 1 | 1 | 1 | 1 | 1 | 1 | Tanklock Tank cap |
| 4 | 15 14 110-01 | 2 | 2 | 2 | 2 | 2 | 2 | 2 | 2 | 2 | 2 | 2 | 2 | 2 | Skruv Screw |
| 5 | 15 14 109-01 | 1 | 1 | 1 | 1 | 1 | 1 | 1 | 1 | 1 | 1 | 1 | 1 | 1 | Bensinkran Petcock |
| 6 | 74 04 811-02 | 1 | 1 | 1 | 1 | 1 | 1 | 1 | 1 | 1 | 1 | 1 | 1 | 1 | O-ring |
| 7 | 15 14 057-01 | 1 | 1 | 1 | 1 | 1 | 1 | 1 | 1 | 1 | 1 | 1 | 1 | 1 | Bensinslang Petrol hose |
| 8 | 15 14 107-01 | 4 | 4 | 4 | 4 | 4 | 4 | 4 | 4 | 4 | 4 | 4 | 4 | 4 | Bussning Bushing |
| 9 | 15 13 709-01 | 2 | 2 | 2 | 2 | 2 | 2 | 2 | 2 | 2 | 2 | 2 | 2 | 2 | Bricka Washer |
| 10 | 72 55 392-01 | 1 | 1 | 1 | 1 | 1 | 1 | 1 | 1 | 1 | 1 | 1 | 1 | 1 | Skruv M6×110 Screw |
| 11 | 15 13 706-01 | 1 | 1 | 1 | 1 | 1 | 1 | 1 | 1 | 1 | 1 | 1 | 1 | 1 | Mutter M6 Nut |
| 12 | 15 14 091-01 | 2 | 2 | 2 | 2 | 2 | 2 | 2 | 2 | 2 | 2 | 2 | 2 | 2 | Tankstöd Support |
| N 13 | 74 04 825-19 | 1 | 1 | 1 | 1 | 1 | 1 | 1 | 1 | 1 | 1 | 1 | 1 | 1 | O-ring |
| 14 | 15 13 574-01 | 1 | | 1 | 1 | | 1 | | 1 | | 1 | | 1 | | Bakskärm Rear fender |
| 15 | 72 22 116-01 | | 6 | 6 | | 6 | | 6 | 6 | 6 | 6 | | 6 | 6 | Mutter M6 Nut |
| 16 | 73 41 153-01 | | 4 | 4 | | 4 | | 4 | 4 | 4 | 4 | | 4 | 4 | Bricka Washer |
| 17 | 15 18 137-01 | | 4 | 4 | | 4 | | 4 | 4 | 4 | 4 | | 4 | 4 | Fäste Clamp |
| 18 | 15 18 181-01 | | 4 | | | 4 | | 4 | | 4 | 4 | | | 4 | Plåtklamma Clamp |
| 19 | 15 18 121-01 | 4 | 4 | 4 | 4 | 4 | 4 | 4 | 4 | 4 | 4 | 4 | 4 | 4 | Gummibricka Rubber washer |
| 20 | 72 52 372-51 | | 4 | 4 | | 4 | | 4 | 4 | 4 | 4 | | 4 | 4 | Skruv M6×25 Screw |
| 21 | 72 52 370-53 | 4 | | | 4 | | 4 | | | | | | 4 | | Skruv M6×20 Screw |
| 22 | 72 52 374-51 | 2 | 2 | 2 | 2 | 2 | 2 | 2 | 2 | 2 | 2 | 2 | 2 | 2 | Skruv M6×30 Screw |
| N 23 | 15 13 577-01 | 1 | 1 | 1 | 1 | 1 | 1 | 1 | 1 | 1 | 1 | 1 | 1 | 1 | Sadel Seat |
| N 24 | 15 13 578-01 | 1 | 1 | 1 | 1 | 1 | 1 | 1 | 1 | 1 | 1 | 1 | 1 | 1 | Sadelöverdrag Seat cover |
| N 25 | 15 14 115-01 | 1 | 1 | 1 | 1 | 1 | | | 1 | | | | | | Tank, 11 lit. Petrol tank |
| N | 15 14 113-01 | | | | | | | 1 | 1 | | 1 | 1 | 1 | 1 | Tank, 12,5 lit. Petrol tank |
| 26 | 15 18 180-01 | | 1 | | | 1 | | 1 | 1 | 1 | | | | 1 | Bakskärm Rear fender |

Framhjul
Front wheel



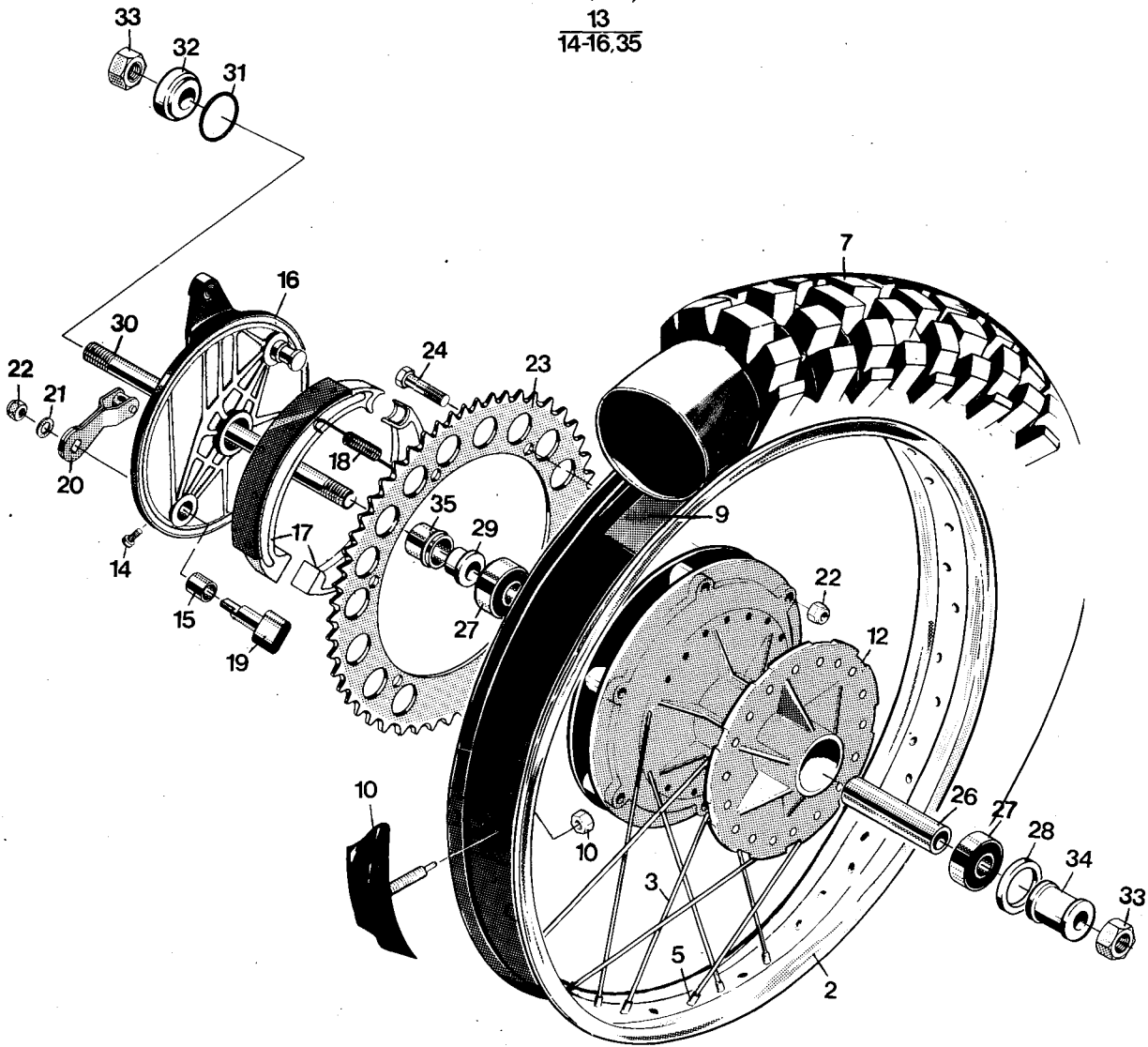
| Fig. | Part Number Detaljnummer | Quantity/Antal | | | | | | | | | | | | | Description Benämning |
|------|------------------------------|----------------|-----|----|-----|----|-----|----|----|-----|-----|----|----|----|---|
| | | 125 | | | 240 | | 250 | | | 500 | | | | | |
| | | CR | WR | XC | CR | WR | CR | WR | XC | WRE | WRU | CR | XC | AE | |
| 1 | 15 16 244-01 | 1 | 1 | 1 | 1 | 1 | 1 | 1 | 1 | 1 | 1 | 1 | 1 | 1 | Framhjul, kpl. utan gummi Front wheel without rubber |
| 2 | 15 16 273-01 | 1 | 1 | 1 | 1 | 1 | 1 | 1 | 1 | 1 | 1 | 1 | 1 | 1 | Fälg 1.60 x 21" Rim |
| 3 | 15 16 218-03 | 18 | 18 | 18 | 18 | 18 | 18 | 18 | 18 | 18 | 18 | 18 | 18 | 18 | Eker L = 227. Spoke |
| 4 | 15 16 219-01 | 36 | 36 | 36 | 36 | 36 | 36 | 36 | 36 | 36 | 36 | 36 | 36 | 36 | Nippel Nipple |
| 5 | 15 16 218-05 | 18 | 118 | 18 | 18 | 18 | 18 | 18 | 18 | 18 | 18 | 18 | 18 | 18 | Eker L = 240 Spoke |
| 6 | 15 16 301-01 | 1 | 1 | 1 | 1 | 1 | 1 | 1 | 1 | 1 | 1 | 1 | 1 | 1 | Navhylsa Hub |
| 7 | 73 82 302-34 | 2 | 2 | 2 | 2 | 2 | 2 | 2 | 2 | 2 | 2 | 2 | 2 | 2 | Lager 6302 - 2 RS Bearing |
| 8 | 73 53 114-00 | 4 | 4 | 4 | 4 | 4 | 4 | 4 | 4 | 4 | 4 | 4 | 4 | 4 | Spårring SGA 12 Circlip |
| 9 | 15 16 278-01 | 2 | 2 | 2 | 2 | 2 | 2 | 2 | 2 | 2 | 2 | 2 | 2 | 2 | Bromsback Brake shoe |
| 10 | 15 16 283-01 | 2 | 2 | 2 | 2 | 2 | 2 | 2 | 2 | 2 | 2 | 2 | 2 | 2 | Excenter |
| 11 | 15 16 836-01 | 2 | 2 | 2 | 2 | 2 | 2 | 2 | 2 | 2 | 2 | 2 | 2 | 2 | Bricka Washer |
| 12 | 15 16 547-01 | 2 | 2 | 2 | 2 | 2 | 2 | 2 | 2 | 2 | 2 | 2 | 2 | 2 | Fjäder Spring |
| 14 | 15 16 281-01 | 2 | 2 | 2 | 2 | 2 | 2 | 2 | 2 | 2 | 2 | 2 | 2 | 2 | Bussning Bushing |
| 15 | 15 16 299-01 | 2 | 2 | 2 | 2 | 2 | 2 | 2 | 2 | 2 | 2 | 2 | 2 | 2 | Tätning Seal |
| 16 | 15 16 289-01 | 2 | 2 | 2 | 2 | 2 | 2 | 2 | 2 | 2 | 2 | 2 | 2 | 2 | Bult Bolt |
| 17 | 15 16 288-01 | 1 | 1 | 1 | 1 | 1 | 1 | 1 | 1 | 1 | 1 | 1 | 1 | 1 | Hävarm Lever |
| 18 | 73 41 164-01 | 2 | 2 | 2 | 2 | 2 | 2 | 2 | 2 | 2 | 2 | 2 | 2 | 2 | Bricka 8.4 x 17 Washer |
| 19 | 73 22 118-01 | 2 | 2 | 2 | 2 | 2 | 2 | 2 | 2 | 2 | 2 | 2 | 2 | 2 | Mutter M8 Nut |
| 20 | 15 16 298-01 | 2 | 2 | 2 | 2 | 2 | 2 | 2 | 2 | 2 | 2 | 2 | 2 | 2 | Dammskydd Cover |
| 21 | 72 16 150-01 | 2 | 2 | 2 | 2 | 2 | 2 | 2 | 2 | 2 | 2 | 2 | 2 | 2 | Pinne SP2 x 10 Pin |
| 22 | 15 16 285-01 | 1 | 1 | 1 | 1 | 1 | 1 | 1 | 1 | 1 | 1 | 1 | 1 | 1 | Gaffellänk, kpl. Link compl. |
| 26 | 15 16 284-01 | 1 | 1 | 1 | 1 | 1 | 1 | 1 | 1 | 1 | 1 | 1 | 1 | 1 | Hävarm Lever |
| 27 | 12 25 258 | 1 | 1 | 1 | 1 | 1 | 1 | 1 | 1 | 1 | 1 | 1 | 1 | 1 | Bult Bolt |
| 28 | 15 16 194-01 | 1 | 1 | 1 | 1 | 1 | 1 | 1 | 1 | 1 | 1 | 1 | 1 | 1 | Bygel Strop |
| 29 | 15 16 275-01 | 1 | 1 | 1 | 1 | 1 | 1 | 1 | 1 | 1 | 1 | 1 | 1 | 1 | Bromssköld, kpl. Brake plate, compl. |
| 30 | 72 16 150-01 | 1 | 1 | 1 | 1 | 1 | 1 | 1 | 1 | 1 | 1 | 1 | 1 | 1 | Pinne SP2 x 12 Pin |
| 31 | 15 16 215-01 | 1 | 1 | 1 | 1 | 1 | 1 | 1 | 1 | 1 | 1 | 1 | 1 | 1 | Distanshållare Spacer holder |
| 32 | 15 16 228-01 | 1 | 1 | 1 | 1 | 1 | 1 | 1 | 1 | 1 | 1 | 1 | 1 | 1 | Distans Spacer |
| 33 | 15 16 212-01 | 1 | 1 | 1 | 1 | 1 | 1 | 1 | 1 | 1 | 1 | 1 | 1 | 1 | Distans Spacer |
| 34 | 15 16 213-01 | 1 | 1 | 1 | 1 | 1 | 1 | 1 | 1 | 1 | 1 | 1 | 1 | 1 | Medbringare Drive |
| 35 | 72 14 207-00 | 2 | 2 | 2 | 2 | 2 | 2 | 2 | 2 | 2 | 2 | 2 | 2 | 2 | Pinne FRP 3 x 14 Pin |
| 36 | 15 16 255-01 15 16 255-02 | 1 | 1 | 1 | 1 | 1 | 1 | 1 | 1 | 1 | 1 | 1 | 1 | 1 | Axel, kpl. Shaft, compl. |
| 37 | 15 18 046-01 15 18 045-01 | | | | 1 | 1 | 1 | 1 | 1 | 1 | 1 | 1 | 1 | 1 | Framskärm Mud guard |
| 38 | 15 18 028-01 | 2 | 2 | 2 | 2 | 2 | 2 | 2 | 2 | 2 | 2 | 2 | 2 | 2 | Stöd Support |
| 39 | 72 52 382-51 | 4 | 4 | 4 | 4 | 4 | 4 | 4 | 4 | 4 | 4 | 4 | 4 | 4 | Skruv M6 x 60 Screw |
| 40 | 15 18 121-01 | 4 | 4 | 4 | 4 | 4 | 4 | 4 | 4 | 4 | 4 | 4 | 4 | 4 | Gummibricka Rubber washer |
| 41 | 73 44 926-01 | 4 | 4 | 4 | 4 | 4 | 4 | 4 | 4 | 4 | 4 | 4 | 4 | 4 | Bricka 6.7 x 16 Washer |
| 42 | 73 22 116-01 | 4 | 4 | 4 | 4 | 4 | 4 | 4 | 4 | 4 | 4 | 4 | 4 | 4 | Mutter M6 Nut |

Framhjul Front wheel



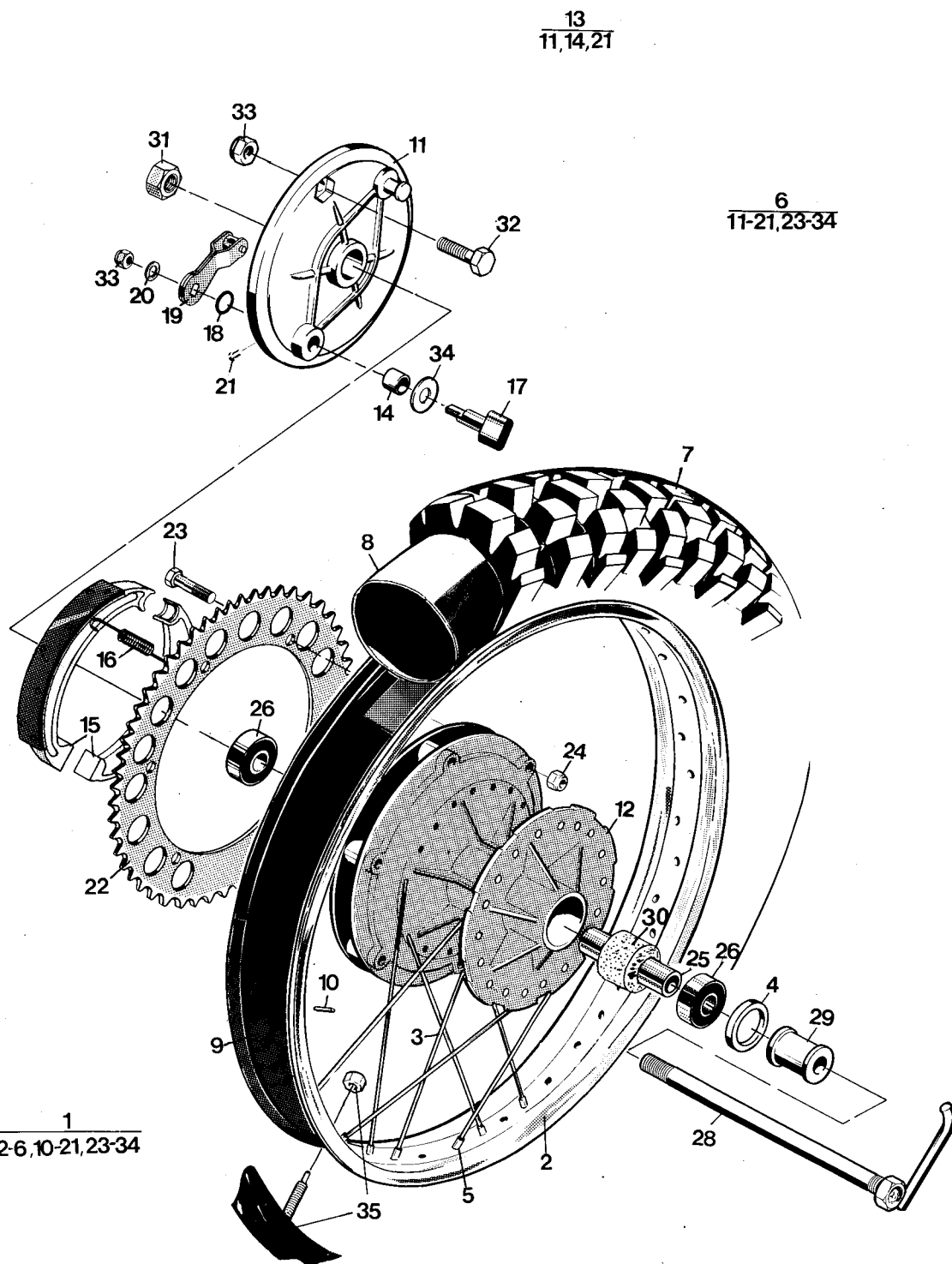
| Fig. | Part Number Detaljnummer | Quantity/Antal | | | | | | | | | | | | | Description Benämning | | | |
|-----------------------|-----------------------------|----------------|----|----|-----|----|-----|----|----|-----|-----|----|----|----|--------------------------|---|----|--------------------------------------|
| | | 125 | | | 240 | | 250 | | | 500 | | | | | | | | |
| | | CR | WR | XC | CR | WR | CR | WR | XC | WRE | WRU | CR | XC | AE | | | | |
| | 43 | 72 01 232-00 | | 18 | | | 18 | | | 18 | | | 18 | 18 | | | 18 | Pinne CP 3×8 Pin |
| | 44 | 15 16 028-01 | 1 | 1 | 1 | 1 | 1 | 1 | 1 | 1 | 1 | 1 | 1 | 1 | 1 | 1 | 1 | Innerslang Tube |
| | 45 | 15 16 029-01 | 1 | 1 | 1 | 1 | 1 | 1 | 1 | 1 | 1 | 1 | 1 | 1 | 1 | 1 | 1 | Fälgband Rimband |
| | 46 | 15 16 144-01 | 1 | | 1 | 1 | | 1 | | 1 | | | 1 | 1 | | | | Däcklås Rim lock |
| | 47 | 15 16 257-01 | 1 | 1 | 1 | 1 | 1 | 1 | 1 | 1 | 1 | 1 | 1 | 1 | 1 | 1 | 1 | Däck Trelleborg 3.00×21 Deep grip |
| | 48 | 15 16 249-01 | 1 | 1 | 1 | 1 | 1 | 1 | 1 | 1 | 1 | 1 | 1 | 1 | 1 | 1 | 1 | Distans Spacer |
| | 49 | 15 16 247-01 | 1 | | 1 | 1 | | 1 | | 1 | | | 1 | 1 | | | | Distans Spacer |
| | 50 | 15 16 238-01 | 1 | 1 | 1 | 1 | 1 | 1 | 1 | 1 | 1 | 1 | 1 | 1 | 1 | 1 | 1 | Mutter Nut |
| | 51 | 15 16 270-01 | 1 | 1 | 1 | 1 | 1 | 1 | 1 | 1 | 1 | 1 | 1 | 1 | 1 | 1 | 1 | Framnav, kpl. Front hub, compl. |
| N | 52 | 15 18 047-01 | 1 | 1 | | 1 | | 1 | | | | | | | | | | Framskärm Fender |
| | 55 | 72 52 493-51 | 1 | 1 | 1 | 1 | 1 | 1 | 1 | 1 | 1 | 1 | 1 | 1 | 1 | 1 | 1 | Skruv M10×25 Screw |
| Tillbehör/Accessories | | | | | | | | | | | | | | | | | | |
| N | 53 | 15 18 050-01 | | | | | | | | | | | | | | | | Skärmbreddare Widener |
| N | 54 | 15 18 049-01 | | | | | | | | | | | | | | | | Skärmlängare Lengthener |
| | | 15 19 644-01 | | | | | | | | | | | | | | | | Ekersats Spokekit |
| | | 15 19 902-01 | | | | | | | | | | | | | | | | Nippelsats Nipple kit |

1
2-6
6
12-22,24-35
13
14-16,35



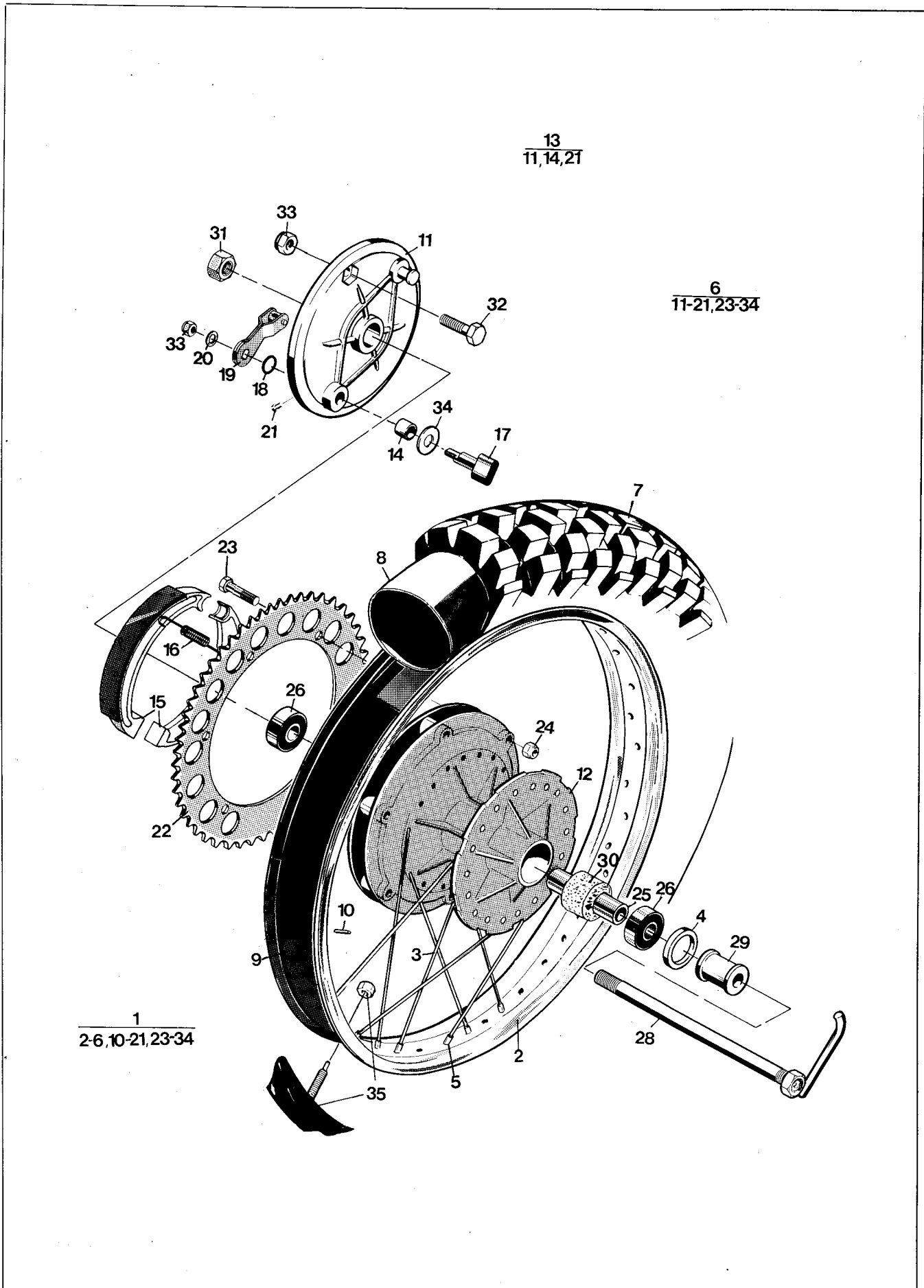
| Fig. | Part Number Detaljnummer | Quantity/Antal | | | | | | | | | | | | | Description Benämning | | |
|-----------------------|--|----------------|----|----|-----|----|-----|----|----|-----|-----|----|----|----|--------------------------|--|---|
| | | 125 | | | 240 | | 250 | | | 500 | | | | | | | |
| | | CR | WR | XC | CR | WR | CR | WR | XC | WRE | WRU | CR | XC | AE | | | |
| 1 | 15 19 951-01 | 1 | | | 1 | | 1 | | | | | | | 1 | | | Hjul, kpl. exkl. gummi Wheel compl. exkl. rubber |
| 2 | 15 16 827-01 | 1 | | | 1 | | 1 | | | | | | | 1 | | | Fälg 2,5×18" Rim |
| 3 | 15 16 828-02 | 36 | | | 36 | | 36 | | | | | | | 36 | | | Eker L = 196 Spoke |
| 5 | 15 16 829-01 | 36 | | | 36 | | 36 | | | | | | | 36 | | | Ekernippel Spoke nipple |
| 6 | 15 19 932-01 | 1 | | | 1 | | 1 | | | | | | | 1 | | | Baknav kpl. utan kedjedrev Rear hub compl. |
| 7 | 15 16 839-01 | 1 | | | | | | | | | | | | | | | Däck 4,50×18" Trelleborg Tyre |
| | 15 16 844-01 | | | | 1 | | 1 | | | | | | | | | | Däck 4,25×18" Pirelli Tyre |
| | 15 16 846-01 | | | | | | | | | | | | | 1 | | | Däck 5,00×18" Pirelli Tyre |
| 8 | 15 16 770-01 | | | | | | | | | | | | | | | | Innerslang Innertube |
| 9 | 15 16 761-01 | | | | | | | | | | | | | | | | Fälgband Rimband |
| 11 | 15 16 772-01 | 2 | | | 2 | | 2 | | | | | | | 2 | | | Däcklås, kpl. Tyre lock |
| 12 | 15 16 817-01 | 1 | | | 1 | | 1 | | | | | | | 1 | | | Navhylsa, kpl. Hub sleeve |
| 13 | 15 16 928-01 15 16 665-01 | 1 | | | 1 | | 1 | | | | | | | 1 | | | Bromssköld, kpl. Brake plate compl. |
| 14 | 72 31 360-01 | 1 | | | 1 | | 1 | | | | | | | 1 | | | Skruv MCS 6×6 Screw |
| 15 | 15 16 667-01 | 1 | | | 1 | | 1 | | | | | | | 1 | | | Bussning Bushing |
| 17 | 15 16 543-01 | 2 | | | 2 | | 2 | | | | | | | 2 | | | Bromsback Brake shoe |
| 18 | 15 16 547-01 | 2 | | | 2 | | 2 | | | | | | | 2 | | | Fjäder, bromsback Spring |
| 19 | 15 16 548-01 | 1 | | | 1 | | 1 | | | | | | | 1 | | | Bromsexcenter Brake cam |
| 20 | 15 16 723-01 | 1 | | | 1 | | 1 | | | | | | | 1 | | | Hävarm Lever |
| 21 | 73 41 164-01 | 1 | | | 1 | | 1 | | | | | | | 1 | | | Bricka 8,4×18 Washer |
| 22 | 73 22 118-01 | 7 | | | 7 | | 7 | | | | | | | 7 | | | Låsmutter M8 Nut |
| 23 | 15 16 755-01 952-03 | 1 | | | 1 | | 1 | | | | | | | 1 | | | Kedjekrans 53 T |
| 24 | 72 52 461-81 | 6 | | | 6 | | 6 | | | | | | | 6 | | | Skruv M8×50 Screw |
| 26 | 15 16 752-01 | 1 | | | 1 | | 1 | | | | | | | 1 | | | Distanshylsa Distance sleeve |
| 27 | 73 82 302-34 | 2 | | | 2 | | 2 | | | | | | | 2 | | | Kullager Ball bearing |
| 28 | 15 13 718-01 | 1 | | | 1 | | 1 | | | | | | | 1 | | | Tätning Seal |
| 29 | 15 16 820-01 | 1 | | | 1 | | 1 | | | | | | | 1 | | | Lagerhylsa Bearing sleeve |
| 30 | 15 16 728-01 | 1 | | | 1 | | 1 | | | | | | | 1 | | | Bakaxel Shaft |
| 31 | 74 04 408-00 | 1 | | | 1 | | 1 | | | | | | | 1 | | | O-ring |
| 32 | 15 16 826-01 | 1 | | | 1 | | 1 | | | | | | | 1 | | | Tätningshållare Seal case |
| 33 | 15 16 598-01 | 2 | | | 2 | | 2 | | | | | | | 2 | | | Mutter Nut |
| 34 | 15 16 753-01 | 1 | | | 1 | | 1 | | | | | | | 1 | | | Distans, vänster Distance |
| 35 | 15 16 819-01 | 1 | | | 1 | | 1 | | | | | | | 1 | | | Bussning Bushing |
| Tillbehör/Accessories | | | | | | | | | | | | | | | | | |
| | 15 19 952-01 | 1 | | | | | | | | | | | | | | | Ekersats 18" Spoke unit |
| | 15 19 938-01 | | | | | | | | | | | | | | | | Nippelsats Nipple kit |

Bakhjul
Rear wheel **WR, XC**



| Fig. | Part Number Detaljnummer | Quantity/Antal | | | | | | | | | | | | | Description Benämning | |
|------|--|----------------|----|----|-----|----|-----|----|----|-----|-----|----|----|----|--------------------------|--|
| | | 125 | | | 240 | | 250 | | | 500 | | | | | | |
| | | CR | WR | XC | CR | WR | CR | WR | XC | WRE | WRU | CR | XC | AE | | |
| 1 | 15 19 722-01 | | 1 | 1 | | 1 | | 1 | 1 | 1 | | | | 1 | 1 | Hjul, kpl. exkl gummi Wheel compl. excl. rubber |
| 2 | 15 16 827-01 | | 1 | 1 | | 1 | | 1 | 1 | 1 | | | | 1 | 1 | Fälg, 2,5x18" Rim |
| 3 | 15 16 828-02 | | 36 | 36 | | 36 | | 36 | 36 | 36 | | | | 36 | 36 | Eker 196 Spoke |
| 4 | 15 13 718-01 | | 1 | 1 | | 1 | | 1 | 1 | 1 | | | | 1 | 1 | Tätning Seal |
| 5 | 15 16 829-01 | | 36 | 36 | | 36 | | 36 | 36 | 36 | | | | 36 | 36 | Ekernippel Spoke nipple |
| 6 | 15 19 931-01 | | 1 | 1 | | 1 | | 1 | 1 | 1 | | | | 1 | 1 | Baknav, kpl. Rear hub compl. |
| 7 | 16 16 039-01 | | 1 | 1 | | | | 1 | | | | | | | | Däck 4,50x18" Trelleborg ten master Tyre |
| | 15 16 848-01 | | | | | 1 | | 1 | | 1 | 1 | | | 1 | 1 | Däck 5,00x18" Trelleborg Tyre |
| 8 | 15 16 770-01 | | 1 | 1 | | 1 | | 1 | 1 | 1 | | | | 1 | 1 | Innerslang 18" Innertyre |
| 9 | 15 16 771-01 | | 1 | 1 | | 1 | | 1 | 1 | 1 | | | | 1 | 1 | Fälgband 17" Rimband |
| 10 | 72 01 232-00 | | 18 | | | 18 | | 18 | | 18 | | | | 18 | 18 | Pinne 3x8 Cyl pin |
| 12 | 15 16 816-01 | | 1 | 1 | | 1 | | 1 | 1 | 1 | | | | 1 | 1 | Navhylsa Hub sleeve |
| 13 | 15 16 790-02 | | 1 | 1 | | 1 | | 1 | 1 | 1 | | | | 1 | 1 | Bromssköld, kpl. Brake plate compl. |
| 14 | 15 16 837-01 | | 1 | 1 | | 1 | | 1 | 1 | 1 | | | | 1 | 1 | Bussning Bushing |
| 15 | 15 16 788-02 | | 2 | 2 | | 2 | | 2 | 2 | 2 | | | | 2 | 2 | Bromsback, kpl. Brake shoe |
| 16 | 15 16 547-01 | | 2 | 2 | | 2 | | 2 | 2 | 2 | | | | 2 | 2 | Fjäder Spring |
| 17 | 15 16 728 ⁷⁸² -01 | | 1 | 1 | | 1 | | 1 | 1 | 1 | | | | 1 | 1 | Bromsexcenter Brake cam |
| 18 | 74 04 807-03 | | 1 | 1 | | 1 | | 1 | 1 | 1 | | | | 1 | 1 | O-ring |
| 19 | 15 16 723-01 | | 1 | 1 | | 1 | | 1 | 1 | 1 | | | | 1 | 1 | Hävarm Lever |
| 20 | 73 41 164-01 | | 1 | 1 | | 1 | | 1 | 1 | 1 | | | | 1 | 1 | Bricka 8,4x18 Washer |
| 21 | 72 31 360-01 | | 1 | 1 | | 1 | | 1 | 1 | 1 | | | | 1 | 1 | Skruv M6x6 Screw |
| 22 | 15 16 756 ⁸⁵²⁻⁰³ -01 | | | 1 | | 1 | | 1 | 1 | 1 | | | | 1 | 1 | Kedjekrans Z = 53 Sprocket |
| | 15 16 668 ⁸⁵²⁻⁰¹ -01 | | | 1 | | | | | | 1 | | | | | | Kedjekrans Z = 48 Sprocket |
| 23 | 72 52 460-51 | | 6 | 6 | | 6 | | 6 | 6 | 6 | | | | 6 | 6 | Skruv M8x45 Screw |
| 24 | 73 22 118-01 | | 7 | 7 | | 7 | | 7 | 7 | 7 | | | | 7 | 7 | Låsmutter Nut |
| 25 | 15 16 752-01 | | 1 | 1 | | 1 | | 1 | 1 | 1 | | | | 1 | 1 | Distanshylsa Distance sleeve |
| 26 | 73 82 302-34 | | 2 | 2 | | 2 | | 2 | 2 | 2 | | | | 2 | 2 | Kullager 6302 2R5 Ball bearing |
| 28 | 15 16 800-01 | | 1 | 1 | | 1 | | 1 | 1 | 1 | | | | 1 | 1 | Bakaxel, kpl. Shaft |
| 29 | 15 16 753-01 | | 1 | 1 | | 1 | | 1 | 1 | 1 | | | | 1 | 1 | Distans Distance |
| 30 | 15 16 300-30 | | 1 | 1 | | 1 | | 1 | 1 | 1 | | | | 1 | 1 | Distanshållare Spacer holder |
| 31 | 15 16 598-01 | | 1 | 1 | | 1 | | 1 | 1 | 1 | | | | 1 | 1 | Mutter Nut |
| 32 | 15 16 813-01 | | 1 | 1 | | 1 | | 1 | 1 | 1 | | | | 1 | 1 | Skruv Screw |
| 33 | 73 22 118-01 | | 1 | 1 | | 1 | | 1 | 1 | 1 | | | | 1 | 1 | Låsmutter M8 Nut |
| 34 | 15 16 836-01 | | 1 | 1 | | 1 | | 1 | 1 | 1 | | | | 1 | 1 | Bricka Washer |
| 35 | 15 16 772-01 | | | 2 | | | | 2 | | | | | | 2 | | Däcklås Tyre lock |

Bakhjul
Rear wheel **WR, XC**



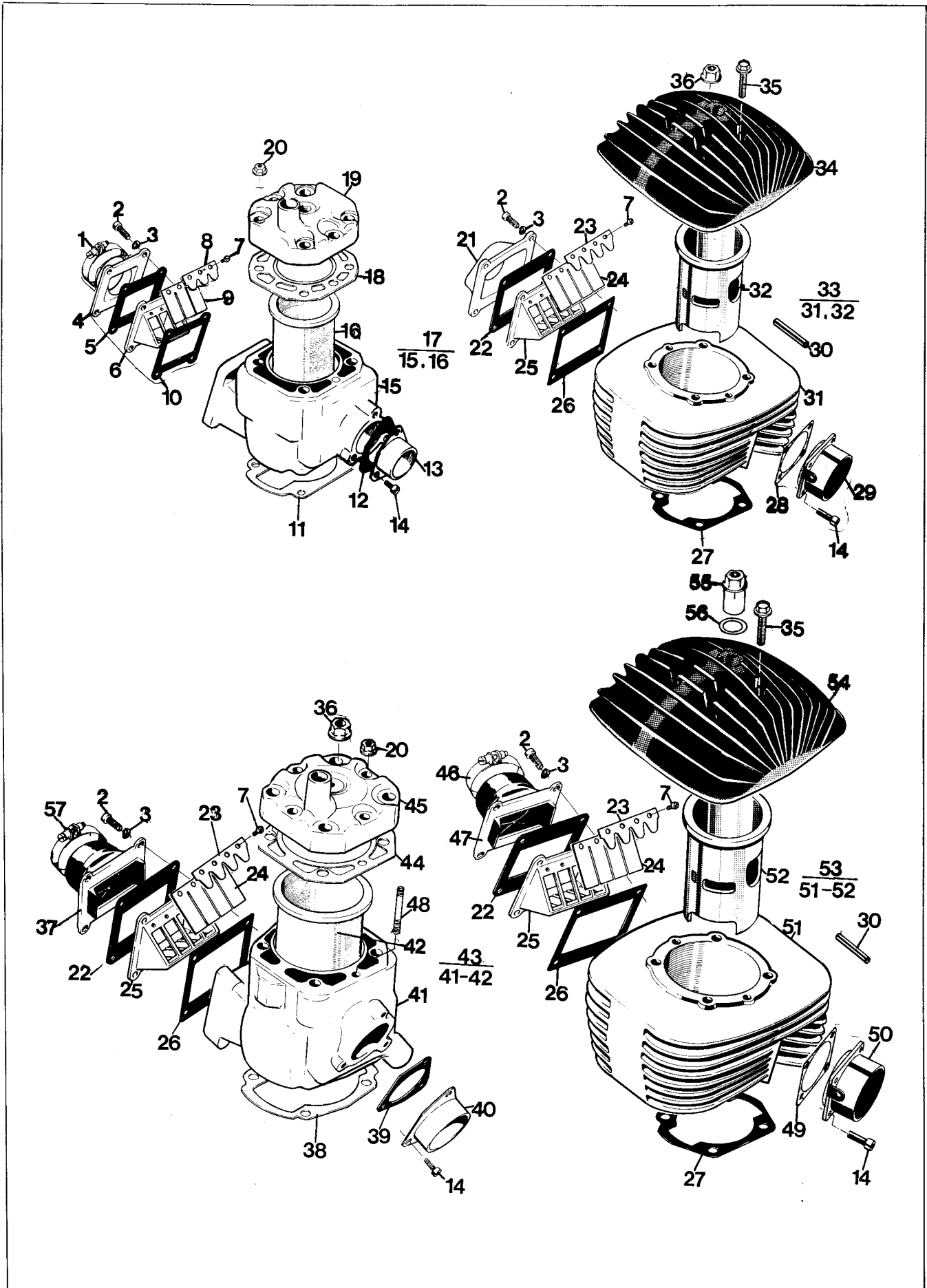
13
11,14,21

6
11-21,23-34

1
2-6,10-21,23-34

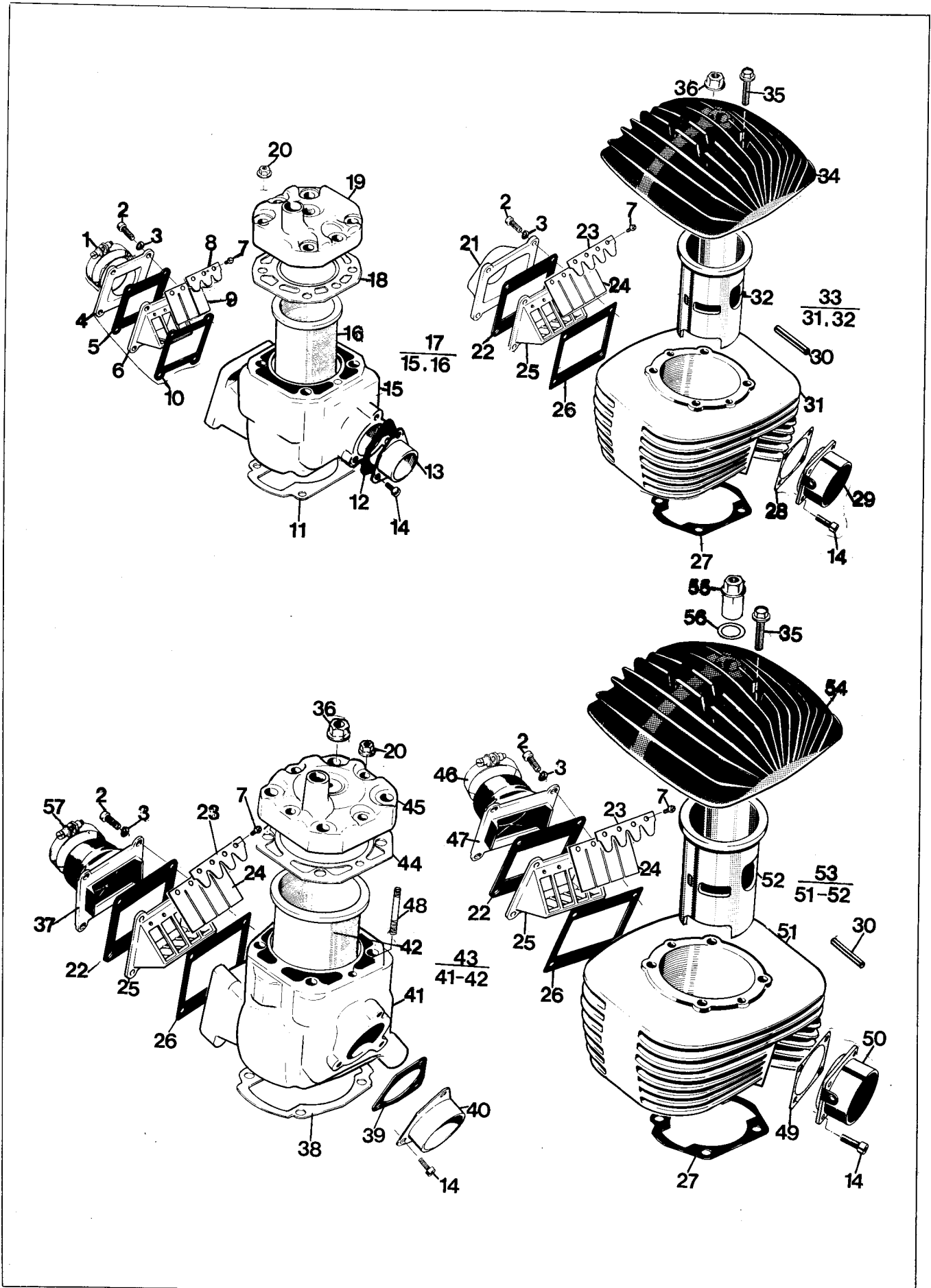
| Fig. | Part Number Detaljnummer | Quantity/Antal | | | | | | | | | | | | | Description Benämning | |
|------|-----------------------------|----------------|----|----|-----|----|-----|----|----|-----|-----|----|----|----|--------------------------|---|
| | | 125 | | | 240 | | 250 | | | 500 | | | | | | |
| | | CR | WR | XC | CR | WR | CR | WR | XC | WRE | WRU | CR | XC | AE | | |
| | 15 19 952-01 | | | | | | | | | | | | | | | Ekersats Spoke unit |
| | 15 19 938-01 | | | | | | | | | | | | | | | Nippelsats 36 st Nipple kit 36 pcs |
| | 15 19 886-01 | | | | | | | | | | | | | | | Däcklåssats Cyl pinne 3×8, 40 st Tyre lock kit Cyl pin 3×8, 40 pcs |

Cylinder - Toplock - Insug
Cylinder - Cylinder head - Intake

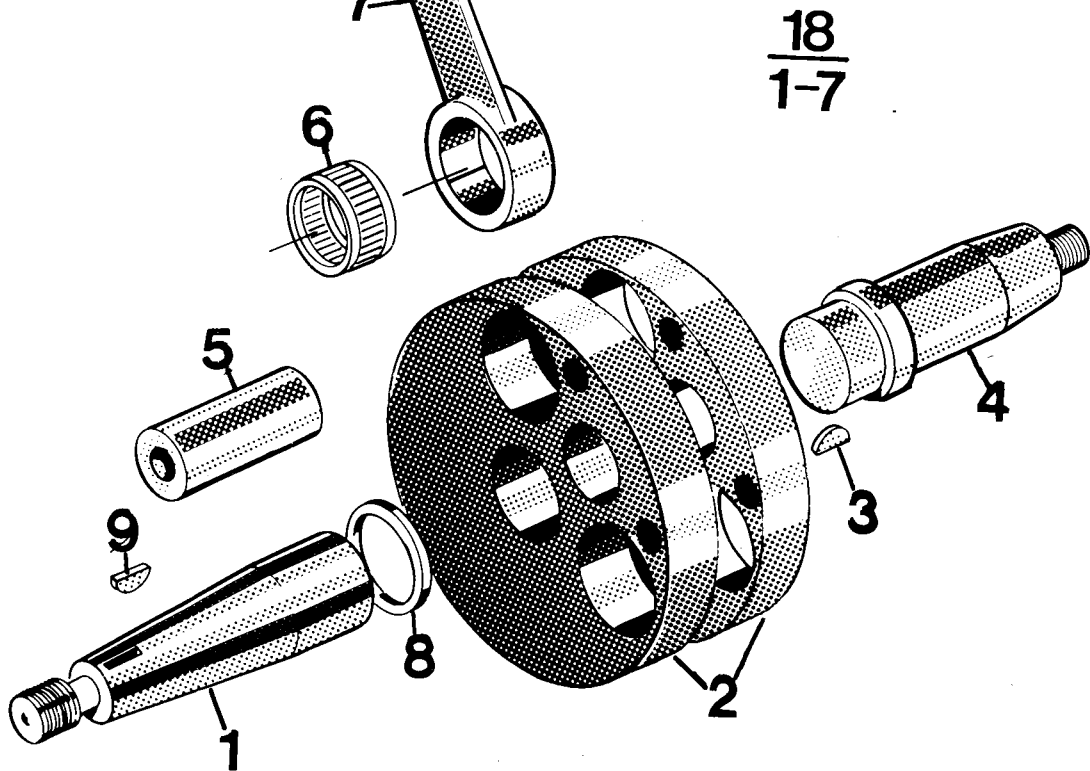
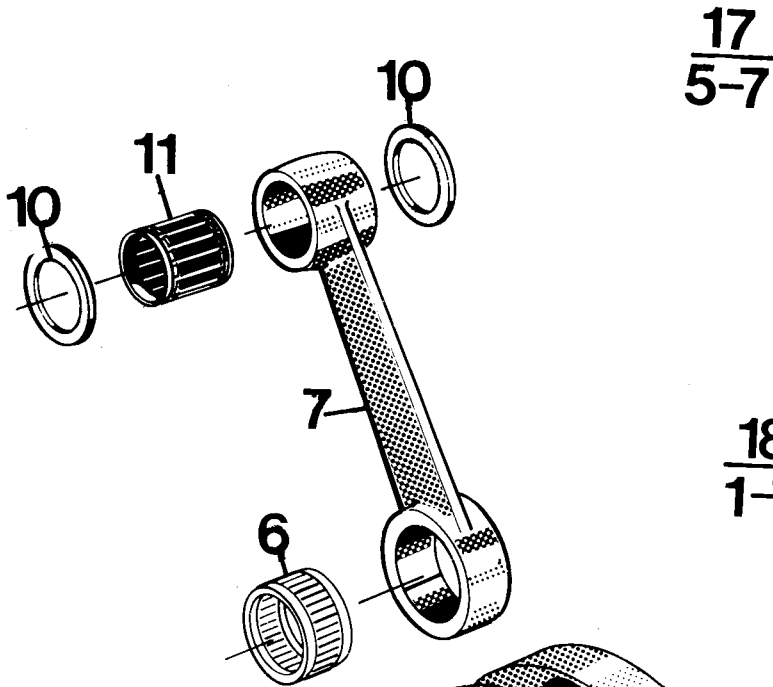
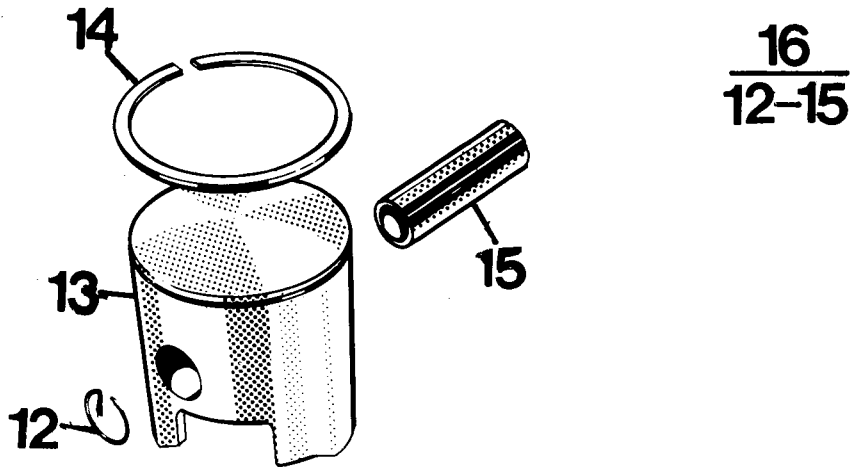


| Fig. | Part Number Detaljnummer | Quantity/Antal | | | | | | | | | | | | | Description Benämning | |
|------|-----------------------------|----------------|----|----|-----|----|-----|----|----|-----|-----|----|----|----|--------------------------|---------------------------------|
| | | 125 | | | 240 | | 250 | | | 500 | | | | | | |
| | | CR | WR | XC | CR | WR | CR | WR | XC | WRE | WRU | CR | XC | AE | | |
| 1 | 16 13 227-01 372-01 | 1 | 1 | 1 | | | | | | | | | | | | Klamma Clamp |
| 2 | 72 55 374-01 | 4 | 4 | 4 | 4 | 4 | 4 | 4 | 4 | 4 | 4 | 4 | 4 | 4 | 4 | Skruv M6×30 Screw |
| 3 | 73 51 153-50 | 4 | 4 | 4 | 4 | 4 | 4 | 4 | 4 | 4 | 4 | 4 | 4 | 4 | 4 | Bricka Washer |
| 4 | 16 11 857-01 | 1 | | 1 | | | | | | | | | | | | Insugningsrör Inlet manifold |
| | 16 17 001-01 | | 1 | | | | | | | | | | | | | Insugningsrör Inlet manifold |
| 5 | 16 11 860-01 | 1 | 1 | 1 | | | | | | | | | | | | Packning Gasket |
| 6 | 16 11 855-01 | 1 | 1 | 1 | | | | | | | | | | | | Ventilhållare Valve holder |
| 7 | 72 32 285-31 | 6 | 6 | 6 | 8 | 8 | 8 | 8 | 8 | 8 | 8 | 8 | 8 | 8 | 8 | Skruv M4×6 Screw |
| 8 | 16 11 865-01 | 2 | 2 | 2 | | | | | | | | | | | | Ventilstöd Valve support |
| 9 | 16 11 863-01 | 1 | 1 | 1 | | | | | | | | | | | | Ventil Valve |
| 10 | 16 11 859-01 | 1 | 1 | 1 | | | | | | | | | | | | Packning Gasket |
| 11 | 16 11 880-01 | 1 | 1 | 1 | | | | | | | | | | | | Packning Gasket |
| N 12 | 16 14 558-01 | 1 | 1 | 1 | | | | | | | | | | | | Packning Gasket |
| N 13 | 16 14 551-01 | 1 | | 1 | | | | | | | | | | | | Avgasstos Exhaust manifold |
| N | 16 14 555-01 | | 1 | | | | | | | | | | | | | Avgasstos Exhaust manifold |
| 14 | 72 55 368-01 | 3 | 3 | 3 | 3 | 4 | 3 | 4 | 4 | 4 | 4 | 4 | 4 | 4 | 4 | Skruv M6×16 Screw |
| N 16 | 16 14 504-01 | 1 | 1 | 1 | | | | | | | | | | | | Cylinderfoder Liner |
| N 17 | 16 14 525-01 | 1 | 1 | 1 | | | | | | | | | | | | Cylinder |
| N 18 | 16 14 522-01 | 1 | 1 | 1 | | | | | | | | | | | | Packning Gasket |
| N 19 | 16 14 516-01 | 1 | 1 | 1 | | | | | | | | | | | | Cylinderlock Cylinder head |
| 20 | 15 13 731-01 | 6 | 6 | 6 | 4 | | 4 | | | | | | | | | Mutter M8 Nut |
| 21 | 16 11 858-01 | | | | | 1 | | 1 | 1 | | | | | | | Anslutning Inlet manifold |
| 22 | 16 11 862-01 | | | | 1 | 1 | 1 | 1 | 1 | 1 | 1 | 1 | 1 | 1 | 1 | Packning Gasket |
| 23 | 16 11 866-01 | | | | 2 | 2 | 2 | 2 | 2 | 2 | 2 | 2 | 2 | 2 | 2 | Ventilstöd Valve support |
| 24 | 16 11 864-01 | | | | 2 | 2 | 2 | 2 | 2 | 2 | 2 | 2 | 2 | 2 | 2 | Ventil Valve |
| 25 | 16 11 856-01 | | | | 1 | 1 | 1 | 1 | 1 | 1 | 1 | 1 | 1 | 1 | 1 | Ventilhållare Valve holder |
| 26 | 16 11 861-01 | | | | 1 | 1 | 1 | 1 | 1 | 1 | 1 | 1 | 1 | 1 | 1 | Packning Gasket |
| 27 | 16 11 882-01 | | | | | 1 | | 1 | 1 | 1 | 1 | 1 | 1 | 1 | 1 | Packning Gasket |
| 28 | 16 10 912-01 | | | | | 1 | | 1 | 1 | | | | | | | Packning Gasket |
| 29 | 16 10 730-01 | | | | | | | 1 | 1 | | | | | | | Avgasstos Exhaust manifold |
| | 16 11 895-01 | | | | | 1 | | | | | | | | | | Avgasstos Exhaust manifold |
| 30 | 16 11 849-02 | | | | | 20 | | 20 | 20 | 20 | 20 | | 20 | 20 | | Dämpgummi Damping rubber |
| N 32 | 16 14 505-02 | | | | | 1 | | 1 | | | | | | | | Cylinderfoder Liner |
| N 33 | 16 14 561-01 | | | | | | | 1 | | | | | | | | Cylinder |
| N | 16 14 561-02 | | | | | 1 | | | | | | | | | | Cylinder |
| | 16 11 725-01 | | | | | | | 1 | | | | | | | | |
| 34 | 16 11 850-01 | | | | | 1 | | 1 | 1 | | | | | | | Cylinderlock Cylinder head |
| 35 | 15 13 700-01 | | | | | 2 | | 2 | 2 | | | | | | | Skruv M8×40 Screw |
| 36 | 15 13 704-01 | | | | 4 | 4 | 4 | 4 | 4 | | | | | | | Mutter M10 Nut |
| N 37 | 16 13 720-01 | | | | 1 | | 1 | | | | | | | | | Insugningsrör Inlet manifold |
| N 38 | 16 14 524-01 | | | | 1 | | 1 | | | | | | | | | Packning Gasket |

Cylinder - Topplöck - Insug
 Cylinder - Cylinder head - Intake

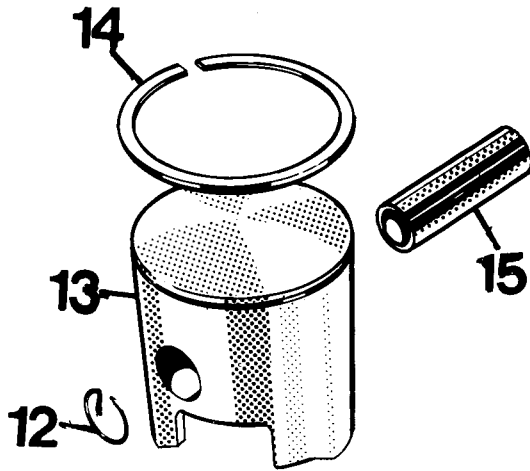


| Fig. | Part Number Detaljnummer | Quantity/Antal | | | | | | | | | | | | | Description Benämning | |
|------|-----------------------------|----------------|----|----|-----|----|-----|----|----|-----|-----|----|----|----|--------------------------|-------------------------------|
| | | 125 | | | 240 | | 250 | | | 500 | | | | | | |
| | | CR | WR | XC | CR | WR | CR | WR | XC | WRE | WRU | CR | XC | AE | | |
| N | 39 | | | | 1 | | 1 | | | | | | | | | Packning Gasket |
| N | 40 | | | | 1 | | 1 | | | | | | | | | Avgasstos Exhaust manifold |
| N | 42 | | | | 1 | | 1 | | | | | | | | | Foder Liner |
| N | 43 | | | | | | 1 | | | | | | | | | Cylinder |
| N | 44 | | | | 1 | | 1 | | | | | | | | | Cylinder Cylinder |
| N | 45 | | | | 1 | | 1 | | | | | | | | | Packning Gasket |
| | 46 | | | | | | | | | 1 | 1 | 1 | 1 | 1 | | Cylinderlock Cylinder head |
| | 47 | | | | | | | | | 1 | 1 | 1 | 1 | 1 | | Klamma Clamp |
| N | 48 | | | | 4 | | 4 | | | | | | | | | Anslutning Inlet manifold |
| | 49 | | | | | | | | | 1 | 1 | 1 | 1 | 1 | | Pinnskruv Stud |
| | 50 | | | | | | | | | 1 | 1 | 1 | 1 | 1 | | Packning Gasket |
| | 52 | | | | | | | | | 1 | | 1 | | | | Avgasstos Exhaust manifold |
| | 53 | | | | | | | | | 1 | 1 | | | | | Avgasstos Exhaust manifold |
| N | 54 | | | | | | | | | 1 | 1 | | | | | Foder Liner |
| N | 55 | | | | | | | | | 1 | 1 | 1 | 1 | 1 | | Foder Liner |
| N | 56 | | | | | | | | | 1 | 1 | 1 | 1 | 1 | | Cylinder Cylinder |
| | 57 | | | | | | | | | 1 | 1 | 1 | 1 | 1 | | Cylinderlock Cylinder head |
| | 58 | | | | | | | | | 4 | 4 | 4 | 4 | 4 | | Mutter M10 Nut |
| | 59 | | | | | | | | | 4 | 4 | 4 | 4 | 4 | | Bricka Washer |
| | 60 | | | | 1 | | 1 | | | | | | | | | Klamma Clamp |

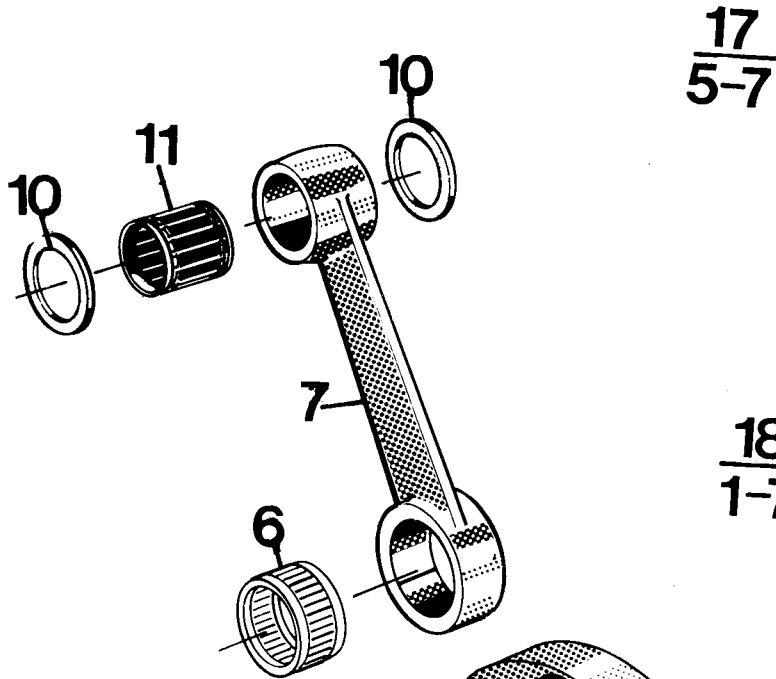


| Fig. | Part Number Detaljnummer | Quantity/Antal | | | | | | | | | | | | | Description Benämning | | |
|------|-----------------------------|----------------|----|----|-----|----|-----|----|----|-----|-----|----|----|----|--------------------------|---|--|
| | | 125 | | | 240 | | 250 | | | 500 | | | | | | | |
| | | CR | WR | XC | CR | WR | CR | WR | XC | WRE | WRU | CR | XC | AE | | | |
| 1 | 16 10 653-01 | 1 | 1 | 1 | | | | | | | | | | | | | Vevaxel, höger Crank shaft, right |
| | 16 11 659-01 | | | | 1 | 1 | 1 | 1 | 1 | 1 | 1 | 1 | 1 | 1 | 1 | 1 | Vevaxel, höger Crank shaft, right |
| 3 | 73 58 016-00 | 2 | 2 | 2 | 2 | 2 | 2 | 2 | 2 | 2 | 2 | 2 | 2 | 2 | 2 | 2 | Kil 3×16 Key |
| N | 16 11 285-01 | 1 | 1 | 1 | | | | | | | | | | | | | |
| N | 16 11 799-02 | | | | | 1 | | 1 | 1 | 1 | 1 | 1 | 1 | 1 | 1 | 1 | Vevaxel, vänster Crank shaft, left |
| N | 16 11 660-01 | | | | | 1 | | 1 | 1 | 1 | 1 | 1 | 1 | 1 | 1 | 1 | Vevaxel, vänster Crank shaft, left |
| | 16 14 539-01 | | | | | | | | | | | | | | | | |
| 8 | 16 10 676-01 | 1 | 1 | 1 | | | | | | | | | | | | | Distans Spacer |
| | 16 10 921-01 | | | | 1 | 1 | 1 | 1 | 1 | 1 | 1 | 1 | 1 | 1 | 1 | 1 | Distans Spacer |
| 9 | 15 13 713-01 | 1 | 1 | 1 | 1 | 1 | 1 | 1 | 1 | 1 | 1 | 1 | 1 | 1 | 1 | 1 | Kil Key |
| 10 | 16 10 674-01 | 2 | 2 | 2 | | | | | | | | | | | | | Distans Spacer |
| | 16 10 971-01 | | | | 2 | 2 | 2 | 2 | 2 | | | | | | | | Distans Spacer |
| 11 | 16 11 534-01 | 1 | 1 | 1 | | | | | | | | | | | | | Nållager Needle bearing |
| | 16 10 933-01 | | | | 1 | 1 | 1 | 1 | 1 | | | | | | | | Nållager Needle bearing |
| | 16 11 205-01 | | | | | | | | | 1 | 1 | 1 | 1 | 1 | 1 | 1 | Nållager Needle bearing |
| 12 | 16 11 739-01 | 2 | 2 | 2 | | | | | | | | | | | | | Låsring Circlip |
| | 16 11 738-01 | | | | 2 | 2 | 2 | 2 | 2 | | | | | | | | Låsring Circlip |
| | 16 11 195-01 | | | | | | | | | 2 | 2 | 2 | 2 | 2 | 2 | 2 | Låsring Circlip |
| N | 16 14 521-01 | 1 | 1 | 1 | | | | | | | | | | | | | Kolvring (Cyl Ø55.0) Piston ring |
| N | 16 14 521-02 | | | | | | | | | | | | | | | | Kolvring (Cyl Ø 55.25) Piston ring |
| N | 16 14 521-03 | | | | | | | | | | | | | | | | Kolvring (Cyl Ø 55.50) Piston ring |
| | 16 10 831-01 | | | | | | 1 | 1 | 1 | | | | | | | | Kolvring (Cyl Ø 69.50) Piston ring |
| | 16 10 831-02 | | | | | | | | | | | | | | | | Kolvring (Cyl Ø 69.75) Piston ring |
| | 16 10 831-03 | | | | | | | | | | | | | | | | Kolvring (Ø 70.0) Piston ring |
| | 16 10 831-04 | | | | | | | | | | | | | | | | Kolvring (Ø 70.25) Piston ring |
| | 16 10 831-05 | | | | 1 | 1 | | | | | | | | | | | Kolvring (Ø 68.75) Piston ring |
| | 16 11 189-01 | | | | | | | | | 1 | 1 | 1 | 1 | 1 | 1 | 1 | Kolvring (Ø 86.00) Piston ring |
| | 16 11 189-02 | | | | | | | | | | | | | | | | Kolvring (86.50) Piston ring |
| | 16 11 189-03 | | | | | | | | | | | | | | | | Kolvring (87.00) Piston ring |
| N | 16 14 520-01 | 1 | 1 | 1 | | | | | | | | | | | | | Kolv kpl. (Cyl Ø 55.0) Piston compl. |
| N | 16 14 520-02 | | | | | | | | | | | | | | | | Kolv kpl. (Cyl Ø 55.25) Piston compl. |
| N | 16 14 520-03 | | | | | | | | | | | | | | | | Kolv kpl. (Cyl Ø 55.50) Piston compl. |
| N | 16 11 210-01 | | | | | | | 1 | 1 | 1 | | | | | | | Kolv kpl. (Cyl Ø 69.50) Piston compl. |
| N | 16 14 549-01 | | | | | | | | | | | | | | | | Kolv kpl. (Cyl Ø 69.75) Piston compl. |
| N | 16 11 210-02 | | | | | | | | | | | | | | | | Kolv kpl. (Cyl Ø 70.00) Piston kpl. |
| N | 16 14 549-02 | | | | | | | | | | | | | | | | Kolv kpl. (Cyl Ø 70.25) Piston compl. |
| N | 16 11 210-03 | | | | | | | | | | | | | | | | Kolv kpl. (Cyl Ø 68.75) Piston compl. |
| N | 16 14 549-03 | | | | | | | | | | | | | | | | Kolv kpl. (Cyl 86.00) Piston compl. |
| N | 16 11 210-04 | | | | | | | | | | | | | | | | Kolv kpl. (Cyl 86.50) Piston compl. |
| N | 16 14 549-04 | | | | | | | | | | | | | | | | Kolv kpl. (Cyl 87.00) Piston compl. |
| N | 16 14 550-01 | | | | 1 | 1 | | | | | | | | | | | Kolv kpl. (Cyl Ø 70.00) Piston kpl. |
| | 16 11 194-01 | | | | | | | | | 1 | 1 | 1 | 1 | 1 | 1 | 1 | Kolv kpl. (Cyl Ø 70.25) Piston compl. |
| | 16 11 194-02 | | | | | | | | | | | | | | | | Kolv kpl. (Cyl Ø 86.00) Piston compl. |
| | 16 11 194-03 | | | | | | | | | | | | | | | | Kolv kpl. (Cyl 86.50) Piston compl. |
| | 16 11 194-03 | | | | | | | | | | | | | | | | Kolv kpl. (Cyl 87.00) Piston compl. |

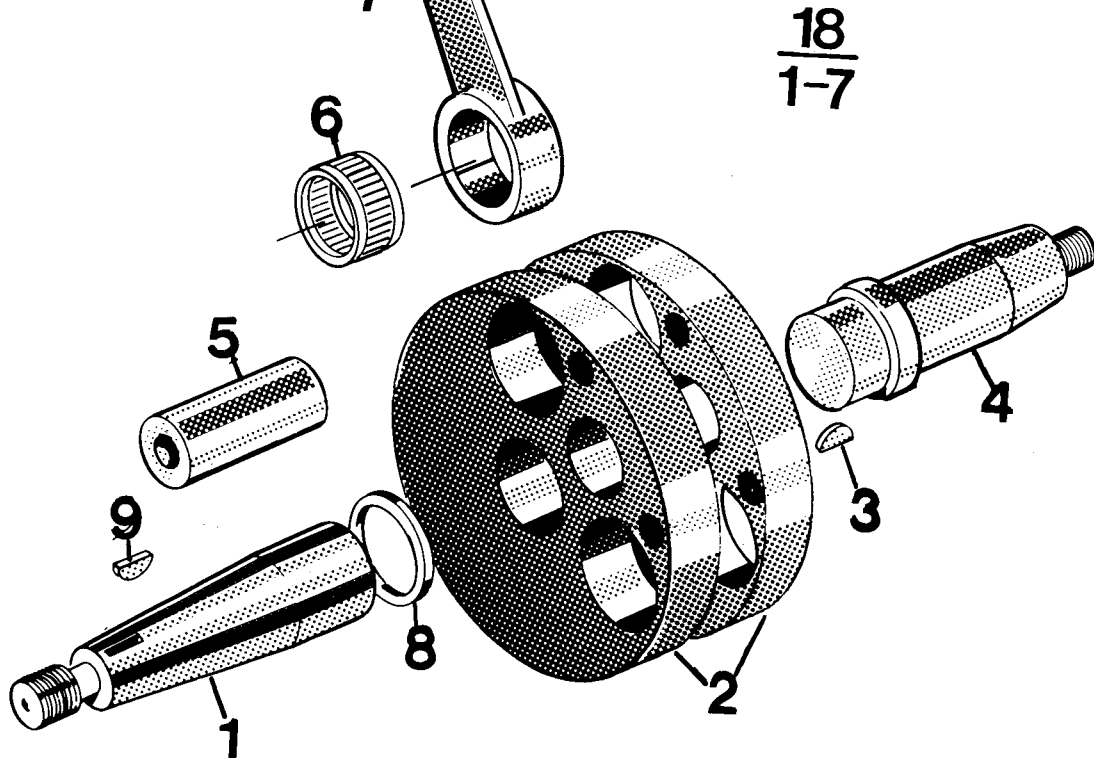
Vevaxel och kolv
Crank shaft and piston



$\frac{16}{12-15}$



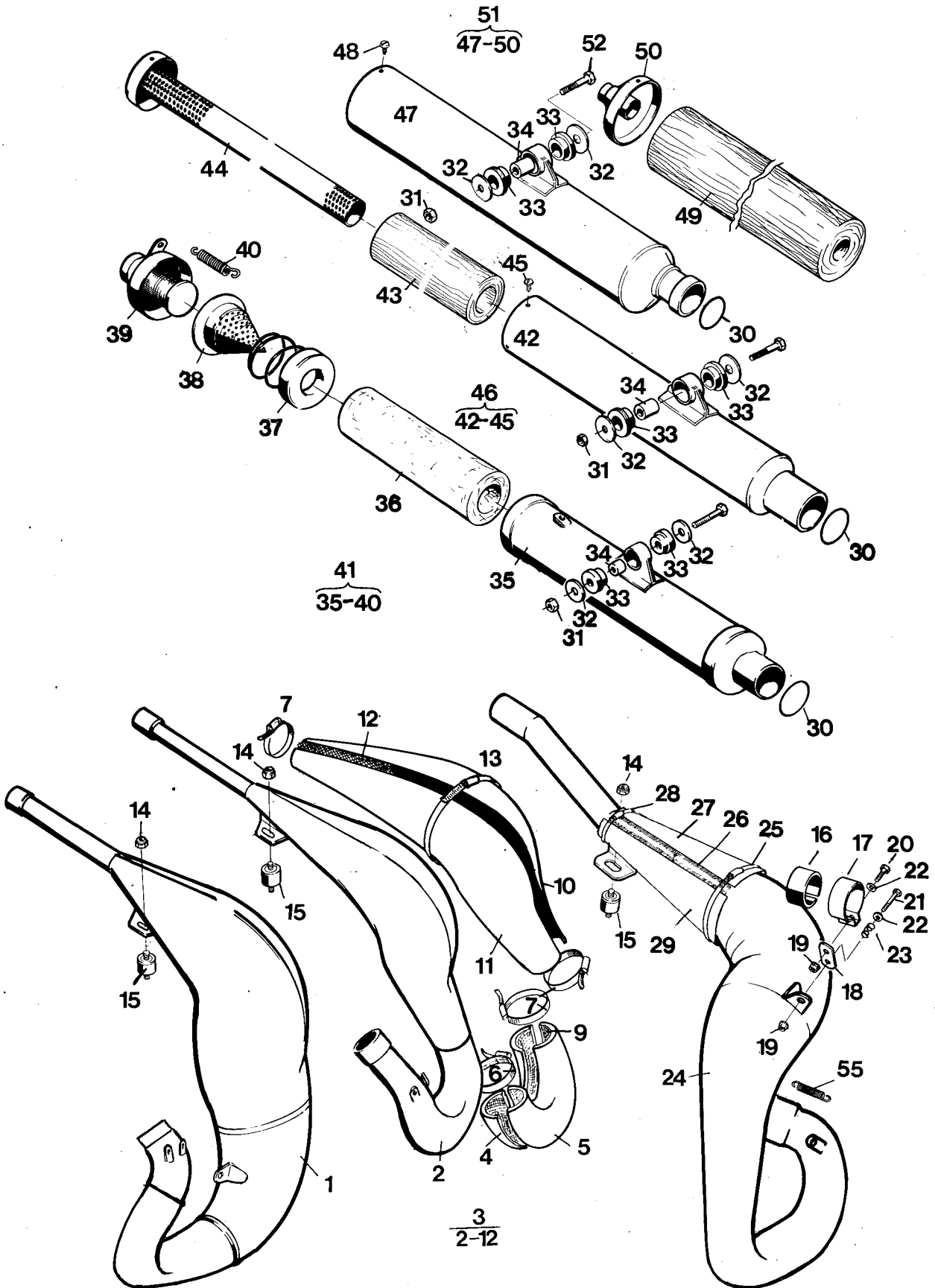
$\frac{17}{5-7}$



$\frac{18}{1-7}$

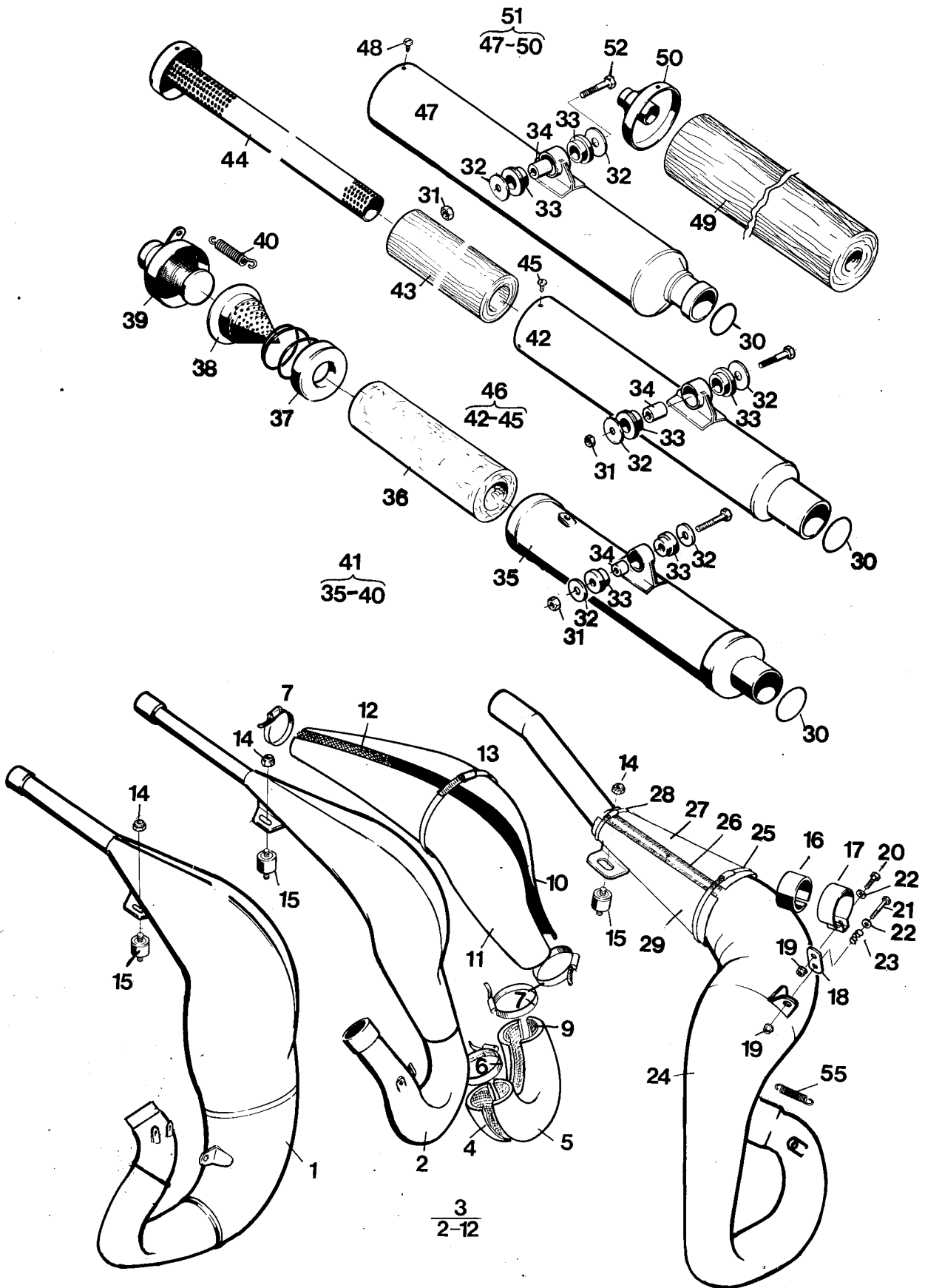
| Fig. | Part Number Detaljnummer | Quantity/Antal | | | | | | | | | | | | | Description Benämning | |
|------|--|----------------|----|----|-----|----|-----|----|----|-----|-----|----|----|----|--------------------------|---|
| | | 125 | | | 240 | | 250 | | | 500 | | | | | | |
| | | CR | WR | XC | CR | WR | CR | WR | XC | WRE | WRU | CR | XC | AE | | |
| 17 | 16 10 383-01 16 19 825-01 16 19 829-01 | 1 | 1 | 1 | 1 | 1 | 1 | 1 | 1 | 1 | 1 | 1 | 1 | 1 | 1 | Renov.sats vevstake Overhaulkit conn.rod |
| N 18 | 16 14 542-01 16 11 653-01 | 1 | 1 | 1 | | 1 | | 1 | 1 | | | | | | | Vevparti, kpl Crank shaft, compl. |
| N | 16 11 899-01 | | | | | | | | | 1 | 1 | 1 | 1 | | | |
| N | 16 14 538-01 | | | | 1 | | 1 | | | | | | | | | |
| N | 16 11 257-01 | | | | | | | | | | | | | 1 | | |

Avgasrör - Ljuddämpare
Exhaust pipe - Silencer

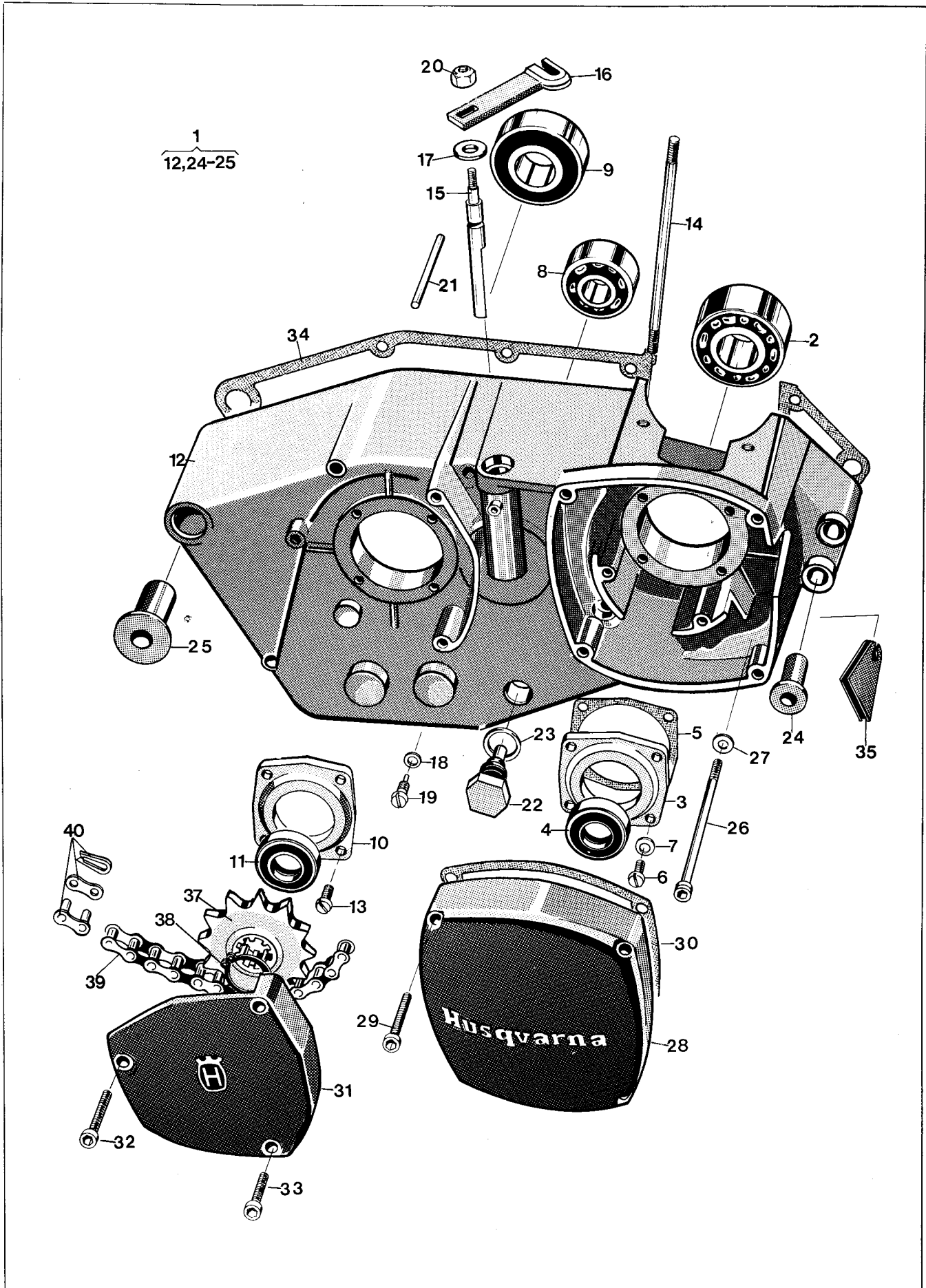


| Fig. | Part Number Detaljnummer | Quantity/Antal | | | | | | | | | | | | | Description Benämning | | |
|------|-----------------------------|----------------|----|----|-----|----|-----|----|----|-----|-----|----|----|----|--------------------------|---|---------------------------------|
| | | 125 | | | 240 | | 250 | | | 500 | | | | | | | |
| | | CR | WR | XC | CR | WR | CR | WR | XC | WRE | WRU | CR | XC | AE | | | |
| N | 1 | | | | 1 | | 1 | | | | | | | | | | Avgasrör Exhaustpipe |
| N | 2 | 1 | | 1 | | | | | | | | | | | | | Avgasrör Exhaust pipe |
| N | 3 | | 1 | | | | | | | | | | | | | | Avgasrör Exhaust pipe |
| N | 4 | | 1 | | | | | | | | | | | | | | Ytterhalva Outer half |
| N | 5 | | 1 | | | | | | | | | | | | | | Ytterhalva Outer half |
| | 6 | | 1 | | | | | | | | | | | | | | Klamma Clamp |
| | 7 | | 1 | | | | | | | | | | | | | | Klamma Clamp |
| | 9 | | 2 | | | | | | | | | | | | | | Dämpmatta Damping material |
| N | 10 | | 1 | | | | | | | | | | | | | | Ytterhalva Outer half |
| N | 11 | | 1 | | | | | | | | | | | | | | Ytterhalva Outer half |
| N | 12 | | 2 | | | | | | | | | | | | | | Dämpmatta Damping material |
| | 13 | | 1 | | | | | | | | | | | | | | Klamma Clamp |
| | 14 | 1 | 1 | 1 | 1 | 1 | 1 | 1 | 1 | 1 | 1 | 1 | 1 | 1 | 1 | 1 | Mutter M8 Nut |
| | 15 | 1 | 1 | 1 | 2 | 1 | 2 | 1 | 1 | 1 | 1 | 1 | 1 | 1 | 1 | 1 | Vibrationsdämpare Damper |
| | 16 | | | | | 1 | | 1 | 1 | 1 | 1 | 1 | 1 | 1 | 1 | 1 | Gummiskydd Rubber |
| | 17 | | | | | 1 | | 1 | 1 | 1 | 1 | 1 | 1 | 1 | 1 | 1 | Klamma Clamp |
| | 18 | | | | | 1 | | 1 | 1 | 1 | 1 | 1 | 1 | 1 | 1 | 1 | Länk Link |
| | 19 | | | | | 2 | | 2 | 2 | 2 | 2 | 2 | 2 | 2 | 2 | 2 | Mutter M6 Nut |
| | 20 | | | | | 1 | | 1 | 1 | 1 | 1 | 1 | 1 | 1 | 1 | 1 | Skruv M6×30 Screw |
| | 21 | | | | | 1 | | 1 | 1 | 1 | 1 | 1 | 1 | 1 | 1 | 1 | Skruv M6×35 Screw |
| | 22 | | | | | 2 | | 2 | 2 | 2 | 2 | 2 | 2 | 2 | 2 | 2 | Bricka Washer |
| | 23 | | | | | 1 | | 1 | 1 | 1 | 1 | 1 | 1 | 1 | 1 | 1 | Fjäder Spring |
| N | 24 | | | | | | | | | 1 | 1 | | | | | | Avgasrör Exhaust pipe |
| | | | | | | 1 | | 1 | 1 | | | | | | | | Avgasrör Exhaust pipe |
| | | | | | | | | | | | 1 | 1 | 1 | | | | Avgasrör Exhaust pipe |
| | 25 | | | | | 1 | | 1 | 1 | 1 | 1 | | | | | | Klamma Clamp |
| N | 26 | | | | | | | | | 2 | 2 | | | | | | Dämpmatta Damping material |
| | | | | | | 2 | | 2 | 2 | | | | | | | | Dämpmatta Damping material |
| | 27 | | | | | 1 | | 1 | 1 | | | | | | | | Ytterhalva Outer half |
| | | | | | | | | | | 1 | 1 | | | | | | Ytterhalva Outer half |
| | 28 | | | | | | | | | 1 | 1 | | | | | | Klamma Clamp |
| | | | | | | 1 | | 1 | 1 | | | | | | | | Klamma Clamp |
| | 29 | | | | | 1 | | 1 | 1 | | | | | | | | Ytterhalva Outer half |
| | | | | | | | | | | 1 | 1 | | | | | | Ytterhalva Outer half |
| | 30 | 1 | 1 | 1 | 1 | 1 | 1 | 1 | 1 | 1 | 1 | 1 | 1 | 1 | 1 | 1 | O-ring |
| | 31 | 1 | 1 | 1 | 1 | 1 | 1 | 1 | 1 | 1 | 1 | 1 | 1 | 1 | 1 | 1 | Mutter M8 Nut |
| | 32 | 2 | 2 | 2 | 2 | 2 | 2 | 2 | 2 | 2 | 2 | 2 | 2 | 2 | 2 | 2 | Bricka Washer |
| | 33 | 2 | 2 | 2 | 2 | 2 | 2 | 2 | 2 | 2 | 2 | 2 | 2 | 2 | 2 | 2 | Gummibussning Rubber bushing |
| | 34 | 1 | 1 | 1 | 1 | 1 | 1 | 1 | 1 | 1 | 1 | 1 | 1 | 1 | 1 | 1 | Distans Spacer |
| | 36 | | | 1 | | | | 1 | 1 | | | 1 | | 1 | 1 | 1 | Absorbent Absorber |

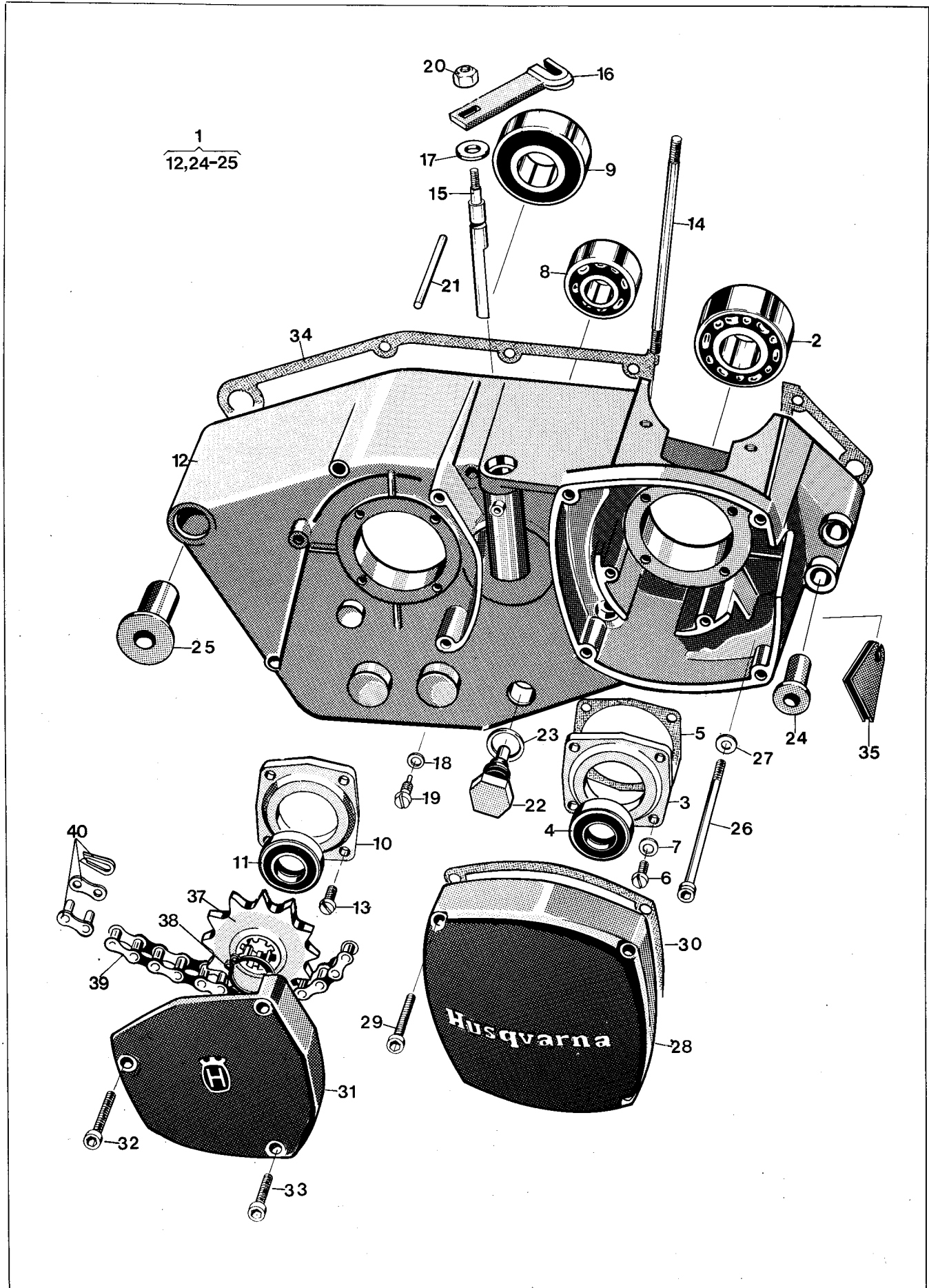
Avgasrör - Ljuddämpare
Exhaust pipe - Silencer



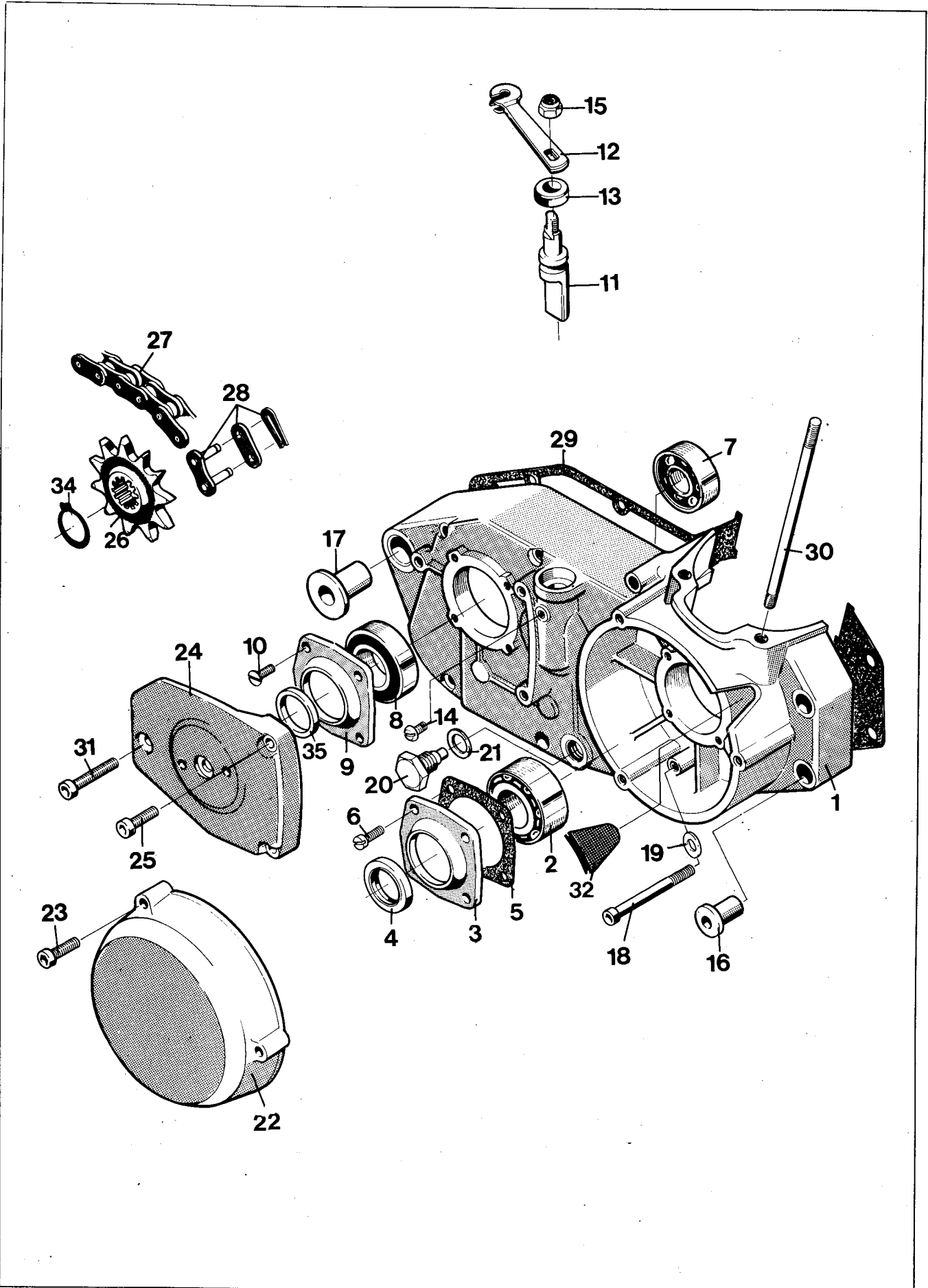
| Fig. | Part Number Detaljnummer | Quantity/Antal | | | | | | | | | | | | | | Description Benämning | |
|------|-----------------------------|----------------|----|----|-----|----|-----|----|----|-----|-----|----|----|----|---|--------------------------|-----------------------------------|
| | | 125 | | | 240 | | 250 | | | 500 | | | | | | | |
| | | CR | WR | XC | CR | WR | CR | WR | XC | WRE | WRU | CR | XC | AE | | | |
| 37 | 15 14 242-01 | | | 1 | | | | 1 | 1 | | | | 1 | | 1 | 1 | Gavel Gable |
| 38 | 15 14 200-01 | | | 1 | | | | 1 | 1 | | | | 1 | | 1 | 1 | Gnistsil Sparkarestor |
| 39 | 15 14 999-01 | | | 1 | | | | 1 | 1 | | | | 1 | | 1 | 1 | Gavel Gable |
| 40 | 15 19 864-01 | | | 2 | | | | 2 | 2 | | | | 2 | | 2 | 2 | Fjäder Spring |
| 41 | 15 14 244-01 | | | 1 | | | | 1 | 1 | | | | 1 | | 1 | 1 | Ljuddämpare Silencer |
| 43 | 15 13 251-02 | 1 | | | 1 | | | 1 | | | | | 1 | | | | Absorbent Absorber |
| N 44 | 15 13 305-01 3 | 1 | | 1 | | | | 1 | | | | | 1 | | | | Innerrör kpl. Innertube compl. |
| | 15 14 567-01 5 | | | | 1 | | | 1 | | | | | 1 | | | | Innerrör kpl. Innertube compl. |
| 45 | 72 95 842-03 | 3 | | | 3 | | | 3 | | | | | 3 | | | | Skruv Screw |
| 46 | 15 14 548-01 | | | | 1 | | | 1 | | | | | 1 | | | | Ljuddämpare Silencer |
| N 47 | 15 13 291-01 | 1 | 1 | | | | | | | | | | | | | | Ljuddämpare Silencer |
| 48 | 72 95 842-03 | | 3 | | | 3 | | | | | | | 3 | | | | Skruv Screw |
| 49 | ✓ 15 13 205-01 | | | | | 1 | | | | | | | 1 | | | | Absorbent Absorber |
| 50 | ✓ 15 13 207-01 | | | | | 1 | | | | | | | 1 | | | | Gavel Gable |
| 51 | 15 13 200-01 | | | | | 1 | | | | | | | 1 | | | | Ljuddämpare Silencer |
| 52 | 72 52 464-51 | 1 | 1 | 1 | 1 | 1 | 1 | 1 | 1 | 1 | 1 | 1 | 1 | 1 | 1 | 1 | Skruv M8 x 65 Screw |
| 53 | 15 13 319-01 | | | | 1 | 1 | | 1 | | | | | | | | | |
| 54 | 15 13 318-01 1 | | | | 1 | | | 1 | | | | | | | | | |
| 55 | 15 13 864-01 | | | | | 2 | | | | | | | | | | | |



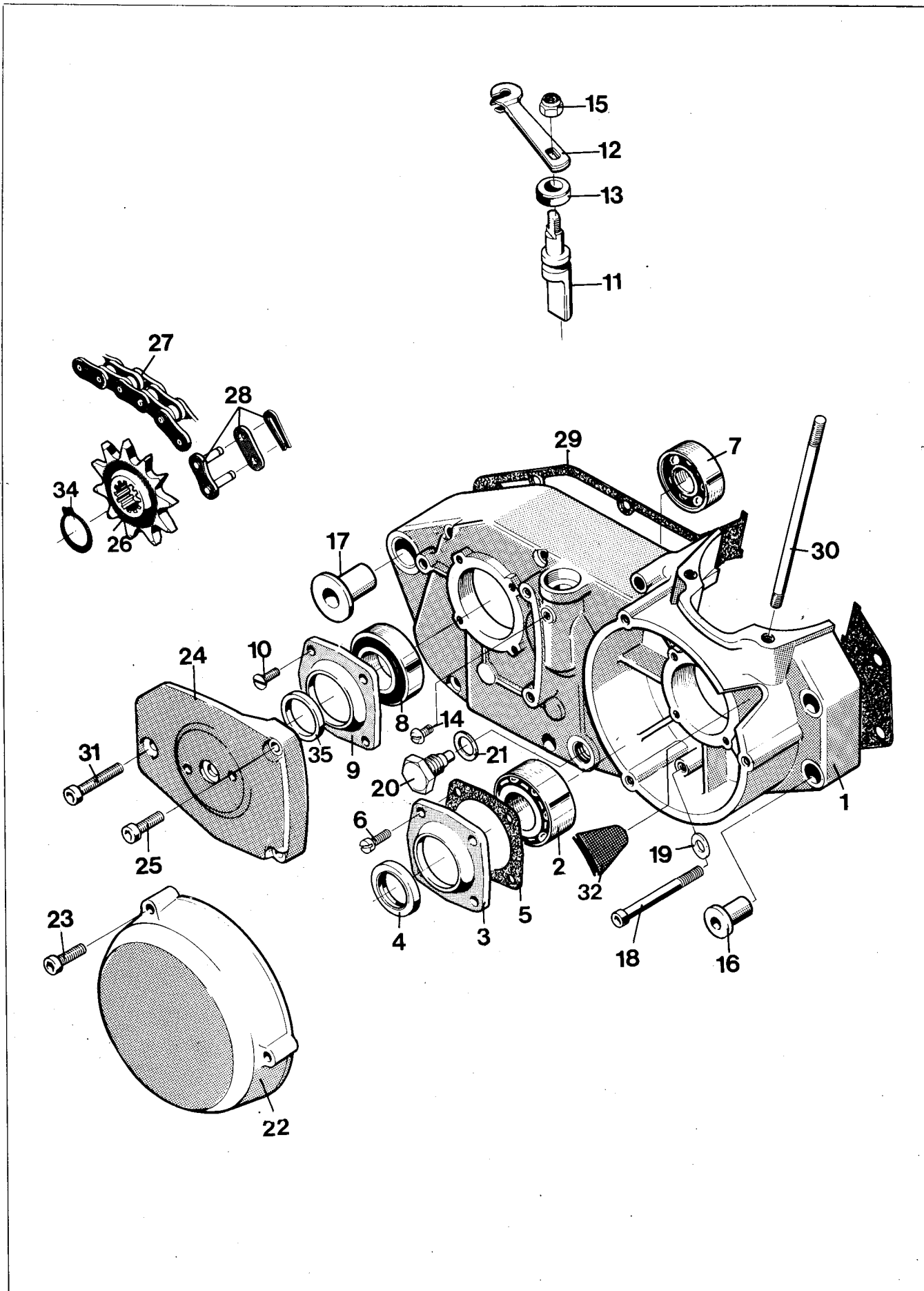
| Fig. | Part Number Detaljnummer | Quantity/Antal | | | | | | | | | | | | | Description Benämning | | | |
|-------|-----------------------------|----------------|----|----|-----|----|-----|----|----|-----|-----|----|----|----|--------------------------|--|--|---|
| | | 125 | | | 240 | | 250 | | | 500 | | | | | | | | |
| | | CR | WR | XC | CR | WR | CR | WR | XC | WRE | WRU | CR | XC | AE | | | | |
| | 1 | 16 19 677-01 | 1 | 1 | 1 | | | | | | | | | | | | | Vevhushalva, höger Crankcase halve right |
| N | | 16 19 848-01 | 1 | 1 | 1 | | | | | | | | | | | | | Vevhushalvor par Crankcasehalves pair |
| | 2 | 73 83 204-40 | 1 | 1 | 1 | | | | | | | | | | | | | Kullager Ball bearing |
| | 3 | 16 10 679-01 | 1 | 1 | 1 | | | | | | | | | | | | | Fläns Flange |
| | 4 | 16 10 681-01 | 1 | 1 | 1 | | | | | | | | | | | | | Tätning Seal |
| | 5 | 12 25 360-01 | 1 | 1 | 1 | | | | | | | | | | | | | Packning Gasket |
| | 6 | 72 31 328-51 | 4 | 4 | 4 | | | | | | | | | | | | | Skruv M5×14 Screw |
| | 7 | 73 51 146-50 | 4 | 4 | 4 | | | | | | | | | | | | | Fjäderbricka Washer |
| | 8 | 73 82 302-40 | 1 | 1 | 1 | | | | | | | | | | | | | Kullager Ball bearing |
| N | 9 | 16 16 351-01 | 1 | 1 | 1 | | | | | | | | | | | | | Kullager Ball bearing |
| | 10 | 16 11 778-01 | 1 | 1 | 1 | | | | | | | | | | | | | Fläns Flange |
| | 11 | 16 12 353-01 | 1 | 1 | 1 | | | | | | | | | | | | | Distans Spacer |
| | 13 | 72 35 328-55 | 4 | 4 | 4 | | | | | | | | | | | | | Skruv M5×14 Screw |
| N | 14 | 16 11 546-02 | 4 | 4 | 4 | | | | | | | | | | | | | Dragbult, cylinder Cylinder stud |
| | 15 | 16 10 774-01 | 1 | 1 | 1 | | | | | | | | | | | | | Frikopplingsaxel Declutching shaft |
| | 16 | 16 11 171-01 | 1 | 1 | 1 | | | | | | | | | | | | | Hävarm Lever |
| | 17 | 15 13 722-01 | 1 | 1 | 1 | | | | | | | | | | | | | Tätning Seal |
| | 18 | 73 44 878-00 | 1 | 1 | 1 | | | | | | | | | | | | | Bricka Washer |
| | 19 | 12 25 077-01 | 1 | 1 | 1 | | | | | | | | | | | | | Stoppskruv Screw |
| | 20 | 73 22 118-01 | 1 | 1 | 1 | | | | | | | | | | | | | Låsmutter M8 Nut |
| | 21 | 72 11 350-40 | 1 | 1 | 1 | | | | | | | | | | | | | Pinne Pin |
| | 22 | 16 12 537-01 | 1 | 1 | 1 | | | | | | | | | | | | | Magnetplugg Magneto plug |
| 22/83 | 23 | 12 25 025-01 ✓ | 1 | 1 | 1 | | | | | | | | | | | | | Packning Gasket |
| | 24 | 16 10 777-01 | 2 | 2 | 2 | | | | | | | | | | | | | Flänsbussning Flange sleeve |
| | 25 | 16 11 516-01 | 1 | 1 | 1 | | | | | | | | | | | | | Flänsbussning Flange sleeve |
| | 26 | 72 55 385-01 | 9 | 9 | 9 | | | | | | | | | | | | | Skruv M6×75 Screw |
| | 27 | 73 41 153-01 | 9 | 9 | 9 | | | | | | | | | | | | | Bricka 6,4×12,5 Washer |
| | 28 | 16 10 647-01 | 1 | 1 | 1 | | | | | | | | | | | | | Magnetkåpa Magneto cover |
| | 29 | 72 55 378-01 | 4 | 4 | 4 | | | | | | | | | | | | | Skruv M6×40 Screw |
| | 30 | 16 11 623-01 | 1 | 1 | 1 | | | | | | | | | | | | | Packning Gasket |
| | 31 | 16 11 560-01 | 1 | 1 | 1 | | | | | | | | | | | | | Kåpa Cover |
| | 32 | 72 55 380-01 | 1 | 1 | 1 | | | | | | | | | | | | | Skruv M6×50 Screw |
| | 33 | 72 55 376-01 | 2 | 2 | 2 | | | | | | | | | | | | | Skruv M6×35 Screw |
| | 34 | 16 11 641-01 | 1 | 1 | 1 | | | | | | | | | | | | | Vevhuspackning Gasket |
| | 35 | 16 14 728-01 | 1 | 1 | 1 | | | | | | | | | | | | | Genomföring Grommet |
| | 37 | 16 12 693-04 | 1 | | 1 | | | | | | | | | | | | | Kedjedrev Z = 13 Sprocket |
| | | 16 12 693-06 | | 1 | | | | | | | | | | | | | | Kedjedrev Z = 15 Sprocket |

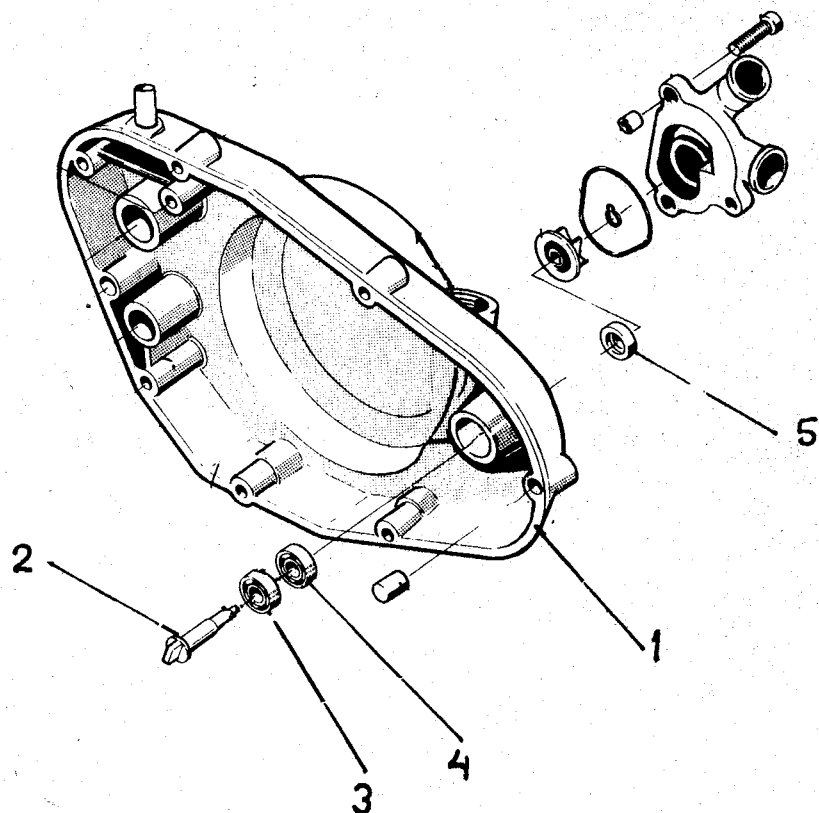


| Fig. | Part Number Detaljnummer | Quantity/Antal | | | | | | | | | | | | | Description Benämning | |
|-----------------------|-----------------------------|----------------|----|----|-----|----|-----|----|----|-----|-----|----|----|----|--------------------------|-----------------------------|
| | | 125 | | | 240 | | 250 | | | 500 | | | | | | |
| | | CR | WR | XC | CR | WR | CR | WR | XC | WRE | WRU | CR | XC | AE | | |
| 38 | 73 53 126-00 | 1 | 1 | 1 | | | | | | | | | | | | Spårring Circlip |
| 39 | 15 19 373-10 | 1 | | 1 | | | | | | | | | | | | Kedja 5/8×1/4 114 Chain |
| | 15 19 373-09 | | 1 | | | | | | | | | | | | | Kedja 5/8×1/4 112 Chain |
| 40 | 15 19 374-01 | 1 | 1 | 1 | | | | | | | | | | | | Kedjelås Master link |
| Tillbehör/Accessories | | | | | | | | | | | | | | | | |
| | 16 12 693-01 | | | | | | | | | | | | | | | Kedjedrev Front sprocket |
| | 16 12 693-02 | | | | | | | | | | | | | | | z = 10 |
| | 16 12 693-03 | | | | | | | | | | | | | | | z = 11 |
| | 16 12 693-05 | | | | | | | | | | | | | | | z = 12 |
| | 16 12 693-06 | | | | | | | | | | | | | | | z = 14 |
| | 16 12 693-07 | | | | | | | | | | | | | | | z = 15 |
| | 16 12 693-08 | | | | | | | | | | | | | | | z = 16 |
| | 16 19 852-01 | | | | | | | | | | | | | | | z = 17 |
| | | | | | | | | | | | | | | | | Packningssats Gasket set |



| Fig. | Part Number Detaljnummer | Quantity/Antal | | | | | | | | | | | | | Description Benämning |
|------|--|----------------|----|----|-----|----|-----|----|----|-----|-----|----|----|----|---|
| | | 125 | | | 240 | | 250 | | | 500 | | | | | |
| | | CR | WR | XC | CR | WR | CR | WR | XC | WRE | WRU | CR | XC | AE | |
| N | 16 19 844-01 | | | | 1 | | 1 | | | | | | | | Vevhus, kpl. Crankcase, compl. |
| N | 16 19 670-01 16 19 108-01 16 19 842-01 | | | | | 1 | | 1 | 1 | | 1 | 1 | 1 | 1 | Vevhushalva höger, kpl. Crankcase half, compl. |
| 1 | 16 19 822-01 16 19 672-01 | | | | 1 | | 1 | 1 | 1 | 1 | 1 | 1 | 1 | 1 | Vinkelkontaktkullager Ball bearing |
| 2 | 73 83 205-40 | | | | 1 | 1 | 1 | 1 | 1 | 1 | 1 | 1 | 1 | 1 | Vinkelkontaktkullager Ball bearing |
| 3 | 16 10 810-01 | | | | 1 | 1 | 1 | 1 | 1 | 1 | 1 | 1 | 1 | 1 | Fläns Flange |
| 4 | 15 13 725-01 | | | | 1 | 1 | 1 | 1 | 1 | 1 | 1 | 1 | 1 | 1 | Tätning Seal |
| 5 | 12 25 358-01 | | | | 1 | 1 | 1 | 1 | 1 | 1 | 1 | 1 | 1 | 1 | Packning Gasket |
| 6 | 72 31 328-51 | | | | 4 | 4 | 4 | 4 | 4 | 4 | 4 | 4 | 4 | 4 | Skruv M5×14 Screw |
| 7 | 73 82 302-40 | | | | 1 | 1 | 1 | 1 | 1 | 1 | 1 | 1 | 1 | 1 | Kullager Ball bearing |
| 8 | 73 82 205-28 | | | | 1 | 1 | 1 | 1 | 1 | 1 | 1 | 1 | 1 | 1 | Kullager Ball bearing |
| 9 | 16 11 778-01 | | | | 1 | 1 | 1 | 1 | 1 | 1 | 1 | 1 | 1 | 1 | Fläns Flange |
| 10 | 72 35 328-55 | | | | 4 | 4 | 4 | 4 | 4 | 4 | 4 | 4 | 4 | 4 | Skruv M5×14 Screw |
| 11 | 16 11 663-01 | | | | 1 | 1 | 1 | 1 | 1 | 1 | 1 | 1 | 1 | 1 | Frikopplingsaxel Declutching shaft |
| 12 | 16 11 171-01 | | | | 1 | 1 | 1 | 1 | 1 | 1 | 1 | 1 | 1 | 1 | Hävarm Lever |
| 13 | 15 13 722-01 | | | | 1 | 1 | 1 | 1 | 1 | 1 | 1 | 1 | 1 | 1 | Tätning Seal |
| 14 | 72 31 323-01 | | | | 1 | 1 | 1 | 1 | 1 | 1 | 1 | 1 | 1 | 1 | Skruv M5×8 Screw |
| 15 | 73 22 118-01 | | | | 1 | 1 | 1 | 1 | 1 | 1 | 1 | 1 | 1 | 1 | Låsmutter Nut |
| 16 | 16 10 777-01 | | | | 2 | 2 | 2 | 2 | 2 | 2 | 2 | 2 | 2 | 2 | Flänsbussning Flange sleeve |
| 17 | 16 11 516-01 | | | | 1 | 1 | 1 | 1 | 1 | 1 | 1 | 1 | 1 | 1 | Flänsbussning Flange sleeve |
| 18 | 72 55 385-01 | | | | 6 | 6 | 6 | 6 | 6 | 6 | 6 | 6 | 6 | 6 | Skruv M6×75 Screw |
| 19 | 73 41 153-01 | | | | 6 | 6 | 6 | 6 | 6 | 6 | 6 | 6 | 6 | 6 | Bricka 6,4×12,5 Washer |
| 20 | 16 12 537-01 | | | | 1 | 1 | 1 | 1 | 1 | 1 | 1 | 1 | 1 | 1 | Magnetbult Magneto plug |
| 21 | 12 25 025-01 ✓ | | | | 1 | 1 | 1 | 1 | 1 | 1 | 1 | 1 | 1 | 1 | Packning Gasket |
| 22 | 16 11 640-01 | | | | 1 | 1 | 1 | 1 | 1 | 1 | 1 | 1 | 1 | 1 | Magnetkåpa Magneto cover |
| 23 | 72 55 378-01 | | | | 3 | 3 | 3 | 3 | 3 | 3 | 3 | 3 | 3 | 3 | Skruv M6×40 Screw |
| 24 | 16 11 816-01 | | | | 1 | 1 | 1 | 1 | 1 | 1 | 1 | 1 | 1 | 1 | Kåpa Cover |
| 25 | 72 55 374-01 | | | | 2 | 2 | 2 | 2 | 2 | 2 | 2 | 2 | 2 | 2 | Skruv M6×30 Screw |
| 26 | 16 12 693-08 | | | | | | | | | 1 | | | | | Kedjedrev z = 17 Sprocket = 17 |
| | 16 12 693-03 | | | | 1 | | 1 | | | | 1 | | | | Kedjedrev z = 12 Sprocket = 12 |
| | 16 12 693-04 | | | | | | | 1 | 1 | | | | 1 | | Kedjedrev z = 13 Sprocket = 13 |
| | 16 12 693-05 | | | | | | | | | | 1 | | | | Kedjedrev = 14 Sprocket = 14 |
| N | 16 12 693-07 | | | | | 1 | | | | | | | | | Kedjedrev z = 16 Sprocket = 16 |
| 27 | 15 19 760-09 | | | | 1 | 1 | 1 | 1 | 1 | 1 | 1 | 1 | 1 | 1 | Drivkedja 5/8×1/4" 112 länk Chain |
| 28 | 15 19 759-01 | | | | 1 | 1 | 1 | 1 | 1 | 1 | 1 | 1 | 1 | 1 | Kedjelås Chain lock |
| N | 16 11 667-01 16 11 667-02 | | | | 1 | 1 | 1 | 1 | 1 | | 1 | 1 | 1 | 1 | Packning Gasket |
| 30 | 16 11 883-03 | | | | 4 | | 4 | | | | 1 | 1 | 1 | 1 | Dragbult Cylinder stud |
| | 16 11 883-02 | | | | | 4 | | 4 | 4 | 4 | 4 | 4 | 4 | 4 | Skruv M6×36 Screw |
| 31 | 72 55 376-01 | | | | 1 | 1 | 1 | 1 | 1 | | 1 | 1 | 1 | 1 | Skruv M6×36 Screw |
| 32 | 16 14 728-01 | | | | 1 | 1 | 1 | 1 | 1 | | 1 | 1 | 1 | 1 | Kabelgenomföring Grommet |





Bitte beachten Sie die neuen Bestellnummern:

| | | | |
|----|--|---------|--------------|
| 1. | Transmissionskåpa, transmission cover | 125 | 16 19 849-02 |
| | " | " | " |
| | " | 240-400 | 16 19 845-02 |
| | Getriebedeckel | | |
| 2. | Pumpaxel, pump shaft | | 16 17 966-01 |
| | Pumpenwelle | | |
| 3. | Kullager, ballbearing | | 73 82 198-00 |
| | Kugellager | | |
| 4. | Enkeltätat kullager, single sealed ballbearing | | 73 82 198-04 |
| | Einzel abgedichtetes Kugellager | | |
| 5. | Tätning, seal | | 16 17 958-01 |
| | Dichtung (Simmering) | | |



LAGRING VATTENPUMP 125-400 LC

Vi har till 85 års modeller infört en ny lagring av pumpaxeln i transmissionskåpan på både 125, 240, 250 och 400 LC.

Detta innebär att man från insidan först monterar ett enkeltätat kullager och därefter det vanliga kullagret. Från utsidan (vattensidan) monteras endast en tätningring.

I och med att pumpaxeln är lagrad i två kullager är det inte nödvändigt att den lagras i pumphuset och därför är axeln kapad utanför låsringen till pumphjulet. På transkåporna syns skillnaden på att lagerläget på insidan är dubbelt så brett.

Det nya utförandet kommer att ersätta det gamla.

Var vänlig notera de nya numren.

BEARINGS, WATER PUMP 125-400 LC

LAGER, WASSERPUMPE 125-400 LC (wassergekühlt)

For our 85 models, we have introduced a new support for the pump shaft in the transmission cover on all 125-400 LC's.

This means that from the inside you install first a single sealed bearing with the seal towards the outside and after that the usual ballbearing. From the outside you only install one seal.

Because of the two bearings it is not necessary to support the shaft in the pump housing, therefore the shaft is cut just outside the circlip groove for the pump wheel. The difference on the covers is that the seat for the bearings is twice as wide.

The new type of covers will replace the old ones.

Please note the new part Nos.

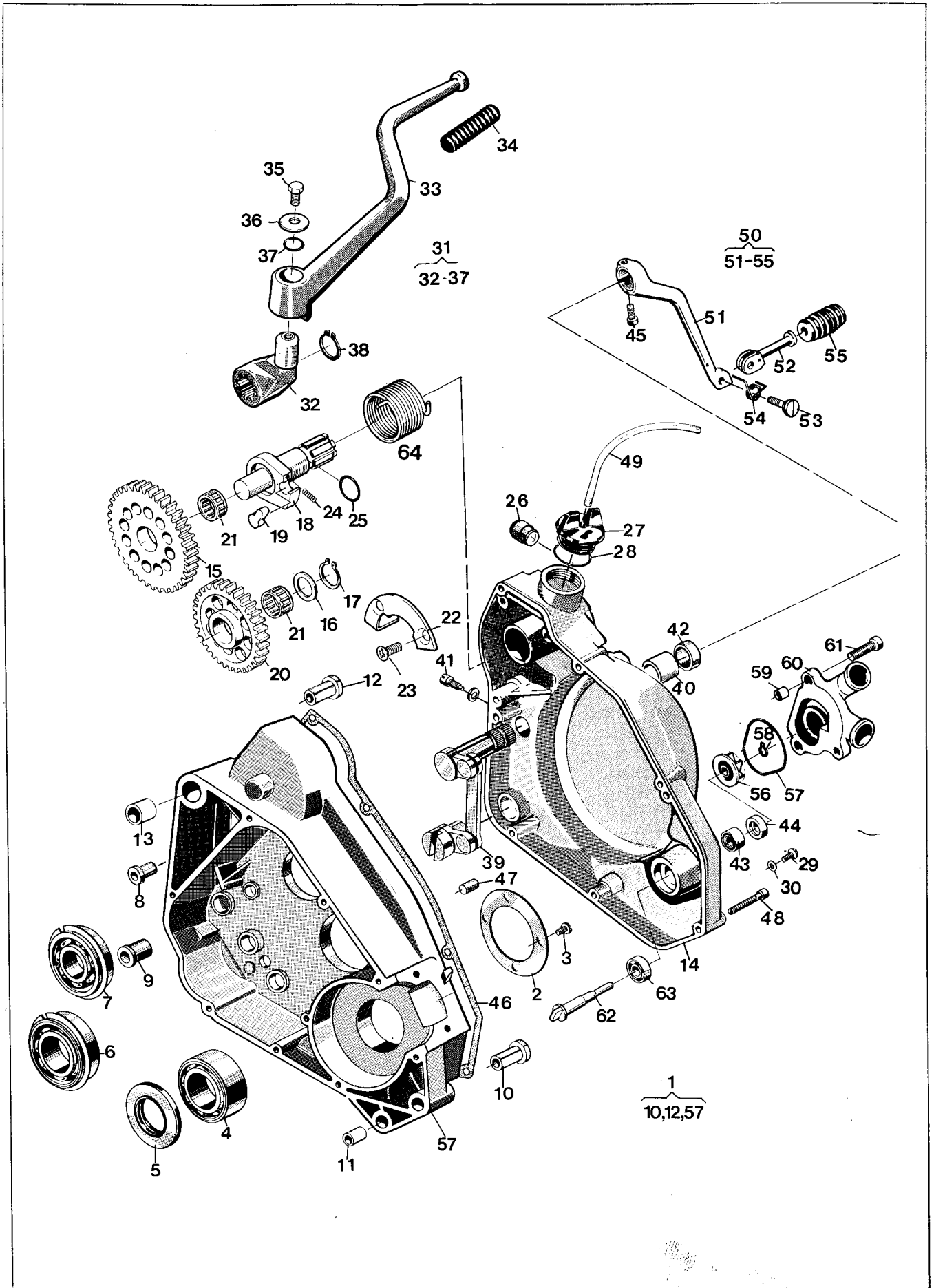
Für unsere 85iger Modelle haben wir einen neuen Halter für die Wasserpumpenwelle im Getriebedeckel in allen 125-400 LC hergestellt. Deshalb montiert man von Innen ein einzelnes abgedichtetes Lager mit der Dichtung nach außen und danach das gewöhnliche Kugellager. Von außen montiert man nur eine Dichtung (Simmerring). Wegen den zwei Lagern ist es nun nicht mehr nötig, die Welle in dem Pumpengehäuse zu stützen, dafür ist die Welle außen gerade abgeschnitten. Die Vertiefungsrinne ist für das Pumpenrad. Der Unterschied am Deckel ist, daß die Dichtung für das Lager zwei noch zu groß ist. Der alte Deckel wird durch den neuen ersetzt.

Bitte wenden !!^{1,0}!!

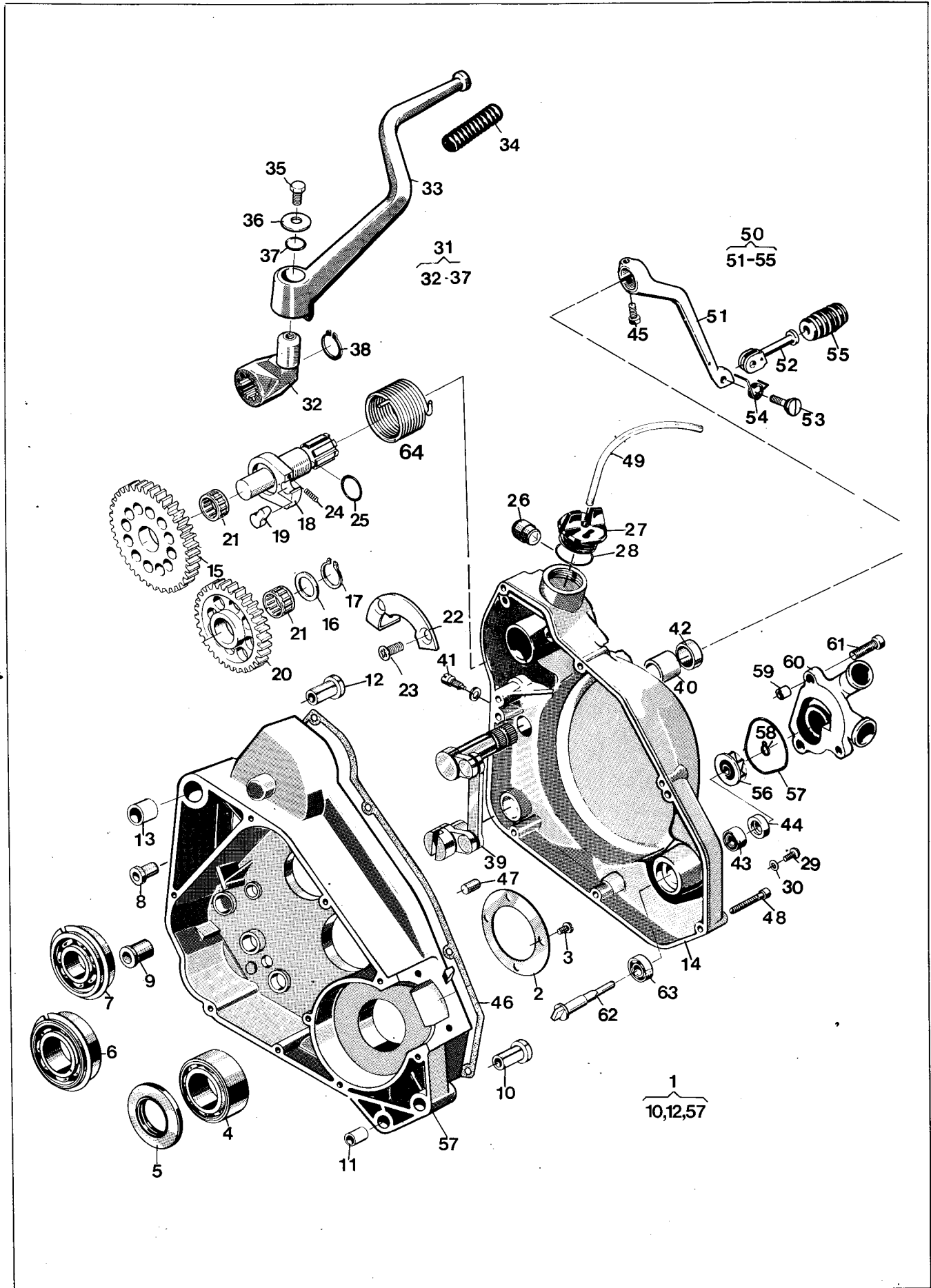
06-84

13-035

| Fig. | Part Number Detaljnummer | Quantity/Antal | | | | | | | | | | | | Description Benämning | |
|------|-----------------------------|----------------|----|----|-----|----|-----|----|----|-----|-----|----|----|--------------------------|--------------------|
| | | 125 | | | 240 | | 250 | | | 500 | | | | | |
| | | CR | WR | XC | CR | WR | CR | WR | XC | WRE | WRU | CR | XC | | AE |
| N 33 | 16 19 851-01 | | | | 1 | | 1 | | | | | | | | Packningssats |
| | 16 19 668-01 | | | | | 1 | | 1 | 1 | 1 | 1 | 1 | 1 | | Gasket set |
| | 16 19 673-01 | | | | | | | | | | | | | | Gasket set |
| 34 | 73 53 126-00 | | | | 1 | 1 | 1 | 1 | 1 | 1 | 1 | 1 | 1 | | Låsring Circlip |
| 35 | 16 12 353-01 | | | | 1 | 1 | 1 | 1 | 1 | 1 | 1 | 1 | 1 | | Distans Spacer |



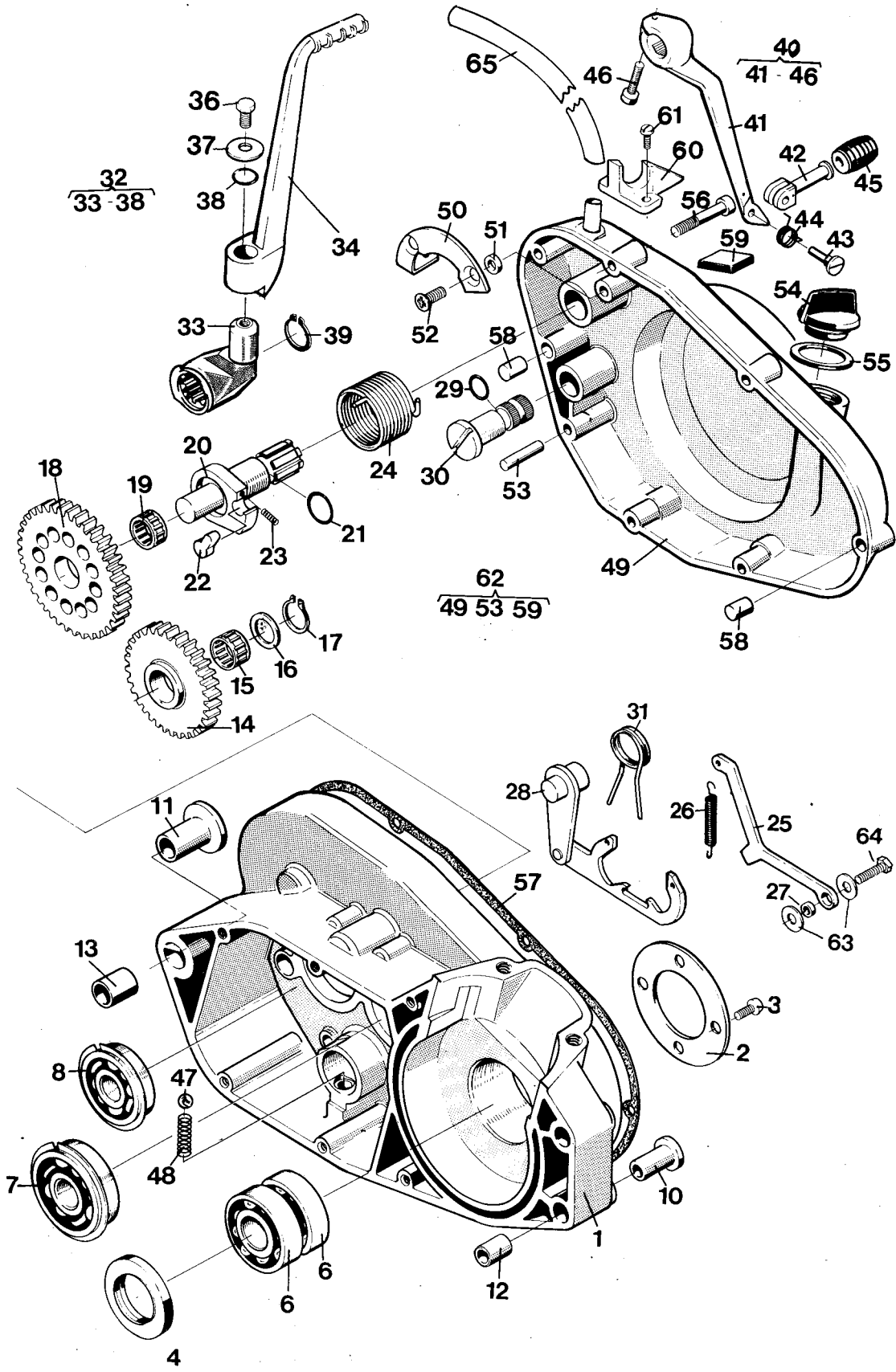
| Fig. | Part Number Detaljnummer | Quantity/Antal | | | | | | | | | | | | | Description Benämning | | |
|-------|-----------------------------|------------------------------|----|----|-----|----|-----|----|----|-----|-----|----|----|----|--------------------------|--|---|
| | | 125 | | | 240 | | 250 | | | 500 | | | | | | | |
| | | CR | WR | XC | CR | WR | CR | WR | XC | WRE | WRU | CR | XC | AE | | | |
| N | 1 | 16 19 847-01 | 1 | 1 | 1 | | | | | | | | | | | | Vevhushalva, vänster Crankcase halve left |
| N | | 16 19 848-01 | 1 | 1 | 1 | | | | | | | | | | | | Vevhushalvor par Crankcase halves pair |
| | 2 | 16 11 566-01 | 1 | 1 | 1 | | | | | | | | | | | | Stödbricka Support washer |
| | 3 | 72 52 331-86 | 4 | 4 | 4 | | | | | | | | | | | | Skruv M5x20 Screw |
| | 4 | 73 83 204-40 | 1 | 1 | 1 | | | | | | | | | | | | Kullager SKF 3204/C3 Ball bearing |
| | 5 | 15 13 724-01 | 1 | 1 | 1 | | | | | | | | | | | | Tätning Seal |
| | 6 | 15 13 721-01 | 1 | 1 | 1 | | | | | | | | | | | | Kullager SKF 6205 NR/C3 Ball bearing |
| | 7 | 15 13 720-01 | 1 | 1 | 1 | | | | | | | | | | | | Kullager SKF 6303 NR/C3 Ball bearing |
| | 8 | 16 11 465-01 | 2 | 2 | 2 | | | | | | | | | | | | Bussning Bushing |
| | 9 | 12 25 356-01 | 1 | 1 | 1 | | | | | | | | | | | | Bussning Bushing |
| | 10 | 16 10 777-01 | 2 | 2 | 2 | | | | | | | | | | | | Flänsbussning Flange sleeve |
| | 11 | 16 10 776-01 | 1 | 1 | 1 | | | | | | | | | | | | Styrhylsa Steering sleeve |
| | 12 | 16 11 516-01 | 1 | 1 | 1 | | | | | | | | | | | | Flänsbussning Flange sleeve |
| | 13 | 16 11 527-01 | 1 | 1 | 1 | | | | | | | | | | | | Styrhylsa Steering sleeve |
| N | 14 | 16 19 849-01 | 1 | 1 | 1 | | | | | | | | | | | | Vevhuskåpa, vänster Transmission cover |
| N | 15 | 16 11 282-01 | 1 | 1 | 1 | | | | | | | | | | | | Kickhjul Gearwheel kickstart |
| | 16 | 15 13 714-01 | 1 | 1 | 1 | | | | | | | | | | | | Bricka Washer |
| | 17 | 73 53 118-00 | 1 | 1 | 1 | | | | | | | | | | | | Spärring Circlip |
| | 18 | 16 11 677-01 | 1 | 1 | 1 | | | | | | | | | | | | Kickaxel Kickshaft |
| | 19 | 16 11 680-01 | 1 | 1 | 1 | | | | | | | | | | | | Medbringare Pawl |
| N | 20 | 16 11 281-01 | 1 | 1 | 1 | | | | | | | | | | | | Mellanhjul Idle gear |
| | 21 | 16 11 675-01 | 1 | 1 | 1 | | | | | | | | | | | | Nållager Needle bearing |
| N | 22 | 16 11 284-01 | 1 | 1 | 1 | | | | | | | | | | | | Fjäderhållare Spring holder |
| | 23 | 72 52 331-05 | 2 | 2 | 2 | | | | | | | | | | | | Skruv Screw |
| | 24 | 16 11 681-01 | 1 | 1 | 1 | | | | | | | | | | | | Fjäder Spring |
| | 25 | 74 04 313-00 | 1 | 1 | 1 | | | | | | | | | | | | O-ring |
| 82/83 | 26 | 12 25 446-01 16 11 709-01 | 1 | 1 | 1 | | | | | | | | | | | | Buffert Buffer |
| | 27 | 16 10 786-01 | 1 | 1 | 1 | | | | | | | | | | | | Lock Cap |
| | 28 | 50 12 782-01 | 1 | 1 | 1 | | | | | | | | | | | | Packning Gasket |
| | 29 | 72 31 364-01 | 1 | 1 | 1 | | | | | | | | | | | | Skruv M6x10 Screw |
| | 30 | 16 10 823-01 | 1 | 1 | 1 | | | | | | | | | | | | Packning Gasket |
| | 31 | 16 11 696-01 | 1 | 1 | 1 | | | | | | | | | | | | Kickstartpedal, kpl. Kick starter pedal compl. |
| | 32 | 16 11 672-01 | 1 | 1 | 1 | | | | | | | | | | | | Underdel, kick Lower part |
| | 33 | 16 12 731-01 | 1 | 1 | 1 | | | | | | | | | | | | Kickstartpedal Kick starter pedal |
| 82/83 | 34 | 12 25 702-01 | 1 | 1 | 1 | | | | | | | | | | | | Pedalgummi Pedal rubber |
| | 35 | 72 55 368-01 | 1 | 1 | 1 | | | | | | | | | | | | Skruv M6x16 Screw |
| | 36 | 15 13 709-01 | 1 | 1 | 1 | | | | | | | | | | | | Bricka 6,5x22 Washer |
| | 37 | 74 04 310-00 | 1 | 1 | 1 | | | | | | | | | | | | O-ring |
| | 38 | 73 53 122-00 | 1 | 1 | 1 | | | | | | | | | | | | Spärring Circlip |
| | 39 | 16 11 535-01 | 1 | 1 | 1 | | | | | | | | | | | | Växelmekanism, kpl. Gear links compl. |



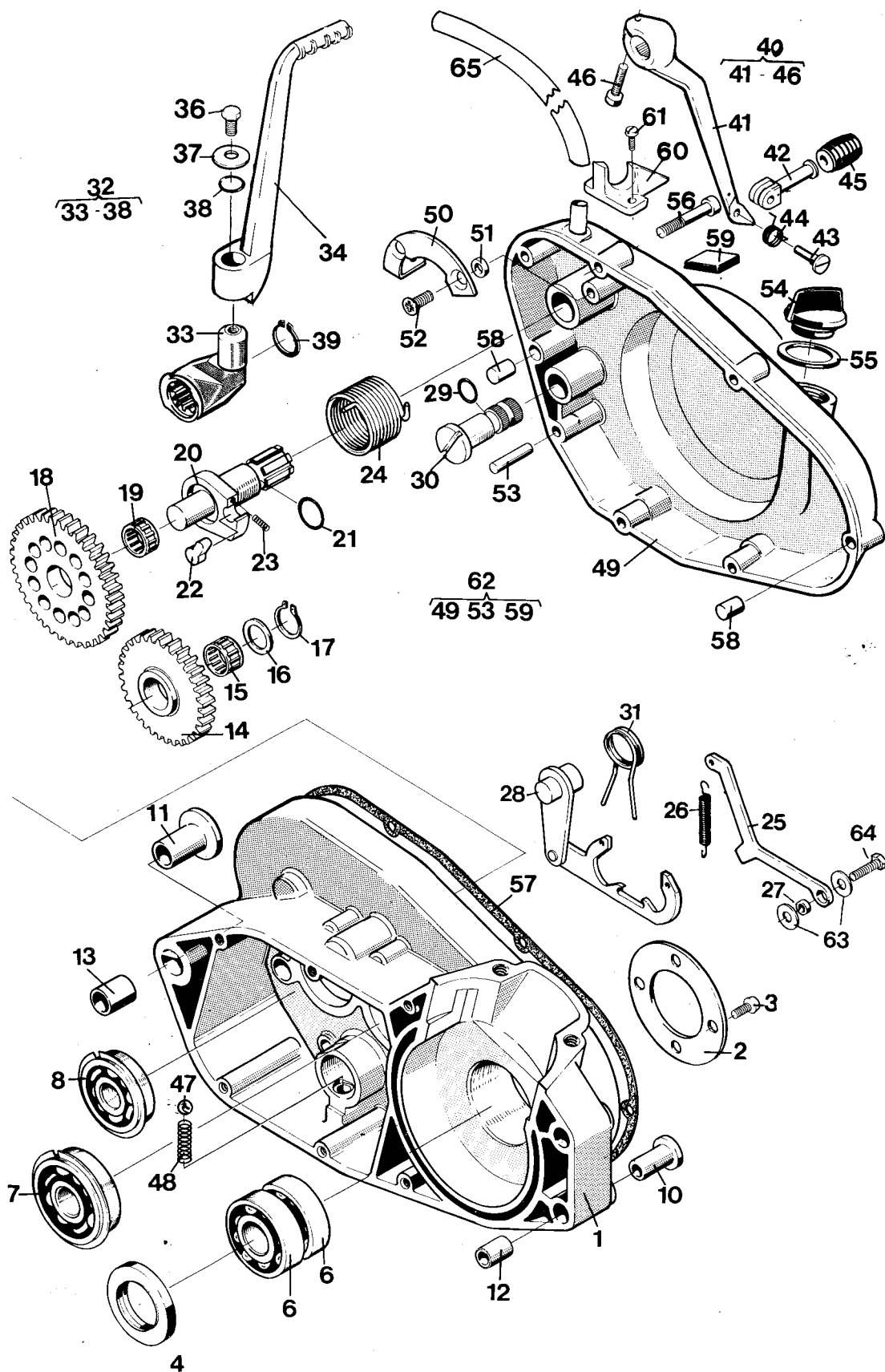
| Fig. | Part Number Detaljnummer | Quantity/Antal | | | | | | | | | | | | | Description Benämning | |
|------|-----------------------------|--|----|----|-----|-----|-----|------|----|-----|-----|----|----|----|--------------------------|------------------------------|
| | | 125 | | | 240 | | 250 | | | 500 | | | | | | |
| | | CR | WR | XC | CR | WR | CR | WR | XC | WRE | WRU | CR | XC | AE | | |
| | 40 | 16 11 474-01 | 1 | 1 | 1 | | | | | | | | | | | Bussning Bushing |
| | 41 | 12 25 077-01 | 1 | 1 | 1 | | | | | | | | | | | Stoppskruv Screw |
| | 42 | 50 32 002-05 | 1 | 1 | 1 | 151 | 373 | 3-01 | | | | | | | | Tättring Seal |
| N | 43 | 16 17 959-01 | 1 | 1 | 1 | | | | | | | | | | | Tättring Seal |
| N | 44 | 16 17 958-01 | 1 | 1 | 1 | | | | | | | | | | | Tättring Seal |
| | 45 | 72 55 370-01 | 1 | 1 | 1 | | | | | | | | | | | Skruv M6×20 Screw |
| | 46 | 16 10 792-01 | 1 | 1 | 1 | | | | | | | | | | | Packning Gasket |
| | 47 | 15 13 712-01 | 2 | 2 | 2 | | | | | | | | | | | Cyl.pinne Dowel pin |
| | 48 | 72 55 376-01 | 7 | 7 | 7 | | | | | | | | | | | Skruv M6×35 Screw |
| | 49 | 12 25 621-10 | 1 | 1 | 1 | | | | | | | | | | | Slang/m 4,8×8 Hose/m |
| | 50 | 16 12 683-01 | 1 | 1 | 1 | | | | | | | | | | | Fotväxelpedal Shift lever |
| | 53 | 16 12 686-01 | 1 | 1 | 1 | | | | | | | | | | | Skruv Screw |
| | 54 | 16 12 687-01 | 1 | 1 | 1 | | | | | | | | | | | Fjäder Spring |
| | 55 | 16 12 688-01 | 1 | 1 | 1 | | | | | | | | | | | Pedalgummi Pedal rubber |
| N | 56 | 16 17 951-01 | 1 | 1 | 1 | | | | | | | | | | | Pumphjul Pumpwheel |
| N | 57 | 16-17 964-01 74 02 034-03 | 1 | 1 | 1 | | | | | | | | | | | O-ring |
| N | 58 | 73 53 108-01 | 1 | 1 | 1 | | | | | | | | | | | Låsring Circlip |
| N | 59 | 16 17 955-01 | 2 | 2 | 2 | | | | | | | | | | | Styrstift Peg |
| N | 60 | 16 17 957-01 | 1 | 1 | 1 | | | | | | | | | | | Pumphus Pumphousing |
| | 61 | 72 55 371-01 | 3 | 3 | 3 | | | | | | | | | | | Skruv M6×22 Screw |
| N | 62 | 16 17 952-01 | 1 | 1 | 1 | | | | | | | | | | | Pumpaxel Pump shaft |
| N | 63 | 73 82 198-00 | 1 | 1 | 1 | | | | | | | | | | | Kullager Bearing |
| | 64 | 16 11 682-01 | 1 | 1 | 1 | | | | | | | | | | | Kickfjäder Spring |

Vevhushalva, vänster
Crankcase, left

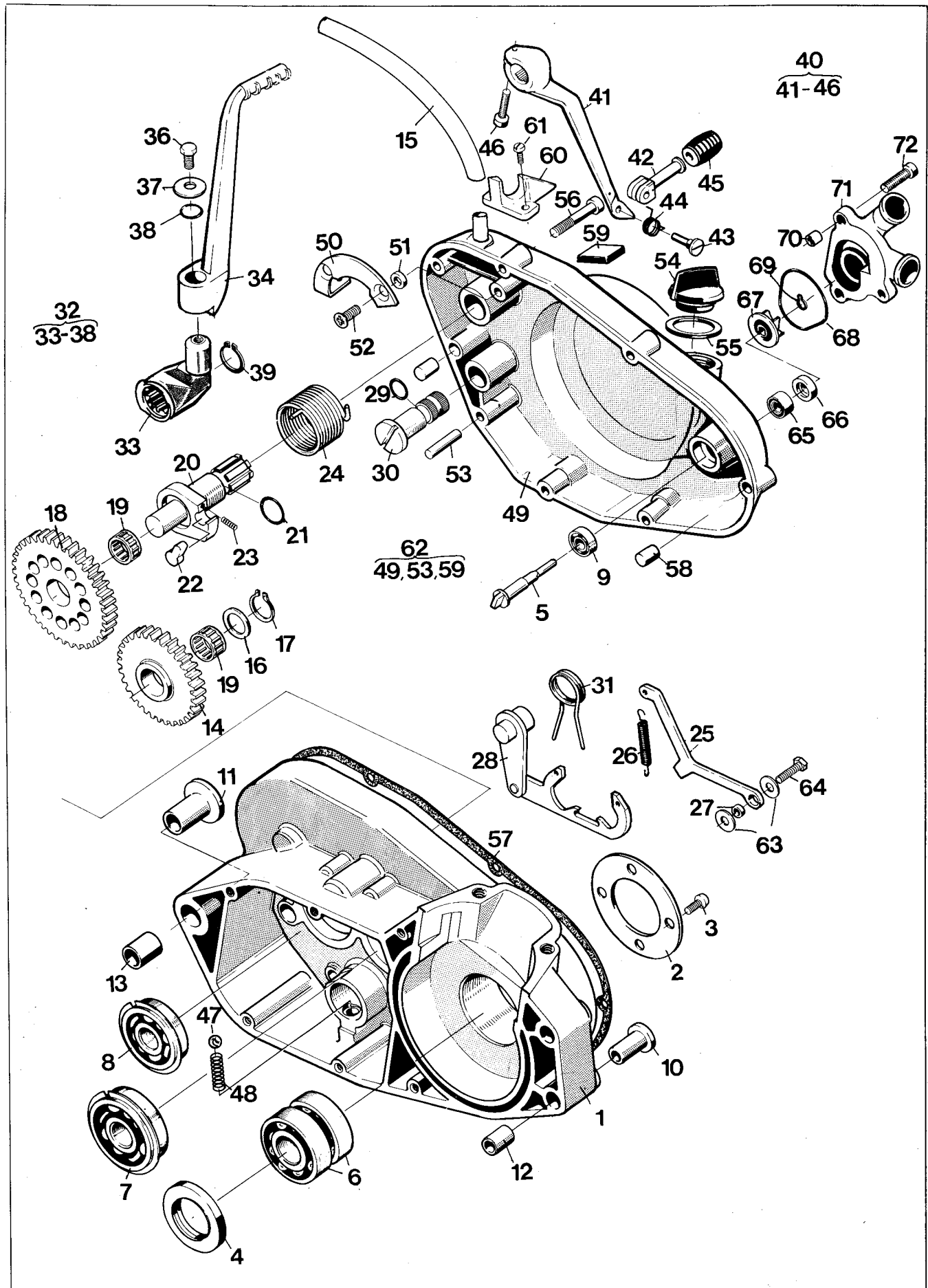
240, 250, 500



| Fig. | Part Number Detaljnummer | Quantity/Antal | | | | | | | | | | | | | Description Benämning | | | |
|------|------------------------------|----------------|----|----|-----|----|-----|----|----|-----|-----|----|----|----|--------------------------|--|--|---|
| | | 125 | | | 240 | | 250 | | | 500 | | | | | | | | |
| | | CR | WR | XC | CR | WR | CR | WR | XC | WRE | WRU | CR | XC | AE | | | | |
| 1 | 16 19 823-01 16 19 671-01 | | | | | 1 | | | 1 | 1 | 1 | | | | | | | Vevhushalva, vänster komplett Crankcase halve left |
| 2 | 16 10 779-01 | | | | | 1 | | | 1 | 1 | 1 | | | | | | | Stödbricka Support washer |
| 3 | 72 52 331-86 | | | | | 4 | | | 4 | 4 | 4 | | | | | | | Skruv M6S 5x20 Screw |
| 4 | 15 13 726-01 | | | | | 1 | | | 1 | 1 | 1 | | | | | | | Tätning Seal |
| 6 | 73 82 205-25 | | | | | 2 | | | 2 | 2 | 2 | | | | | | | Kullager Ball bearing |
| 7 | 15 13 721-01 | | | | | 1 | | | 1 | 1 | 1 | | | | | | | Kullager Ball bearing |
| 8 | 15 13 720-01 | | | | | 1 | | | 1 | 1 | 1 | | | | | | | Kullager Ball bearing |
| 10 | 16 10 777-01 | | | | | 2 | | | 2 | 2 | 2 | | | | | | | Flänsbussning Flange sleeve |
| 11 | 16 11 516-01 | | | | | 1 | | | 1 | 1 | 1 | | | | | | | Flänsbussning Flange sleeve |
| 12 | 16 10 776-01 | | | | | 1 | | | 1 | 1 | 1 | | | | | | | Styrhylsa, fram Steering sleeve |
| 13 | 16 11 527-01 | | | | | 1 | | | 1 | 1 | 1 | | | | | | | Styrhylsa, bak Steering sleeve |
| N 14 | 16 11 271-01 | | | | | 1 | | | 1 | 1 | 1 | | | | | | | Mellanhjul Cog wheel <i>84 → godkännt</i> |
| 15 | 16 11 675-01 | | | | | 1 | | | 1 | 1 | 1 | | | | | | | Nålållare Needle holder |
| 16 | 15 13 714-01 | | | | | 1 | | | 1 | 1 | 1 | | | | | | | Bricka Washer |
| 17 | 73 53 118-00 | | | | | 1 | | | 1 | 1 | 1 | | | | | | | Spärring Circlip |
| N 18 | 16 11 270-01 | | | | | 1 | | | 1 | 1 | 1 | | | | | | | Kugghjul Gear wheel <i>84 - godkännt</i> |
| 19 | 16 11 675-01 | | | | | 1 | | | 1 | 1 | 1 | | | | | | | Nålhylsa Sleeve |
| 20 | 16 11 677-01 | | | | | 1 | | | 1 | 1 | 1 | | | | | | | Kickaxel Shaft |
| 21 | 74 04 313-00 | | | | | 1 | | | 1 | 1 | 1 | | | | | | | O-ring O-ring |
| 22 | 16 11 680-01 | | | | | 1 | | | 1 | 1 | 1 | | | | | | | Medbringare Driving |
| 23 | 16 11 681-01 | | | | | 1 | | | 1 | 1 | 1 | | | | | | | Fjäder Spring |
| 24 | 16 11 682-01 | | | | | 1 | | | 1 | 1 | 1 | | | | | | | Kickfjäder Spring |
| 25 | 16 11 683-01 | | | | | 1 | | | 1 | 1 | 1 | | | | | | | Lägeshake Hook link |
| 26 | 16 11 684-01 | | | | | 1 | | | 1 | 1 | 1 | | | | | | | Fjäder Spring |
| 27 | 16 11 216-01 | | | | | 1 | | | 1 | 1 | 1 | | | | | | | Bussning Bushing |
| 28 | 16 11 686-01 | | | | | 1 | | | 1 | 1 | 1 | | | | | | | Växelmatare Kicker |
| 29 | 74 04 211-00 | | | | | 2 | | | 2 | 2 | 2 | | | | | | | O-ring O-ring |
| 30 | 16 11 746-01 | | | | | 1 | | | 1 | 1 | 1 | | | | | | | Växlingsaxel Shaft |
| 31 | 16 11 692-01 | | | | | 1 | | | 1 | 1 | 1 | | | | | | | Atergångsfjäder Return spring |
| N 32 | 16 11 295-01 | | | | | 1 | | | 1 | 1 | 1 | | | | | | | Kickstartvev Kick starter cpl |
| 33 | 16 11 672-01 | | | | | 1 | | | 1 | 1 | 1 | | | | | | | Underdel, kick Lower part, kickstarter |
| N 34 | 16 11 288-01 | | | | | 1 | | | 1 | 1 | 1 | | | | | | | Kickstartpedal Kick starter pedal |
| 36 | 72 55 368-01 | | | | | 1 | | | 1 | 1 | 1 | | | | | | | Skruv M6x16 Screw |
| 37 | 15 13 709-01 | | | | | 1 | | | 1 | 1 | 1 | | | | | | | Bricka Washer |
| 38 | 74 04 310-00 | | | | | 1 | | | 1 | 1 | 1 | | | | | | | O-ring O-ring |
| 39 | 73 53 122-00 | | | | | 1 | | | 1 | 1 | 1 | | | | | | | Spärring Circlip |
| 40 | 16 12 683-01 | | | | | 1 | | | 1 | 1 | 1 | | | | | | | Forväxelpedal, kpl. Shift lever compl. |

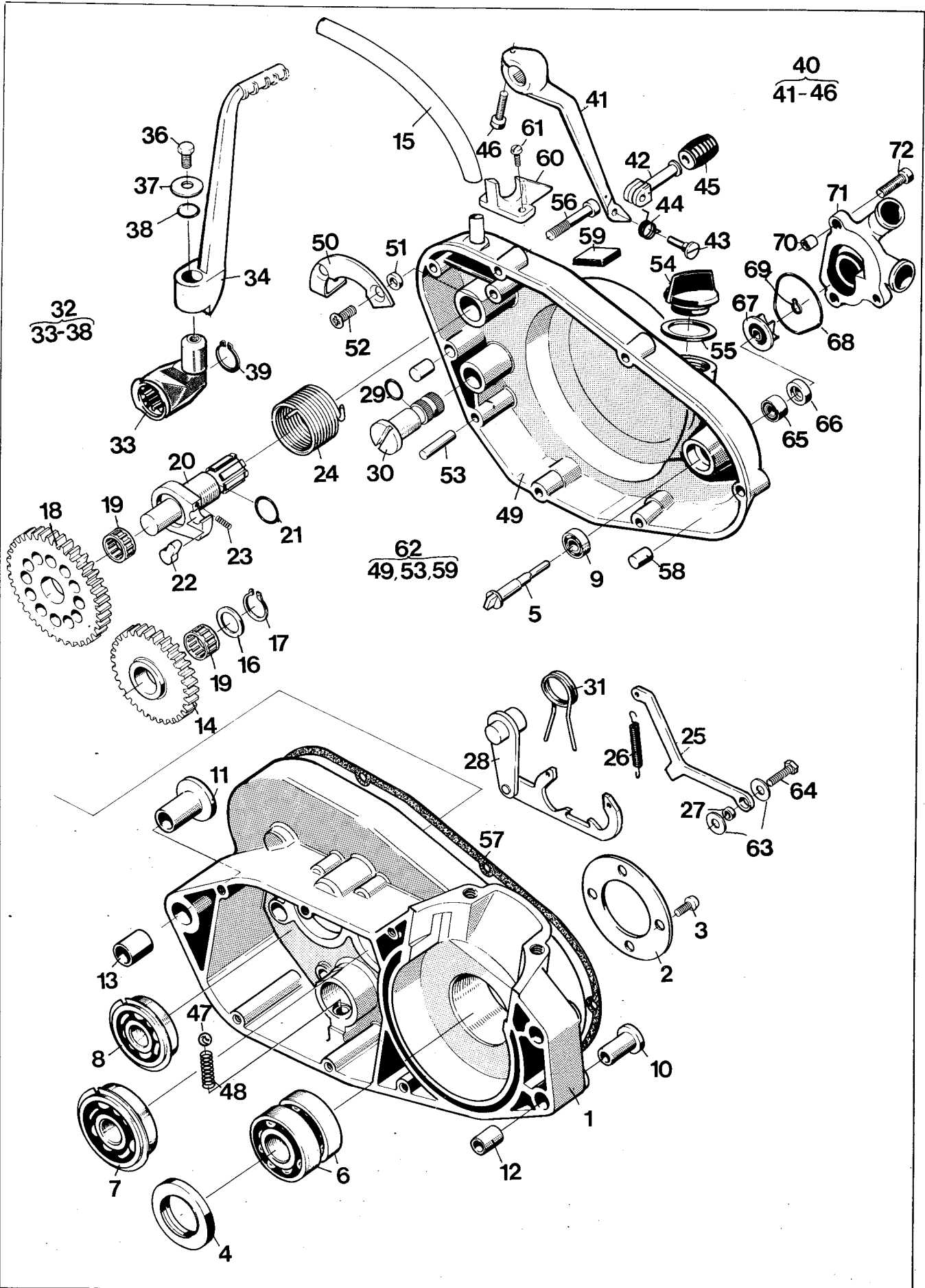


| Fig. | Part Number Detaljnummer | Quantity/Antal | | | | | | | | | | | | | Description Benämning | |
|------|--|----------------|----|----|-----|----|-----|----|----|-----|-----|----|----|----|--------------------------|---|
| | | 125 | | | 240 | | 250 | | | 500 | | | | | | |
| | | CR | WR | XC | CR | WR | CR | WR | XC | WRE | WRU | CR | XC | AE | | |
| 43 | 16 12 686-01 | | | | | 1 | | | 1 | 1 | 1 | 1 | 1 | 1 | | Ledskruv Screw |
| 44 | 16 12 687-01 | | | | | 1 | | | 1 | 1 | 1 | 1 | 1 | 1 | | Fjäder Spring |
| 45 | 16 12 688-01 | | | | | 1 | | | 1 | 1 | 1 | 1 | 1 | 1 | | Pedalgummi Pedal rubber |
| 46 | 72 55 370-01 | | | | | 1 | | | 1 | 1 | 1 | 1 | 1 | 1 | | Skruv M6×22 Screw |
| 47 | 73'86 130-03 | | | | | 1 | | | 1 | 1 | 1 | 1 | 1 | 1 | | Kula Ball |
| 48 | 16 12 745-01 | | | | | 1 | | | 1 | 1 | 1 | 1 | 1 | 1 | | Fjäder Spring |
| 50 | 16 11 704-01 | | | | | 1 | | | 1 | 1 | 1 | 1 | 1 | 1 | | Fjäderhållare Spring holder |
| 51 | 16 11 706-01 | | | | | 2 | | | 2 | 2 | 2 | 2 | 2 | 2 | | Distans Distance |
| 52 | 72 43 370-50 | | | | | 2 | | | 2 | 2 | 2 | 2 | 2 | 2 | | Skruv M6×20 Screw |
| 53 | 72 01 361-50 | | | | | 1 | | | 1 | 1 | 1 | 1 | 1 | 1 | | Räffelpinne Pin |
| 54 | 50 11 538-03 | | | | | 1 | | | 1 | 1 | 1 | 1 | 1 | 1 | | Tanklock Cap |
| 55 | 50 12 782-01 | | | | | 1 | | | 1 | 1 | 1 | 1 | 1 | 1 | | Tanklockspackning Gasket |
| 56 | 72 55 379-01 | | | | | 6 | | | 6 | 6 | 6 | 6 | 6 | 6 | | Skruv M6×45 Screw |
| 57 | 16 11 650-01 | | | | | 1 | | | 1 | 1 | 1 | 1 | 1 | 1 | | Packning Gasket |
| 58 | 16 11 708-01 | | | | | 2 | | | 2 | 2 | 2 | 2 | 2 | 2 | | Styrhylsa Steering sleeve |
| 59 | 16 11 709-01 | | | | | 1 | | | 1 | 1 | 1 | 1 | 1 | 1 | | Gummistop, kickstart Buffer |
| 60 | 16 11 ²⁴⁶⁻⁰¹ 848-01 | | | | | 1 | | | 1 | 1 | 1 | 1 | 1 | 1 | | Hållare, kickpedal Holder |
| 61 | 72 31 328-01 | | | | | 2 | | | 2 | 2 | 2 | 2 | 2 | 2 | | Skruv M5×14 Screw |
| 62 | 16 19 824-01 | | | | | 1 | | | 1 | 1 | 1 | 1 | 1 | 1 | | Vevhuskåpa vänster, kpl. Transmission cover compl. |
| 63 | 15 13 734-01 | | | | | 2 | | | 2 | 2 | 2 | 2 | 2 | 2 | | Bricka 6,4×14 Washer |
| 64 | 72 52 368-53 | | | | | 1 | | | 1 | 1 | 1 | 1 | 1 | 1 | | Skruv M6×16 Screw |
| 65 | 16 14 540-01 | | | | | 1 | | | 1 | 1 | 1 | 1 | 1 | 1 | | Ventilationssläng Ventilationhose |

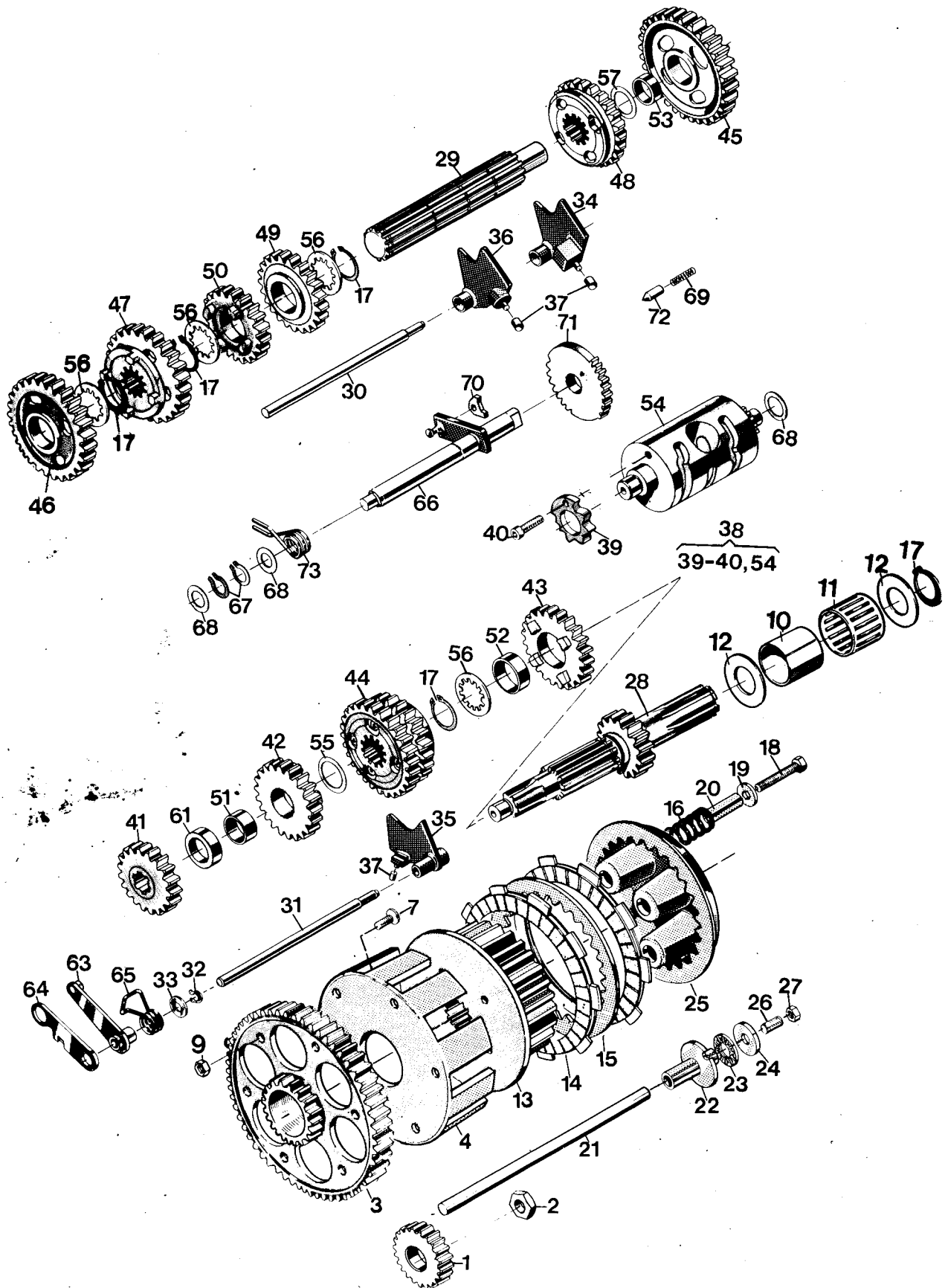


| Fig. | Part Number Detaljnummer | Quantity/Antal | | | | | | | | | | | | | Description Benämning |
|------|-----------------------------|----------------|----|----|-----|----|-----|----|----|-----|-----|----|----|----|---|
| | | 125 | | | 240 | | 250 | | | 500 | | | | | |
| | | CR | WR | XC | CR | WR | CR | WR | XC | WRE | WRU | CR | XC | AE | |
| N 1 | 16 19 843-01 | | | | 1 | | 1 | | | | | | | | Vevhushalva, vänster komplett Crankcase halve left |
| 2 | 16 10 779-01 | | | | 1 | | 1 | | | | | | | | Stödbricka Support washer |
| 3 | 72 52 331-86 | | | | 4 | | 4 | | | | | | | | Skruv M6S x 20 Screw |
| 4 | 15 13 726-01 | | | | 1 | | 1 | | | | | | | | Tättring Seal |
| N 5 | 16 17 952-01 | | | | 1 | | 1 | | | | | | | | Pumpaxel Pump shaft |
| 6 | 73 82 205-25 | | | | 2 | | 2 | | | | | | | | Kullager Ball bearing |
| 7 | 15 13 721-01 | | | | 1 | | 1 | | | | | | | | Kullager Ball bearing |
| 8 | 15 13 720-01 | | | | 1 | | 1 | | | | | | | | Kullager Ball bearing |
| N 9 | 73 82 198-00 | | | | 1 | | 1 | | | | | | | | Kullager Ball bearing |
| 10 | 16 10 777-01 | | | | 2 | | 2 | | | | | | | | Flänsbussning Flange sleeve |
| 11 | 16 11 516-01 | | | | 1 | | 1 | | | | | | | | Flänsbussning Flange sleeve |
| 12 | 16 10 776-01 | | | | 1 | | 1 | | | | | | | | Styrhylsa, fram Steering sleeve |
| 13 | 16 11 527-01 | | | | 1 | | 1 | | | | | | | | Styrhylsa, bak Steering sleeve |
| N 14 | 16 11 271-01 | | | | 1 | | 1 | | | | | | | | Mellanhjul Cog wheel |
| 15 | 16 14 540-01 | | | | 1 | | 1 | | | | | | | | Ventilationsslang Ventilation hose |
| 16 | 15 13 714-01 | | | | 1 | | 1 | | | | | | | | Bricka Washer |
| 17 | 73 53 118-00 | | | | 1 | | 1 | | | | | | | | Spårring Circlip |
| N 18 | 16 11 270-01 | | | | 1 | | 1 | | | | | | | | Kugghjul Gear wheel |
| 19 | 16 11 675-01 | | | | 1 | | 1 | | | | | | | | Nålhylsa Sleeve |
| 20 | 16 11 677-01 | | | | 1 | | 1 | | | | | | | | Kickaxel Shaft |
| 21 | 74 04 313-00 | | | | 1 | | 1 | | | | | | | | O-ring O-ring |
| 22 | 16 11 680-01 | | | | 1 | | 1 | | | | | | | | Medbringare Driving |
| 23 | 16 11 681-01 | | | | 1 | | 1 | | | | | | | | Fjäder Spring |
| 24 | 16 11 682-01 | | | | 1 | | 1 | | | | | | | | Kickfjäder Spring |
| 25 | 16 11 683-01 | | | | 1 | | 1 | | | | | | | | Lägeshake Hook link |
| 26 | 16 11 684-01 | | | | 1 | | 1 | | | | | | | | Fjäder Spring |
| 27 | 16 11 216-01 | | | | 1 | | 1 | | | | | | | | Bussning Bushing |
| 28 | 16 11 686-01 | | | | 1 | | 1 | | | | | | | | Växelmatare Kicker |
| 29 | 74 04 211-00 | | | | 2 | | 2 | | | | | | | | O-ring -1 |
| 30 | 16 11 746-01 | | | | 1 | | 1 | | | | | | | | Växlingsaxel Shaft |
| 31 | 16 11 692-01 | | | | 1 | | 1 | | | | | | | | Återgångsfjäder Return spring |
| N 32 | 16 11 295-01 | | | | 1 | | 1 | | | | | | | | Kickstartvev Kick starter cpl. |
| 33 | 16 11 672-01 | | | | 1 | | 1 | | | | | | | | Underdel, kick Lower part, kickstarter |
| N 34 | 16 11 288-01 | | | | 1 | | 1 | | | | | | | | Kickstartpedal Kick starter pedal |
| 36 | 72 55 368-01 | | | | 1 | | 1 | | | | | | | | Skruv M6 x 16 Screw |
| 37 | 15 13 709-01 | | | | 1 | | 1 | | | | | | | | Bricka Washer |
| 38 | 74 04 310-00 | | | | 1 | | 1 | | | | | | | | O-ring |
| 39 | 73 53 122-00 | | | | 1 | | 1 | | | | | | | | Spårring Circlip |
| 40 | 16 12 683-01 | | | | 1 | | 1 | | | | | | | | Fotväxelpedal, kpl. Shift lever compl. |

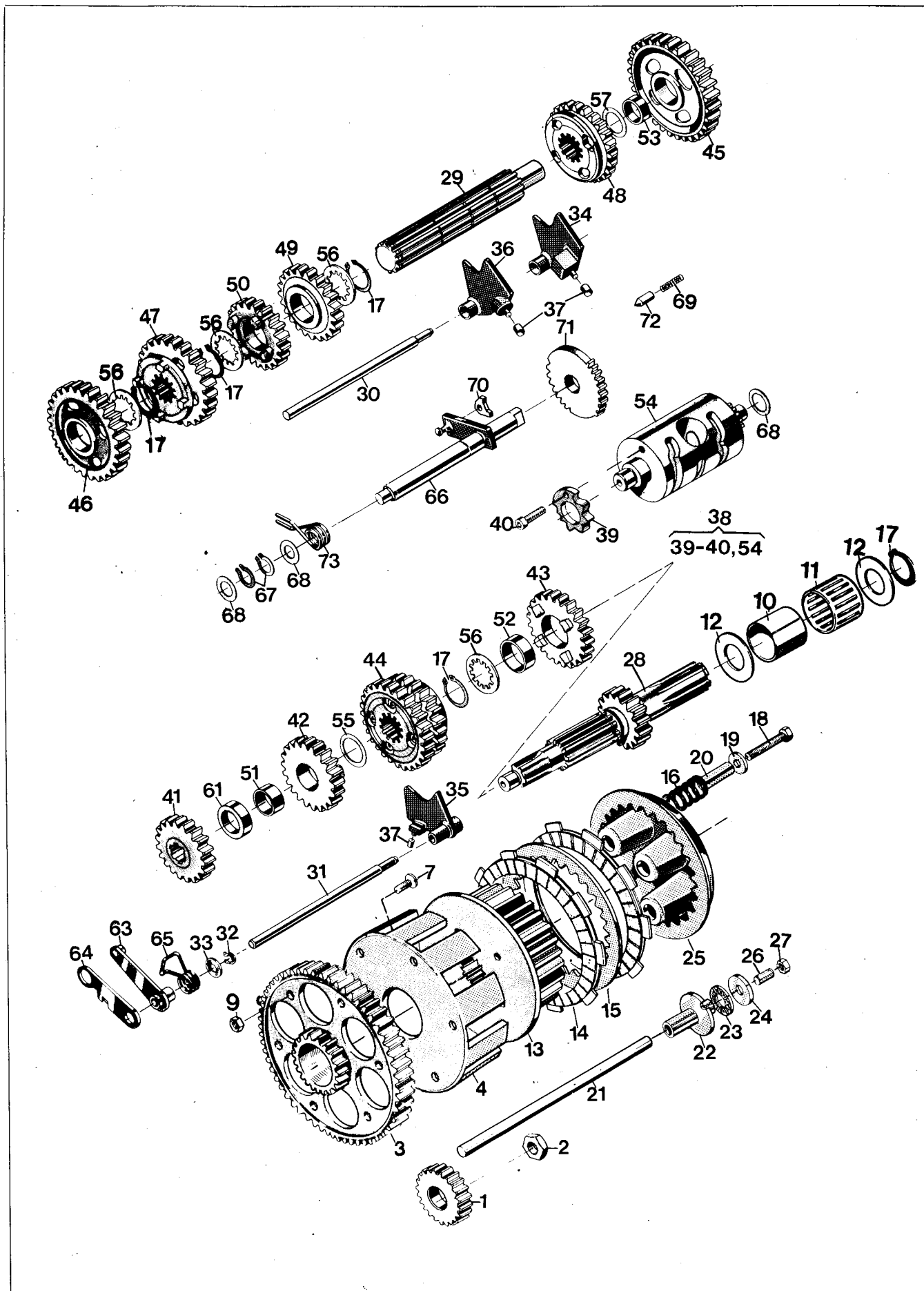
240, 250 CR



| Fig. | Part Number Detaljnummer | Quantity/Antal | | | | | | | | | | | | | Description Benämning |
|------|--|----------------|----|----|-----|----|-----|----|----|-----|-----|----|----|----|---|
| | | 125 | | | 240 | | 250 | | | 500 | | | | | |
| | | CR | WR | XC | CR | WR | CR | WR | XC | WRE | WRU | CR | XC | AE | |
| 43 | 16 12 686-01 | | | | 1 | | 1 | | | | | | | | Ledskruv Screw |
| 44 | 16 12 687-01 | | | | 1 | | 1 | | | | | | | | Fjäder Spring |
| 45 | 16 12 688-01 | | | | 1 | | 1 | | | | | | | | Pedalgummi Pedal rubber |
| 46 | 72 55 370-01 | | | | 1 | | 1 | | | | | | | | Skruv M6 x 22 Screw |
| 47 | 73 86 130-03 | | | | 1 | | 1 | | | | | | | | Kula Ball |
| 48 | 16 12 745-01 | | | | 1 | | 1 | | | | | | | | Fjäder Spring |
| 50 | 16 11 704-01 | | | | 1 | | 1 | | | | | | | | Fjäderhållare Spring holder |
| 51 | 16 11 706-01 | | | | 2 | | 2 | | | | | | | | Distans Distance |
| 52 | 72 43 370-50 | | | | 2 | | 2 | | | | | | | | Skruv M6 x 20 Screw |
| 53 | 72 01 361-50 | | | | 1 | | 1 | | | | | | | | Räffelpinne Pin |
| 54 | 50 11 538-03 | | | | 1 | | 1 | | | | | | | | Tanklock Cap |
| 55 | 50 12 782-01 | | | | 1 | | 1 | | | | | | | | Tanklockspackning Gasket |
| 56 | 72 55 379-01 | | | | 6 | | 6 | | | | | | | | Skruv M6 x 45 Screw |
| 57 | 16 11 650-01 | | | | 1 | | 1 | | | | | | | | Packning Gasket |
| 58 | 16 11 708-01 | | | | 2 | | 2 | | | | | | | | Styrhylsa Steering sleeve |
| 59 | 16 11 709-01 | | | | 1 | | 1 | | | | | | | | Gummistop, kickstart Buffer |
| 60 | 16 11 842 ³³⁴ -01 | | | | 1 | | 1 | | | | | | | | Hållare, kickpedal Holder |
| 61 | 72 31 328-01 | | | | 2 | | 2 | | | | | | | | Skruv M5 x 14 Screw |
| N 62 | 16 19 845-01 | | | | 1 | | 1 | | | | | | | | Vevhuskåpa vänster, kpl. Transmission cover compl. |
| 63 | 15 13 734-01 | | | | 2 | | 2 | | | | | | | | Bricka 6,4 x 14 Washer |
| 64 | 72 52 368-53 | | | | 1 | | 1 | | | | | | | | Skruv M6 x 16 Screw |
| N 65 | 16 17 959-01 | | | | 1 | | 1 | | | | | | | | Tätning Seal |
| N 66 | 16 17 958-01 | | | | 1 | | 1 | | | | | | | | Tätning Seal |
| N 67 | 16 17 951-01 | | | | 1 | | 1 | | | | | | | | Pumphjul Pump wheel |
| N 68 | 16 17 964-01 74 04 831-03 | | | | 1 | | 1 | | | | | | | | O-ring |
| N 69 | 73 53 108-00 | | | | 1 | | 1 | | | | | | | | Låsring Circlip |
| N 70 | 16 17 955-01 | | | | 2 | | 2 | | | | | | | | Styrstift Peg |
| N 71 | 16 17 957-01 | | | | 1 | | 1 | | | | | | | | Pumphus Pump housing |
| 72 | 72 55 371-01 | | | | 3 | | 3 | | | | | | | | Skruv M6 x 22 Screw |

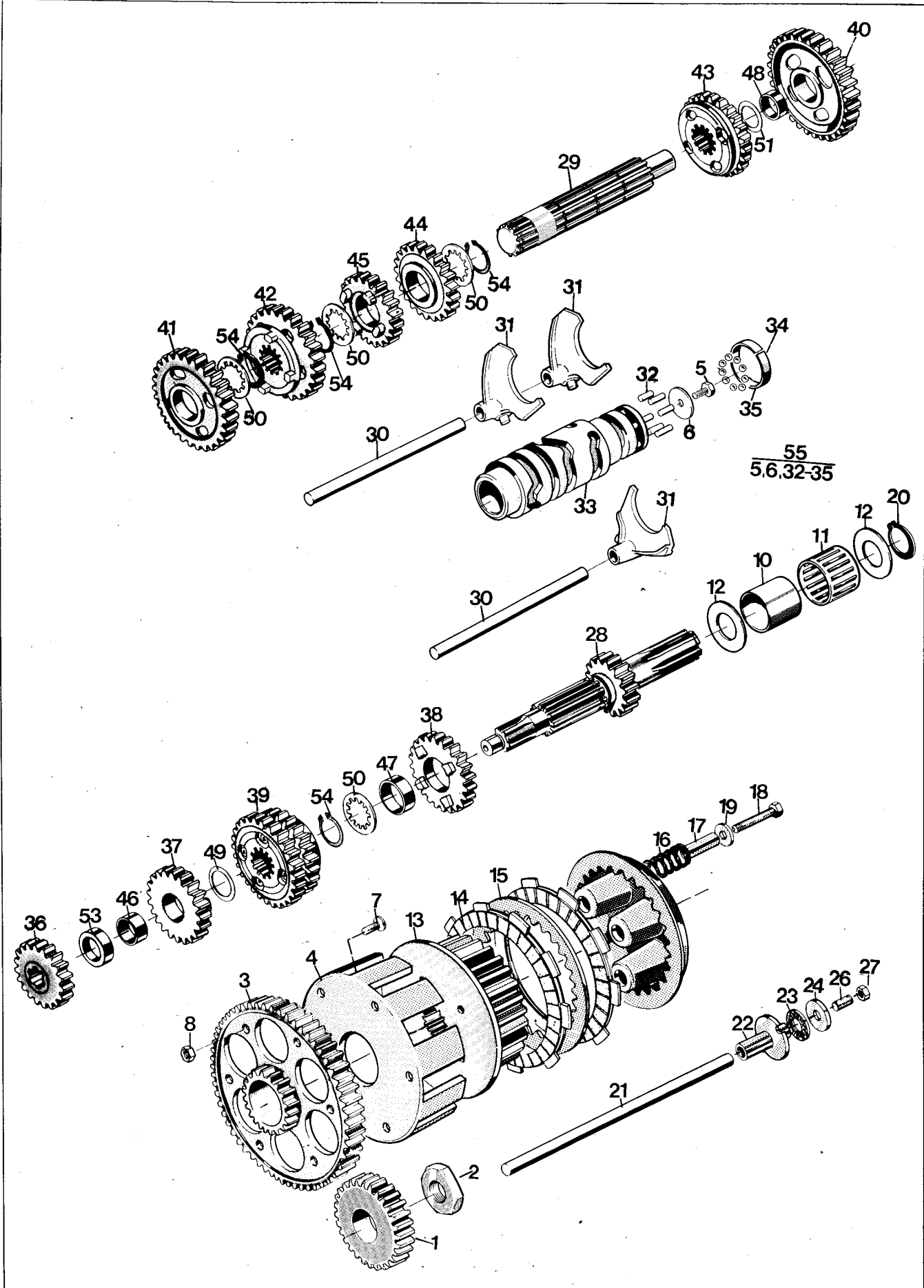


| Fig. | Part Number Detaljnummer | Quantity/Antal | | | | | | | | | | | | | Description Benämning | | |
|------|-----------------------------|--|----|----|-----|----|-----|----|----|-----|-----|----|----|----|--------------------------|--|--|
| | | 125 | | | 240 | | 250 | | | 500 | | | | | | | |
| | | CR | WR | XC | CR | WR | CR | WR | XC | WRE | WRU | CR | XC | AE | | | |
| | 1 | 16 11 174-01 | 1 | 1 | 1 | | | | | | | | | | | | Drivhjul z = 29 Driving gear |
| | 2 | 16 11 104-01 <i>175-01</i> | 1 | 1 | 1 | | | | | | | | | | | | Mutter Nut |
| N | 3 | 16 11 283-01 | 1 | 1 | 1 | | | | | | | | | | | | Kopplingskrans Clutch gear |
| | 4 | 16 11 149-02 | 1 | 1 | 1 | | | | | | | | | | | | Kopplingskorg Clutch ring |
| | 7 | 72 56 368-56 | 6 | 6 | 6 | | | | | | | | | | | | Skruv M6 x 16 Screw |
| | 9 | 73 12 316-55 | 6 | 6 | 6 | | | | | | | | | | | | Mutter Nut |
| | 10 | 16 11 670-01 | 1 | 1 | 1 | | | | | | | | | | | | Innerring Internal ring |
| | 11 | 16 11 671-01 | 1 | 1 | 1 | | | | | | | | | | | | Nållager Needle bearing |
| | 12 | 16 11 155-01 | 2 | 2 | 2 | | | | | | | | | | | | Bricka Washer |
| | 13 | 16 11 156-01 | 1 | 1 | 1 | | | | | | | | | | | | Kopplingscentrum Clutch hub |
| | 14 | 16 15 106-01 | 7 | 7 | 7 | | | | | | | | | | | | Lamell m. belägg Disc w. lining |
| | 15 | 16 11 107-01 | 6 | 6 | 6 | | | | | | | | | | | | Lamell Disc |
| | 16 | 16 11 177-02 | 5 | 5 | 5 | | | | | | | | | | | | Kopplingsfjäder Clutch spring |
| | 17 | 73 53 126-00 | 4 | 4 | 4 | | | | | | | | | | | | Spårring Circlip |
| | 18 | 72 52 378-71 | 5 | 5 | 5 | | | | | | | | | | | | Skruv M6 x 40 Screw |
| | 19 | 73 44 926-01 | 5 | 5 | 5 | | | | | | | | | | | | Bricka Washer |
| | 20 | 16 11 169-01 | 5 | 5 | 5 | | | | | | | | | | | | Distanshylsa Distance sleeve |
| | 21 | 16 17 003-01 | 1 | 1 | 1 | | | | | | | | | | | | Tryckstång Push rod |
| | 22 | 16 11 170-01 | 1 | 1 | 1 | | | | | | | | | | | | Axelhylsa Shaft sleeve |
| | 23 | 16 11 166-01 | 1 | 1 | 1 | | | | | | | | | | | | Axiallager Axial bearing |
| | 24 | 16 11 167-01 | 1 | 1 | 1 | | | | | | | | | | | | Axialbricka Axial washer |
| | 25 | 16 11 168-01 | 1 | 1 | 1 | | | | | | | | | | | | Tryckskiva Pressure plate |
| | 26 | 78 85 370-00 | 1 | 1 | 1 | | | | | | | | | | | | Skruv TSS6 x 20 Screw |
| | 27 | 15 13 703-01 | 1 | 1 | 1 | | | | | | | | | | | | Mutter M6 Nut |
| N | 28 | 16 12 345-01 | | 1 | 1 | | | | | | | | | | | | Huvudaxel z = 14 Clutch shaft |
| N | | 16 11 697-01 | 1 | | | | | | | | | | | | | | Huvudaxel z = 15 Clutch shaft |
| N | 29 | 16 11 280-01 | 1 | 1 | 1 | | | | | | | | | | | | Hjälpaxel Sprocket shaft |
| | 30 | 16 12 843-01 | 1 | 1 | 1 | | | | | | | | | | | | Axel Shaft |
| | 31 | 16 12 484-01 | 1 | 1 | 1 | | | | | | | | | | | | Axel Shaft |
| | 32 | 73 53 112-00 | 1 | 1 | 1 | | | | | | | | | | | | Spårring Circlip |
| | 33 | 16 12 485-01 | 1 | 1 | 1 | | | | | | | | | | | | Bricka Washer |
| | 34 | 16 12 896-01 | 1 | 1 | 1 | | | | | | | | | | | | Växelförare kpl. 1-5 Gear striker |
| | 35 | 16 12 897-01 | 1 | 1 | 1 | | | | | | | | | | | | Växelförare kpl. 3-4 Gear striker |
| | 36 | 16 12 848-01 | 1 | 1 | 1 | | | | | | | | | | | | Växelförare kpl. 6-2 Gear striker |
| | 37 | 16 12 424-01 | 1 | 1 | 1 | | | | | | | | | | | | Ledrulle Guide roller |
| | 38 | 16 12 486-01 | 1 | 1 | 1 | | | | | | | | | | | | Kulissrulle, kpl. Linkroller compl. |



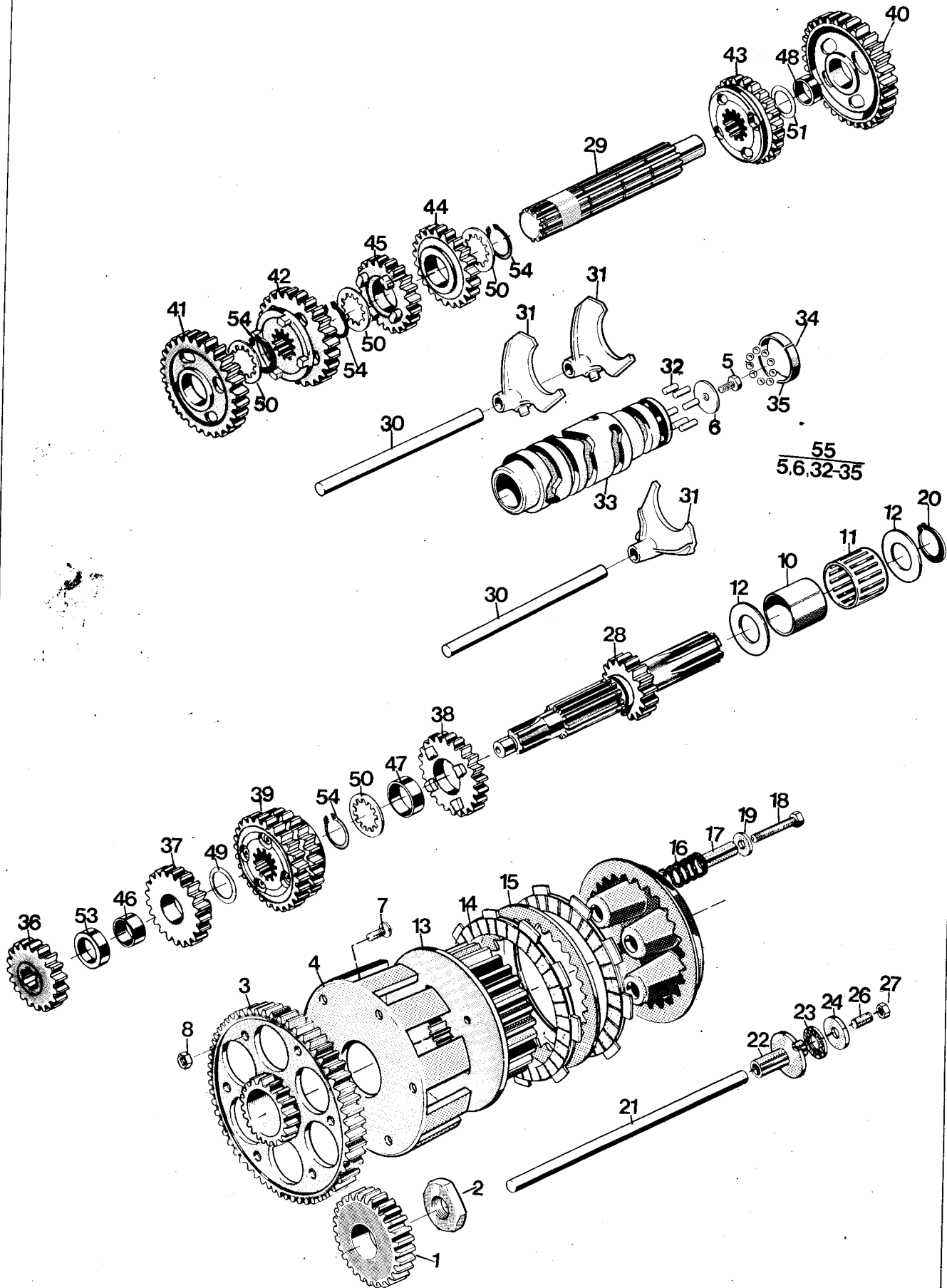
| Fig. | Part Number Detaljnummer | Quantity/Antal | | | | | | | | | | | | | Description Benämning | | |
|------|-----------------------------|----------------|----|----|-----|----|-----|----|----|-----|-----|----|----|----|--------------------------|--|--|
| | | 125 | | | 240 | | 250 | | | 500 | | | | | | | |
| | | CR | WR | XC | CR | WR | CR | WR | XC | WRE | WRU | CR | XC | AE | | | |
| 39 | 16 12 488-01 | 1 | 1 | 1 | | | | | | | | | | | | | Spärrhjul Ratchet wheel |
| 40 | 72 55 366-06 | 1 | 1 | 1 | | | | | | | | | | | | | Skruv M6 x 12 Screw |
| 41 | 16 12 351-01 | | 1 | 1 | | | | | | | | | | | | | Kugghjul 2: an z = 17 Gear wheel |
| | 16 12 352-01 | 1 | | | | | | | | | | | | | | | Kugghjul 2: an z = 18 Gear wheel |
| 42 | 16 11 703-01 | 1 | | | | | | | | | | | | | | | Kugghjul 3: an z = 21 Gear wheel |
| | 16 12 349-01 | | 1 | 1 | | | | | | | | | | | | | Kugghjul 3: an z = 20 Gear wheel |
| 43 | 16 11 837-01 | 1 | 1 | 1 | | | | | | | | | | | | | Kugghjul 4: an z = 23 Gear wheel |
| 44 | 16 12 355-01 | | 1 | 1 | | | | | | | | | | | | | Kugghjul 4: an z = 23 Gear wheel |
| | 16 11 705-01 | 1 | | | | | | | | | | | | | | | Kugghjul 5: an, 6: an z = 25, 27 Gear wheel |
| 45 | 16 11 711-01 | 1 | | | | | | | | | | | | | | | Kugghjul 1: an z = 31 Gear wheel |
| | 16 12 346-01 | | 1 | 1 | | | | | | | | | | | | | Kugghjul 1: an z = 33 Gear wheel |
| 46 | 16 12 347-01 | | 1 | 1 | | | | | | | | | | | | | Kugghjul 2: an z = 29 Gear wheel |
| | 16 12 354-01 | 1 | | | | | | | | | | | | | | | Kugghjul 2: an z = 28 Gear wheel |
| 47 | 16 11 713-01 | 1 | | | | | | | | | | | | | | | Kugghjul 3: an z = 26 Gear wheel |
| | 16 12 348-01 | | 1 | 1 | | | | | | | | | | | | | Kugghjul 3: an z = 26 Gear wheel |
| 48 | 16 11 714-01 | 1 | 1 | 1 | | | | | | | | | | | | | Kugghjul 4: an z = 24 Gear wheel |
| 49 | 16 11 715-01 | 1 | 1 | 1 | | | | | | | | | | | | | Kugghjul 5: an z = 22 Gear wheel |
| 50 | 16 11 716-01 | 1 | | | | | | | | | | | | | | | Kugghjul 6: an z = 20 Gear wheel |
| | 16 12 357-01 | | 1 | 1 | | | | | | | | | | | | | Kugghjul 6: an Gear wheel |
| 51 | 16 12 480-01 | 1 | 1 | 1 | | | | | | | | | | | | | Lagerhylsa Sleeve |
| 52 | 16 12 418-01 | 1 | 1 | 1 | | | | | | | | | | | | | Lagerhylsa Sleeve |
| 53 | 16 12 415-01 | 1 | 1 | 1 | | | | | | | | | | | | | Lagerhylsa Sleeve |
| 56 | 16 11 717-01 | 4 | 4 | 4 | | | | | | | | | | | | | Stödbricka Washer |
| 57 | 15 13714-01 | 1 | 1 | 1 | | | | | | | | | | | | | Stödbricka Washer |
| 61 | 16 12 481-01 | 1 | 1 | 1 | | | | | | | | | | | | | Distansring Spacer |
| 63 | 16 12 489-01 | 1 | 1 | 1 | | | | | | | | | | | | | Spärrarm Ratchet arm |
| 64 | 16 12 493-01 | 1 | 1 | 1 | | | | | | | | | | | | | Distansarm Distance arm |
| 65 | 16 12 494-01 | 1 | 1 | 1 | | | | | | | | | | | | | Fjäder Spring |
| 66 | 16 11 279-01 | 1 | 1 | 1 | | | | | | | | | | | | | Växlingsaxel Gear shaft |
| 67 | 73 53 117-00 | 2 | 2 | 2 | | | | | | | | | | | | | Spårring Circlip |
| 68 | 50 32 300-14 | 3 | 3 | 3 | | | | | | | | | | | | | Bricka Washer |
| 69 | 16 12 593-01 | 1 | 1 | 1 | | | | | | | | | | | | | Fjäder Spring |
| 70 | 16 12 895-01 | 1 | 1 | 1 | | | | | | | | | | | | | Medbringare Pawl |
| 71 | 16 12 870-01 | 1 | 1 | 1 | | | | | | | | | | | | | Stegmatore Stepfeder |
| 72 | 16 12 455-01 | 1 | 1 | 1 | | | | | | | | | | | | | Spärrhylsa Ratchet sleeve |
| 73 | 16 12 594-01 | 1 | 1 | 1 | | | | | | | | | | | | | Fjäder Spring |
| 74 | 16 12 501-01 | | 1 | 1 | | | | | | | | | | | | | Kugghjul z = 21 Gear wheel |
| | 16 12 698-01 | 1 | | | | | | | | | | | | | | | Kugghjul z z = 23 Gear wheel |
| 76 | 12 25 713-01 | 1 | 1 | 1 | | | | | | | | | | | | | Bussning Bushing |

N

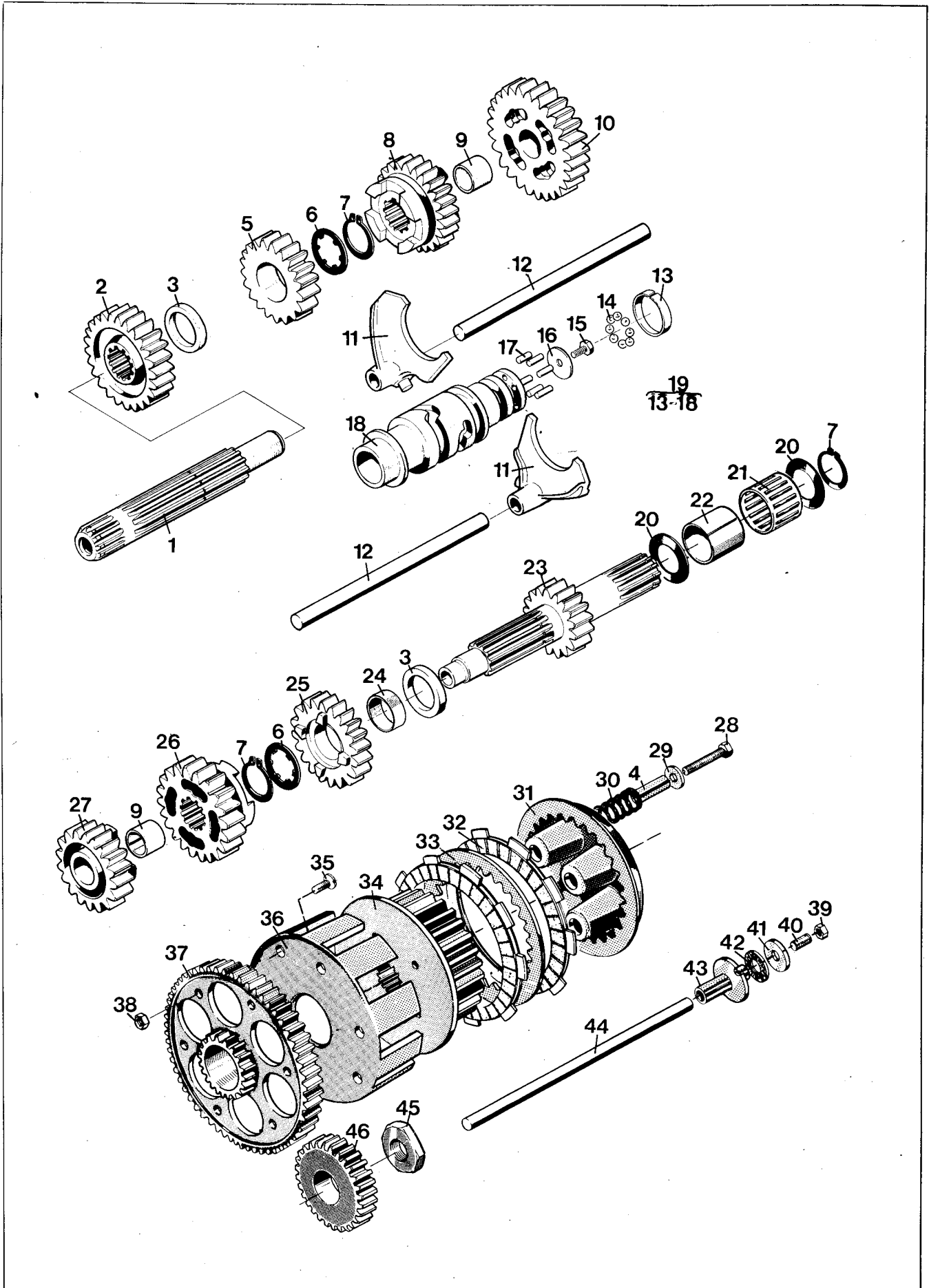


| Fig. | Part Number Detaljnummer | Quantity/Antal | | | | | | | | | | | | | Description Benämning | | |
|------|--|----------------|----|----|-----|----|-----|----|----|-----|-----|----|----|----|--------------------------|--|---------------------------------------|
| | | 125 | | | 240 | | 250 | | | 500 | | | | | | | |
| | | CR | WR | XC | CR | WR | CR | WR | XC | WRE | WRU | CR | XC | AE | | | |
| 1 | 16 11 178-01 16 11 885-01 16 11 707-01 | | | | 1 | 1 | 1 | 1 | 1 | 1 | 1 | 1 | | | 1 | | Drivhjul Driving gear |
| 2 | 16 11 101-01 | | | | 1 | 1 | 1 | 1 | 1 | 1 | 1 | 1 | | | 1 | | Mutter Nut |
| 3 | 16 11 689-01 16 11 272-01 16 11 273-01 16 11 203-01 | | | | 1 | 1 | 1 | 1 | 1 | 1 | 1 | 1 | | | 1 | | Kopplingskrans Gear Wheel, clutch |
| 4 | 16 11 149-02 72 52 364-86 | | | | 1 | 1 | 1 | 1 | 1 | 1 | 1 | 1 | 1 | 1 | 1 | | Kopplingskorg Clutch ring |
| 5 | 15 13 709-01 | | | | 1 | 1 | 1 | 1 | 1 | 1 | 1 | 1 | | | 1 | | Skruv M6×10 Screw |
| 6 | 72 56 367-58 | | | | 6 | 6 | 6 | 6 | 6 | 6 | 6 | 6 | | | 6 | | Bricka 6,5×22 Washer |
| 7 | 73 12 316-55 | | | | 6 | 6 | 6 | 6 | 6 | 6 | 6 | 6 | | | 6 | | Skruv Screw |
| 8 | 73 12 316-55 | | | | 6 | 6 | 6 | 6 | 6 | 6 | 6 | 6 | | | 6 | | Mutter M6 Nut |
| 10 | 16 11 670-01 | | | | 1 | 1 | 1 | 1 | 1 | 1 | 1 | 1 | | | 1 | | Innerring Internal ring |
| 11 | 16 11 671-01 | | | | 1 | 1 | 1 | 1 | 1 | 1 | 1 | 1 | | | 1 | | Nålållare Needle ring |
| 12 | 16 11 155-01 | | | | 2 | 2 | 2 | 2 | 2 | 2 | 2 | 2 | | | 2 | | Bricka Washer |
| 13 | 16 11 156-01 | | | | 1 | 1 | 1 | 1 | 1 | 1 | 1 | 1 | | | 1 | | Kopplingscentrum Clutch hub |
| 14 | 16 11 157-01 16 15 106-01 | | | | 7 | 6 | 7 | 6 | 6 | 6 | 6 | 6 | | | 6 | | Lamell Disc |
| 15 | 16 11 158-01 16 15 107-01 | | | | 6 | 5 | 6 | 5 | 5 | 5 | 5 | 5 | | | 5 | | Lamell Disc |
| 16 | 16 11 177-03 16 11 177-02 | | | | 5 | 5 | 5 | 5 | 5 | 5 | 5 | 5 | | | 5 | | Kopplingsfjäder Clutch spring |
| 17 | 16 11 169-01 | | | | 5 | 5 | 5 | 5 | 5 | 5 | 5 | 5 | | | 5 | | Distanshylsa Distance sleeve |
| 18 | 72 52 378-71 | | | | 5 | 5 | 5 | 5 | 5 | 5 | 5 | 5 | | | 5 | | Skruv M6×40 Screw |
| 19 | 73 44 926-01 | | | | 5 | 5 | 5 | 5 | 5 | 5 | 5 | 5 | | | 5 | | Bricka Washer |
| 20 | 73 53 126-00 | | | | 1 | 1 | 1 | 1 | 1 | 1 | 1 | 1 | | | 1 | | Spårring Circlip |
| 21 | 16 17 003-01 | | | | 1 | 1 | 1 | 1 | 1 | 1 | 1 | 1 | | | 1 | | Tryckstång Push rod |
| 22 | 16 11 170-01 | | | | 1 | 1 | 1 | 1 | 1 | 1 | 1 | 1 | | | 1 | | Axeldel Shaft |
| 23 | 16 11 166-01 | | | | 1 | 1 | 1 | 1 | 1 | 1 | 1 | 1 | | | 1 | | Axiallager Axial bearing |
| 24 | 16 11 167-01 | | | | 1 | 1 | 1 | 1 | 1 | 1 | 1 | 1 | | | 1 | | Axialbricka Axial washer |
| 25 | 16 11 168-01 | | | | 1 | 1 | 1 | 1 | 1 | 1 | 1 | 1 | | | 1 | | Tryckskena Pressure plate |
| 26 | 22 21 370-06 | | | | 1 | 1 | 1 | 1 | 1 | 1 | 1 | 1 | | | 1 | | Skruv Screw |
| 27 | 15 13 703-01 | | | | 1 | 1 | 1 | 1 | 1 | 1 | 1 | 1 | | | 1 | | Mutter Nut |
| 28 | 16 12 360-01 16 12 345-01 | | | | | 1 | | 1 | 1 | | | 1 | | | 1 | | Huvudaxel Clutch shaft |
| 29 | 16 11 697-01 16 16 002-01 16 12 350-01 | | | | 1 | | 1 | | 1 | | 1 | | | | 1 | | Huvudaxel Clutch shaft |
| 30 | 16 11 699-01 | | | | 1 | 1 | 1 | 1 | 1 | 1 | 1 | 1 | | | 1 | | Hjälpaxel Sprocket shaft |
| 31 | 16 12 384-01 | | | | 2 | 2 | 2 | 2 | 2 | 2 | 2 | 2 | | | 2 | | Axel Shaft |
| 32 | 72 01 268-50 | | | | 3 | 3 | 3 | 3 | 3 | 3 | 3 | 3 | | | 3 | | Växelförare Gear striker |
| 34 | 16 12 699-01 | | | | 6 | 6 | 6 | 6 | 6 | 6 | 6 | 6 | | | 6 | | Pinne Pin |
| 35 | 73 86 120-03 | | | | 1 | 1 | 1 | 1 | 1 | 1 | 1 | 1 | | | 1 | | Kulbana Outer race |
| 36 | 16 12 352-01 16 12 362-01 16 12 351-01 | | | | 11 | 11 | 11 | 11 | 11 | 11 | 11 | 11 | | | 11 | | Kula Ball |
| | | | | | 1 | | 1 | | 1 | 1 | | 1 | | | 1 | | Kugghjul 2:an Huvudaxel Gear wheel |

240, 250, 500 XC

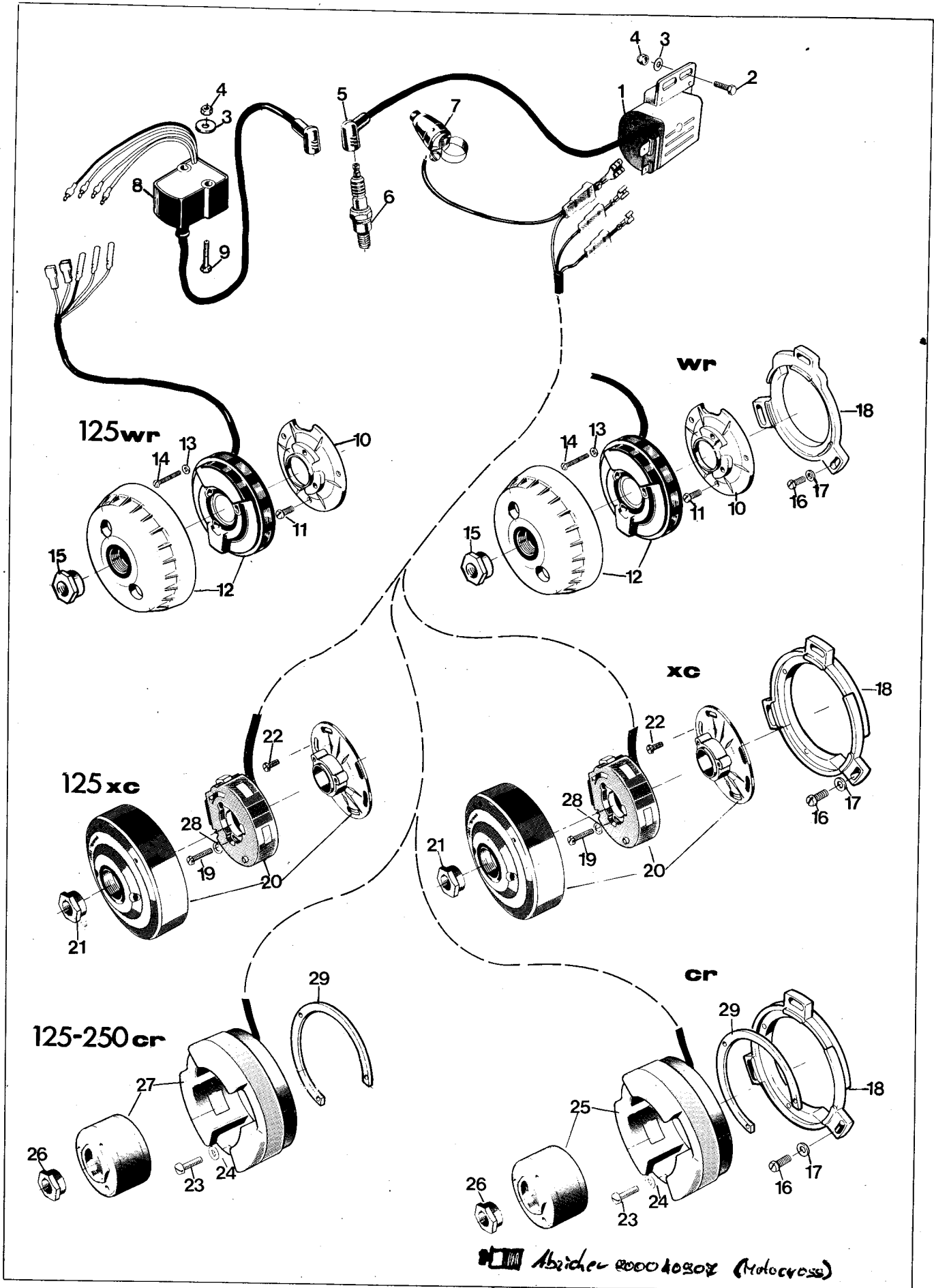


| Fig. | Part Number Detaljnummer | Quantity/Antal | | | | | | | | | | | | | Description Benämning | |
|------|---|----------------|----|----|-----|----|-----|----|----|-----|-----|----|----|----|--------------------------|--|
| | | 125 | | | 240 | | 250 | | | 500 | | | | | | |
| | | CR | WR | XC | CR | WR | CR | WR | XC | WRE | WRU | CR | XC | AE | | |
| 37 | 16 12 363-01 16 12 349-01 16 11 703-01 | | | | 1 | 1 | | 1 | 1 | 1 | 1 | | | 1 | | Kuggjul 3:an Huvudväxel Gear wheel |
| 38 | 16 11 837-01 | | | | 1 | 1 | 1 | 1 | 1 | 1 | 1 | | | 1 | | Kuggjul 4:an Huvudaxel Gear wheel |
| 39 | 16 12 390-01 16 12 389-01 | | | | 1 | 1 | 1 | 1 | 1 | 1 | 1 | | | 1 | | Kuggjul 5:an-6:an Huvudaxel Gear wheel |
| 40 | 16 12 361-01 16 12 346-01 | | | | 1 | 1 | 1 | 1 | 1 | 1 | 1 | | | 1 | | Kuggjul 1:an Hjälpaxel Gear wheel |
| 41 | 16 11 711-01 16 11 711-01 16 12 365-01 16 12 347-01 16 12 354-01 | | | | 1 | 1 | 1 | 1 | 1 | 1 | 1 | | | 1 | | Kuggjul 2:an Hjälpaxel Gear wheel |
| 42 | 16 12 386-01 16 12 387-01 16 12 385-01 | | | | 1 | 1 | 1 | 1 | 1 | 1 | 1 | | | 1 | | Kuggjul 3:an Hjälpaxel Gear wheel |
| 43 | 16 12 388-01 | | | | 1 | 1 | 1 | 1 | 1 | 1 | 1 | | | 1 | | Kuggjul 4:an Hjälpaxel Gear wheel |
| 44 | 16 11 715-01 | | | | 1 | 1 | 1 | 1 | 1 | 1 | 1 | | | 1 | | Kuggjul 5:an Hjälpaxel Gear wheel |
| 45 | 16 12 357-01 16 11 716-01 | | | | 1 | 1 | 1 | 1 | 1 | 1 | 1 | | | 1 | | Kuggjul 6:an Hjälpaxel Gear wheel |
| 46 | 16 12 480-01 | | | | 1 | 1 | 1 | 1 | 1 | 1 | 1 | | | 1 | | Lagerhylsa 3:an Huvudaxel Sleeve |
| 47 | 16 12 418-01 | | | | 1 | 1 | 1 | 1 | 1 | 1 | 1 | | | 1 | | Lagerhylsa 4:an Huvudaxel Sleeve |
| 48 | 16 12 415-01 | | | | 1 | 1 | 1 | 1 | 1 | 1 | 1 | | | 1 | | Lagerhylsa 1:an Hjälpaxel Sleeve |
| 49 | 16 12 842-01 | | | | 1 | 1 | 1 | 1 | 1 | 1 | 1 | | | 1 | | Stöbricka Washer |
| 50 | 16 11 717-01 | | | | 4 | 4 | 4 | 4 | 4 | 4 | 4 | | | 4 | | Stöbricka Washer |
| 51 | 15 13 714-01 | | | | 1 | 1 | 1 | 1 | 1 | 1 | 1 | | | 1 | | Stöbricka Washer |
| 53 | 16 12 481-01 | | | | 1 | 1 | 1 | 1 | 1 | 1 | 1 | | | 1 | | Distansring, huvudaxel Spacer, clutch shaft |
| 54 | 73 53 126-00 | | | | 5 | 5 | 5 | 5 | 5 | 5 | 5 | | | 5 | | Spårring Circlip |
| 55 | 16 11 701-01 | | | | 1 | 1 | 1 | 1 | 1 | 1 | 1 | | | 1 | | Kulissrulle, kpl. Link roller |



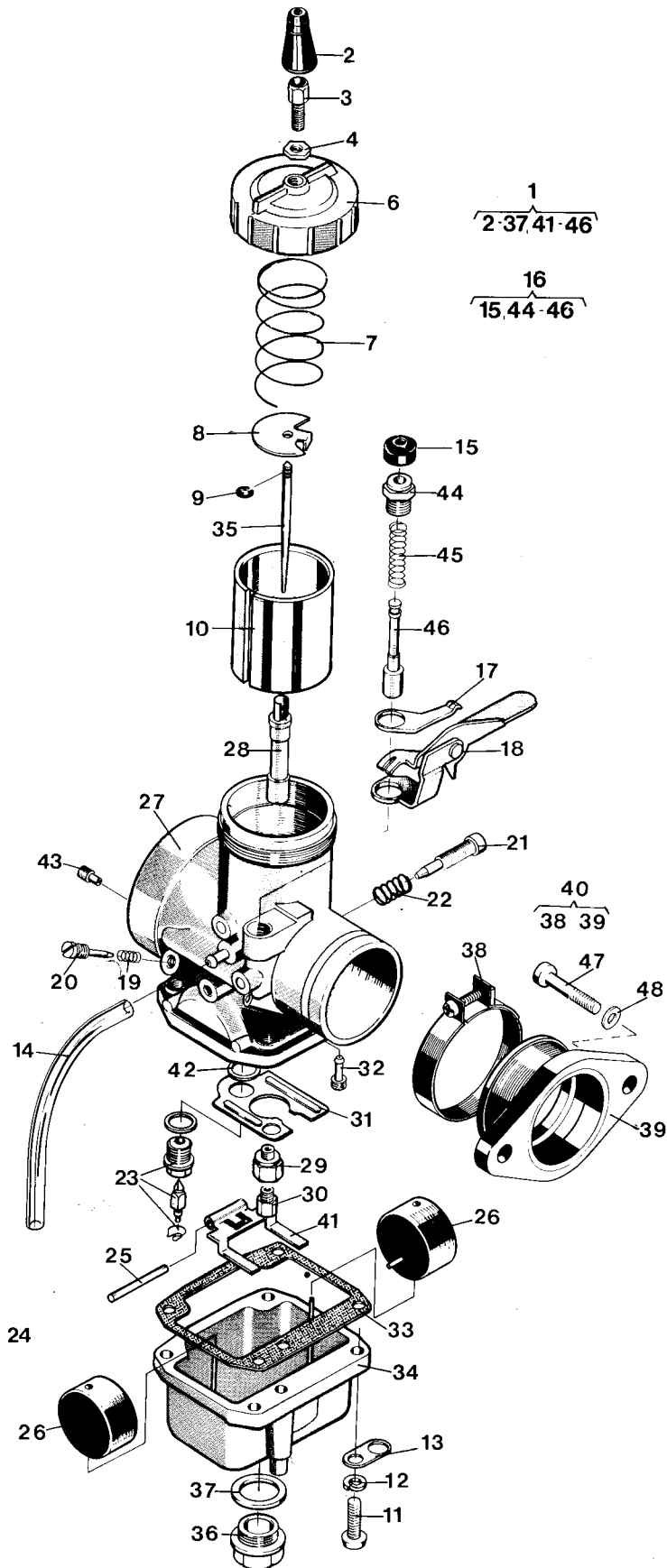
| N | Fig. | Detailnummer Partnummer | Antal Quantity | Benämning Description |
|---|------|----------------------------|-------------------|---|
| | 1 | 16 12 369-01 | 1 | Hjälpaxel. Auxiliary shaft |
| | 2 | 16 12 377-01 | 1 | Kugghjul 2:an. Gearwheel 2:nd Z = 26 |
| | 3 | 16 12 383-01 | 2 | Distans. Spacer |
| | 4 | 16 11 169-01 | 5 | Distans. Spacer |
| | 5 | 16 12 379-01 | 1 | Kugghjul 4:an. Gearwheel 4:th Z = 22 |
| | 6 | 16 11 717-01 | 2 | Stödbricka. Support washer |
| | 7 | 73 53 126-00 | 3 | Spårring. Circlip |
| | 8 | 16 12 378-01 | 1 | Kugghjul 3:an. Gearwheel 3:rd Z = 24 |
| | 9 | 16 12 380-01 | 2 | Lagerhylsa. Bearing sleeve |
| | 10 | 16 12 376-01 | 1 | Kugghjul 1:an. Gearwheel 1:st Z = 29 |
| | 11 | 16 12 384-01 | 2 | Växelförare. Shiftfork |
| | 12 | 16 11 699-01 | 2 | Axel. Shaft |
| | 13 | 16 12 699-01 | 1 | Kulbana. Outer race |
| | 14 | 73 86 120-03 | 11 | Kula. Ball |
| | 15 | 72 52 364-86 | 1 | Skruv M6×10. Screw |
| | 16 | 15 13 709-01 | 1 | Bricka 6,5×22×1,5. Washer |
| | 17 | 72 01 268-50 | 6 | Pinne. Pin |
| | 19 | 16 12 371-01 | 1 | Kulissrulle, kpl. Linkroller, compl. |
| | 20 | 16 11 155-01 | 2 | Bricka. Washer |
| | 21 | 16 11 671-01 | 1 | Nållager, 28×33×27. Needle bearing |
| | 22 | 16 11 670-01 | 1 | Innerring. Bearing sleeve |
| | 23 | 16 12 368-01 | 1 | Huvudaxel. Mainshaft Z = 17 |
| | 24 | 16 12 381-01 | 1 | Lagringshylsa. Bearing sleeve |
| | 25 | 16 12 374-01 | 1 | Kugghjul 3:an. Gearwheel 3:rd Z = 23 |
| | 26 | 16 12 375-01 | 1 | Kugghjul 4:an. Gearwheel 4:th Z = 25 |
| | 27 | 16 12 373-01 | 1 | Kugghjul 2:an. Gearwheel 2:nd Z = 20 |
| | 28 | 72 52 378-71 | 5 | Skruv, M6×40. Screw |
| | 29 | 73 44 926-01 | 5 | Bricka, 8,4×17. Washer |
| | 30 | 16 11 177-03 | 5 | Kopplingsfjäder, blå. Clutch spring, blue |
| | 31 | 16 11 168-01 | 1 | Tryckskiva. Pressure plate |
| | 32 | 16 11 157-01 | 6 | Lamell med belägg. Disc with lining |
| | 33 | 16 11 158-01 | 5 | Lamell. Disc |
| | 34 | 16 11 156-01 | 1 | Kopplingscentrum. Clutch hub |
| | 35 | 72 56 367-50 | 6 | Skruv, M6×14 10.9. Screw |
| | 36 | 16 11 203-01 | 1 | Kopplingskorg. Clutch ring |
| | 37 | 16 11 886-01 | 1 | Kopplingskrans. Gearwheel clutch |
| | 38 | 73 12 316-55 | 6 | Mutter, M6-10. Nut |
| | 39 | 15 13 703-01 | 1 | Mutter M6. Nut |
| | 40 | 72 85 370-00 | 1 | Skruv M6. Screw |
| | 41 | 16 11 167-01 | 1 | Bricka. Washer |
| | 42 | 16 11 166-01 | 1 | Axiallager. Bearing |
| | 43 | 16 11 170-01 | 1 | Axeldel. Shaft |
| | 44 | 16 11 673-01 | 1 | Tryckstång. Push rod |
| | 45 | 16 11 101-01 | 1 | Mutter. Nut |
| | 46 | 16 11 885-01 | 1 | Drivhjul. Drive gear |

Tändsystem Ignition

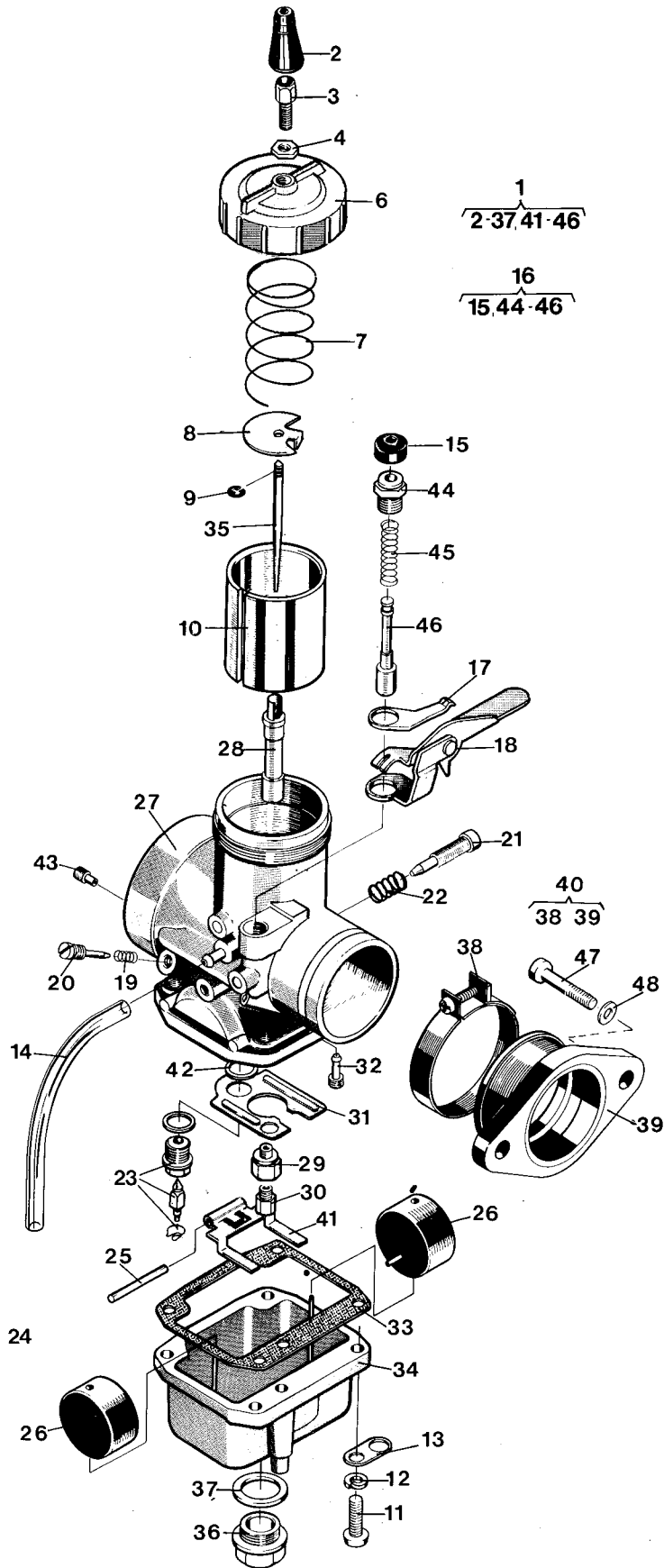


| Fig. | Part Number Detaljnummer | Quantity/Antal | | | | | | | | | | | | | Description Benämning | |
|------|-----------------------------|----------------|----|----|-----|----|-----|----|----|-----|-----|----|----|----|--------------------------|-----------------------------------|
| | | 125 | | | 240 | | 250 | | | 500 | | | | | | |
| | | CR | WR | XC | CR | WR | CR | WR | XC | WRE | WRU | CR | XC | AE | | |
| 1 | 16 14 714-01 | 1 | | 1 | 1 | | 1 | | 1 | | | | 1 | 1 | 1 | Tändspole Ignition coil |
| 2 | 72 52 368-51 | 2 | | 2 | 2 | | 2 | | 2 | | | | 2 | 2 | 2 | Skruv M6×16 Screw |
| 3 | 73 41 153-01 | 2 | 2 | 2 | 2 | 2 | 2 | 2 | 2 | 2 | 2 | 2 | 2 | 2 | 2 | Bricka 6,4×12 Washer |
| 4 | 73 22 116-01 | 2 | 2 | 2 | 2 | 2 | 2 | 2 | 2 | 2 | 2 | 2 | 2 | 2 | 2 | Mutter M6 Nut |
| 5 | 16 14 635-01 | 1 | 1 | 1 | 1 | 1 | 1 | 1 | 1 | 1 | 1 | 1 | 1 | 1 | 1 | Tändstiftshatt Spark plug cap |
| 6 | 16 14 769-01 | | | | 1 | 1 | 1 | 1 | 1 | 1 | 1 | 1 | 1 | 1 | 1 | Tändstift Bosch W4C Spark plug |
| | 16 14 769-02 | 1 | 1 | 1 | | | | | | | | | | | | Tändstift Bosch W3C Spark plug |
| 7 | 15 17 281-01 | 1 | 1 | 1 | 1 | 1 | 1 | 1 | 1 | 1 | 1 | 1 | 1 | 1 | 1 | Kortslutningsknapp Kill button |
| 8 | 16 14 774-01 | | 1 | | | 1 | | 1 | | 1 | 1 | | | | | Tändspole Ignition coil |
| 9 | 72 52 380-51 | | 2 | | | 2 | | 2 | | 2 | 2 | | | | | Skruv M6×50 Screw |
| 10 | 16 14 778-01 | | 1 | | | 1 | | 1 | | 1 | 1 | | | | | Fästplatta Mounting plate |
| 11 | 72 55 332-55 | | 3 | | | 3 | | 3 | | 3 | 3 | | | | | Skruv M5×55 Screw |
| 12 | 16 14 798-01 | | 1 | | | 1 | | 1 | | 1 | 1 | | | | | Magnet, kpl. Magneto, compl. |
| 13 | 73 44 880-01 | | 3 | | | 3 | | 3 | | 3 | 3 | | | | | Bricka 5,3×12 Washer |
| 14 | 72 31 335-55 | | 3 | | | 3 | | 3 | | 3 | 3 | | | | | Skruv M5×30 Screw |
| 15 | 16 11 191-01 | | 1 | | | 1 | | 1 | | 1 | 1 | | | | | Mutter Nut |
| 16 | 72 55 332-55 | | | | 3 | 3 | 3 | 3 | 3 | 3 | 3 | 3 | 3 | 3 | 3 | Skruv M5×22 Screw |
| 17 | 15 13 730-01 | | | | 3 | 3 | 3 | 3 | 3 | 3 | 3 | 3 | 3 | 3 | 3 | Bricka 6,4×12 Washer |
| 18 | 16 14 165-01 | | | | 1 | 1 | 1 | 1 | 1 | 1 | 1 | 1 | 1 | 1 | 1 | Fästplatta Mounting plate |
| 19 | 72 55 295-55 | | | 3 | | | | | | | | | 3 | | | Skruv M4×20 Screw |
| 20 | 16 14 794-01 | | | 1 | | | | | | | | | 1 | 1 | | Magnet, kpl. Magneto, compl. |
| 21 | 16 11 191-02 | | | 1 | | | | | | | | | 1 | 1 | | Mutter Nut |
| 22 | 72 55 328-01 | | | 3 | | | | | | | | | 3 | 3 | | Skruv M5×14 Screw |
| 23 | 72 55 335-55 | 3 | | | 3 | | 3 | | | | | | 3 | | | Skruv M5×25 Screw |
| 24 | 15 13 730-01 | 3 | | | 3 | | 3 | | | | | | 3 | | | Bricka 6,4×12 Washer |
| 25 | 16 14 759-01 | | | | | | | | | | | | 1 | | | Magnet, kpl. Magneto, compl. |
| 26 | 16 11 191-03 | 1 | | | 1 | | 1 | | | | | | 1 | | | Mutter Nut |
| 27 | 16 14 790-01 | 1 | | | 1 | | 1 | | | | | | | | | Magnet, kpl. Magneto, compl. |
| 28 | 73 44 851-01 | | | 3 | | | | | 3 | | | | 3 | 3 | | Bricka 4,3×8 Washer |
| 29 | 16 14 167-01 | 1 | | | 1 | | 1 | | | | | | 1 | | | Distansplatta Spacer plate |

Förgasare Carburettor

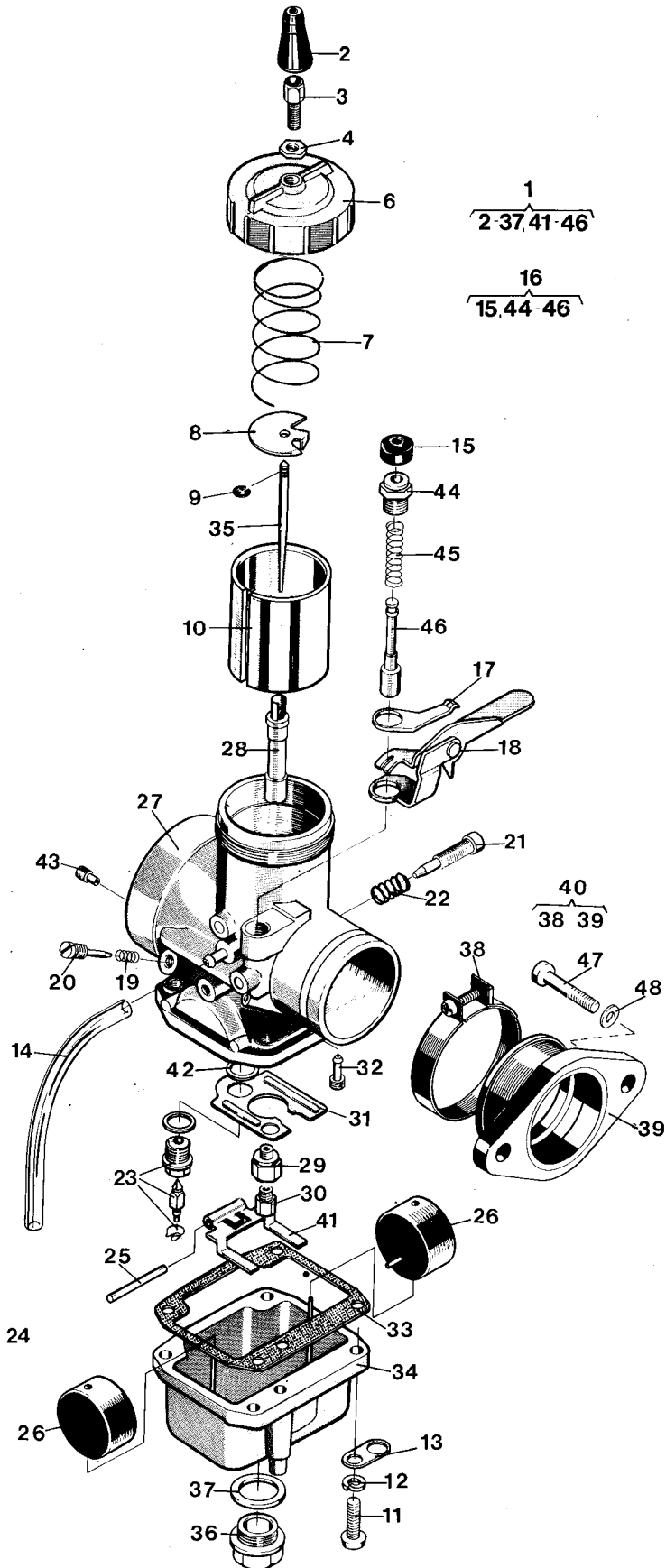


| Fig. | Part Number Detaljnummer | Quantity/Antal | | | | | | | | | | | | | Description Benämning | | |
|------|-----------------------------|----------------|----|----|-----|----|-----|----|----|-----|-----|----|----|----|--------------------------|--|--------------------------|
| | | 125 | | | 240 | | 250 | | | 500 | | | | | | | |
| | | CR | WR | XC | CR | WR | CR | WR | XC | WRE | WRU | CR | XC | AE | | | |
| 1 | 16 13 708-01 | | | | | 1 | | | | | | | | | | | Förgasare Mikuni |
| | 16 13 692-01 | | | | | | | 1 | | | | | | | | | Carburettor |
| | 16 13 646-01 | | | | | | | | 1 | | | | | | | | Förgasare Mikuni |
| N | 16 13 716-01 | 1 | 1 | 1 | | | | | | | | | | | | | Carburettor |
| | | | | | | | | | | | | | | | | | Förgasare Mikuni Ø 36 mm |
| | | | | | | | | | | | | | | | | | Carburettor |
| N | 2 16 13 128-01 | | | | | 1 | | | 1 | 1 | | | | | | | Skyddshylsa |
| | 16 13 777-01 | 1 | 1 | 1 | | | | | | | | | | | | | Protection sleeve |
| N | 3 16 13 916-01 | | | | | 1 | | | 1 | 1 | | | | | | | Ställskruv |
| | 16 13 757-01 | 1 | 1 | 1 | | | | | | | | | | | | | Adjuster |
| N | 4 16 13 908-01 | | | | | 1 | | | 1 | 1 | | | | | | | Mutter |
| | 16 13 758-01 | 1 | 1 | 1 | | | | | | | | | | | | | Nut |
| | 6 16 13 570-01 | 1 | 1 | 1 | | 1 | | | 1 | 1 | | | | | | | Förgasarlock |
| | | | | | | | | | | | | | | | | | Cover |
| | 7 16 13 571-01 | 1 | 1 | 1 | | 1 | | | 1 | 1 | | | | | | | Fjäder |
| | | | | | | | | | | | | | | | | | Spring |
| | 8 16 13 584-01 | 1 | 1 | 1 | | 1 | | | 1 | 1 | | | | | | | Wire lås |
| | | | | | | | | | | | | | | | | | Wire lock |
| | 9 16 13 583-01 | 1 | 1 | 1 | | 1 | | | 1 | 1 | | | | | | | Nålclips |
| | | | | | | | | | | | | | | | | | Needle clip |
| N | 10 16 13 575-01 | | | | | 1 | | | 1 | 1 | | | | | | | Trottel ca 2,0 |
| | 16 13 785-01 | 1 | 1 | 1 | | | | | | | | | | | | | Throttle |
| | | | | | | | | | | | | | | | | | Trottel ca 2,0 (Ø 36 mm) |
| | | | | | | | | | | | | | | | | | Throttle |
| | 11 72 41 329-01 | 4 | 4 | 4 | | 4 | | | 4 | 4 | | | | | | | Skruv M5x16 |
| | | | | | | | | | | | | | | | | | Screw |
| | 12 73 51 146-01 | 4 | 4 | 4 | | 4 | | | 4 | 4 | | | | | | | Bricka |
| | | | | | | | | | | | | | | | | | Washer |
| | 13 16 13 569-01 | 2 | 2 | 2 | | 2 | | | 2 | 2 | | | | | | | Hållare |
| | | | | | | | | | | | | | | | | | Holder |
| | 14 16 13 448-01 | 2 | 2 | 2 | | 2 | | | 2 | 2 | | | | | | | Slang |
| | | | | | | | | | | | | | | | | | Hose |
| | 15 16 13 590-01 | 1 | 1 | 1 | | 1 | | | 1 | 1 | | | | | | | Gummiskydd |
| | | | | | | | | | | | | | | | | | Rubber cap |
| | 16 16 13 589-01 | 1 | 1 | 1 | | 1 | | | 1 | 1 | | | | | | | Startventil icpl |
| | | | | | | | | | | | | | | | | | Start valve compl. |
| | 17 16 13 594-01 | 1 | 1 | 1 | | 1 | | | 1 | 1 | | | | | | | Fjäder |
| | | | | | | | | | | | | | | | | | Spring |
| | 18 16 13 595-01 | 1 | 1 | 1 | | 1 | | | 1 | 1 | | | | | | | Chokeregglage |
| | | | | | | | | | | | | | | | | | Choke lever |
| | 19 16 13 572-01 | 1 | 1 | 1 | | 1 | | | 1 | 1 | | | | | | | Fjäder |
| | | | | | | | | | | | | | | | | | Spring |
| | 20 16 13 573-01 | 1 | 1 | 1 | | 1 | | | 1 | 1 | | | | | | | Luftskruv |
| | | | | | | | | | | | | | | | | | Airscrew |
| N | 21 16 13 588-01 | | | | | 1 | | | 1 | 1 | | | | | | | Ställskruv |
| | 16 13 782-01 | 1 | 1 | 1 | | | | | | | | | | | | | Adjusting screw |
| | 22 16 13 587-01 | 1 | 1 | 1 | | 1 | | | 1 | 1 | | | | | | | Fjäder |
| | | | | | | | | | | | | | | | | | Spring |
| | 23 16 13 565-01 | 1 | 1 | 1 | | 1 | | | 1 | 1 | | | | | | | Nålventil kpl. |
| | | | | | | | | | | | | | | | | | Needle valve compl. |
| | 24 16 13 585-01 | 2 | 2 | 2 | | 2 | | | 2 | 2 | | | | | | | Flottörstopp |
| | | | | | | | | | | | | | | | | | Cap |
| | 25 16 13 566-01 | 1 | 1 | 1 | | 1 | | | 1 | 1 | | | | | | | Stift |
| | | | | | | | | | | | | | | | | | Peg |
| | 26 16 13 578-01 | 2 | 2 | 2 | | 2 | | | 2 | 2 | | | | | | | Flottör |
| N | 28 16 13 790-01 | 1 | 1 | 1 | | | | | | | | | | | | | Float |
| | | | | | | | | | | | | | | | | | Nålmunstycke R0 |
| | 16 13 700-01 | | | | | 1 | | | 1 | | | | | | | | Needle jet |
| | | | | | | | | | | | | | | | | | Nålmunstycke P8 |
| | 16 13 555-01 | | | | | | | | | 1 | | | | | | | Needle jet |
| | | | | | | | | | | | | | | | | | Nålmunstycke R4 |
| | | | | | | | | | | | | | | | | | Needle jet |
| 29 | 16 13 580-01 | 1 | 1 | 1 | | 1 | | | 1 | 1 | | | | | | | Mellanskriv |
| | | | | | | | | | | | | | | | | | Distance screw |



| Fig. | Part Number Detaljnummer | Quantity/Antal | | | | | | | | | | | | | Description Benämning | |
|------|-----------------------------|----------------|----|----|-----|----|-----|----|----|-----|-----|----|----|----|--------------------------|--------------------------------------|
| | | 125 | | | 240 | | 250 | | | 500 | | | | | | |
| | | CR | WR | XC | CR | WR | CR | WR | XC | WRE | WRU | CR | XC | AE | | |
| 30 | 16 13 561-01 | | | | | | | 1 | | | | | | | | Huvudmunstycke 440 Main jet |
| | 16 13 562-01 | | | | | | | 1 | | | | | | | | Huvudmunstycke 450 Main jet |
| N | 16 13 685-01 | 1 | 1 | 1 | | | | | | | | | | | | Huvudmunstycke 370 Main jet |
| | 16 13 709-01 | | | | | 1 | | | | | | | | | | Huvudmunstycke 60 Main jet |
| 31 | 16 13 586-01 | 1 | 1 | 1 | | 1 | | 1 | 1 | | | | | | | Skvalplåt Baffle plate |
| 32 | 16 13 546-01 | 1 | 1 | 1 | | 1 | | 1 | 1 | | | | | | | Tomgångmunstycke P.J 45 Pilot jet |
| 33 | 16 13 543-01 | 1 | 1 | 1 | | 1 | | 1 | 1 | | | | | | | Packning Gasket |
| N | 16 13 574-01 | | | | | | 1 | | 1 | 1 | | | | | | Flottörhus Float chamber |
| | 16 13 778-01 | 1 | 1 | 1 | | | | | | | | | | | | Nål 6 DH 20 Needle |
| 35 | 16 13 647-01 | | | | | | | | | 1 | | | | | | Nål FJ 6 Needle |
| N | 16 13 787-01 | 1 | 1 | 1 | | | | | | | | | | | | Nål 6 F 16 Needle |
| | 16 13 693-01 | | | | | 1 | | 1 | | | | | | | | Bottenskruv Drain screw |
| 36 | 16 13 581-01 | | | | | 1 | | 1 | 1 | | | | | | | |
| N | 16 13 780-01 | 1 | 1 | 1 | | | | | | | | | | | | Packning Gasket |
| 37 | 16 13 582-01 | | | | | 1 | | 1 | 1 | | | | | | | |
| N | 16 13 781-01 | 1 | 1 | 1 | | | | | | | | | | | | Klamma Clamp |
| 38 | 16 13 535-01 | | | | | 1 | | 1 | 1 | | | | | | | Anslutning Connection |
| 40 | 16 13 533-01 | | | | | 1 | | 1 | 1 | | | | | | | Flottörm Float lever |
| 41 | 16 13 564-01 | 1 | 1 | 1 | | 1 | | 1 | 1 | | | | | | | Bricka Washer |
| 42 | 16 13 565-01 | 2 | 2 | 2 | | 2 | | 2 | 2 | | | | | | | Luftmunstycke 2,0 Air jet |
| 43 | 16 13 568-01 | 1 | 1 | 1 | | 1 | | 1 | 1 | | | | | | | Skruv M8x25 Screw |
| 47 | 72 55 453-00 | | | | | 2 | | 2 | 2 | | | | | | | Bricka 8,4x16 Washer |
| 48 | 73 41 164-01 | | | | | 2 | | 2 | 2 | | | | | | | |

**Förgasare
Carburettor**



Tillbehör/Accessories

10
N
N
N

16 13 575-01
16 13 576-01
16 13 577-01
16 13 784-01
16 13 785-01
16 13 786-01

28

16 13 549-01
16 13 550-01
16 13 551-01
16 13 552-01
16 13 553-01
16 13 554-01
16 13 555-01
16 13 642-01
16 13 699-01
16 13 788-01
16 13 789-01
16 13 790-01
16 13 791-01
16 13 792-01

N
N
N
N
N

30

16 13 556-01
16 13 557-01
16 13 558-01
16 13 559-01
16 13 561-01
16 13 562-01
16 13 563-01
16 13 641-01
16 13 694-01
16 13 695-01
16 13 696-01
16 13 697-01
16 13 698-01
16 13 683-01
16 13 684-01
16 13 685-01
16 13 686-01

N
N
N

32

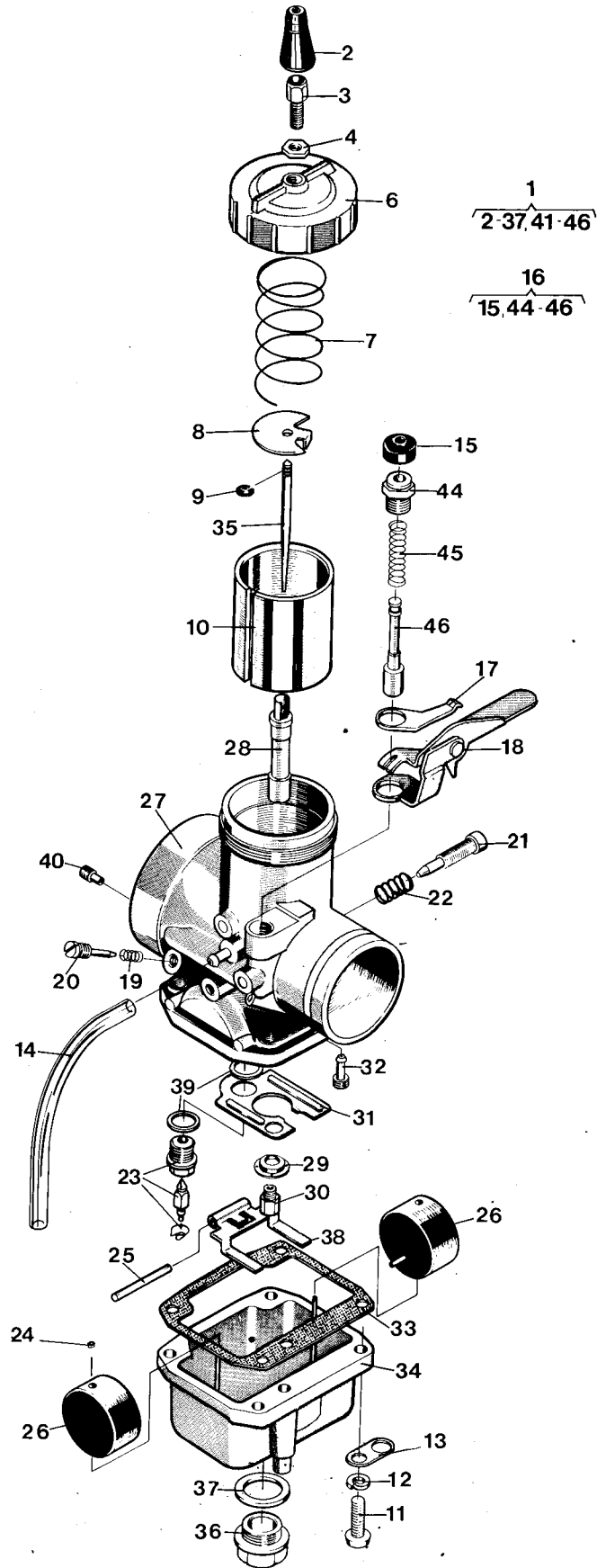
16 13 544-01
16 13 545-01
16 13 546-01
16 13 547-01
16 13 548-01

Trottlar
Throttles
C.A. 2.0
C.A. 2.5
C.A. 3.0
C.A. 1.5 (Ø 36 mm)
C.A. 2.0 (Ø 36 mm)
C.A. 2.5 (Ø 2.5)

Nålmunstycke
Needle jets
N.J Q-4
N.J Q-5
N.J Q-6
N.J Q-8
N.J R-0
N.J R-2
N.J R-4
N.J R-6
N.J R-8
N.J Q-6 (Ø 36 mm)
N.J Q-8 (Ø 36 mm)
N.J R-0 (Ø 36 mm)
N.J R-2 (Ø 36 mm)
N.J R-4 (Ø 36 mm)

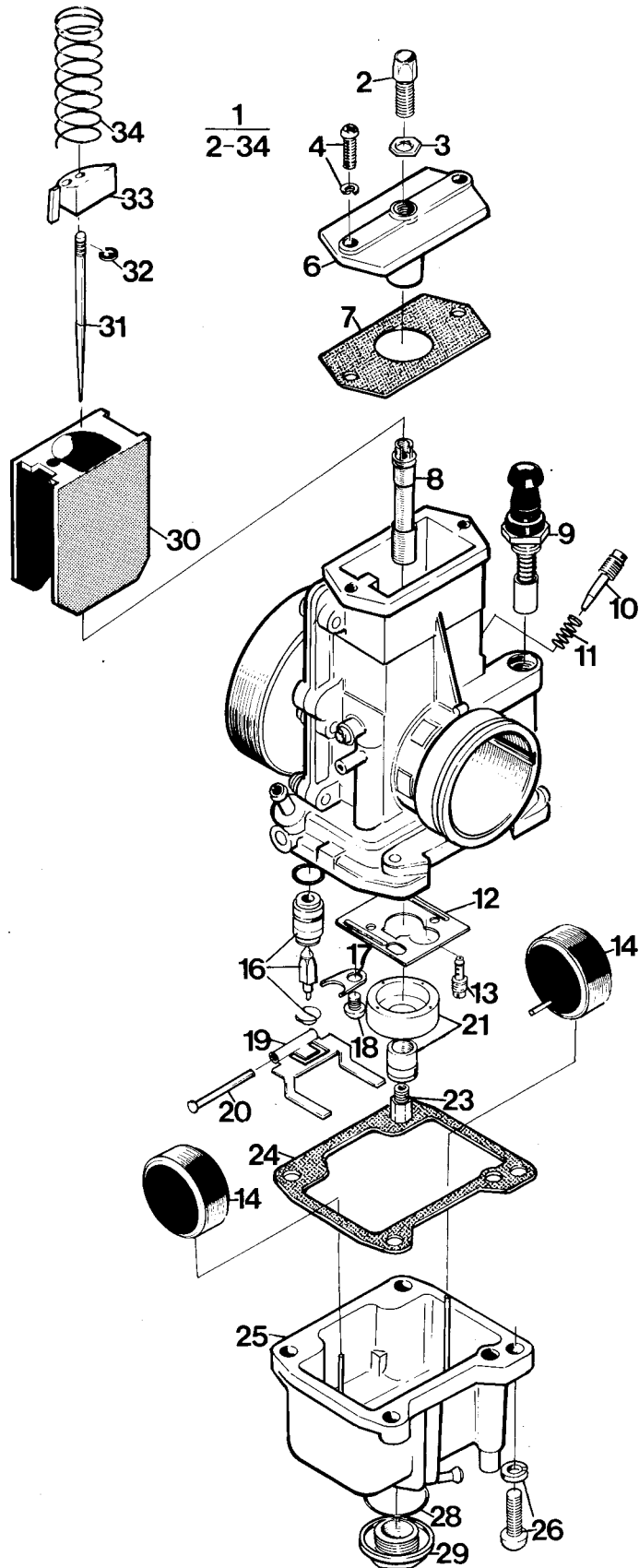
Huvudmunstycke
Main jets
M.J 390
M.J 400
M.J 410
M.J 420
M.J 440
M.J 450
M.J 460
M.J 470
M.J 480
M.J 490
M.J 500
M.J 530
M.J 560
M.J 350
M.J 360
M.J 370
M.J 380

Tomgångsmunstycke
Idling jets
P.J 35
P.J 40
P.J 45
P.J 50
P.J 55



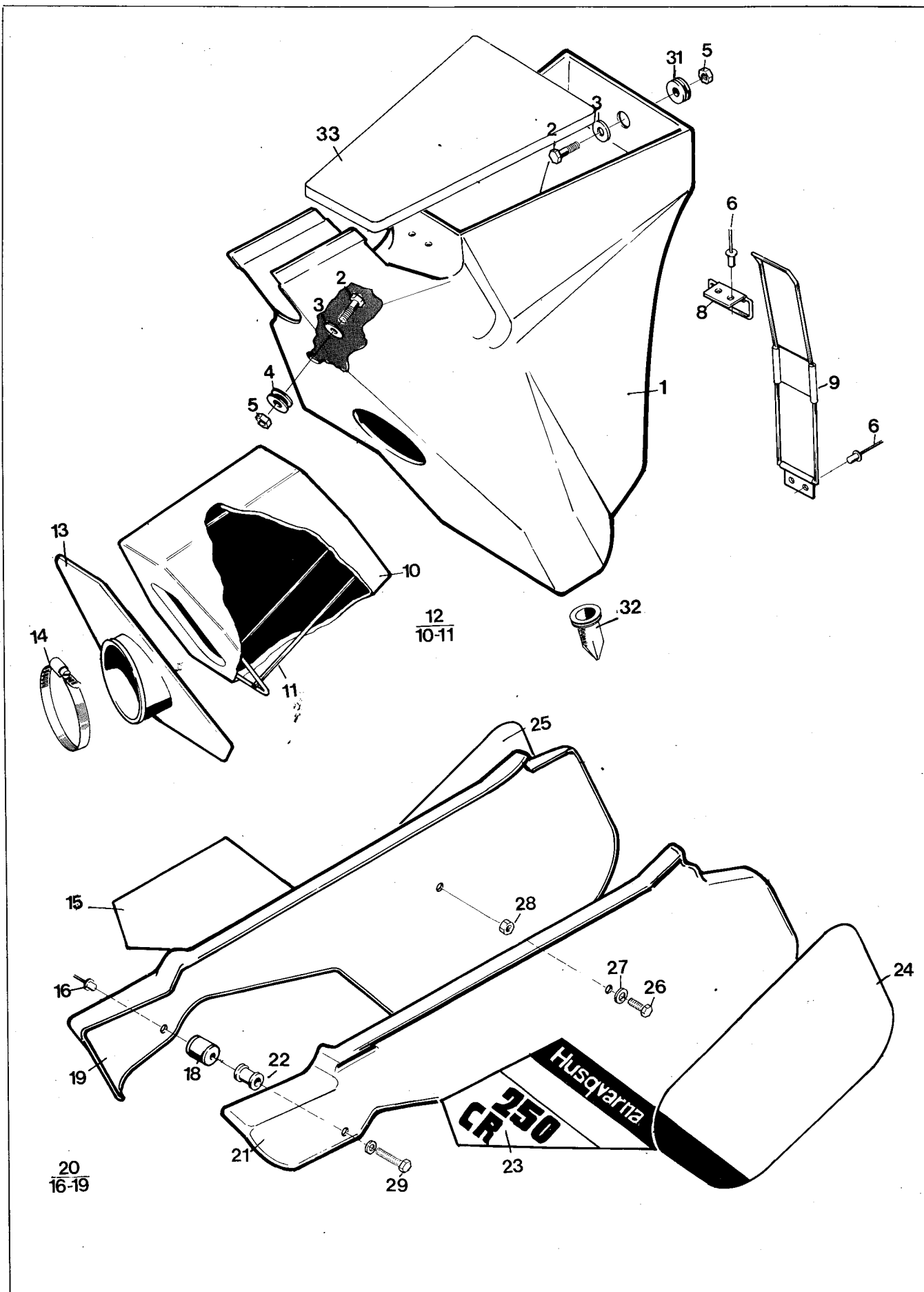
| N | Fig. | Detailnummer Partnummer | Antal Quantity | Benämning Description |
|----------------------------------|------|----------------------------|-------------------|--|
| N | 1 | 16 13 722-01 | 1 | Förgasare Mikuni Ø40. Carbuettor 500 WR EU |
| | | 16 13 701-01 | 1 | Förgasare Mikuni Ø 40. Carbuettor |
| | 2 | 16 13 128-01 | 1 | Skyddshylsa. Protection sleeve |
| | 3 | 16 13 916-01 | 1 | Ställskruv. Adjuster |
| | 4 | 16 13 908-01 | 1 | Mutter. Nut |
| | 6 | 16 13 653-01 | 1 | Lock. Cover |
| | 7 | 16 13 654-01 | 1 | Fjäder. Spring |
| | 8 | 16 13 662-01 | 1 | Wire lås. Wire lock |
| | 9 | 16 13 661-01 | 1 | Nålclips. Needle clip |
| | 10 | 16 13 679-01 | 1 | Trottle 2.5. Throttle |
| | 11 | 72 41 329-01 | 4 | Skruv. Screw |
| | 12 | 73 51 146-01 | 4 | Bricka. Washer |
| | 13 | 16 13 569-01 | 2 | Hållare. Holder |
| | 14 | 16 13 448-01 | 2 | Slang. Hose |
| | 15 | 16 13 665-01 | 1 | Gummiskydd. Rubber cap |
| | 16 | 16 13 664-01 | 1 | Startventil. Start valve compl. |
| | 17 | 16 13 594-01 | 1 | Fjäder. Spring |
| | 18 | 16 13 595-01 | 1 | Chokereglage. Choke lever |
| | 19 | 16 13 655-01 | 1 | Fjäder. Spring |
| | 20 | 16 13 573-01 | 1 | Luftskruv. Air screw |
| | 21 | 16 13 588-01 | 1 | Ställskruv. Idle adjuster |
| | 22 | 16 13 587-01 | 1 | Fjäder. Spring |
| | 23 | 16 13 565-01 | 1 | Nålventil, kpl. Needle valve, compl. |
| | 24 | 16 13 585-01 | 2 | Flottörstopp. Cap |
| | 25 | 16 13 566-01 | 1 | Stift. Peg |
| | 26 | 15 13 578-01 | 2 | Flottör. Float |
| | 28 | 16 13 671-01 | 1 | Nålmunstycke, AA-5. Needle jet |
| | 29 | 16 13 658-01 | 1 | Bricka. Washer |
| | 30 | 16 13 684-01 | 1 | Huvudmunstycke 360. Main jet |
| | | 16 13 723-01 | 1 | Huvudmunstycke 80. Main jet.500 WR, EU |
| | | 16 13 663-01 | 1 | Skvalpplåt. Baffle plate. |
| | | 15 13 544-01 | 1 | Tomgångsmunstycke 35. Pilot jet |
| | | 16 13 543-01 | 1 | Packning. Gasket |
| | | 16 13 657-01 | 1 | Flottörhus. Float chamber |
| | | 16 13 681-01 | 1 | Nål. 7DH3. Needle |
| | | 16 13 659-01 | 1 | Bottenplugg. Drain plug |
| | | 16 13 660-01 | 1 | Packning. Gasket |
| | | 16 13 564-01 | 1 | Flottörarm. Float lever |
| | | 16 13 567-01 | 2 | Bricka. Washer |
| | | 16 13 676-01 | 1 | Luftmunstycke, AJ 0,7. Air jet |
| Tillbehör Accessories | | | | |
| | 10 | | | Throttlar Throttles |
| | | 16 13 677-01 | | C.A. 1.5 |
| | | 16 13 678-01 | | C.A. 2.0 |
| | | 16 13 679-01 | | C.A. 2.5 |
| | | 16 13 680-01 | | C.A. 3.0 |
| | 28 | | | Nålmunstycke Needle jet |
| | | 16 13 668-01 | | NJ Z-0 |
| | | 16 13 669-01 | | Z-5 |
| | | 16 13 670-01 | | AA-0 |
| | | 16 13 671-01 | | AA-5 |
| | | 16 13 672-01 | | BB-0 |
| | | 16 13 673-01 | | BB-5 |
| | | 16 13 674-01 | | CC-0 |
| | | 16 13 675-01 | | CC-5 |
| | 30 | | | Huvudmunstycke Main jet |
| | | 16 13 682-01 | | MJ 340 |
| | | 16 13 683-01 | | MJ 350 |
| | | 16 13 684-01 | | MJ 360 |
| | | 16 13 685-01 | | MJ 370 |
| | | 16 13 686-01 | | MJ 380 |
| | | 16 13 556-01 | | MJ 390 |
| | | 16 13 557-01 | | MJ 400 |
| | | 16 13 558-01 | | MJ 410 |
| | | 16 13 559-01 | | MJ 420 |
| | | 16 13 560-01 | | MJ 430 |
| | | 16 13 561-01 | | MJ 440 |
| | | 16 13 562-01 | | MJ 450 |
| | | 16 13 563-01 | | MJ 460 |
| | | 16 13 641-01 | | MJ 470 |
| | 32 | | | Tomgångsmunstycke Idling jet |
| | | 16 13 544-01 | | P.J 35 |
| | | 16 13 545-01 | | P.J 40 |
| | | 16 13 546-01 | | P.J 45 |
| | | 16 13 547-01 | | P.J 50 |
| | | 16 13 548-01 | | P.J 55 |

Förgasare
Carburettor 240, 250 CR



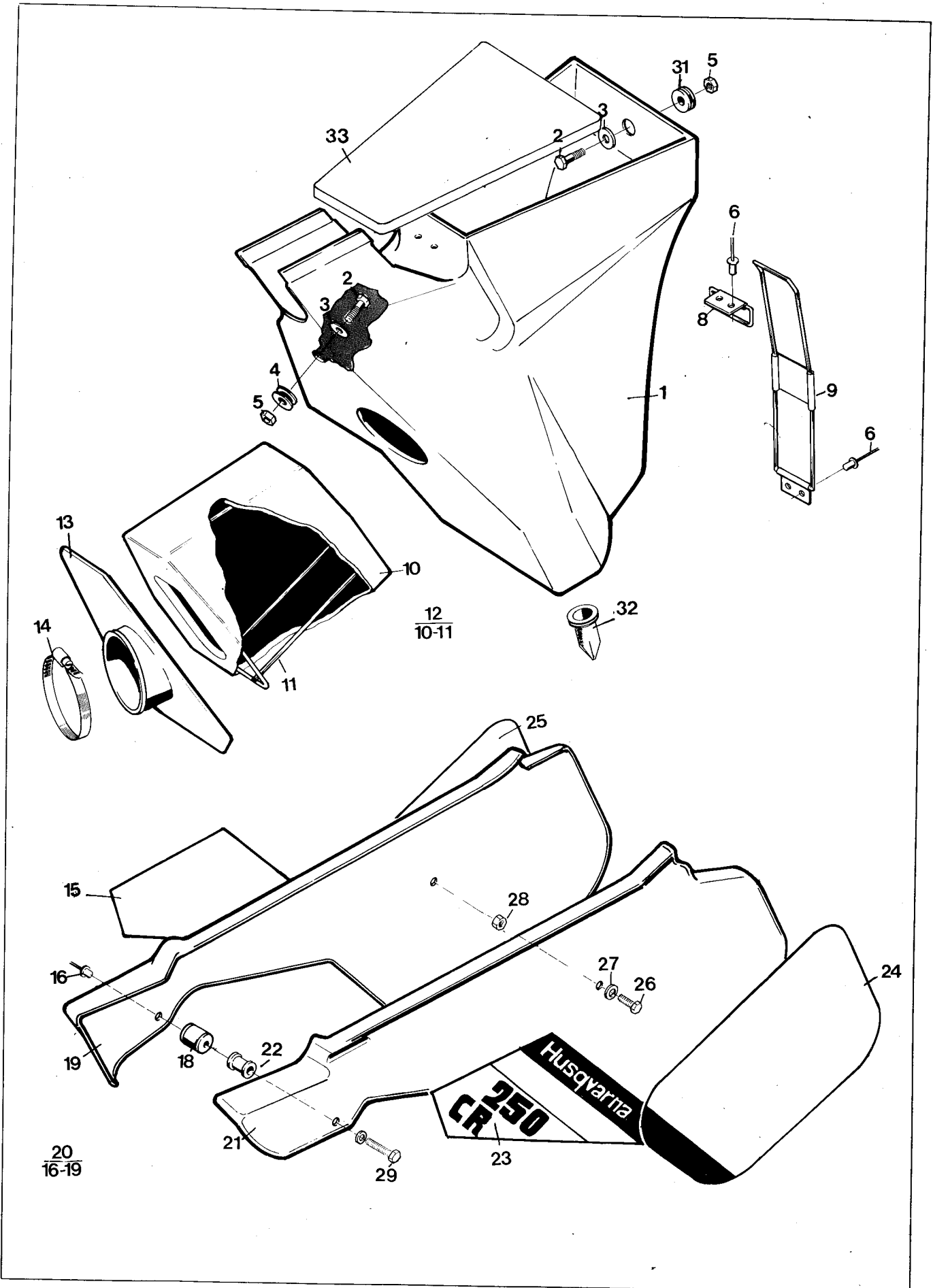
| Fig. | Part Number Detaljnummer | Quantity/Antal | | | | | | | | | | | Description Benämning | | | |
|------|-----------------------------|----------------|----|----|-----|----|-----|----|----|-----|-----|----|--------------------------|----|----|---------------------------------------|
| | | 125 | | | 240 | | 250 | | | 500 | | | | | | |
| | | CR | WR | XC | CR | WR | CR | WR | XC | WRE | WRU | CR | | XC | AE | |
| ✓ N | 1 | 16 13 719-01 | | | | 1 | | 1 | | | | | | | | Förgasare, kpl. Carburettor compl. |
| ✓ N | 2 | 16 13 757-01 | | | | 1 | | 1 | | | | | | | | Justerskruv Adjuster |
| ✓ N | 3 | 16 13 758-01 | | | | 1 | | 1 | | | | | | | | Mutter Nut |
| ✓ N | 4 | 16 13 741-01 | | | | 2 | | 2 | | | | | | | | Skruv Screw |
| ✓ N | 6 | 16 13 767-01 | | | | 1 | | 1 | | | | | | | | Lock Cover |
| ✓ N | 7 | 16 13 763-01 | | | | 1 | | 1 | | | | | | | | Packning Gasket |
| ✓ N | 8 | 16 13 731-01 | | | | 1 | | 1 | | | | | | | | Nålmunstycke Q6 |
| ✓ N | 9 | 16 19 857-01 | | | | 1 | | 1 | | | | | | | | Startventil Choke valve compl. |
| ✓ N | 10 | 16 13 752-01 | | | | 1 | | 1 | | | | | | | | Luftskruv Airscrew |
| ✓ N | 11 | 16 13 753-01 | | | | 1 | | 1 | | | | | | | | Fjäder Spring |
| ✓ N | 12 | 16 13 759-01 | | | | 1 | | 1 | | | | | | | | Skvalpskydd Plate |
| | 13 | 16 13 546-01 | | | | 1 | | 1 | | | | | | | | Tomgångsmunstycke Pilot jet |
| ✓ | 14 | 16 13 578-01 | | | | 2 | | 2 | | | | | | | | Flottör Float |
| ✓ N | 16 | 16 13 742-01 | | | | 1 | | 1 | | | | | | | | Nålventil Valve |
| N | 17 | 16 13 754-01 | | | | 1 | | 1 | | | | | | | | Hållare Holder |
| N | 18 | 16 13 755-01 | | | | 1 | | 1 | | | | | | | | Skruv Screw |
| | 19 | 16 13 564-01 | | | | 1 | | 1 | | | | | | | | Flottörm Float lever |
| | 20 | 16 13 566-01 | | | | 1 | | 1 | | | | | | | | Stift Peg |
| ✓ N | 21 | 16 13 748-01 | | | | 1 | | 1 | | | | | | | | Labyrint |
| ✓ | 23 | 16 13 557-01 | | | | 1 | | 1 | | | | | | | | Huvudmunstycke MJ 400 Main jet |
| ✓ N | 24 | 16 13 739-01 | | | | 1 | | 1 | | | | | | | | Packning Gasket |
| N | 25 | 16 13 740-01 | | | | 1 | | 1 | | | | | | | | Flottörhus Float chamber |
| ✓ N | 26 | 16 13 746-01 | | | | 4 | | 4 | | | | | | | | Skruv Screw |
| ✓ N | 28 | 16 13 750-01 | | | | 1 | | 1 | | | | | | | | O-ring |
| ✓ N | 29 | 16 13 749-01 | | | | 1 | | 1 | | | | | | | | Bottenskruv Drain screw |
| ✓ N | 30 | 16 13 736-01 | | | | 1 | | 1 | | | | | | | | Trottel 4.0. Throttle |
| ✓ N | 31 | 16 13 747-01 | | | | 1 | | 1 | | | | | | | | Nål 6FJ40 Needle |
| ✓ | 32 | 16 13 583-01 | | | | 1 | | 1 | | | | | | | | Nålclips Needle clip |
| ✓ N | 33 | 16 13 762-01 | | | | 1 | | 1 | | | | | | | | Wirelös Wire lock |
| ✓ N | 34 | 16 13 764-01 | | | | 1 | | 1 | | | | | | | | Fjäder Spring |
| N | 8 | 16 13 728-01 | | | | | | | | | | | | | | Nålmunstycke Q2, Needle jet |
| N | | 16 13 729-01 | | | | | | | | | | | | | | Nålmunstycke Q3, Needle jet |
| N | | 16 13 730-01 | | | | | | | | | | | | | | Nålmunstycke Q4, Needle jet |
| N | | 16 13 731-01 | | | | | | | | | | | | | | Nålmunstycke Q6, Needle jet |
| N | | 16 13 732-01 | | | | | | | | | | | | | | Nålmunstycke Q8, Needle jet |
| N | | 16 13 733-01 | | | | | | | | | | | | | | Nålmunstycke R0, Needle jet |
| N | 13 | 16 13 630-01 | | | | | | | | | | | | | | Tomgångsmunstycke 25, Pilot jet |
| N | | 16 13 510-01 | | | | | | | | | | | | | | Tomgångsmunstycke 30, Pilot jet |
| N | | 16 13 544-01 | | | | | | | | | | | | | | Tomgångsmunstycke 35, Pilot jet |
| | | 16 13 545-01 | | | | | | | | | | | | | | Tomgångsmunstycke 40, Pilot jet |
| | | 16 13 546-01 | | | | | | | | | | | | | | Tomgångsmunstycke 45, Pilot jet |
| | | 16 13 547-01 | | | | | | | | | | | | | | Tomgångsmunstycke 50, Pilot jet |
| N | 23 | 16 13 684-01 | | | | | | | | | | | | | | Huvudmunstycke MJ 360, Main jet |
| N | | 16 13 685-01 | | | | | | | | | | | | | | Huvudmunstycke MJ 370, Main jet |
| N | | 16 13 686-01 | | | | | | | | | | | | | | Huvudmunstycke MJ 380, Main jet |
| | | 16 13 556-01 | | | | | | | | | | | | | | Huvudmunstycke MJ 390, Main jet |
| | | 16 13 557-01 | | | | | | | | | | | | | | Huvudmunstycke MJ 400, Main jet |
| | | 16 13 558-01 | | | | | | | | | | | | | | Huvudmunstycke MJ 410, Main jet |
| | | 16 13 559-01 | | | | | | | | | | | | | | Huvudmunstycke MJ 420, Main jet |
| | | 16 13 560-01 | | | | | | | | | | | | | | Huvudmunstycke MJ 430, Main jet |
| N | 30 | 16 13 734-01 | | | | | | | | | | | | | | Trottel 6.0, Throttle |
| N | | 16 13 735-01 | | | | | | | | | | | | | | Trottel 5.0, Throttle |
| N | | 16 13 736-01 | | | | | | | | | | | | | | Trottel 4.0, Throttle |

Luftfilterbehållare Filter box



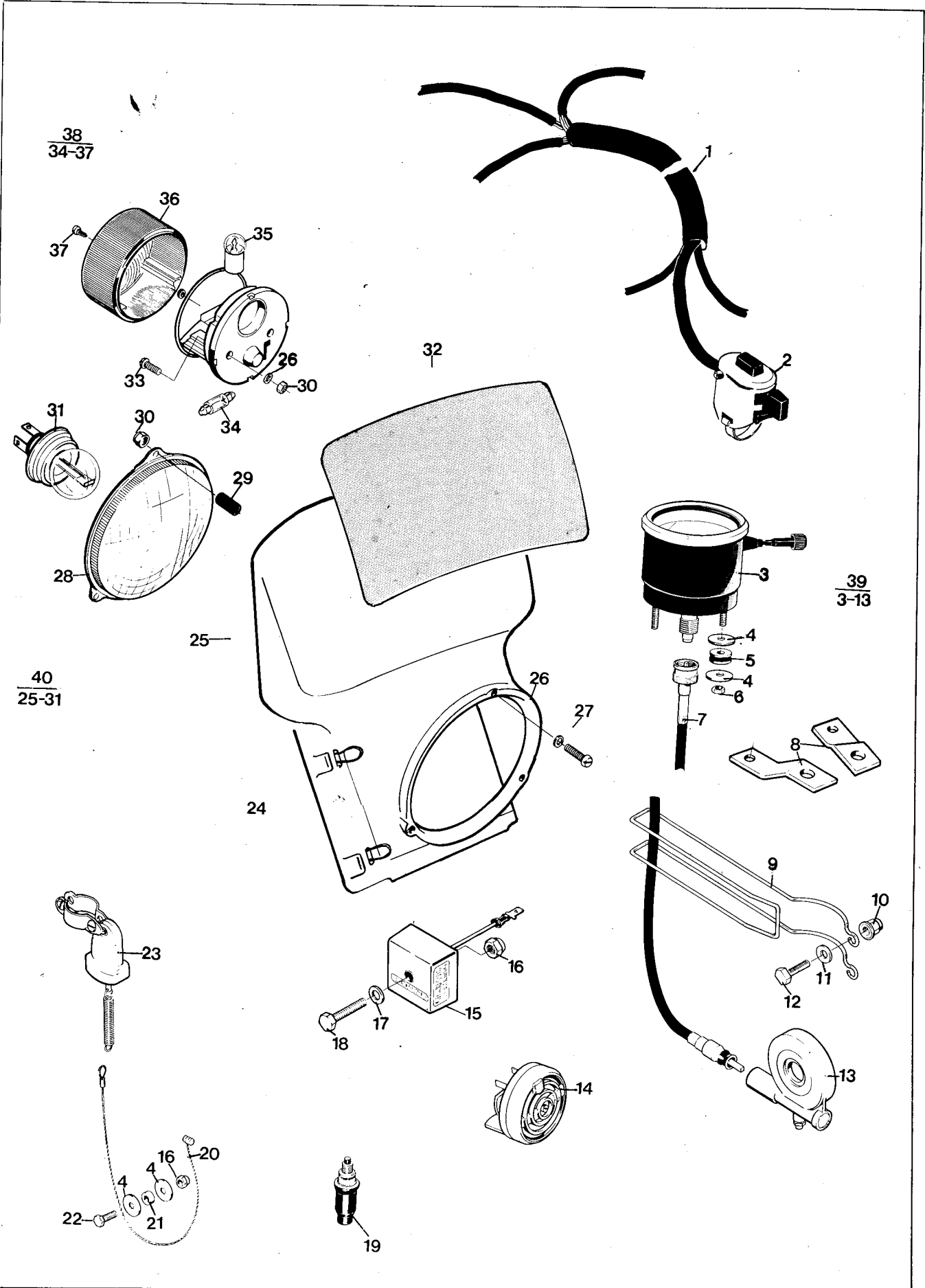
| Fig. | Part Number Detaljnummer | Quantity/Antal | | | | | | | | | | | | | Description Benämning |
|------|-----------------------------|----------------|----|----|-----|----|-----|----|----|-----|-----|----|----|----|--|
| | | 125 | | | 240 | | 250 | | | 500 | | | | | |
| | | CR | WR | XC | CR | WR | CR | WR | XC | WRE | WRU | CR | XC | AE | |
| 1 | 15 15 027-01 | 1 | 1 | 1 | 1 | 1 | 1 | 1 | 1 | 1 | 1 | 1 | 1 | 1 | Luftfilterbehållare. Filter box |
| 2 | 72 52 371-51 | 2 | 2 | 2 | 2 | 2 | 2 | 2 | 2 | 2 | 2 | 2 | 2 | 2 | Skruv M6×22 Screw |
| 3 | 15 13 709-01 | 2 | 2 | 2 | 2 | 2 | 2 | 2 | 2 | 2 | 2 | 2 | 2 | 2 | Bricka 6.5×22 Washer |
| 4 | 15 19 705-01 | 2 | 2 | 2 | 2 | 2 | 2 | 2 | 2 | 2 | 2 | 2 | 2 | 2 | Bussning Bushing |
| 5 | 73 22 116-01 | 2 | 2 | 2 | 2 | 2 | 2 | 2 | 2 | 2 | 2 | 2 | 2 | 2 | Mutter M6 Nut |
| 6 | 51 20 300-01 | 4 | 4 | 4 | 4 | 4 | 4 | 4 | 4 | 4 | 4 | 4 | 4 | 4 | Popnit Pop rivet |
| 8 | 15 15 030-01 | 1 | 1 | 1 | 1 | 1 | 1 | 1 | 1 | 1 | 1 | 1 | 1 | 1 | Länk Link |
| 9 | 15 15 029-01 | 1 | 1 | 1 | 1 | 1 | 1 | 1 | 1 | 1 | 1 | 1 | 1 | 1 | Bygel Clamp |
| 10 | 15 14 153-01 | 1 | 1 | 1 | 1 | 1 | 1 | 1 | 1 | 1 | 1 | 1 | 1 | 1 | Filter |
| 12 | 15 14 151-01 | 1 | 1 | 1 | 1 | 1 | 1 | 1 | 1 | 1 | 1 | 1 | 1 | 1 | Filter, kpl. Filter, compl. |
| 13 | 15 14 154-01 | | | | | | | | | | 1 | 1 | 1 | 1 | Anslutning Connection |
| | 15 14 155-01 | | | | 1 | | | 1 | 1 | | | | | | Anslutning Connection |
| | 15 14 150-01 | 1 | 1 | 1 | | | | | | | | | | | Anslutning Connection |
| | 15 14 157-01 | | | | | 1 | | | | | | | | | Anslutning Connection |
| | 15 14 166-01 | | | | | | | | 1 | | | | | | Anslutning Connection |
| 14 | 15 14 476-01 | | | | | | | | 1 | 1 | 1 | 1 | 1 | 1 | Klamma Clamp |
| | 16 13 539-01 | 1 | 1 | 1 | 1 | 1 | 1 | 1 | | | | | | | Klamma Clamp |
| N 15 | 15 19 781-01 | 1 | | | | | | | | | | | | | Dekal, höger Decal, right |
| | 15 19 781-02 | | 1 | | | | | | | | | | | | Dekal, höger Decal, right |
| | 15 19 781-03 | | | 1 | | | | | | | | | | | Dekal, höger Decal, right |
| | 15 19 781-04 | | | | 1 | | | | | | | | | | Dekal, höger Decal, right |
| | 15 19 781-05 | | | | | 1 | | | | | | | | | Dekal, höger Decal, right |
| | 15 19 781-06 | | | | | | 1 | | | | | | | | Dekal, höger Decal, right |
| | 15 19 781-07 | | | | | | | 1 | | | | | | | Dekal, höger Decal, right |
| | 15 19 781-08 | | | | | | | | 1 | | | | | | Dekal, höger Decal, right |
| | 15 19 781-09 | | | | | | | | | | | 1 | | | Dekal, höger Decal, right |
| | 15 19 781-10 | | | | | | | | 1 | 1 | | | | | Dekal, höger Decal, right |
| | 15 19 781-11 | | | | | | | | | | | | 1 | | Dekal, höger Decal, right |
| | 15 19 781-12 | | | | | | | | | | | | | 1 | Dekal, höger Decal, right |
| 16 | 72 27 867-02 | 3 | 3 | 3 | 3 | 3 | 3 | 3 | 3 | 3 | 3 | 3 | 3 | 3 | Popnit Pop rivet |
| 18 | 15 19 746-01 | 3 | 3 | 3 | 3 | 3 | 3 | 3 | 3 | 3 | 3 | 3 | 3 | 3 | Buffert Bumper |
| N 20 | 15 19 775-01 | 1 | 1 | 1 | 1 | 1 | 1 | 1 | 1 | 1 | 1 | 1 | 1 | 1 | Sidopanel, höger Side cover, right |
| N 21 | 15 17 745-01 | 1 | 1 | 1 | 1 | 1 | 1 | 1 | 1 | 1 | 1 | 1 | 1 | 1 | Sidopanel, vänster Side cover, left |
| N 22 | 15 19 767-01 | 1 | 1 | 1 | 1 | 1 | 1 | 1 | 1 | 1 | 1 | 1 | 1 | 1 | Distans Spacer |
| N 22 | 15 19 767-02 | | | | | | | | 1 | 1 | 1 | 1 | 1 | 1 | Distans Spacer |

Luftfilterbehållare
Filter box



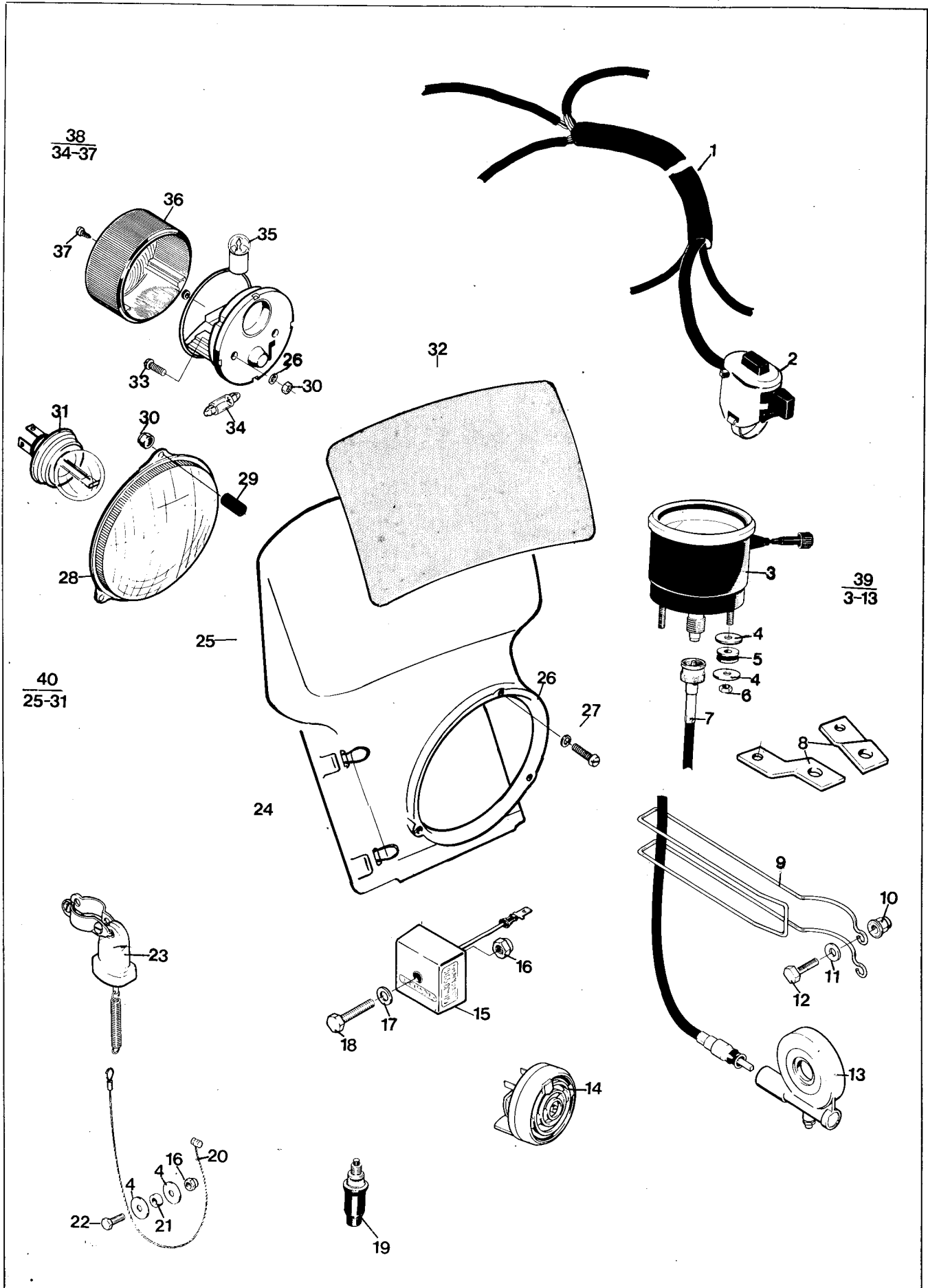
| Fig. | Part Number Detaljnummer | Quantity/Antal | | | | | | | | | | | | | Description Benämning | | |
|------|--------------------------------------|----------------|----|----|-----|----|-----|----|----|-----|-----|----|----|----|--------------------------|--|---|
| | | 125 | | | 240 | | 250 | | | 500 | | | | | | | |
| | | CR | WR | XC | CR | WR | CR | WR | XC | WRE | WRU | CR | XC | AE | | | |
| N 23 | 15 19 782-01 | 1 | | | | | | | | | | | | | | | Dekal, vänster Decal, left |
| | 15 19 782-02 | | 1 | | | | | | | | | | | | | | Dekal, vänster Decal, left |
| | 15 19 782-03 | | | 1 | | | | | | | | | | | | | Dekal, vänster Decal, left |
| | 15 19 782-04 | | | | 1 | | | | | | | | | | | | Dekal, vänster Decal, left |
| | 15 19 782-05 | | | | | 1 | | | | | | | | | | | Dekal, vänster Decal, left |
| | 15 19 782-06 | | | | | | 1 | | | | | | | | | | Dekal, vänster Decal, left |
| | 15 19 782-07 | | | | | | | 1 | | | | | | | | | Dekal, vänster Decal, left |
| | 15 19 782-08 | | | | | | | 1 | | | | | | | | | Dekal, vänster Decal, left |
| | 15 19 782-09 | | | | | | | | | | | 1 | | | | | Dekal, vänster Decal, left |
| | 15 19 782-10 | | | | | | | | 1 | 1 | | | | | | | Dekal, vänster Decal, left |
| | 15 19 782-11 | | | | | | | | | | | | 1 | | | | Dekal, vänster Decal, left |
| | 15 19 782-12 | | | | | | | | | | | | | 1 | | | Dekal, vänster Decal, left |
| N 24 | 15 17 905-03 15 716-03 | 1 | 1 | 1 | 1 | 1 | 1 | 1 | 1 | 1 | 1 | 1 | 1 | 1 | | | Nummerdekal, vänster, gul Number decal, left, yellow |
| N 25 | 15 17 908-03 15 785-03 | 1 | 1 | 1 | 1 | 1 | 1 | 1 | 1 | 1 | 1 | 1 | 1 | 1 | | | Nummerdekal, höger, gul Number decal, right, yellow |
| 26 | 72 52 370-51 | 1 | 1 | 1 | 1 | 1 | 1 | 1 | 1 | 1 | 1 | 1 | 1 | 1 | | | Skruv M6×20 Screw |
| 27 | 73 41 156-01 | 1 | 1 | 1 | 1 | 1 | 1 | 1 | 1 | 1 | 1 | 1 | 1 | 1 | | | Bricka 6.7×14 Washer |
| 28 | 15 13 706-01 | 1 | 1 | 1 | 1 | 1 | 1 | 1 | 1 | 1 | 1 | 1 | 1 | 1 | | | Mutter M6 Nut |
| 29 | 72 52 376-53 | 1 | 1 | 1 | 1 | 1 | 1 | 1 | | | | | | | | | Skruv M6×35 Screw |
| | 72 52 381-53 | | | | | | | | 1 | 1 | 1 | 1 | 1 | 1 | | | Screw M6×55 Screw |
| 31 | 15 19 342-01 | 1 | 1 | 1 | 1 | 1 | 1 | 1 | 1 | 1 | 1 | 1 | 1 | 1 | | | Bussning Bushing |
| 32 | 15 14 324-01 | 1 | 1 | 1 | 1 | 1 | 1 | 1 | 1 | 1 | 1 | 1 | 1 | 1 | | | Dräneringsventil Drain valve |
| 33 | 15 15 028-01 | | 1 | | | 1 | | 1 | | 1 | | 1 | | | | | Lock Cover |

Kabelmatta Harness



| Fig. | Part Number Detaljnummer | Quantity/Antal | | | | | | | | | | | | | Description Benämning |
|----------|---|----------------|----|----|-----|----|-----|----|----|-----|-----|----|----|----|---|
| | | 125 | | | 240 | | 250 | | | 500 | | | | | |
| | | CR | WR | XC | CR | WR | CR | WR | XC | WRE | WRU | CR | XC | AE | |
| 1 | 15 17 419-01 15 17 416-01 | | 1 | | | 1 | | | 1 | | | | | 1 | Kabelmatta Harness |
| 2 | 15 17 292-01 | | 1 | | | 1 | | | 1 | | | | | 1 | Omkopplare Switch |
| 85 3 | 15 19 877-01 15 19 493-01 15 19 878-01 | | 1 | | | 1 | | | 1 | | | | | 1 | Hastighetsmätare km/h Speedometer Hastighetsmätare MPH Speedometer |
| 4 | 15 13 709-01 | | 4 | | | 4 | | | 4 | 4 | | | | 4 | Bricka 6.5 x 22 Washer |
| 5 | 50 15 495-01 | | 2 | | | 2 | | | 2 | 2 | | | | 2 | Bussning Bushing |
| 6 | 73 22 114-01 | | 2 | | | 2 | | | 2 | 2 | | | | 2 | Mutter M5 Nut |
| 85 7 | 15 17 301-01 15 17 495-01 | | 1 | | | 1 | | | 1 | 1 | | | | 1 | Hastighetsmätarwire Speedometer wire |
| 85 8 | 15 17 418-01 15 17 206-01 | | 2 | | | 2 | | | 2 | 2 | | | | 2 | Fäste Attachment |
| 9 | 15 17 306-01 | | 1 | | | 1 | | | 1 | 1 | | | | 1 | Bygel Wire protector |
| 10 | 73 22 116-01 | | 2 | | | 2 | | | 2 | 2 | | | | 2 | Mutter M6 Nut |
| 11 | 73 41 153-01 | | 2 | | | 2 | | | 2 | 2 | | | | 2 | Bricka Washer |
| 12 | 72 52 371-51 | | 2 | | | 2 | | | 2 | 2 | | | | 2 | Skruv M6 x 22 Screw |
| 85 13 | 15 17 302-01 15 17 494-01 | | 1 | | | 1 | | | 1 | 1 | | | | 1 | Vinkelväxel Drive |
| 14 | 15 17 420-01 | | 1 | | | 1 | | | 1 | 1 | | | | 1 | Signal Horn |
| 15 | 16 14 757-01 | | 1 | | | 1 | | | 1 | 1 | | | | 1 | Spänningsregulator Voltage regulator |
| 16 | 73 22 116-01 | | 2 | | | 2 | | | 2 | 2 | | | | 2 | Mutter M6 Nut |
| 17 | 73 41 153-01 | | 2 | | | 2 | | | 2 | 2 | | | | 2 | Bricka 6.4 x 14 Washer |
| 18 | 72 52 376-51 | | 1 | | | 1 | | | 1 | 1 | | | | 1 | Skruv M6 x 35 Screw |
| 19 | 15 17 328-01 | | 1 | | | 1 | | | 1 | | | | | | Bromsljuskontakt Brake light switch |
| 20 | 15 17 364-02 | | 1 | | | 1 | | | 1 | | | | | | Wire |
| 21 | 16 11 151-02 | | 1 | | | 1 | | | 1 | | | | | | Distans Spacer |
| 22 | 72 52 368-51 | | 1 | | | 1 | | | 1 | | | | | | Skruv M6 x 16 Screw |
| 23 | 15 17 313-01 | | 1 | | | 1 | | | 1 | | | | | | Bromsljuskontakt Brake light switch |
| 24 | 74 04 429-14 | | 3 | | | 3 | | | 3 | 3 | | | | 3 | O-ring 84.5 x 3 |
| N 25 | 15 17 482-01 | | 1 | | | 1 | | | 1 | 1 | | | | 1 | Kåpa Head light |
| 26 | 73 41 146-01 | | 3 | | | 3 | | | 3 | 3 | | | | 3 | Bricka 5.3 x 10 Washer |
| 27 | 72 32 33-31 | | 3 | | | 3 | | | 3 | 3 | | | | 3 | Skruv M5 x 25 Screw |
| 28 | 15 17 428-01 | | 1 | | | 1 | | | 1 | 1 | | | | 1 | Reflektor Reflector |
| 29 | 15 14 078-04 | | 3 | | | 3 | | | 3 | 3 | | | | 3 | Slang Hose |
| 30 | 72 22 114-01 | | 3 | | | 3 | | | 3 | 3 | | | | 3 | Mutter M5 Nut |
| 31 | 15 17 409-01 | | 1 | | | 1 | | | 1 | 1 | | | | 1 | Glödlampa 12V - 45/40W Bulb |
| N 32 | 15 19 787-01 | | 1 | | | 1 | | | 1 | 1 | | | | 1 | Nummer oval, gul Number oval, yellow |
| 33 | 72 31 327-51 | | 2 | | | 2 | | | 2 | 2 | | | | 2 | Skruv M5 x 10 Screw |
| 34 | 15 19 617-01 | | 1 | | | 1 | | | 1 | 1 | | | | 1 | Glödlampa 12V - 5W Bulb |
| 35 | 15 19 616-01 | | 1 | | | 1 | | | 1 | | | | | | Glödlampa 12V - 10W Bulb |
| 36 | 15 17 389-01 | | 1 | | | 1 | | | 1 | 1 | | | | 1 | Lyktglas Lens |
| 38 | 15 17 355-01 | | 1 | | | 1 | | | 1 | 1 | | | | 1 | Baklykta Tail light |

Kabelmatta Harness



| Fig. | Part Number Detailnummer | Quantity/Antal | | | | | | | | | | | | | Description Benämning | |
|------|-----------------------------|----------------|----|----|-----|----|-----|----|----|-----|-----|----|----|----|--------------------------|--|
| | | 125 | | | 240 | | 250 | | | 500 | | | | | | |
| | | CR | WR | XC | CR | WR | CR | WR | XC | WRE | WRU | CR | XC | AE | | |
| 39 | 15 17 312-01 | | | | | | | | 1 | | | | | | 1 | Hastighetsmätare anläggning MPH Speedometer kit Hastighetsmätare anläggning km/h Speedometer Strålkastare.kpl. Head light. compl. |
| | 15 17 312-03 2 | | 1 | | | 1 | | | | 1 | | | | | | |
| N 40 | 15 17 481-01 | | 1 | | | 1 | | 1 | | 1 | 1 | | | | | |

Strålkastare kpl, WR Europa

15 17 312-01

Headlamp cpl, WR Europe

Scheinwerfer kpl

Strålkastarkåpa, WR Europa

15 17 481-01

Headlamp holder, WR Europe

Scheinwerfer-Halter

Strålkastarinsats, WR Europa

15 17 483-01

Headlamp inset, WR Europe

Scheinwerfer-Einsatz

Skruv, kåpa - insats, M5x40, WR Europa

72 31 339-01

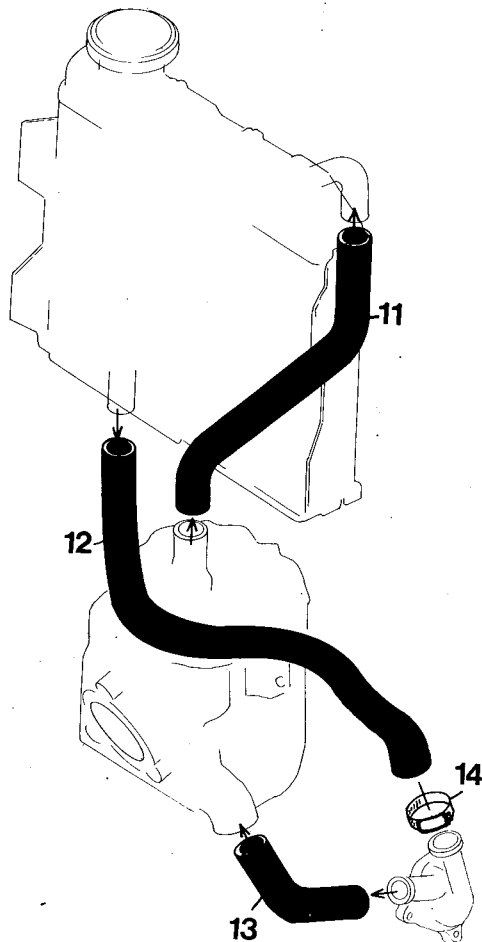
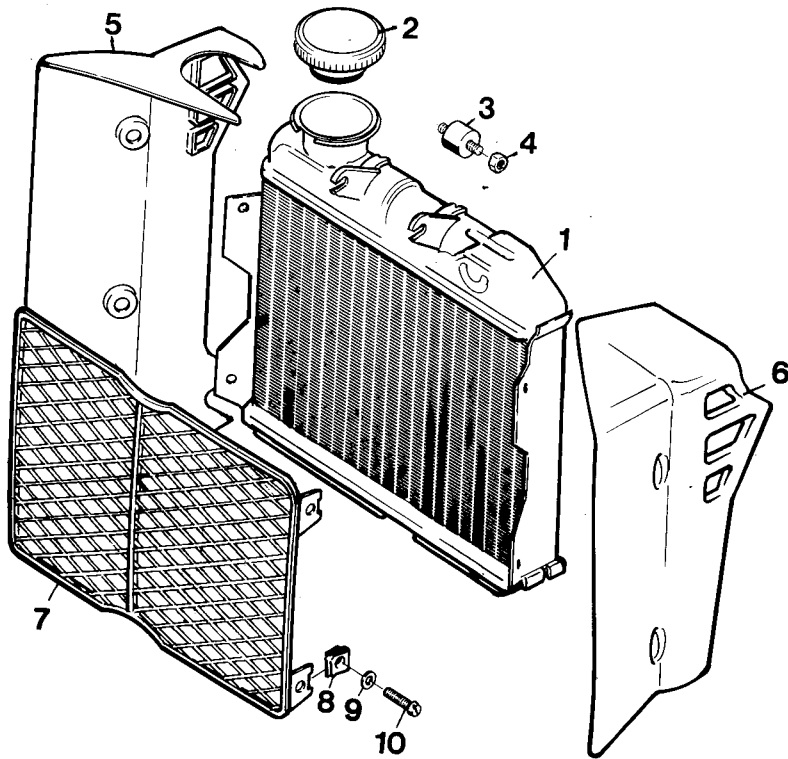
Screw, holder - inset, M5x40, WR Europe

Schrauben-Halter-Set

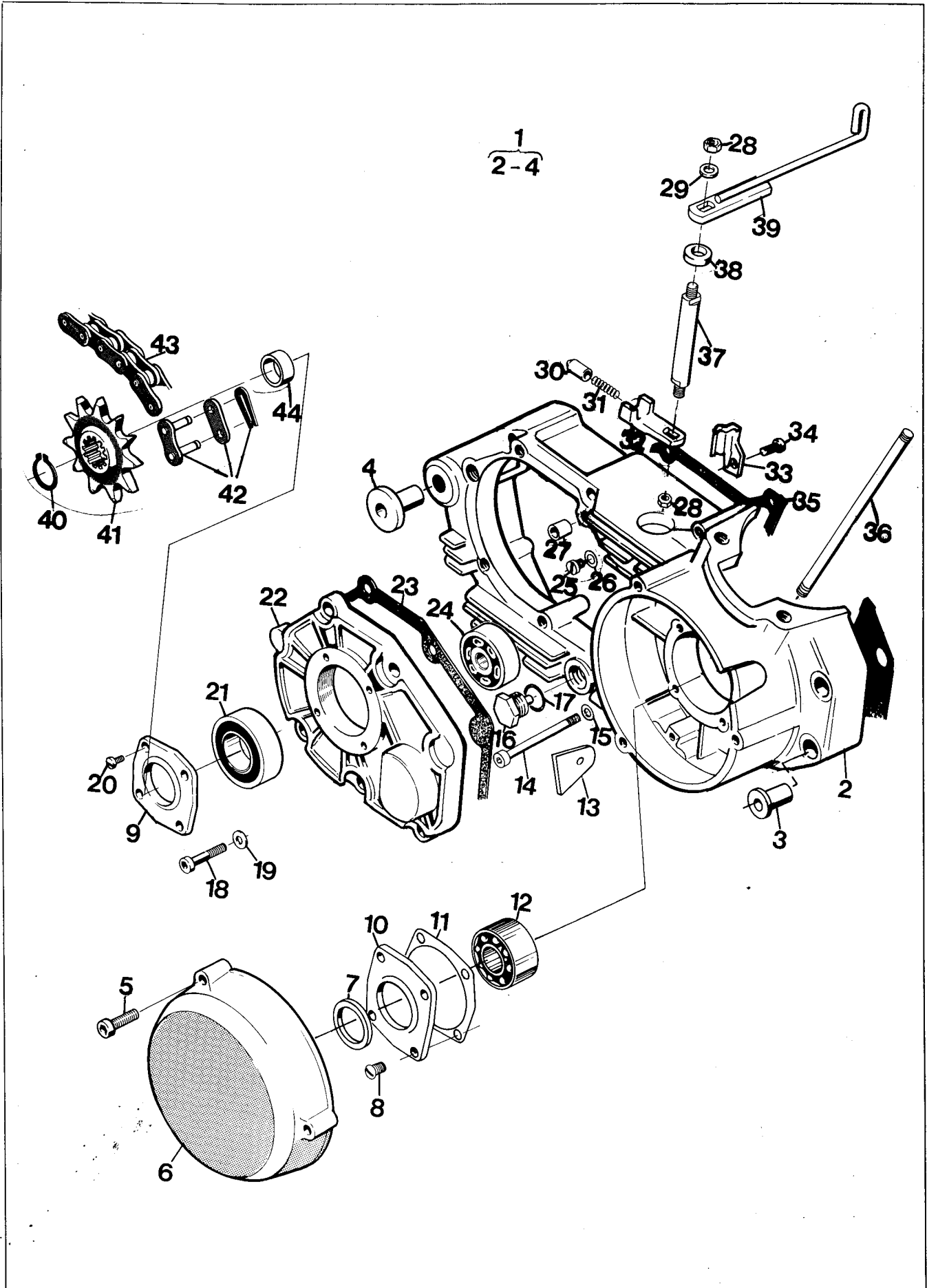
Blinkljäger CEV 12V (Wechselstrom)

15 17 361-01

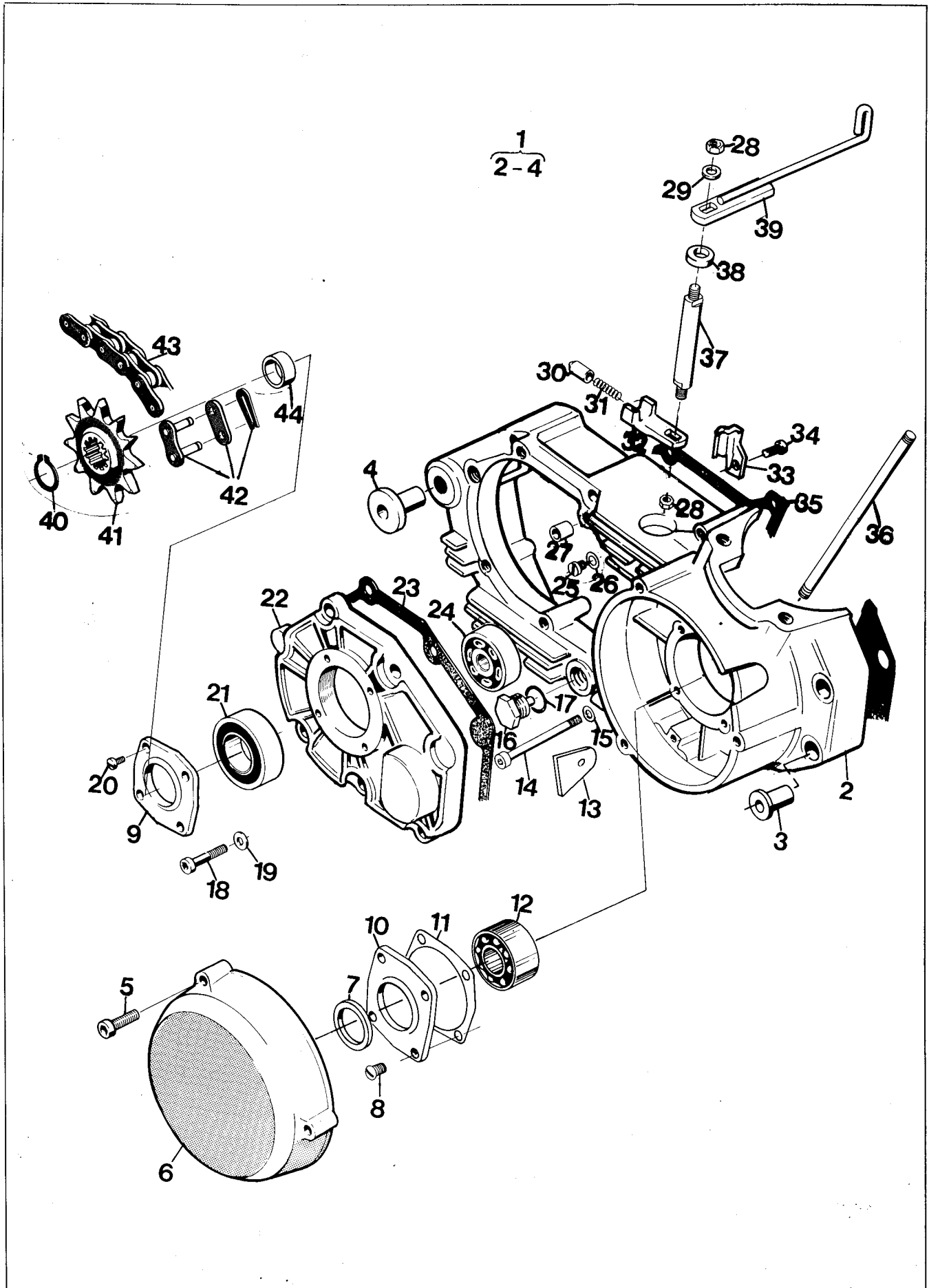
Kylare
Radiator



| Fig. | Part Number Detaljnummer | Quantity/Antal | | | | | | | | | | | | | Description Benämning | |
|------|-----------------------------|----------------|----|----|-----|----|-----|----|----|-----|-----|----|----|----|--------------------------|---|
| | | 125 | | | 240 | | 250 | | | 500 | | | | | | |
| | | CR | WR | XC | CR | WR | CR | WR | XC | WRE | WRU | CR | XC | AE | | |
| N 1 | 15 14 125-01 | 1 | 1 | 1 | 1 | | | 1 | | | | | | | | Kylare Radiator |
| N 2 | 15 14 126-01 | 1 | 1 | 1 | 1 | | | 1 | | | | | | | | Lock Cap |
| N 3 | 15 17 090-02 | 2 | 2 | 2 | 2 | | | 2 | | | | | | | | Vibrationsdämpare, övre Damper, upper |
| N | 15 17 090-03 | 1 | 1 | 1 | 1 | | | 1 | | | | | | | | Vibrationsdämpare, nedre Damper, lower |
| | 73 22 116-01 | 6 | 6 | 6 | 6 | | | 6 | | | | | | | | Mutter M6 Nut |
| N 5 | 15 14 138-01 | 1 | 1 | 1 | 1 | | | 1 | | | | | | | | Spoiler, höger Spoiler, right |
| N 6 | 15 14 137-01 | 1 | 1 | 1 | 1 | | | 1 | | | | | | | | Spoiler, vänster Spoiler, left |
| N 7 | 15 14 130-01 | 1 | 1 | 1 | 1 | | | 1 | | | | | | | | Stenskottsskydd Protection net |
| N 8 | 15 14 129-01 | 4 | 4 | 4 | 4 | | | 4 | | | | | | | | Mutter Nut |
| N 9 | 73 41 153-04 | 4 | 4 | 4 | 4 | | | 4 | | | | | | | | Bricka Washer |
| N 10 | 15 13 739-01 | 4 | 4 | 4 | 4 | | | 4 | | | | | | | | Skruv Screw |
| N 11 | 15 14 131-01 | 1 | 1 | 1 | | | | | | | | | | | | Slang Hose |
| N | 15 14 131-02 | | | | 1 | | | 1 | | | | | | | | Slang Hose |
| N 12 | 15 14 132-01 | 1 | 1 | 1 | | | | | | | | | | | | Slang Hose |
| N | 15 14 133-01 | | | | 1 | | | 1 | | | | | | | | Slang Hose |
| N 13 | 16 17 960-01 | 1 | 1 | 1 | | | | | | | | | | | | Slang Hose |
| N | 13 17 962-01 | | | | 1 | | | 1 | | | | | | | | Slang Hose |
| N 14 | 73 62 822-51 | 6 | 6 | 6 | 6 | | | 6 | | | | | | | | Klamma Clamp |

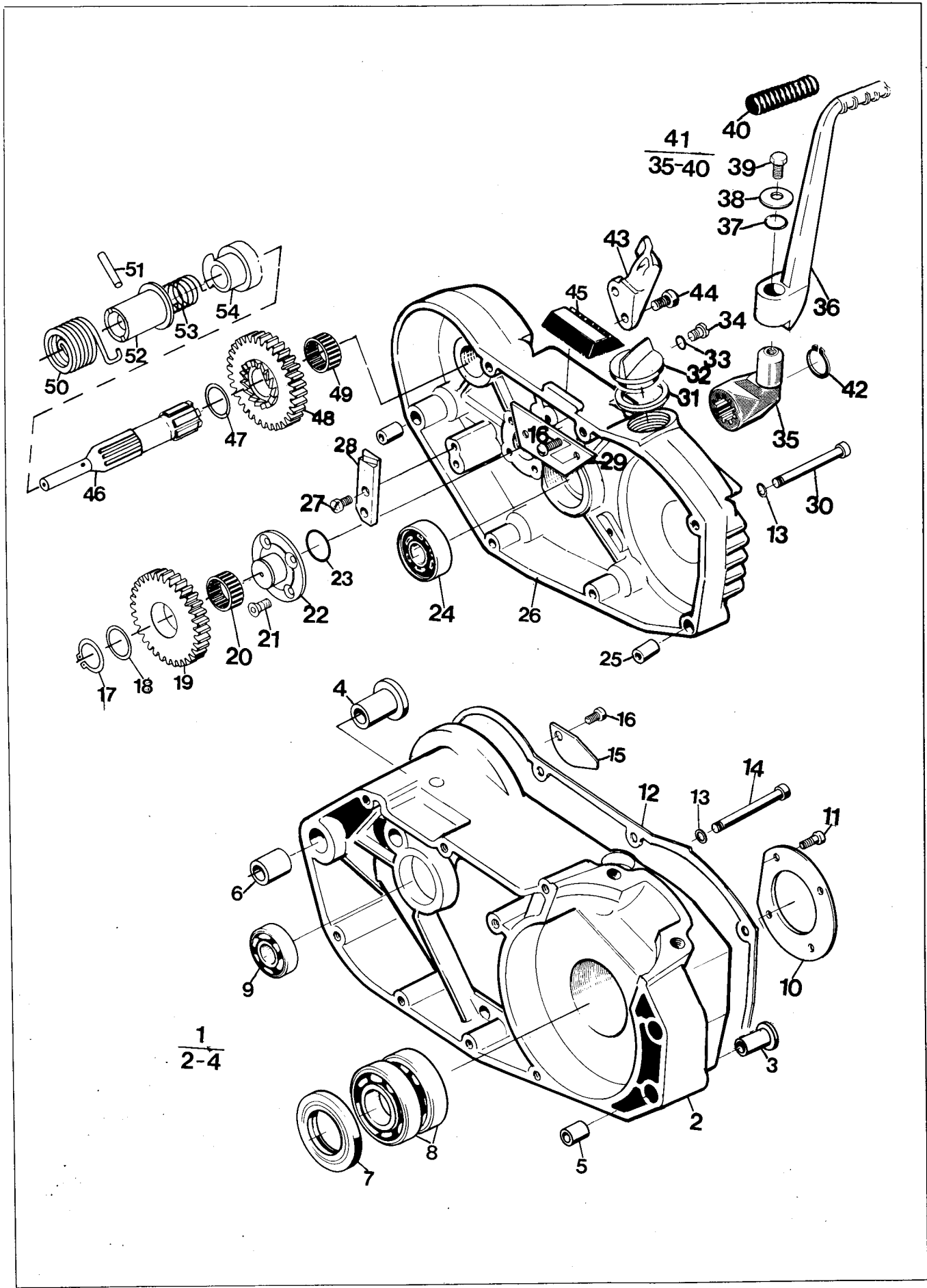


| Fig. | Part Number Detaljnummer | Quantity/Antal | | | | | | | | | | | | Description Benämning | | |
|------|-----------------------------|----------------|----|----|-----|----|-----|----|----|-----|-----|----|----|--------------------------|----|-----------------------------------|
| | | 125 | | | 240 | | 250 | | | 500 | | | | | | |
| | | CR | WR | XC | CR | WR | CR | WR | XC | WRE | WRU | CR | XC | | AE | |
| N 1 | 16 19 834-01 | | | | | | | | | | | | | | 1 | Vevhushalva Crankcase half |
| | 16 19 836-01 | | | | | | | | | | | | | | | Vevhus, kpl. Crankcase, compl. |
| 3 | 16 10 777-01 | | | | | | | | | | | | | | 2 | Bussning Bushing |
| 4 | 16 11 516-01 | | | | | | | | | | | | | | 1 | Bussning Bushing |
| 5 | 72 55 378-01 | | | | | | | | | | | | | | 3 | Skruv M6×40 Screw |
| 6 | 16 11 640-01 | | | | | | | | | | | | | | 1 | Kåpa Cover |
| 7 | 15 13 725-01 | | | | | | | | | | | | | | 1 | Tätning Seal |
| 8 | 72 31 328-51 | | | | | | | | | | | | | | 4 | Skruv M5×14 Screw |
| 9 | 16 11 778-01 | | | | | | | | | | | | | | 1 | Fläns Flange |
| 10 | 16 10 810-01 | | | | | | | | | | | | | | 1 | Fläns Flange |
| 11 | 12 25 358-01 | | | | | | | | | | | | | | 1 | Packning Gasket |
| 12 | 73 83 205-40 | | | | | | | | | | | | | | 1 | Kullager Bearing |
| 13 | 16 14 728-01 | | | | | | | | | | | | | | 1 | Kabelgenomföring Grommet |
| 14 | 72 55 382-01 | | | | | | | | | | | | | | 8 | Skruv M6×60 Screw |
| 15 | 15 13 730-01 | | | | | | | | | | | | | | 8 | Bricka Washer |
| 16 | 16 12 537-01 | | | | | | | | | | | | | | 1 | Oljeplugg Drain plug |
| 17 | 12 25 025-01 | | | | | | | | | | | | | | 1 | Packning Gasket |
| 18 | 72 52 455-51 | | | | | | | | | | | | | | 5 | Skruv M8×30 Screw |
| | 72 52 459-51 | | | | | | | | | | | | | | 2 | Skruv M8×40 Screw |
| 19 | 73 41 164-01 | | | | | | | | | | | | | | 7 | Bricka Washer |
| 20 | 72 35 328-55 | | | | | | | | | | | | | | 4 | Skruv M5×14 Screw |
| 21 | 73 82 205-28 | | | | | | | | | | | | | | 1 | Kullager Bearing |
| N 22 | 16 11 233-01 | | | | | | | | | | | | | | 1 | Lock Cover |
| N 23 | 16 11 251-01 | | | | | | | | | | | | | | 1 | Packning Gasket |
| 24 | 73 82 202-25 | | | | | | | | | | | | | | 1 | Kullager Bearing |
| 25 | 12 25 077-01 | | | | | | | | | | | | | | 1 | Skruv Screw |
| 26 | 73 41 146-01 | | | | | | | | | | | | | | 1 | Bricka Washer |
| N 27 | 16 11 235-01 | | | | | | | | | | | | | | 2 | Styrstift Peg |
| 28 | 73 22 118-01 | | | | | | | | | | | | | | 2 | Mutter M8 Nut |
| 30 | 16 12 455-01 | | | | | | | | | | | | | | 1 | Spärrhylsa Ratchet sleeve |
| 31 | 12 25 414-01 | | | | | | | | | | | | | | 1 | Fjäder Spring |
| N 32 | 16 11 234-01 | | | | | | | | | | | | | | 1 | Hävarm Lever |
| N 33 | 16 11 229-01 | | | | | | | | | | | | | | 1 | Spärplåt Ratchet plate |
| 34 | 72 55 368-01 | | | | | | | | | | | | | | 1 | Skruv M6×16 Screw |
| N 35 | 16 11 247-01 | | | | | | | | | | | | | | 1 | Packning Gasket |
| 36 | 16 11 883-02 | | | | | | | | | | | | | | 4 | Dragbult Stud |



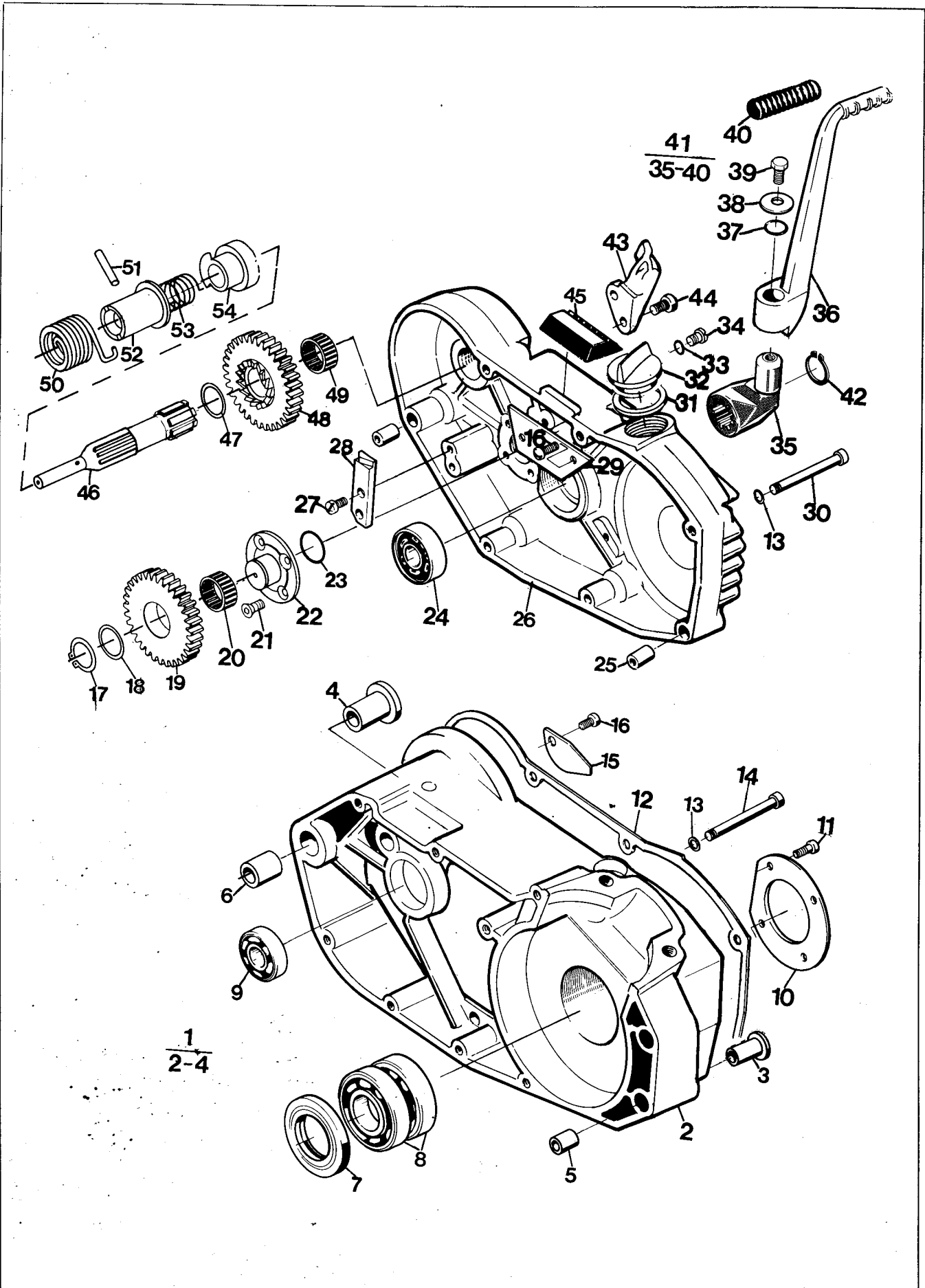
| Fig. | Part Number Detaljnummer | Quantity/Antal | | | | | | | | | | | | | | Description Benämning | |
|------|-----------------------------|----------------|----|----|-----|----|-----|----|----|-----|-----|----|----|----|--|--------------------------|-------------------------------------|
| | | 125 | | | 240 | | 250 | | | 500 | | | | | | | |
| | | CR | WR | XC | CR | WR | CR | WR | XC | WRE | WRU | CR | XC | AE | | | |
| N | 37 | 16 11 228-01 | | | | | | | | | | | | | | 1 | Inkopplingsaxel Engagement shaft |
| | 38 | 15 13 722-01 | | | | | | | | | | | | | | 1 | Tätning Seal |
| | 39 | 16 12 713-01 | | | | | | | | | | | | | | 1 | Hävarm Lever |
| | 40 | 73 53 126-00 | | | | | | | | | | | | | | 1 | Låsring Circlip |
| | 41 | 16 12 693-03 | | | | | | | | | | | | | | 1 | Kedjedrev z = 12 Sprocket |
| | 42 | 15 19 759-01 | | | | | | | | | | | | | | 1 | Kedjelås MAster link |
| | 43 | 15 19 760-01 | | | | | | | | | | | | | | 1 | Kedja 5/8×1/4" 110 länk Chain |
| | 44 | 16 12 353-01 | | | | | | | | | | | | | | 1 | Distans Spacer |
| N | | 16 19 850-01 | | | | | | | | | | | | | | 1 | Packningssats Gasket set |

Vevhushalva, vänster
Crankcase half, left **500 AE**

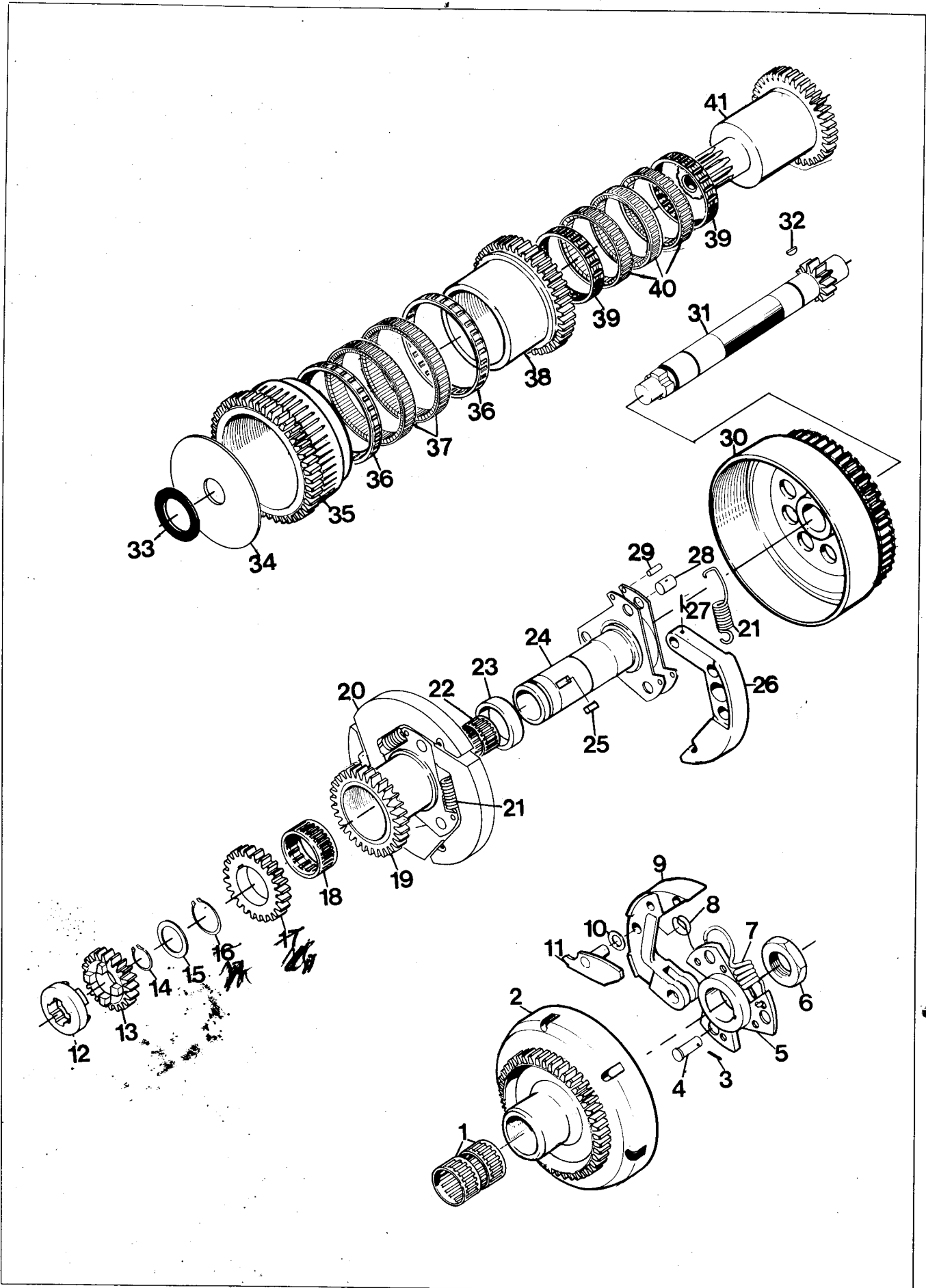


| Fig. | Part Number Detaljnummer | Quantity/Antal | | | | | | | | | | | | | Description Benämning | |
|------|---|----------------|----|----|-----|----|-----|----|----|-----|-----|----|----|----|--------------------------|--|
| | | 125 | | | 240 | | 250 | | | 500 | | | | | | |
| | | CR | WR | XC | CR | WR | CR | WR | XC | WRE | WRU | CR | XC | AE | | |
| N 1 | 16 19 835-01 | | | | | | | | | | | | | | 1 | Vevhushalva, vänster Crankcase half, left |
| 3 | 16 10 777-01 | | | | | | | | | | | | | | 2 | Bussning Bushing |
| 4 | 16 11 516-01 | | | | | | | | | | | | | | 1 | Bussning Bushing |
| 5 | 16 10 776-01 | | | | | | | | | | | | | | 1 | Styrhylsa Sleeve |
| 6 | 16 11 527-01 | | | | | | | | | | | | | | 1 | Styrhylsa Sleeve |
| 7 | 15 13 726-01 | | | | | | | | | | | | | | 1 | Tätning Seal |
| 8 | 73.82 205-25 | | | | | | | | | | | | | | 2 | Kullager Bearing |
| 9 | 73 82 202-28 | | | | | | | | | | | | | | 1 | Kullager Bearing |
| 10 | 16 11 515-01 | | | | | | | | | | | | | | 1 | Stödbricka Support washer |
| 11 | 72 52 331-86 | | | | | | | | | | | | | | 4 | Skruv M5×20 Screw |
| N 12 | 16 11 250-01 | | | | | | | | | | | | | | 1 | Packning Gasket |
| 13 | 15 13 730-01 | | | | | | | | | | | | | | 7 | Bricka Washer |
| 14 | 72 55 380-01 | | | | | | | | | | | | | | 7 | Skruv M6×50 Screw |
| N 15 | 16 11 249-01 <i>10 795-01</i> | | | | | | | | | | | | | | 1 | Täckplåt Plate |
| 16 | 72 31 364-01 | | | | | | | | | | | | | | 1 | Skruv M6×10 Screw |
| 17 | 73 53 122-00 | | | | | | | | | | | | | | 1 | Låsring Circlip |
| 18 | 16 12 842-01 | | | | | | | | | | | | | | 1 | Bricka Washer |
| N 19 | 16 12 782-01 | | | | | | | | | | | | | | 1 | Mellanhjul Idle gear |
| 20 | 16 12 520-01 | | | | | | | | | | | | | | 1 | Nållager Needle bearing |
| 21 | 72 56 366-55 | | | | | | | | | | | | | | 4 | Skruv Screw |
| 22 | 16 12 702-01 | | | | | | | | | | | | | | 1 | Axel Shaft |
| 23 | 74 04 215-00 | | | | | | | | | | | | | | 1 | O-ring |
| 24 | 73 82 202-28 | | | | | | | | | | | | | | 1 | Kullager Bearing |
| 25 | 16 11 708-01 | | | | | | | | | | | | | | 2 | Styrstift Peg |
| N 26 | 16 11 232-01 | | | | | | | | | | | | | | 1 | Transmissionskåpa Cover |
| 27 | 72 52 370-51 | | | | | | | | | | | | | | 2 | Skruv Screw |
| N 28 | 16 11 248-01 | | | | | | | | | | | | | | 1 | Stoppklack Pawl |
| N 29 | 16 11 249-01 | | | | | | | | | | | | | | 1 | Täckplåt Plate |
| 30 | 72 55 380-01 | | | | | | | | | | | | | | 7 | Skruv M6×50 Screw |
| 31 | 50 12 782-01 | | | | | | | | | | | | | | 1 | Packning Gasket |
| 32 | 16 10 786-02 | | | | | | | | | | | | | | 1 | Lock Cap |
| 33 | 16 10 823-01 | | | | | | | | | | | | | | 1 | Packning Gasket |
| 34 | 72 31 364-01 | | | | | | | | | | | | | | 1 | Skruv M6×10 Screw |
| 35 | 16 11 672-01 | | | | | | | | | | | | | | 1 | Axeldel, kick Kickstarter, lower |
| 36 | 16 12 731-01 | | | | | | | | | | | | | | 1 | Kickpedal Kickstarter pedal |
| 37 | 74 04 311-00 | | | | | | | | | | | | | | 1 | O-ring |

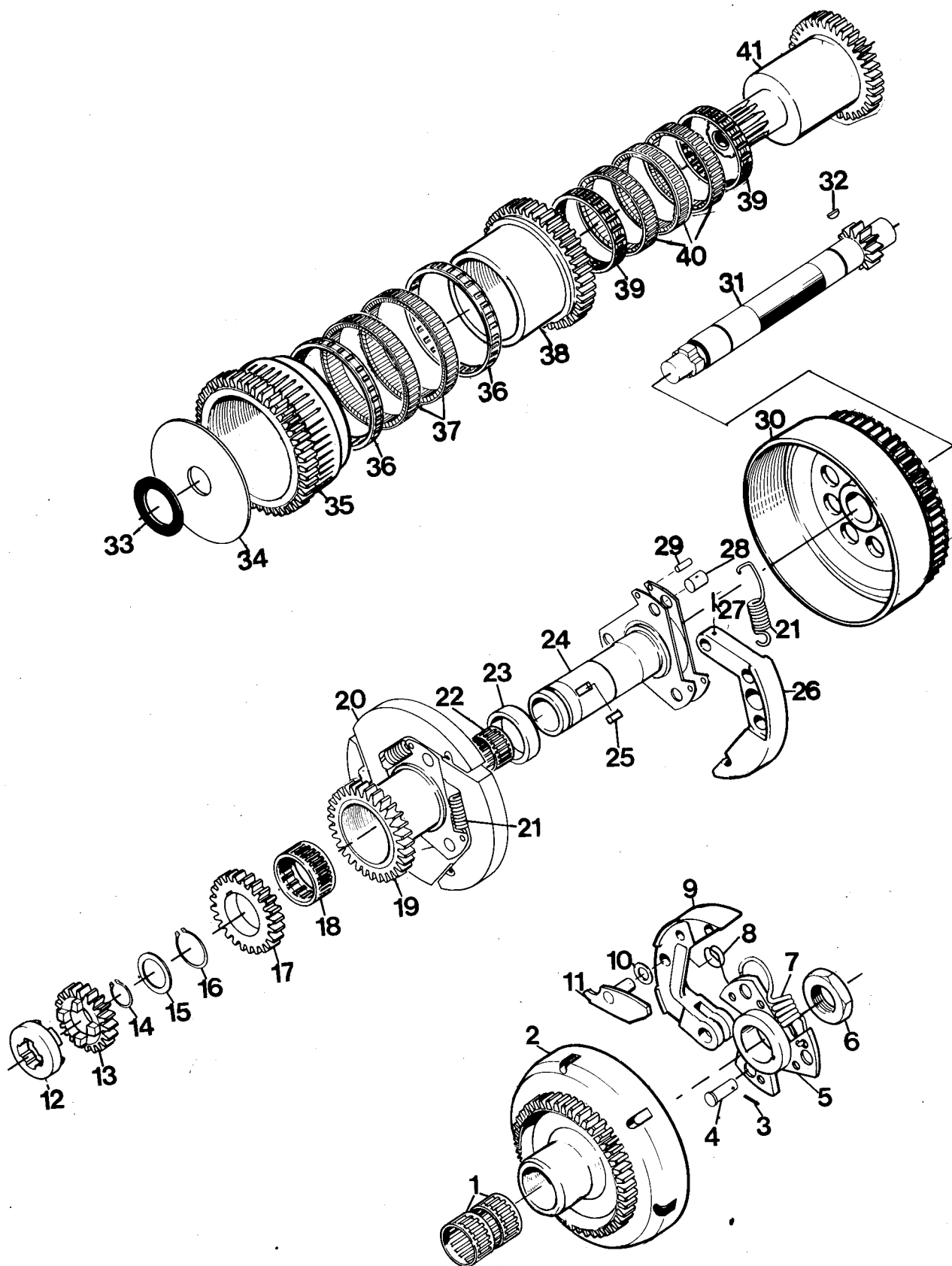
Vevhushalva, vänster
Crankcase half, left **500 AE**



| Fig. | Part Number Detaljnummer | Quantity/Antal | | | | | | | | | | | | | Description Benämning | |
|------|-----------------------------|----------------|----|----|-----|----|-----|----|----|-----|-----|----|----|----|--------------------------|-----------------------------------|
| | | 125 | | | 240 | | 250 | | | 500 | | | | | | |
| | | CR | WR | XC | CR | WR | CR | WR | XC | WRE | WRU | CR | XC | AE | | |
| | 38 | 16 11 298-01 | | | | | | | | | | | | | 1 | Bricka Washer |
| | 39 | 72 55 368-01 | | | | | | | | | | | | | 1 | Skruv M6×16 Screw |
| | 40 | 12 25 702-01 | | | | | | | | | | | | | 1 | Kickgummi Rubber |
| | 41 | 16 11 696-01 | | | | | | | | | | | | | 1 | Kick, kpl. Kickstarter, compl. |
| | 42 | 73 53 120-00 | | | | | | | | | | | | | 1 | Låsring Circlip |
| N | 43 | 16 11 255-01 | | | | | | | | | | | | | 1 | Kickstopp Kick stop |
| | 44 | 72 55 368-01 | | | | | | | | | | | | | 2 | Skruv M6×16 Screw |
| | 45 | 16 11 187-01 | | | | | | | | | | | | | 1 | Hävarmstöd Lever support |
| N | 46 | 16 12 677-01 | | | | | | | | | | | | | 1 | Kickaxel Kick shaft |
| | 47 | 16 12 524-01 | | | | | | | | | | | | | 1 | Bricka Washer |
| N | 48 | 16 12 781-01 | | | | | | | | | | | | | 1 | Kickdrev Kickstart gear |
| | 49 | 16 12 519-01 | | | | | | | | | | | | | 1 | Nållager Needle bearing |
| | 50 | 16 12 536-01 | | | | | | | | | | | | | 1 | Returfjäder Return spring |
| | 51 | 72 14 258-00 | | | | | | | | | | | | | 1 | Pinne Pin |
| | 52 | 16 12 674-01 | | | | | | | | | | | | | 1 | Distanshylsa Spacer |
| | 53 | 16 12 534-01 | | | | | | | | | | | | | 1 | Fjäder Spring |
| | 54 | 16 12 533-01 | | | | | | | | | | | | | 1 | Medbringarhjul Engaging gear |
| | 55 | 1513 730-01 | | | | | | | | | | | | | | |



| Fig. | Part Number Detaljnummer | Quantity/Antal | | | | | | | | | | | | | Description Benämning | | |
|------|-----------------------------|----------------|----|----|-----|----|-----|----|----|-----|-----|----|----|----|--------------------------|---|--------------------------------|
| | | 125 | | | 240 | | 250 | | | 500 | | | | | | | |
| | | CR | WR | XC | CR | WR | CR | WR | XC | WRE | WRU | CR | XC | AE | | | |
| N | 1 | 16 11 256-01 | | | | | | | | | | | | | | 2 | Nållager Needle bearing |
| N | 2 | 16 12 760-01 | | | | | | | | | | | | | | 1 | Kopplingstrumma Clutch drum |
| | 3 | 72 14 187-26 | | | | | | | | | | | | | | 3 | Stift Pin |
| | 4 | 16 12 695-01 | | | | | | | | | | | | | | 3 | Tapp Peg |
| N | 5 | 16 12 656-02 | | | | | | | | | | | | | | 1 | Kopplingsnav Clutch hub |
| | 6 | 16 12 712-01 | | | | | | | | | | | | | | 1 | Mutter Nut |
| N | 7 | 16 15 155-01 | | | | | | | | | | | | | | 3 | Fjäder Spring |
| N | 8 | 16 17 005-01 | | | | | | | | | | | | | | 3 | Spärrfjäder Spring |
| N | 9 | 16 11 241-01 | | | | | | | | | | | | | | 3 | Kopplingsback Clutch shoe |
| N | 10 | 15 13 736-01 | | | | | | | | | | | | | | 3 | Bricka Washer |
| N | 11 | 16 11 239-01 | | | | | | | | | | | | | | 3 | Spärr Pawl |
| | 12 | 16 12 703-01 | | | | | | | | | | | | | | 1 | Medbringarskiva Drive wheel |
| | 13 | 16 12 796-01 | | | | | | | | | | | | | | 1 | Drev 1:an Gear 1:st |
| | 14 | 73 53 122-00 | | | | | | | | | | | | | | 1 | Låsring Circlip |
| | 15 | 16 12 842-01 | | | | | | | | | | | | | | 1 | Bricka Washer |
| | 16 | 73 53 130-00 | | | | | | | | | | | | | | 1 | Låsring Circlip |
| | 17 | 16 12 573-01 | | | | | | | | | | | | | | 1 | Drev 2:an Gear 2:nd |
| | 18 | 16 11 263-01 | | | | | | | | | | | | | | 2 | Nållager Needle bearing |
| N | 19 | 16 12 776-01 | | | | | | | | | | | | | | 1 | Axel 3:an Shaft 3:rd |
| | 20 | 16 12 552-01 | | | | | | | | | | | | | | 3 | Kopplingsback Clutch shoe |
| | 21 | 16 12 553-01 | | | | | | | | | | | | | | 3 | Fjäder (170 N) Spring |
| N | 22 | 16 11 262-01 | | | | | | | | | | | | | | 2 | Nållager Needle bearing |
| N | 23 | 16 11 254-01 | | | | | | | | | | | | | | 1 | Distans Spacer |
| N | 24 | 16 12 772-01 | | | | | | | | | | | | | | 1 | Axel 2:an Shaft 2:nd |
| | 25 | 16 12 572-01 | | | | | | | | | | | | | | 1 | Kil Key |
| N | 26 | 16 11 238-01 | | | | | | | | | | | | | | 3 | Kopplingsback Clutch shoe |
| | 27 | 72 14 187-26 | | | | | | | | | | | | | | 3 | Pinne Pin |
| | 28 | 16 12 555-01 | | | | | | | | | | | | | | 3 | Tapp Peg |
| | 29 | 72 14 305-26 | | | | | | | | | | | | | | 3 | Pinne Pin |
| N | 30 | 16 12 757-01 | | | | | | | | | | | | | | 1 | Kopplingstrumma Clutch drum |
| N | 31 | 16 12 701-02 | | | | | | | | | | | | | | 1 | Axel Shaft |
| | 32 | 16 11 078-01 | | | | | | | | | | | | | | 1 | Kil Key |
| | 33 | 16 12 525-01 | | | | | | | | | | | | | | 1 | Bricka Washer |
| | 34 | 16 12 527-02 | | | | | | | | | | | | | | 1 | Bricka Washer |
| N | 35 | 16 12 768-01 | | | | | | | | | | | | | | 1 | Kugghjul 1:an Gear 1:st |
| | 36 | 16 12 751-01 | | | | | | | | | | | | | | 2 | Lager Bearing |



| Fig. | Part Number Detaljnummer | Quantity/Antal | | | | | | | | | | | | | Description Benämning | |
|------|-----------------------------|----------------|----|----|-----|----|-----|----|----|-----|-----|----|----|----|--------------------------|-------------------------------|
| | | 125 | | | 240 | | 250 | | | 500 | | | | | | |
| | | CR | WR | XC | CR | WR | CR | WR | XC | WRE | WRU | CR | XC | AE | | |
| N 37 | 16 11 265-01 | | | | | | | | | | | | | | 2 | Frihjul Free wheel |
| N 38 | 16 12 767-01 | | | | | | | | | | | | | | 1 | Kugghjul 2:an Gear 2:nd |
| 39 | 16 12 738-01 | | | | | | | | | | | | | | 2 | Nållager Needle bearing |
| N 40 | 16 11 264-01 | | | | | | | | | | | | | | 3 | Frihjul Free wheel |
| N 41 | 16 12 764-01 | | | | | | | | | | | | | | 1 | Utgående axel Output shaft |



SATS VEVAXELKOPPLING 500 AE

Det finns nu tillgänglig som reservdel en ny sats med slitdetaljer till vevaxelkopplingen på 500 AE.

| | | | |
|-----------------------|------|-----------------|--------------|
| Denna sats består av: | 1 st | trumma | 16 17 015-01 |
| | 3 st | kopplingsback | 16 11 241-01 |
| | 8 st | skruv | 72 56 367-55 |
| | 8 st | mutter | 73 22 116-01 |
| | 3 st | kopplingsfjäder | 16 12 793-01 |

Denna sats passar till den andra serien av 500 AE och de MC som har en kopplingstrumma som är skruvad till kugghjulet på vevaxeln. Satsen ersätter alltså den tidigare satsen där även kugghjulet ingick.

Var vänlig notera detta reservdelsnummer.

KIT CRANKSHAFT CLUTCH 500 AE KIT FÜR KURBELWELLE/KUPPLUNG 500 AE

Wir haben nun als Ersatzteil einen neuen Werkzeugsatz (Kit) für die Kurbelwelle/Kupplung der 500 AE's.

We have now available as a spare part a new kit for the crankshaft clutch on 500 AE's.

| | | | |
|-----------------------|-------|---------------|--------------|
| Dieser Kit enthält: | Stck. | Kupplungskorb | |
| This kit consists of: | 1 pc | clutch drum | 16 17 015-01 |
| Kupplungsbacken | 3 pcs | clutch shoe | 16 11 241-01 |
| Schraube | 8 pcs | screw | 72 56 367-55 |
| S cheibe | 8 pcs | nut | 73 22 116-01 |
| Kupplungsfeder | 3 pcs | clutch spring | 16 12 793-01 |

This kit fits the second series of 500 AE's and those bikes that have a clutch drum that is bolted to the gear wheel on the crankshaft. The kit will replace the earlier kit which also contained the gear wheel.

Please note this part No.

Kit 1st clutch 500 AE 16 19 858-03
Sats 1:ans koppling 500 AE

Dieser Kit paßt an die zweite Serie der 500 AE und an solchen Motorradern, welche eine Kupplungstrommel haben, die mit dem Getrieberad vernietet ist. Dieser Kit wird den früheren ersetzen, der ebenfalls das Getrieberad enthielt. Bitte beachten Sie diese Ersatzteil-Nr.: 16 19 858-03 Kit kpl.



Husqvarna

RESERVDELAR 400 WR 84

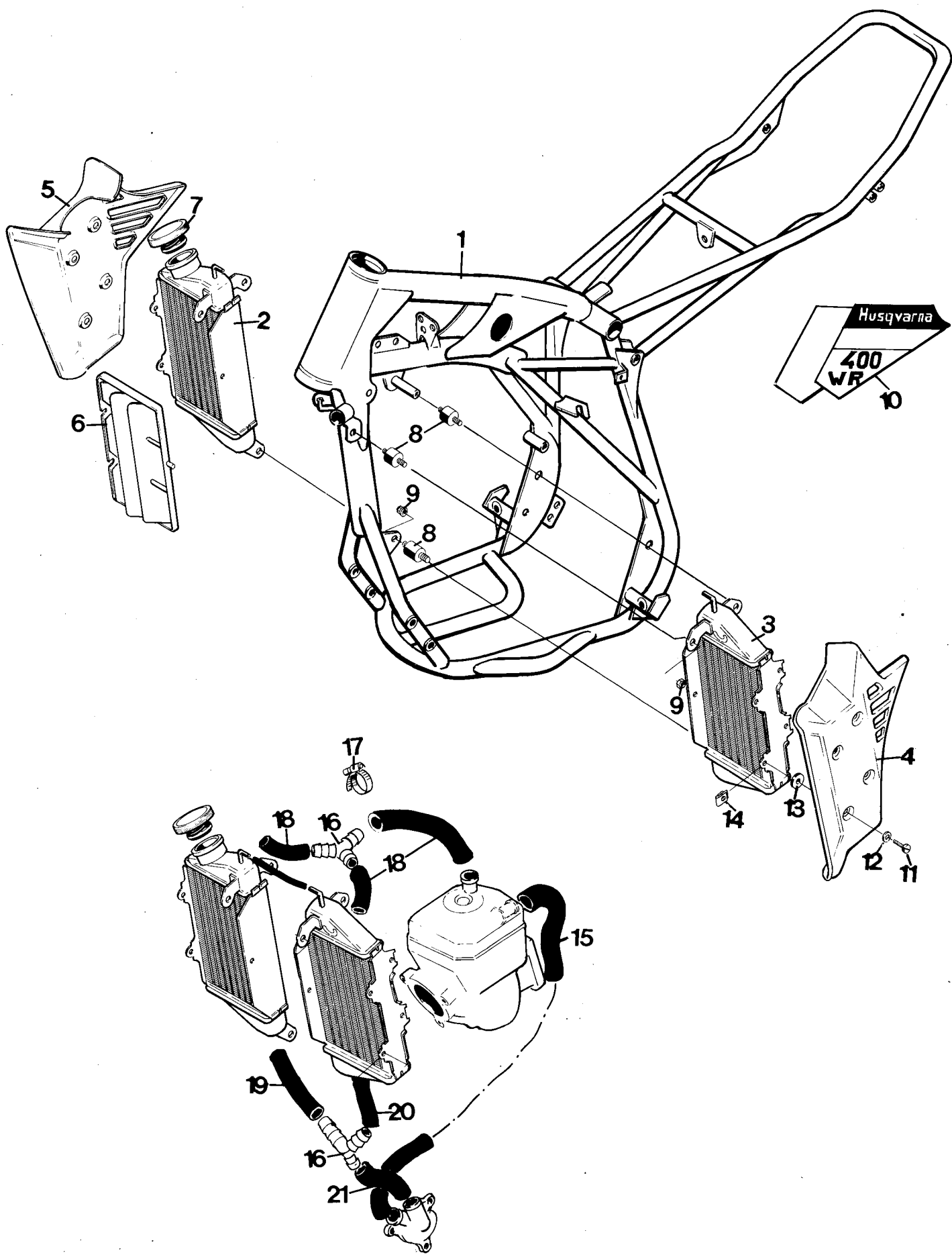
SPAREPARTS 400 WR 84

RESERVDELAR 400 WR 84

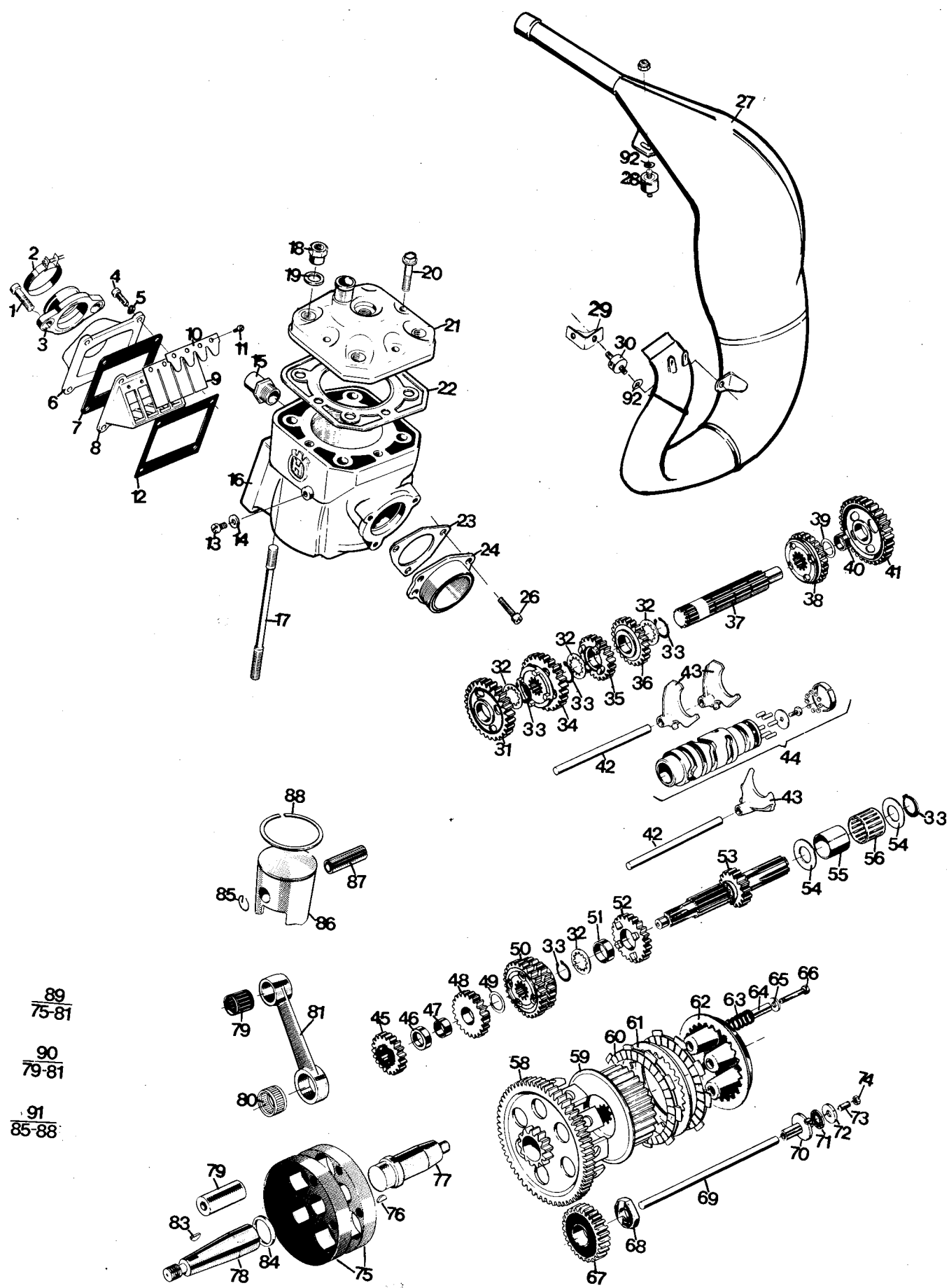
Följande delar är nya på 400 WR 84 i övrigt är 400 WR lika som en 500 WR när det gäller ram och dylikt. Vevhus är samma som 500 WR. Transmissionskåpa med vattenpump är samma som på 250 CR, magnet samma som 500 WR.

SPAREPARTS 400 WR 84

The following parts are new on 400 WR 84. Apart from these, a 400 WR is the same as a 500 WR when it comes to the chassie. Crank cases are the same as on a 500 WR. Transmissioncover with the pump are the same as on a 250 CR. Magneto is the same as on 500 WR.



| N | Fig. | Detaljnummer Part Number | Antal/Quantity | | | | | | | | | | | | | | Benämning Description | | |
|----|------|-----------------------------|----------------|----|----|-----|----|-----|----|----|-----|----|----|----|----|-----|--------------------------|----|---|
| | | | 125 | | | 240 | | 250 | | | 500 | | | | | 400 | | | |
| | | | CR | WR | XC | CR | WR | CR | WR | XC | WR | WR | CR | XC | AE | WR | | WR | |
| EU | US | | | | | | | | | | | | EU | US | | | | | |
| N | 1 | 15 11 150-03 | | | | | | | | | | | | | | | 1 | 1 | Ram Frame |
| N | 2 | 15 14 142-01 | | | | | | | | | | | | | | | 1 | 1 | Kylare, höger Radiator, right |
| N | 3 | 15 14 141-01 | | | | | | | | | | | | | | | 1 | 1 | Kylare, vänster Radiator, left |
| N | 4 | 15 14 146-01 | | | | | | | | | | | | | | | 1 | 1 | Spoiler, vänster Spoiler, left |
| N | 5 | 15 14 147-01 | | | | | | | | | | | | | | | 1 | 1 | Spoiler, höger Spoiler, right |
| N | 6 | 15 14 144-01 | | | | | | | | | | | | | | | 2 | 2 | Stänkskydd, Splash shield |
| | 7 | 15 14 126-01 | | | | | | | | | | | | | | | 1 | 1 | Kylarlock, Radiator cap |
| | 8 | 15 17 090-02 | | | | | | | | | | | | | | | 6 | 6 | Vibrationselement, Vibrationdamper |
| | 9 | 73 22 116-01 | | | | | | | | | | | | | | | 8 | 8 | Mutter m 6, nut |
| N | 10 | 15 19 782-13 | | | | | | | | | | | | | | | 1 | 1 | Dekal vänster, Dekal left |
| N | | 15 19 781-13 | | | | | | | | | | | | | | | 1 | 1 | Dekal höger, Dekal right |
| | 11 | 72 31 366-01 | | | | | | | | | | | | | | | 8 | 8 | Skruv m 6 x 12, screw |
| | 12 | 73 44 926-01 | | | | | | | | | | | | | | | 8 | 8 | Bricka, Washer |
| | 13 | 15 18 121-01 | | | | | | | | | | | | | | | 8 | 8 | Gummibricka, Rubberwasher |
| | 14 | 15 14 129-01 | | | | | | | | | | | | | | | 8 | 8 | Snabbmutter, nut |
| N | 15 | 16 17 965-01 | | | | | | | | | | | | | | | 1 | 1 | Slang, Hose |
| N | 16 | 15 14 149-01 | | | | | | | | | | | | | | | 2 | 2 | Förgrening, Y-branch |
| | 17 | 15 13 740-01 | | | | | | | | | | | | | | | 12 | 12 | Slangklämma, Hoseclamp |
| N | 18 | 15 14 148-01 | | | | | | | | | | | | | | | 3 | 3 | Slang, Hose |
| N | 19 | 15 14 124-01 | | | | | | | | | | | | | | | 1 | 1 | Slang, Hose |
| N | 20 | 15 14 148-02 | | | | | | | | | | | | | | | 1 | 1 | Slang, Hose |
| | 21 | 16 17 960-01 | | | | | | | | | | | | | | | 1 | 1 | Slang, Hose |
| N | | 16 13 794-01 | | | | | | | | | | | | | | | | 1 | Förgasare, Ø 38 mm, Mikuni Carburettor |
| N | | 16 13 796-01 | | | | | | | | | | | | | | | | 1 | Förgasare strypt, Carburettor restricted |

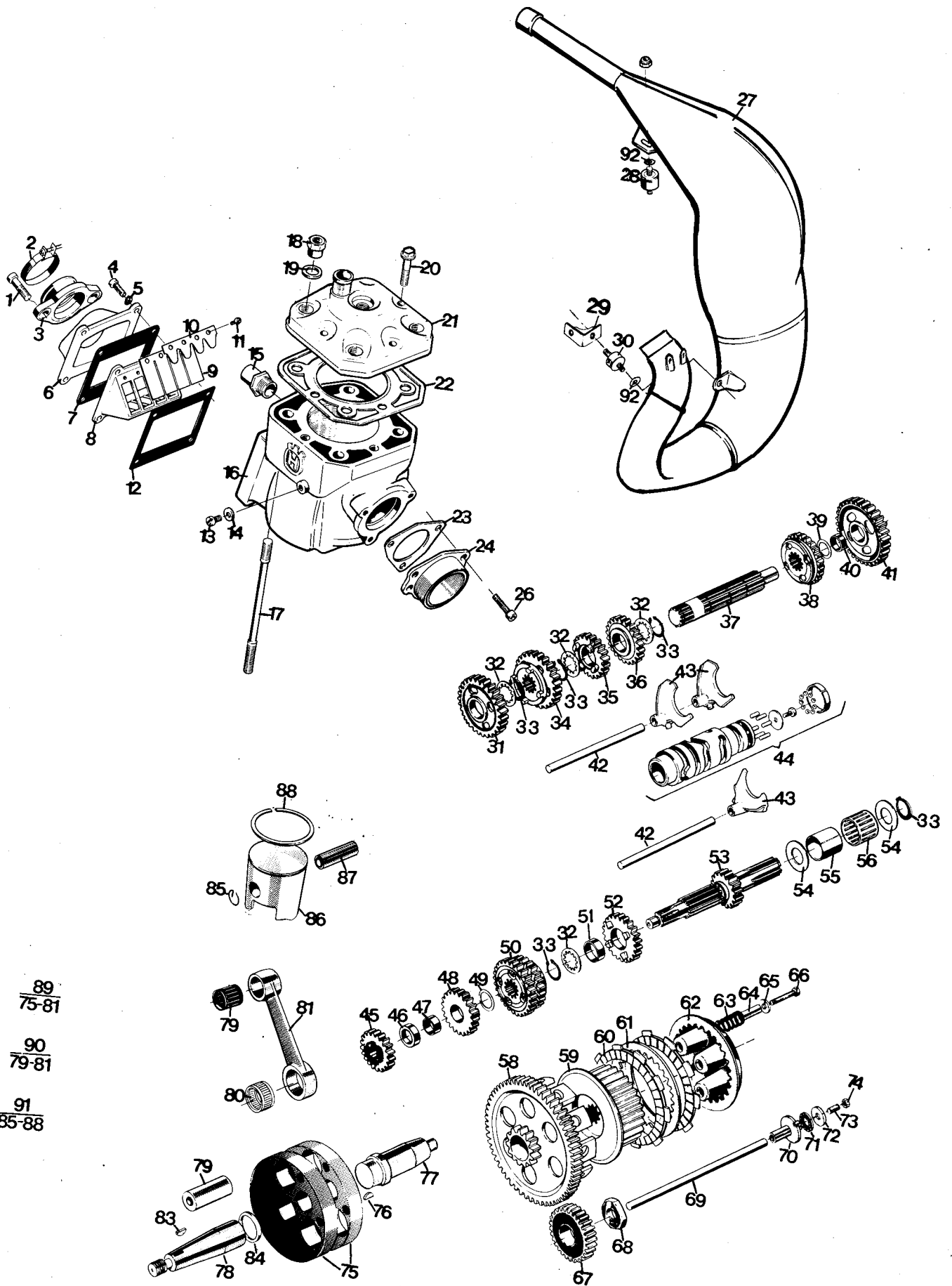


89
75-81

90
79-81

91
85-88

| N | Fig. | Detailnummer Part Number | Antal/Quantity | | | | | | | | | | | | | | | Benämning Description | |
|---|------|-----------------------------|----------------|----|----|-----|----|-----|----|----|----------|----------|----|----|----|----------|----------|--------------------------|---|
| | | | 125 | | | 240 | | 250 | | | 500 | | | | | 400 | | | |
| | | | CR | WR | XC | CR | WR | CR | WR | XC | WR EU | WR US | CR | XC | AE | WR EU | WR US | | |
| | 1 | 72 55 453-00 | | | | | | | | | | | | | | | 2 | 2 | Skruv M8 x 25, Screw |
| | 2 | 16 13 535-01 | | | | | | | | | | | | | | | 1 | 1 | Klamma, Clamp |
| | 3 | 16 13 533-01 | | | | | | | | | | | | | | | 1 | 1 | Anslutning, Connection |
| | 4 | 72 55 372-01 | | | | | | | | | | | | | | | 4 | 4 | Skruv M6 x 25, Screw |
| | 5 | 73 51 153-50 | | | | | | | | | | | | | | | 4 | 4 | Bricka, Washer |
| | 6 | 16 11 858-01 | | | | | | | | | | | | | | | 1 | 1 | Anslutning, Inlet manifold |
| | 7 | 16 11 862-01 | | | | | | | | | | | | | | | 1 | 1 | Packning, Gasket |
| | 8 | 16 11 856-01 | | | | | | | | | | | | | | | 1 | 1 | Ventilhållare, Valveholder |
| | 9 | 16 11 864-01 | | | | | | | | | | | | | | | 2 | 2 | Ventil, Valve |
| | 10 | 16 11 866-01 | | | | | | | | | | | | | | | 2 | 2 | Ventilstöd, Valve support |
| | 11 | 72 32 285-31 | | | | | | | | | | | | | | | 8 | 8 | Skruv M4 x 6, Screw |
| | 12 | 16 11 861-01 | | | | | | | | | | | | | | | 1 | 1 | Packning, Gasket |
| | 13 | 72 52 364-53 | | | | | | | | | | | | | | | 1 | 1 | Skruv M6 x 10, Screw |
| | 14 | 73 41 153-05 | | | | | | | | | | | | | | | 1 | 1 | Bricka, Washer |
| | 15 | 16 14 506-01 | | | | | | | | | | | | | | | 1 | 1 | Anslutningsdon, Connection |
| N | 16 | 16 14 573-01 | | | | | | | | | | | | | | | 1 | 1 | Cylinder |
| | 17 | 16 11 710-01 | | | | | | | | | | | | | | | 4 | 4 | Dragbult, Cylinderstud |
| N | 18 | 16 11 077-01 | | | | | | | | | | | | | | | 4 | 4 | Halsmutter, Nut |
| | 19 | 16 14 583-01 | | | | | | | | | | | | | | | 4 | 4 | Bricka, Washer |
| | 20 | 72 52 459-51 | | | | | | | | | | | | | | | 4 | 4 | Skruv M8 x 40, Screw |
| N | 21 | 16 14 576-01 | | | | | | | | | | | | | | | 1 | 1 | Cylinderlock, Cylinderhead |
| N | 22 | 16 14 577-01 | | | | | | | | | | | | | | | 1 | 1 | Packning, Gasket |
| N | 23 | 16 14 570-01 | | | | | | | | | | | | | | | 1 | 1 | Packning, Gasket |
| N | 24 | 16 14 567-01 | | | | | | | | | | | | | | | | 1 | Avgasstos, Exhaust manifold |
| N | | 16 14 571-01 | | | | | | | | | | | | | | | 1 | | Avgasstos, strypt Exhaust manifold, restricted |
| | 26 | 72 55 370-01 | | | | | | | | | | | | | | | 3 | 3 | Skruv M6 x 20, Screw |
| N | 27 | 15 13 322-01 | | | | | | | | | | | | | | | 1 | 1 | Avgasrör, Exhaustpipe |
| | 28 | 15 14 590-01 | | | | | | | | | | | | | | | 1 | 1 | Vibrationsdämpare, Damper |
| | 29 | 15 13 319-01 | | | | | | | | | | | | | | | 2 | 2 | Länk, Link |



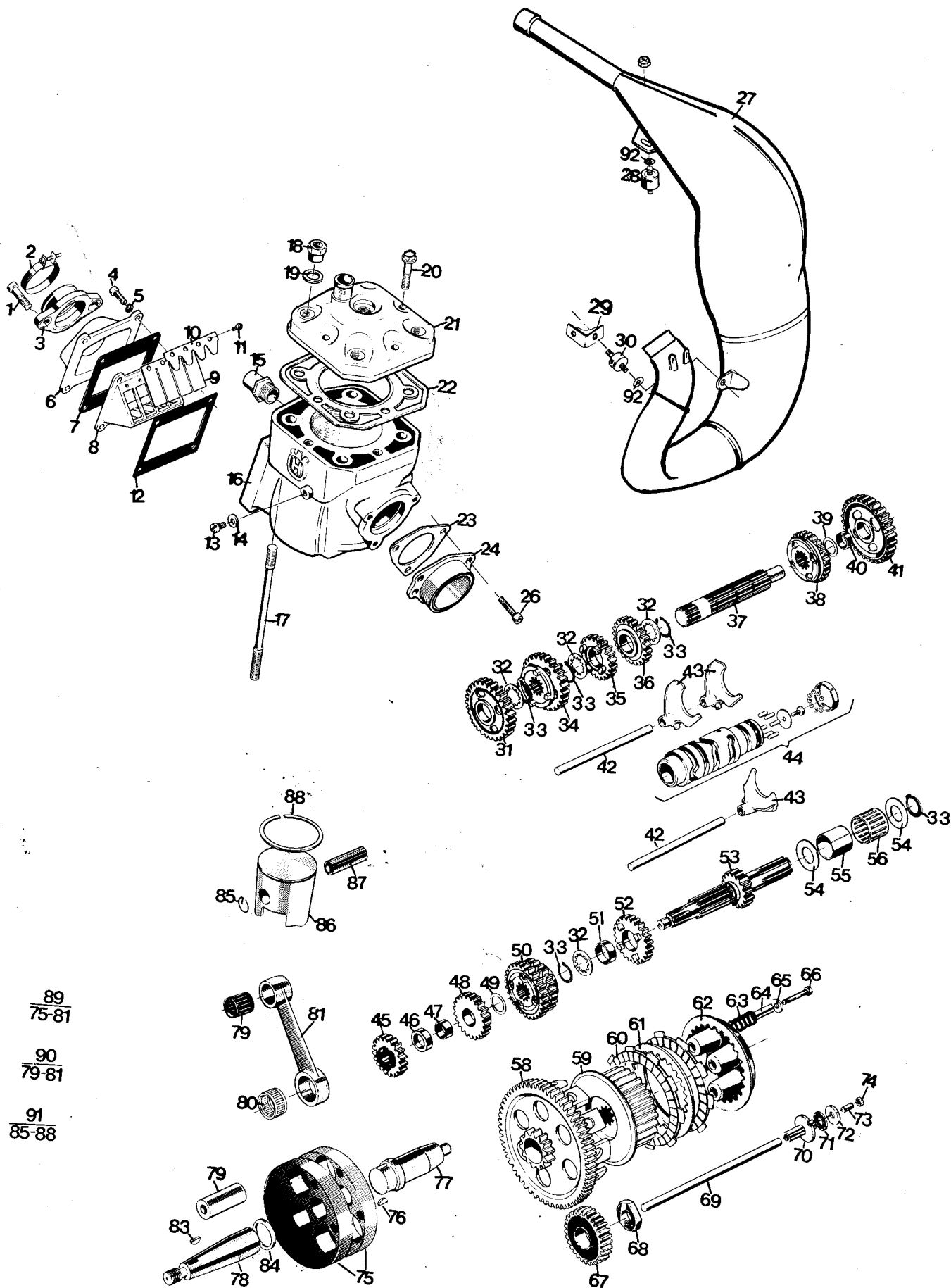
89
75-81

90
79-81

91
85-88

| N | Fig. | Detaljnummer Part Number | Antal/Quantity | | | | | | | | | | | | | | Benämning Description | | |
|---|------|-----------------------------|----------------|----|----|-----|----|-----|----|----|----------|----------|----|----|-----|----------|--------------------------|---|---|
| | | | 125 | | | 240 | | 250 | | | 500 | | | | 400 | | | | |
| | | | CR | WR | XC | CR | WR | CR | WR | XC | WR EU | WR US | CR | XC | AE | WR EU | WR US | | |
| | 30 | 15 13 318-01 | | | | | | | | | | | | | | | 2 | 2 | Vibrationsdämpare, Damper |
| | 31 | 16 12 365-01 | | | | | | | | | | | | | | | 1 | 1 | Kuggghjul 2:an hjälpxaxel, Gear wheel |
| | 32 | 16 11 717-01 | | | | | | | | | | | | | | | 4 | 4 | Stödbricka, Washer |
| | 33 | 73 53 126-01 | | | | | | | | | | | | | | | 5 | 5 | Spärring, Circlip |
| | 34 | 16 12 386-01 | | | | | | | | | | | | | | | 1 | 1 | Kuggghjul 3:an hjälpxaxel, Gear wheel |
| | 35 | 16 12 357-01 | | | | | | | | | | | | | | | 1 | 1 | Kuggghjul 6:an hjälpxaxel, Gear wheel |
| | 36 | 16 11 715-01 | | | | | | | | | | | | | | | 1 | 1 | Kuggghjul 5:an hjälpxaxel, Gear wheel |
| | 37 | 16 12 350-01 | | | | | | | | | | | | | | | 1 | 1 | Hjälpxaxel, Sprocket shaft |
| | 38 | 16 12 388-01 | | | | | | | | | | | | | | | 1 | 1 | Kuggghjul 4:an hjälpxaxel, Gear wheel |
| | 39 | 15 13 714-01 | | | | | | | | | | | | | | | 1 | 1 | Stödbricka, Washer |
| | 40 | 16 12 415-01 | | | | | | | | | | | | | | | 1 | 1 | Lagerhylsa, 1:an hjälpxaxel, Sleeve |
| | 41 | 16 12 361-01 | | | | | | | | | | | | | | | 1 | 1 | Kuggghjul 1:an hjälpxaxel, Gear wheel |
| | 42 | 16 11 699-01 | | | | | | | | | | | | | | | 2 | 2 | Axel, Shaft |
| | 43 | 16 12 384-01 | | | | | | | | | | | | | | | 3 | 3 | Växelförare, Gear striker |
| | 44 | 16 11 701-01 | | | | | | | | | | | | | | | 1 | 1 | Kulissrulle KPL, Link roller Compl. |
| | 45 | 16 12 362-01 | | | | | | | | | | | | | | | 1 | 1 | Kuggghjul 2:an huvudaxel, Gear wheel |
| | 46 | 16 12 481-01 | | | | | | | | | | | | | | | 1 | 1 | Distansring huvudaxel, Spacer clutch shaft |
| | 47 | 16 12 480-01 | | | | | | | | | | | | | | | 1 | 1 | Lagerhylsa 3:an huvudaxel, Sleeve |
| | 48 | 16 12 363-01 | | | | | | | | | | | | | | | 1 | 1 | Kuggghjul 3:an huvudaxel, Gear wheel |
| | 49 | 16 12 842-01 | | | | | | | | | | | | | | | 1 | 1 | Stödbricka, Washer |
| | 50 | 16 12 390-01 | | | | | | | | | | | | | | | 1 | 1 | Kuggghjul 5:an-6:an huvudaxel Gear wheel |
| | 51 | 16 12 418-01 | | | | | | | | | | | | | | | 1 | 1 | Lagerhylsa 4:an huvudaxel, Sleeve |
| | 52 | 16 11 837-01 | | | | | | | | | | | | | | | 1 | 1 | Kuggghjul 4:an huvudaxel, Gear wheel |
| | 53 | 16 12 360-01 | | | | | | | | | | | | | | | 1 | 1 | Huvudaxel, Clutch shaft |
| | 54 | 16 11 155-01 | | | | | | | | | | | | | | | 2 | 2 | Bricka, Washer |
| | 55 | 16 11 670-01 | | | | | | | | | | | | | | | 1 | 1 | Innerring, Internal ring |
| | 56 | 16 11 671-01 | | | | | | | | | | | | | | | 1 | 1 | Nålållare, Needle ring |
| N | 58 | 16 11 076-01 | | | | | | | | | | | | | | | 1 | 1 | Kopplingskrans, Gear wheel clutch |

192



89
75-81

90
79-81

91
85-88

| N | Fig. | Detaljnummer Part Number | Antal/Quantity | | | | | | | | | | | | | | Benämning Description | |
|---|------|-----------------------------------|----------------|----|----|-----|----|-----|----|----|----------|----------|----|----|----|----------|--------------------------|---|
| | | | 125 | | | 240 | | 250 | | | 500 | | | | | 400 | | |
| | | | CR | WR | XC | CR | WR | CR | WR | XC | WR EU | WR US | CR | XC | AE | WR EU | | WR US |
| | 59 | 16 15 088-01 | | | | | | | | | | | | | | 1 | 1 | Kopplingscentrum, Clutch hub |
| | 60 | 16 15 106-01 | | | | | | | | | | | | | | 8 | 8 | Lamell, Disc |
| | 61 | 16 15 107-01 | | | | | | | | | | | | | | 7 | 7 | Lamell, Disc |
| | 62 | 16 11 168-01 | | | | | | | | | | | | | | 1 | 1 | Tryckskiva, Pressure plate |
| | 63 | 16 11 177-02 | | | | | | | | | | | | | | 5 | 5 | Kopplingsfjäder, Clutch spring |
| | 64 | 16 11 169-01 | | | | | | | | | | | | | | 5 | 5 | Distanshylsa, Distance sleeve |
| | 65 | 73 44 926-01 | | | | | | | | | | | | | | 5 | 5 | Bricka, Washer |
| | 66 | 72 52 378-71 | | | | | | | | | | | | | | 5 | 5 | Skruv M6 x 40, Screw |
| N | 67 | 16 11 075-01 | | | | | | | | | | | | | | 1 | 1 | Drivhjul, Driving gear |
| | 68 | 16 11 101-01 | | | | | | | | | | | | | | 1 | 1 | Mutter, Nut |
| | 69 | 16 11 673-01 | | | | | | | | | | | | | | 1 | 1 | Tryckstång, Push rod |
| | 70 | 16 11 170-01 | | | | | | | | | | | | | | 1 | 1 | Axeldel, Shaft |
| | 71 | 16 11 166-01 | | | | | | | | | | | | | | 1 | 1 | Axiallager, Axialbearing |
| | 72 | 16 11 167-01 | | | | | | | | | | | | | | 1 | 1 | Axialbricka, Axialwasher |
| | 73 | 72 85 370-00 | | | | | | | | | | | | | | 1 | 1 | Skruv, Screw |
| | 74 | 15 13 703-01 | | | | | | | | | | | | | | 1 | 1 | Mutter, Screw |
| | 76 | 73 58 016-00 | | | | | | | | | | | | | | 2 | 2 | Kil 3 x 16, Key |
| | 77 | 16 14 539-01 | | | | | | | | | | | | | | 1 | 1 | Vevaxel vänster, Crank shaft left |
| | 78 | 16 11 659-01 | | | | | | | | | | | | | | 1 | 1 | Vevaxel höger, Crank shaft right |
| | 79 | 16 11 838-01 | | | | | | | | | | | | | | 1 | 1 | Nållager, Needle bearing |
| | 83 | 15 13 713-01 | | | | | | | | | | | | | | 1 | 1 | Kil, Key |
| | 84 | 16 10 921-01 | | | | | | | | | | | | | | 1 | 1 | Distans, Spacer |
| | 85 | 73 74 218 | | | | | | | | | | | | | | 2 | 2 | Låsring, Circlip |
| N | 88 | 16 14 592-01 | | | | | | | | | | | | | | 1 | 1 | Kolvring (cyl Ø82,50), Pistonring |
| N | | 16 14 592-02 | | | | | | | | | | | | | | | | Kolvring (cyl Ø83,00), Pistonring |
| N | | 16 14 592-03 | | | | | | | | | | | | | | | | Kolvring (cyl Ø83,50), Pistonring |
| N | 89 | <i>1614454-02</i> 16 14 579-01 | | | | | | | | | | | | | | 1 | 1 | Vevparti kpl, Crank shaft compl. |
| | 90 | 16 19 825-01 | | | | | | | | | | | | | | 1 | 1 | Renov. satsvevstake, Overhaulkit conn. rod |
| N | 91 | <i>1614455-01</i> 16 14 578-01 | | | | | | | | | | | | | | 1 | 1 | Kolv kpl (cyl Ø82,50), Piston compl. |
| N | | <i>1614455-02</i> 16 14 578-02 | | | | | | | | | | | | | | | | Kolv kpl (cyl Ø83,00), Piston compl. |
| N | | <i>1614455-03</i> 16 14 578-03 | | | | | | | | | | | | | | 1 | 1 | Kolv kpl (cyl Ø83,50), Piston compl. |
| N | 92 | 73 52 164-00 | | | | | | | | | | | | | | 3 | 3 | Bricka Washer |



Husqvarna

**RESERVDLSKATALOG
SPAREPARTS MANUAL**

**4- TAKT
STROKE**

1984

Notizen

über telefonisches/persönliches Gespräch mit

| | |
|---------|------------|
| Datum | 24. 10. 91 |
| Uhrzeit | |
| Ruf-Nr. | |

Herrn
Frau
Fräulein
Firma

Luftgekühlt

83/84/85/86

16 19 846 01

Dichtsatz 510/84 Luft

- 1 x Lu 16 15 722 01 O-Ring - ^{Zylinder} ~~Verfahren~~
- 1 x Lu 16 15 057 01 ^{Luft}
- 2 x Lu 74 04 818 12 O-Ring Öl f. K.
- 2 x Lu 16 15 036 01 Ventildeckel dichtung
- 1 x Lu ca 2000 59 962 hochdruck dichtung
- 1 x Lu 16 15 074 02 Mittel dichtung
- 1 x Lu 16 17 650 02 Kuppeldeckel dichtung
- 1 x Lu 16 15 275 01 Zündungs dichtung

Produkt 157 - 2881 Hahn
Hahn Druck

Gespräch angen./geführt

bearbeitet

gesehen

Detta supplemēt innehåller de detaljer som skiljer 84:a års 4-takts modellerna från motsvarande modeller av 1983.
För andra detaljer, se reservdelskatalog 1983.

This supplement contains the parts that differs on the 84:s 4-stroke models compared to the same model of 1983.
For other details, see Spare Part Manual 1983.

DIMENSIONER OCH BETECKNINGAR

DIMENSIONS AND DISCRIPTIONS

Skrudar: Gängdimension x längd (M6 x 30)

Screws: Thread dimensions x length

Muttrar: Gängdimension (M8)

Nuts: Thread dimension

Brickor: Typ, inre \varnothing x yttre \varnothing x tjocklek
(FBB 6,4x10x1)

Washer: Type, inner \varnothing x exterior x \varnothing thickness

Typer: FBB = Fjäderbricka, öppen

Types: FBB = Spring washer open

FA = Fjäderbricka

FA = Spring washer

LI = Låsbricka, innertandad

LI = Lock washer, inside indent

Kullager: Fabrikantens beteckning (SKF 6301)

Ball bearings: Manufactures description

Tätningär: Inre \varnothing x yttre \varnothing x tjocklek (25x42x7)

Sealing rings: Inner \varnothing x exterior \varnothing thickness

L = Längd

L = Length

z = Antal kuggar

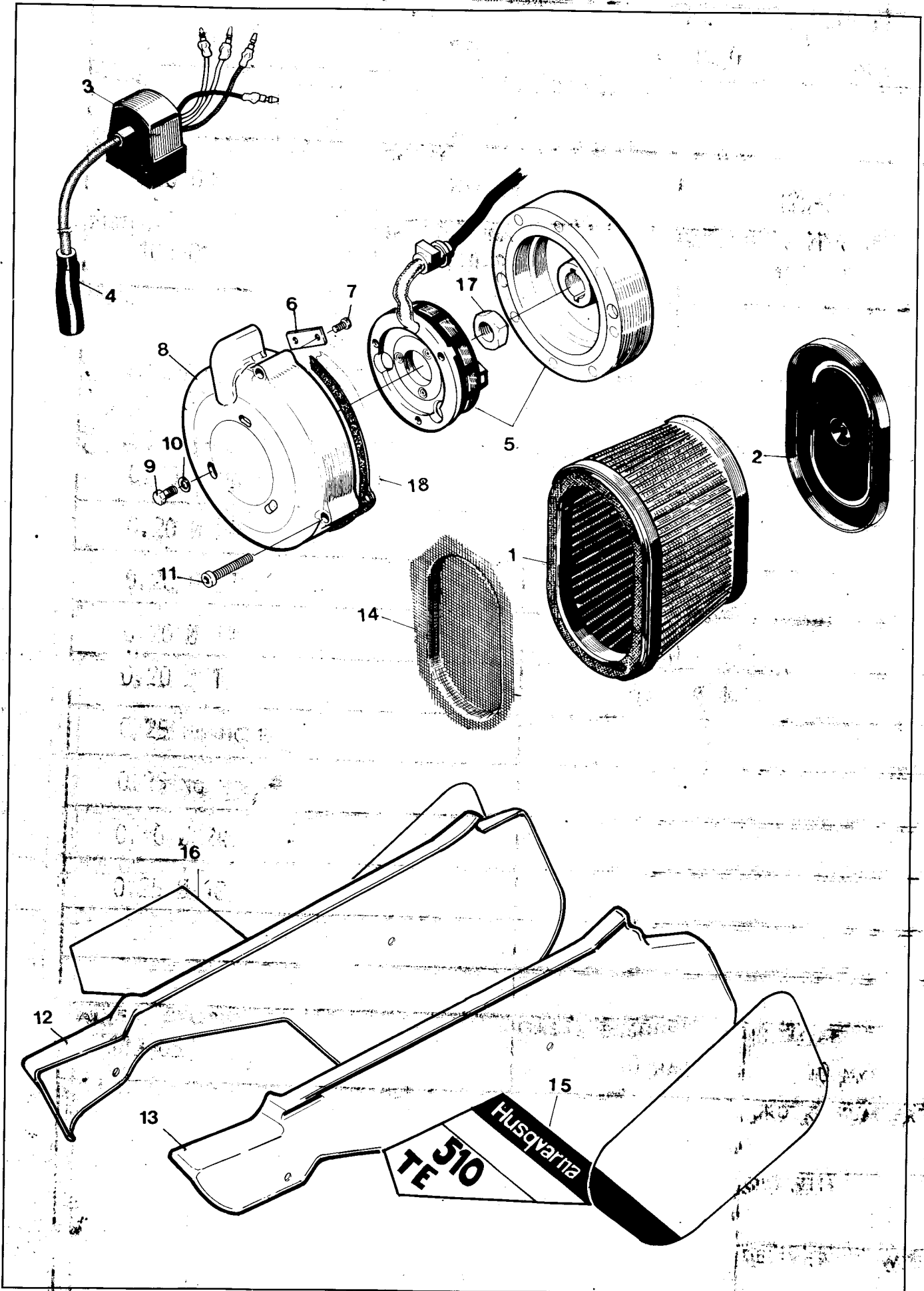
z = Numbers of cogs

N = Ny reservdel

N = New spare part

Rätt till ändringar förbehålles

Specifications subject to change without notice.

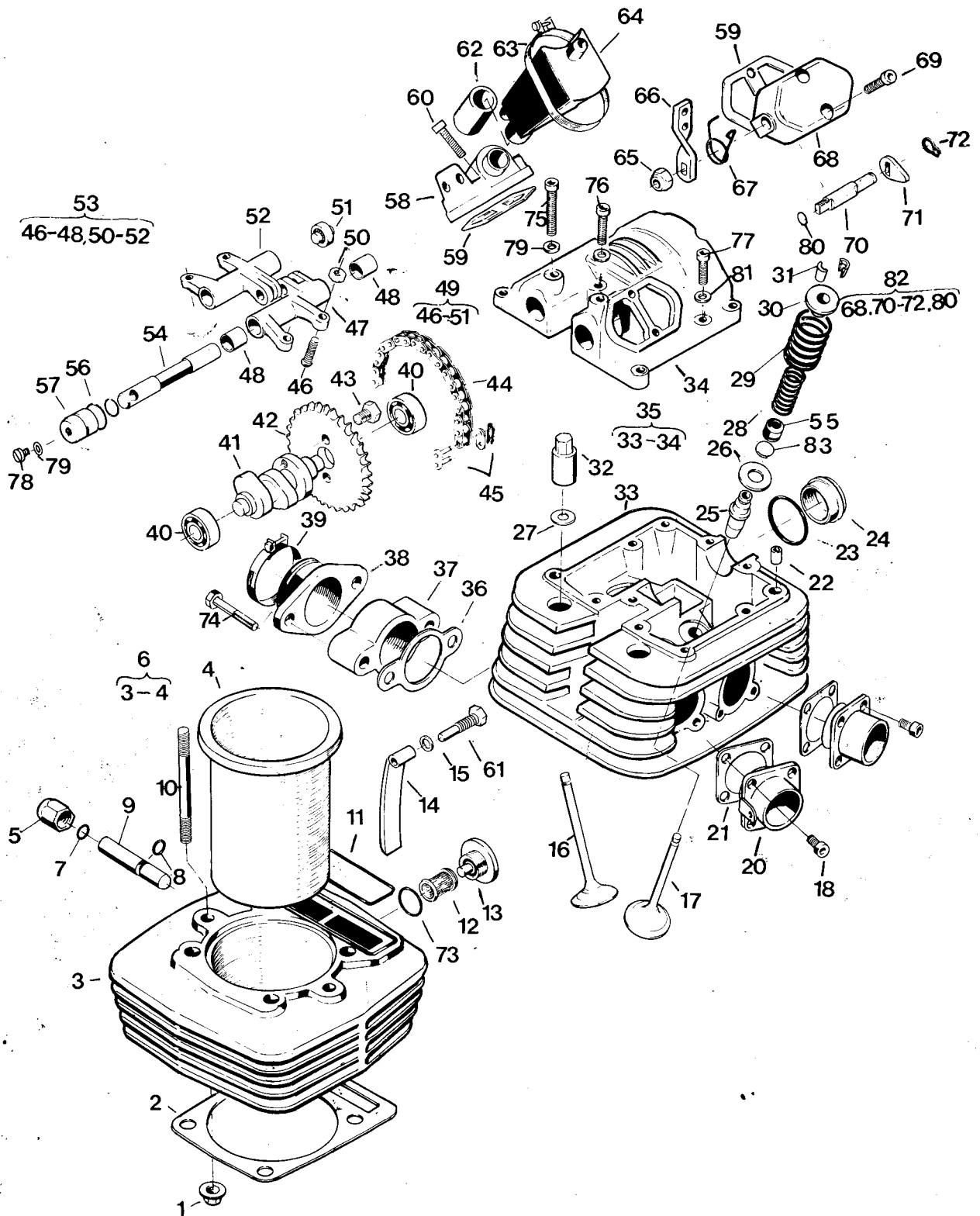


✓ N
 ✓ N
 ✓
 ✓ N
 ✓ N
 ✓
 ✓ N
 N
 ✓ N
 ✓ N
 ✓ N
 ✓ N
 ✓ N
 ✓ N
 ✓ N
 ✓ N

| Fig. | Reservdelsnr Part Number | Antal/Quantity | | | | Benämning/Description |
|------|---|----------------|-----|-------|-------|---------------------------------------|
| | | 500 | 510 | 510 | 510 | |
| | | TC | TX | TE,EU | TE,US | |
| 1 | 15 15 032-01 | 1 | 1 | 1 | 1 | Lufffilter Airfilter |
| 2 | 15 15 033-01 | 1 | 1 | 1 | 1 | Lock lufffilter Cover airfilter X |
| 3 | 16 15 109-01 | 1 | 1 | 1 | 1 | Tändspole KPL Ignition coil compl. |
| 4 | 16 15 111-01 | 1 | 1 | 1 | 1 | Tändhatt Sparkplug cap |
| 5 | 16 15 281-01 | 1 | 1 | 1 | 1 | Magnet KPL Magneto compl. |
| 6 | 16 15 276-01 | 1 | 1 | 1 | 1 | Låsplåt Plate |
| 7 | 723 22 85-01 | 1 | 1 | 1 | 1 | Skruv M 4x6 Screw |
| 8 | 16 15 277-01 | 1 | 1 | 1 | 1 | Magnetkåpa Ignition cover |
| 9 | 725 53 67-01 | 3 | 3 | 3 | 3 | Skruv M 6x14 Screw |
| 10 | 734 49 26-01 | 3 | 3 | 3 | 3 | Bricka Washer |
| 11 | 725 93 79-01 | 3 | 3 | 3 | 3 | Skruv M 6x45 Screw |
| 12 | 15 17 492-01 15 17 777-01 | 1 | 1 | 1 | 1 | Sidopanel H Sidepanel right |
| 13 | 15 17 503-01 15 17 738-01 | 1 | 1 | 1 | 1 | Sidopanel V Sidepanel left |
| 14 | 15 14 167-01 | 1 | 1 | 1 | 1 | Flamskydd Flame protection net |
| 15 | 15 19 782-14 | 1 | | | | Dekal V Decal L |
| | 15 19 782-16 | | 1 | | | Dekal V Decal L |
| | 15 19 782-15 | | | 1 | 1 | Dekal V Decal L |
| 16 | 15 19 781-14 | 1 | | | | Dekal H Decal R |
| | 15 19 781-16 | | 1 | | | Dekal H Decal R |
| | 15 19 781-15 | | | 1 | 1 | Dekal H Decal R |
| 17 | 16 15 284-01 | 1 | 1 | 1 | 1 | Mutter Nut |
| 18 | 16 15 275-01 | 1 | 1 | 1 | 1 | Packning Gasket |

DBEA } Kerze 44 AC
 DBEV }

Cylinder topplock Cylinder cylinderhead

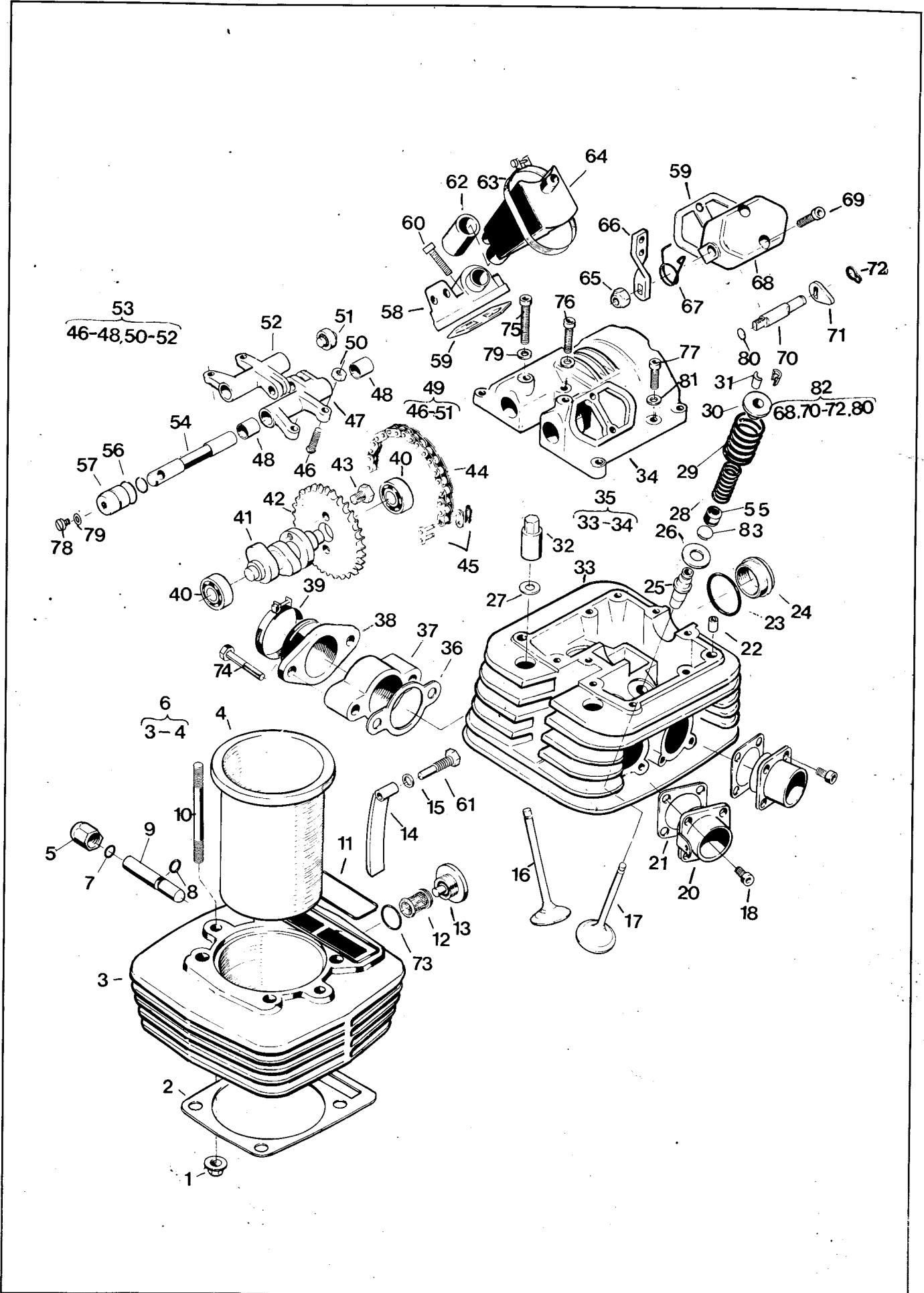


| Fig. | Reservdelsnr Part Number | Antal/Quantity | | | | Benämning/Description |
|------|-----------------------------|----------------|-----|-------|-------|--|
| | | 500 | 510 | 510 | 510 | |
| | | TC | TX | TE,EU | TE,US | |
| 1 | 15 13 707-01 | 2 | 2 | 2 | 2 | Mutter M 8, Nut |
| 2 | 16 15 057-01 | 1 | 1 | 1 | 1 | Cylinderfotspackning Base gasket |
| 4 | 16 15 054-01 | 1 | 1 | 1 | 1 | Foder Liner |
| 5 | 16 15 262-01 | 1 | 1 | 1 | 1 | Mutter Nut |
| 6 | 16 15 052-01 | 1 | | | | Cylinder |
| 6 | 16 15 052-02 | | 1 | 1 | 1 | Cylinder |
| 7 | 16 15 263-01 | 1 | 1 | 1 | 1 | Spännring Lockring |
| 8 | 74 04 203-10 | 1 | 1 | 1 | 1 | O-ring |
| 9 | 16 15 264-01 | 1 | 1 | 1 | 1 | Plunge |
| 10 | 16 15 051-01 | 2 | 2 | 2 | 2 | Dragbult Stud |
| 11 | 16 15122-01 | 1 | 1 | 1 | 1 | Packning Gasket |
| 12 | 16 15 101-01 | 1 | 1 | 1 | 1 | Oljefilter Oil filter |
| 13 | 16 15 113-01 | 1 | 1 | 1 | 1 | Filterplugg Filter plug |
| 14 | 16 15 055-01 | 1 | 1 | 1 | 1 | Släpa Cam chain tensioner |
| 15 | 16 15 140-01 | 1 | 1 | 1 | 1 | Bricka Washer |
| 16 | 16 15 021-01 | 2 | 2 | 2 | 2 | Ventil insug Ø 33 mm Valve intake Ø 33 mm |
| | 16 15 267-01 | 2 | 2 | 2 | 2 | Ventil insug Ø 35 mm Valve intake Ø 35 mm |
| 17 | 16 15 022-01 | 2 | 2 | 2 | 2 | Ventil avgas Valve exhaust |
| 18 | 725 53 68-01 | 6 | 6 | 6 | 6 | Skruv M6x16 Screw |
| 18 | 725 53 66-06 | 2 | 2 | 2 | 2 | Skruv M6x12 Screw |
| 20 | 16 15 027-01 | 2 | 2 | 2 | 2 | Stos Exhaust manifold |
| 21 | 16 15 030-01 | 2 | 2 | 2 | 2 | Packning Gasket |
| 22 | 16 11 708-01 | 2 | 2 | 2 | 2 | Styrstift Peg |
| 23 | 74 04 221-10 | 1 | 1 | 1 | 1 | O-ring |
| 24 | 16 15 037-01 | 1 | 1 | 1 | 1 | Plugg Plug |
| 25 | 16 15 018-01 | 2 | 2 | 2 | 2 | Ventilstyrning insug Valve guide intake |
| 25 | 16 15 242-01 | 2 | 2 | 2 | 2 | Ventilstyrning avgas Valve guide exhaust |
| 26 | 16 12 524-01 | 4 | 4 | 4 | 4 | Bricka Washer |
| 27 | 734 11 65-03 | 4 | 4 | 4 | 4 | Bricka Washer |
| 28 | 16 15 026-01 | 4 | 4 | 4 | 4 | Ventilfjäder Valve spring |
| 29 | 16 15 025-01 | 4 | 4 | 4 | 4 | Ventilfjäder Valve spring |
| 30 | 16 15 024-01 | 4 | 4 | 4 | 4 | Knasterbricka Retainer |
| 31 | 16 15 023-01 | 8 | 8 | 8 | 8 | Ventilknaster Valve cotters |
| 32 | 16 15.050-01 | 4 | 4 | 4 | 4 | Mutter Nut |
| 35 | 16 19 841-01 | 1 | 1 | 1 | 1 | Topplöck - Vipparmskåpa Cylinder head - Cover |
| 36 | 16 15 032-01 | 1 | 1 | 1 | 1 | Packning Gasket |
| 37 | 16 15 031-03 | 1 | 1 | 1 | 1 | Insugningsrör Intake manifold |
| 38 | 16 15 238-01 | 1 | 1 | 1 | 1 | Anslutning Connection |
| 39 | 16 15 206-01 | 1 | 1 | 1 | 1 | Klamma Clamp |
| 40 | 73 82 201-25 | 2 | 2 | 2 | 2 | Kullager Bearing |
| 41 | 16 15 038-01 | 1 | 1 | 1 | 1 | Kamaxel Cam shaft |

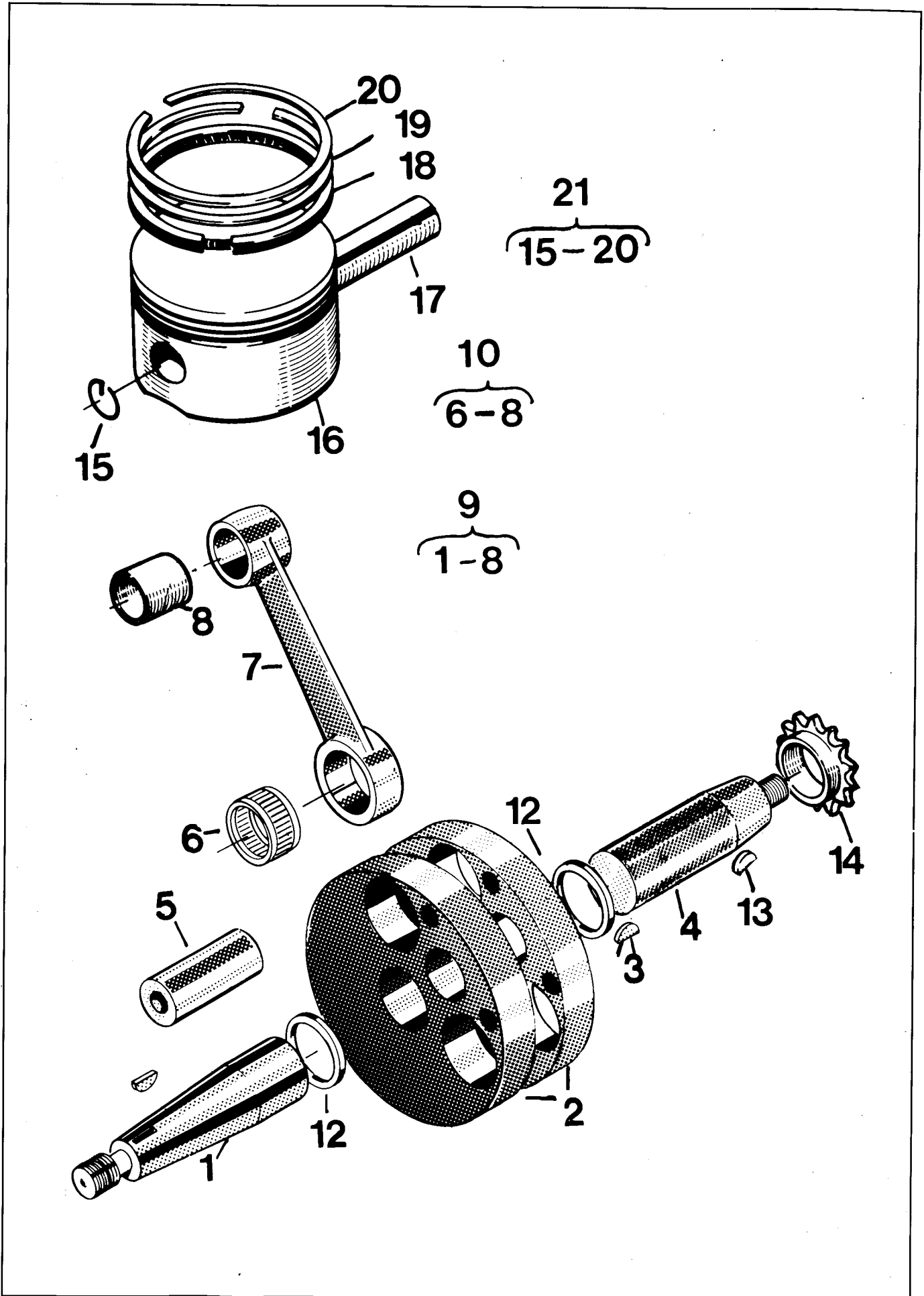
} siehe neue Führung 16 15 294-01
+ Neu ffdichtung
16 15 303-01

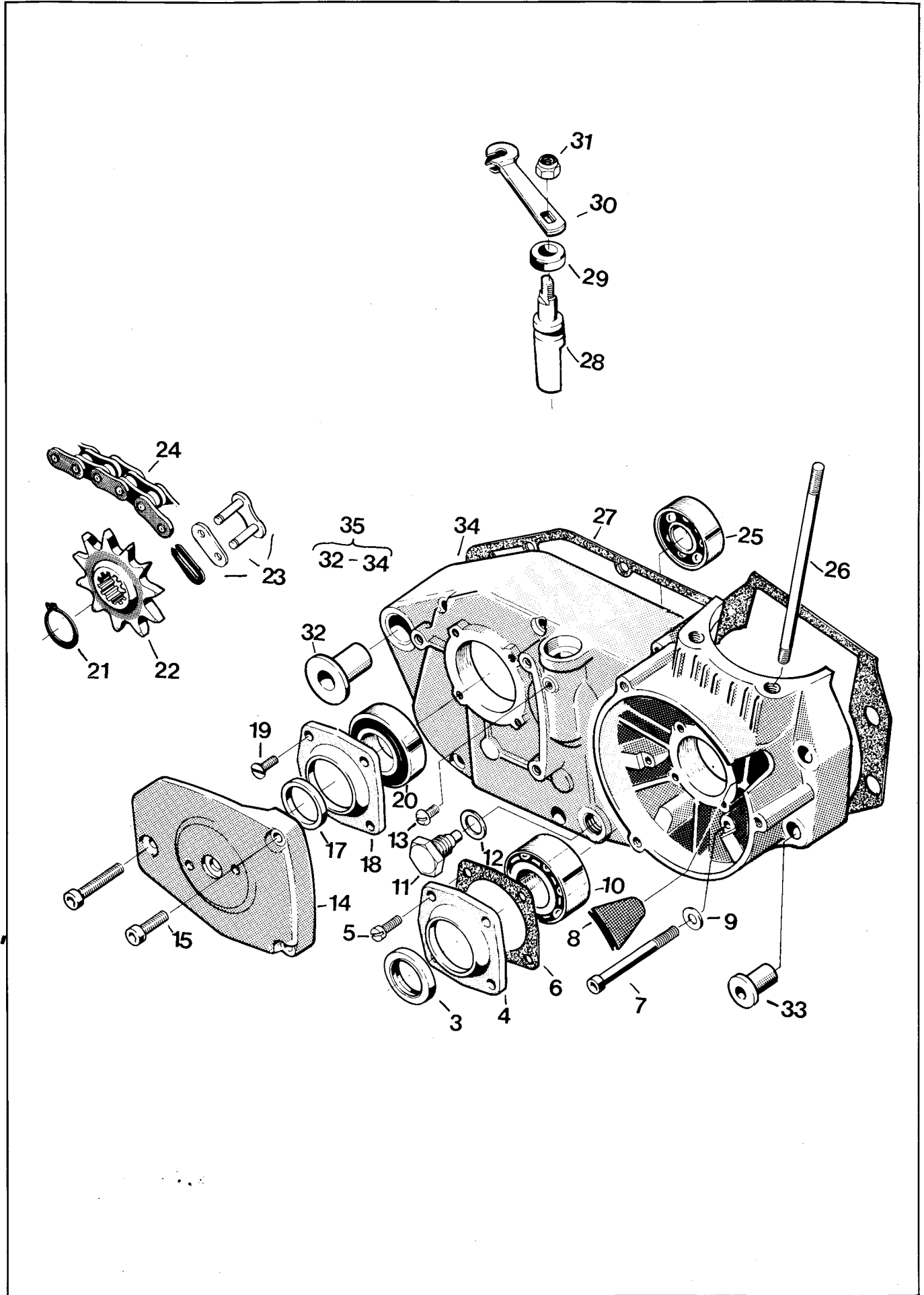
✓ N
✓ N
✓ N
N
N
N
N

Cylinder toplock
Cylinder cylinderhead



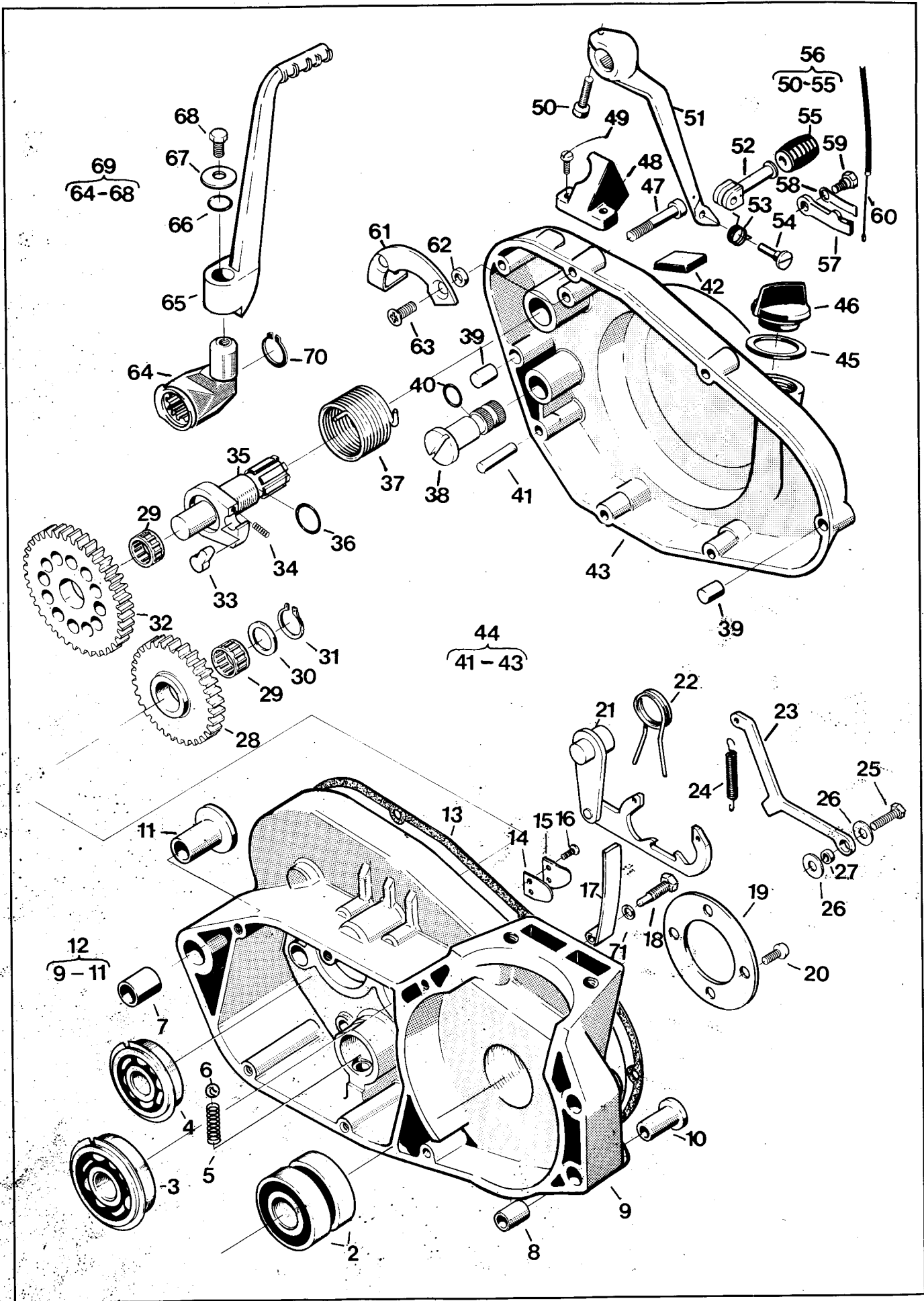
| Fig. | Reservdelsnr Part Number | Antal/Quantity | | | | Benämning/Description |
|------|-----------------------------|----------------|-----|-------|-------|--|
| | | 500 | 510 | 510 | 510 | |
| | | TC | TX | TE,EU | TE,US | |
| 42 | 16 15 039-01 | 1 | 1 | 1 | 1 | Kamkedjedrev Cam chain sprocket |
| 43 | 16 15 266-01 | 2 | 2 | 2 | 2 | Skruv M8x12 Screw |
| 44 | 16 15 099-01 | 1 | 1 | 1 | 1 | Kamkedja Cam chain |
| 45 | 16 15 100-01 | 1 | 1 | 1 | 1 | Kedjelås Master link |
| 46 | 16 15 049-01 | 4 | 4 | 4 | 4 | Justerskruv Adjusting screw |
| 48 | 16 15 043-01 | 4 | 4 | 4 | 4 | Bussning Bushing |
| 49 | 16 19 853-01 | 1 | 1 | 1 | 1 | Vipparm avgas Rocker arm exhaust |
| 50 | 16 15 156-01 | 1 | 1 | 1 | 1 | Mutter Nut |
| 51 | 16 15 045-01 | 2 | 2 | 2 | 2 | Rullyftare Roller bearing |
| 53 | 16 19 854-01 | 1 | 1 | 1 | 1 | Vipparm insug Rocker arm intake |
| 54 | 16 15 042-01 | 2 | 2 | 2 | 2 | Vipparmsaxel Rocker arm shaft |
| 55 | 16 15 125-01 | 4 | 4 | 4 | 4 | Tätning, ventilstyrning Seal, valve guide |
| 56 | 74 04 215-10 | 2 | 2 | 2 | 2 | O-ring |
| 57 | 16 15 044-01 | 2 | 2 | 2 | 2 | Plugg Plug |
| 58 | 16 15 121-01 | 1 | 1 | 1 | 1 | Justerkåpa Adjusting cover |
| 59 | 16 15 036-01 | 2 | 2 | 2 | 2 | Packning Gasket |
| 60 | 72 55 368-01 | 3 | 3 | 3 | 3 | Skruv M6x16 Screw |
| 61 | 16 15 056-01 | 1 | 1 | 1 | 1 | Skruv Screw |
| 62 | 16 15 141-01 | 1 | 1 | 1 | 1 | Slang Hose |
| 63 | 16 13 539-01 | 2 | 2 | 2 | 2 | Klamma Clamp |
| 64 | 16 15 128-01 | 1 | 1 | 1 | 1 | Behållare Container crank case ventilation |
| 65 | 73 22 118-01 | 1 | 1 | 1 | 1 | Mutter M8 Nut |
| 66 | 16 15 152-01 | 1 | 1 | 1 | 1 | Håvarm Lever |
| 67 | 16 15 123-01 | 1 | 1 | 1 | 1 | Fjäder Spring |
| 68 | 16 15 035-01 | 1 | 1 | 1 | 1 | Ventilyftarkåpa Decompressor cover |
| 69 | 72 55 374-01 | 1 | 1 | 1 | 1 | Skruv M6x30 Screw |
| 70 | 16 15 084-01 | 1 | 1 | 1 | 1 | Axel Shaft |
| 71 | 16 15 085-01 | 1 | 1 | 1 | 1 | Kam ventilyftare Decompressor cam |
| 72 | 73 53 110-00 | 1 | 1 | 1 | 1 | Spårring Circlip |
| 73 | 74 04 818-12 | 1 | 1 | 1 | 1 | O-ring |
| 74 | 72 55 461-01 | 2 | 2 | 2 | 2 | Skruv M6x50 Screw |
| 75 | 72 55 382-01 | 2 | 2 | 2 | 2 | Skruv M6x60 Screw |
| 76 | 72 55 379-01 | 1 | 1 | 1 | 1 | Skruv M6x45 Screw |
| 77 | 72 55 374-01 | 8 | 8 | 8 | 8 | Skruv M6x30 Screw |
| 78 | 72 31 362-01 | 2 | 2 | 2 | 2 | Skruv Screw |
| 79 | 16 10 823-01 | 4 | 4 | 4 | 4 | Bricka Washer |
| 80 | 74 04 205-10 | 1 | 1 | 1 | 1 | O-ring |
| 81 | 15 13 730-01 | 9 | 9 | 9 | 9 | Bricka Washer |
| 82 | 16 15 094-01 | 1 | 1 | 1 | 1 | Ventilyftarkåpa Kpl. Adjusting cover compl. |
| 83 | 16 15 126-01 | 4 | 4 | 4 | 4 | Låsfjäder, tätning Lockspring, seal |





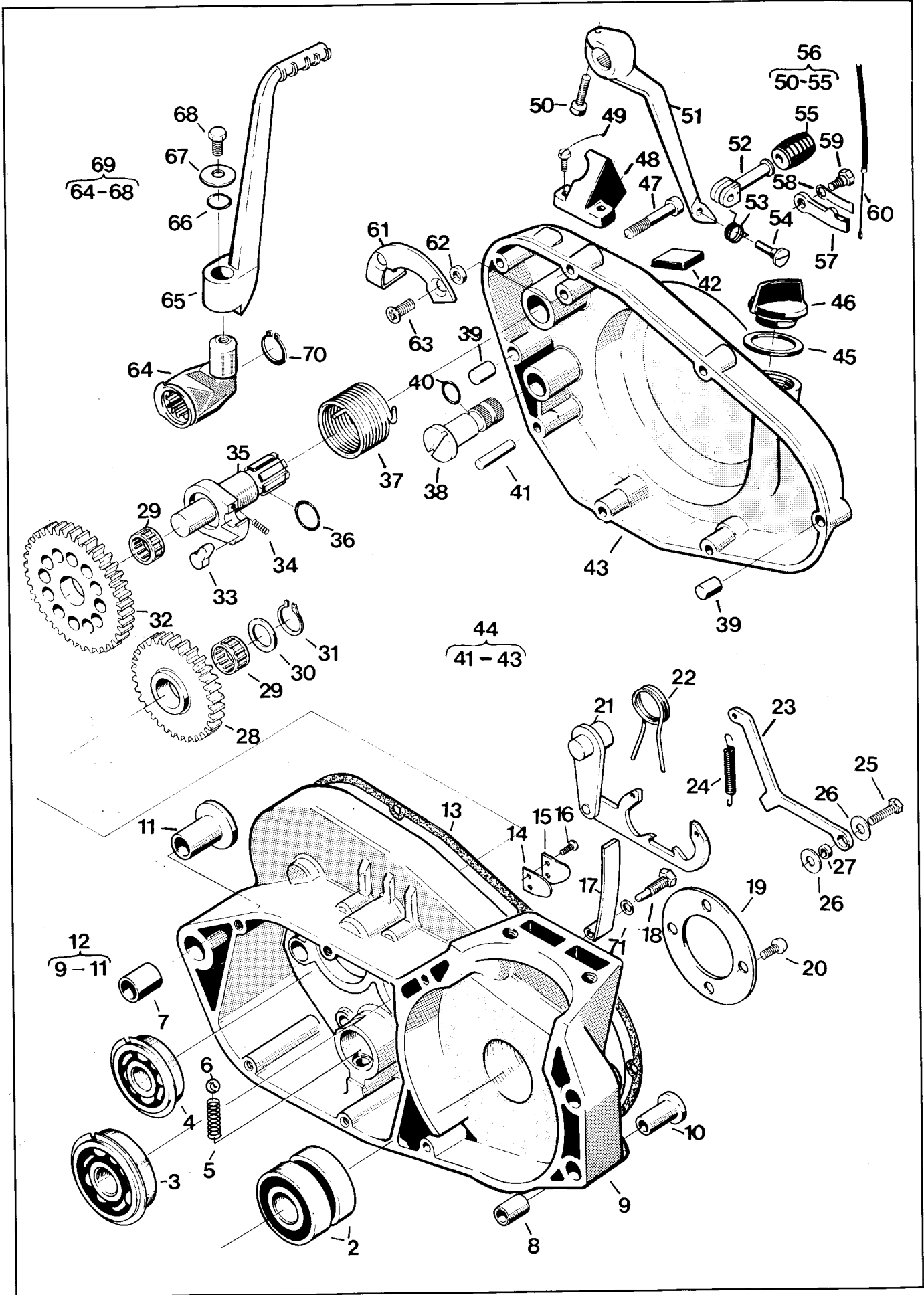
| Fig. | Reservdelsnr Part Number | Antal/Quantity | | | | Benämning/Description | |
|------|-----------------------------|----------------|-----|-------|-------|-----------------------|--|
| | | 500 | 510 | 510 | 510 | | |
| | | TC | TX | TE,EU | TE,US | | |
| 3 | 15 13 725-01 | 1 | 1 | 1 | 1 | Tätning Seal | |
| 4 | 16 10 810-01 | 1 | 1 | 1 | 1 | Fläns Flange | |
| 5 | 72 31 328-51 | 4 | 4 | 4 | 4 | Skruv M5x14 Screw | |
| 6 | 12 25 358-01 | 1 | 1 | 1 | 1 | Packning Gasket | |
| 7 | 72 55 385-01 | 6 | 6 | 6 | 6 | Skruv M6x75 Screw | |
| ✓ N | 8 | 16 14 728-02 | 1 | 1 | 1 | 1 | Genomföring Grommet |
| | 9 | 15 13 730-01 | 6 | 6 | 6 | 6 | Bricka Washer |
| | 10 | 73 83 205-40 | 1 | 1 | 1 | 1 | Lager Bearing |
| | 11 | 16 12 537-01 | 1 | 1 | 1 | 1 | Magnetplugg Drain plug |
| R/3 | 12 | 12 25 025-01 | 1 | 1 | 1 | 1 | Packning Gasket |
| | 13 | 72 31 323-01 | 1 | 1 | 1 | 1 | Skruv M5x8 Screw |
| | 14 | 16 11 816-01 | 1 | 1 | 1 | 1 | Kåpa Cover |
| | 15 | 72 55 374-01 | 3 | 3 | 3 | 3 | Skruv M6x30 Screw |
| | 17 | 16 12 353-01 | 1 | 1 | 1 | 1 | Distans Spacer |
| | 18 | 16 11 778-01 | 1 | 1 | 1 | 1 | Fläns Flange |
| | 19 | 72 35 328-55 | 4 | 4 | 4 | 4 | Skruv M5x14 Screw |
| | 20 | 73 82 205-28 | 1 | 1 | 1 | 1 | Lager Bearing |
| | 21 | 73 53 126-00 | 1 | 1 | 1 | 1 | Låsring Circlip |
| | 22 | 16 12 693-08 | 1 | 1 | 1 | 1 | Drev 17 t Sprocket |
| | 23 | 15 19 374-01 | 1 | 1 | 1 | 1 | Kedjelås Master link |
| | 24 | 15 19 373-10 | 1 | 1 | 1 | 1 | Kedja Chain |
| | 25 | 73 82 302-40 | 1 | 1 | 1 | 1 | Lager Bearing |
| | 26 | 16 15 116-01 | 4 | 4 | 4 | 4 | Dragstång Cylinder stud |
| | 27 | 16 15 014-01 | 1 | 1 | 1 | 1 | Packning Gasket |
| | 28 | 16 11 663-01 | 1 | 1 | 1 | 1 | Frikopplingsaxel Declutching shaft |
| | 29 | 15 13 722-01 | 1 | 1 | 1 | 1 | Tätning Seal |
| | 30 | 16 11 171-01 | 1 | 1 | 1 | 1 | Hävarm Lever |
| | 31 | 73 22 118-01 | 1 | 1 | 1 | 1 | Mutter M8 Nut |
| | 32 | 16 11 516-01 | 1 | 1 | 1 | 1 | Flänsbussning Flange sleeve |
| | 33 | 16 10 777-01 | 2 | 2 | 2 | 2 | Flänsbussning Flange sleeve |
| | 35 | 16 19 837-01 | 1 | 1 | 1 | 1 | Vevhushalva H kpl. Crank case half right compl. |
| | | 16 19 839-01 | 1 | 1 | 1 | 1 | Vevhus kpl. Crank case compl. |
| | | 16 19 846-01 | | | | | Packningssats Gasket set |

Vevhus vänster med kåpa
Crankcase left with cover

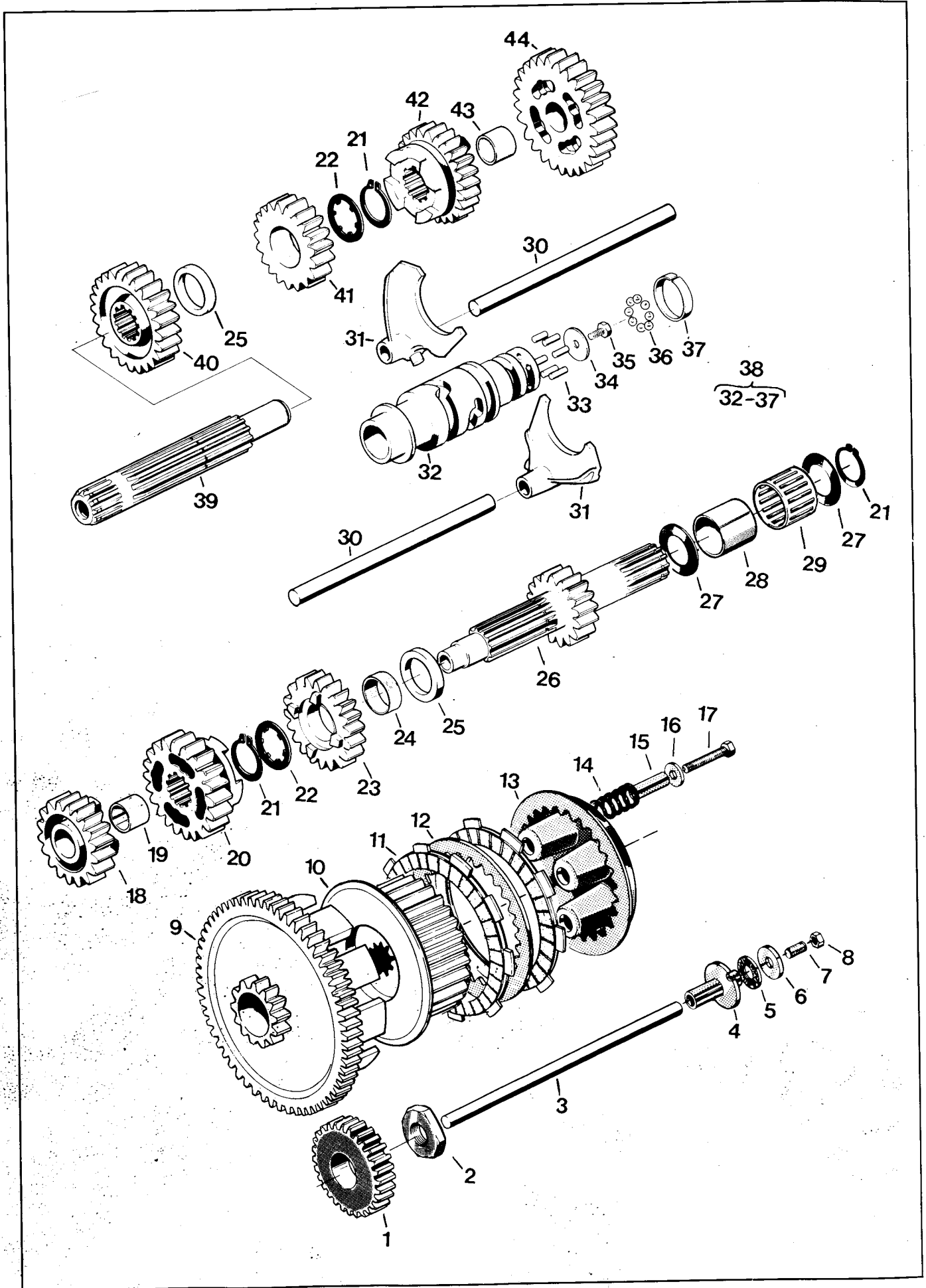


| Fig. | Reservdelsnr Part Number | Antal/Quantity | | | | Benämning/Description |
|------|-----------------------------|----------------|-----|-------|-------|---------------------------------------|
| | | 500 | 510 | 510 | 510 | |
| | | TC | TX | TE,EU | TE,US | |
| 2 | 73 82 205-28 | 2 | 2 | 2 | 2 | Lager Bearing |
| 3 | 15 13 721-01 | 1 | 1 | 1 | 1 | Lager Bearing |
| 4 | 15 13 720-01 | 1 | 1 | 1 | 1 | Lager Bearing |
| 5 | 16 12 745-01 | 1 | 1 | 1 | 1 | Fjäder Spring |
| 6 | 73 86 130-03 | 1 | 1 | 1 | 1 | Kula Ball |
| 7 | 16 11 527-01 | 1 | 1 | 1 | 1 | Styrhylsa Dowel pins |
| 8 | 16 10 776-01 | 1 | 1 | 1 | 1 | Styrhylsa Dowel pins |
| 10 | 16 10 777-01 | 1 | 1 | 1 | 1 | Flänsbussning Flange sleeve |
| 11 | 16 11 516-01 | 1 | 1 | 1 | 1 | Flänsbussning Flange sleeve |
| 12 | 16 19 838-01 | 1 | 1 | 1 | 1 | Vevhushalva V Crank case half left |
| 13 | 16 11 650-01 | 1 | 1 | 1 | 1 | Packning Gasket |
| 14 | 16 15 015-01 | 1 | 1 | 1 | 1 | Ventil Reed valve |
| 15 | 16 15 105-01 | 1 | 1 | 1 | 1 | Ventilstopp Reed valve support |
| 16 | 72 32 285-31 | 2 | 2 | 2 | 2 | Skruv M4x6 Screw |
| 17 | 16 15 055-01 | 1 | 1 | 1 | 1 | Släpa Cam chain tensioner |
| 18 | 16 15 056-01 | 1 | 1 | 1 | 1 | Skruv Screw |
| 19 | 16 10 779-01 | 1 | 1 | 1 | 1 | Stödbricka Support washer |
| 20 | 72 52 331-86 | 4 | 4 | 4 | 4 | Skruv M5x20 Screw |
| 21 | 16 11 686-01 | 1 | 1 | 1 | 1 | Växelmatare Gear selecto linkage |
| 22 | 16 11 692-01 | 1 | 1 | 1 | 1 | Returfjäder Return spring |
| 23 | 16 11 683-01 | 1 | 1 | 1 | 1 | Lägeshake Hook link |
| 24 | 16 11 684-01 | 1 | 1 | 1 | 1 | Fjäder Spring |
| 25 | 72 52 368-53 | 1 | 1 | 1 | 1 | Skruv M6x16 Screw |
| 26 | 15 13 734-01 | 2 | 2 | 2 | 2 | Bricka Washer |
| 27 | 16 11 216-01 | 1 | 1 | 1 | 1 | Bussning Bushing |
| ✓ 28 | 16 11 271-01 | 1 | 1 | 1 | 1 | Mellanhjul Idle gear |
| 29 | 16 11 675-01 | 1 | 1 | 1 | 1 | Nållager Needle bearing |
| 30 | 15 13 714-01 | 1 | 1 | 1 | 1 | Bricka Washer |
| 31 | 73 53 118-00 | 1 | 1 | 1 | 1 | Spårring Circlip |
| ✓ 32 | 16 11 270-01 | 1 | 1 | 1 | 1 | Kickdrev Kickstart gear |
| 33 | 16 11 680-01 | 1 | 1 | 1 | 1 | Medbringare Driver |
| 34 | 16 11 681-01 | 1 | 1 | 1 | 1 | Fjäder Spring |
| 35 | 16 11 677-01 | 1 | 1 | 1 | 1 | Kickaxel Kickstart shaft |
| ✓ 36 | 74 04 313-10 | 2 | 2 | 2 | 2 | O-ring |
| 37 | 16 11 682-01 | 1 | 1 | 1 | 1 | Kickfjäder Return spring |
| 38 | 16 11 746-01 | 1 | 1 | 1 | 1 | Växlingsaxel Gear shift shaft |

Vevhus vänster med kåpa
Crankcase left with cover

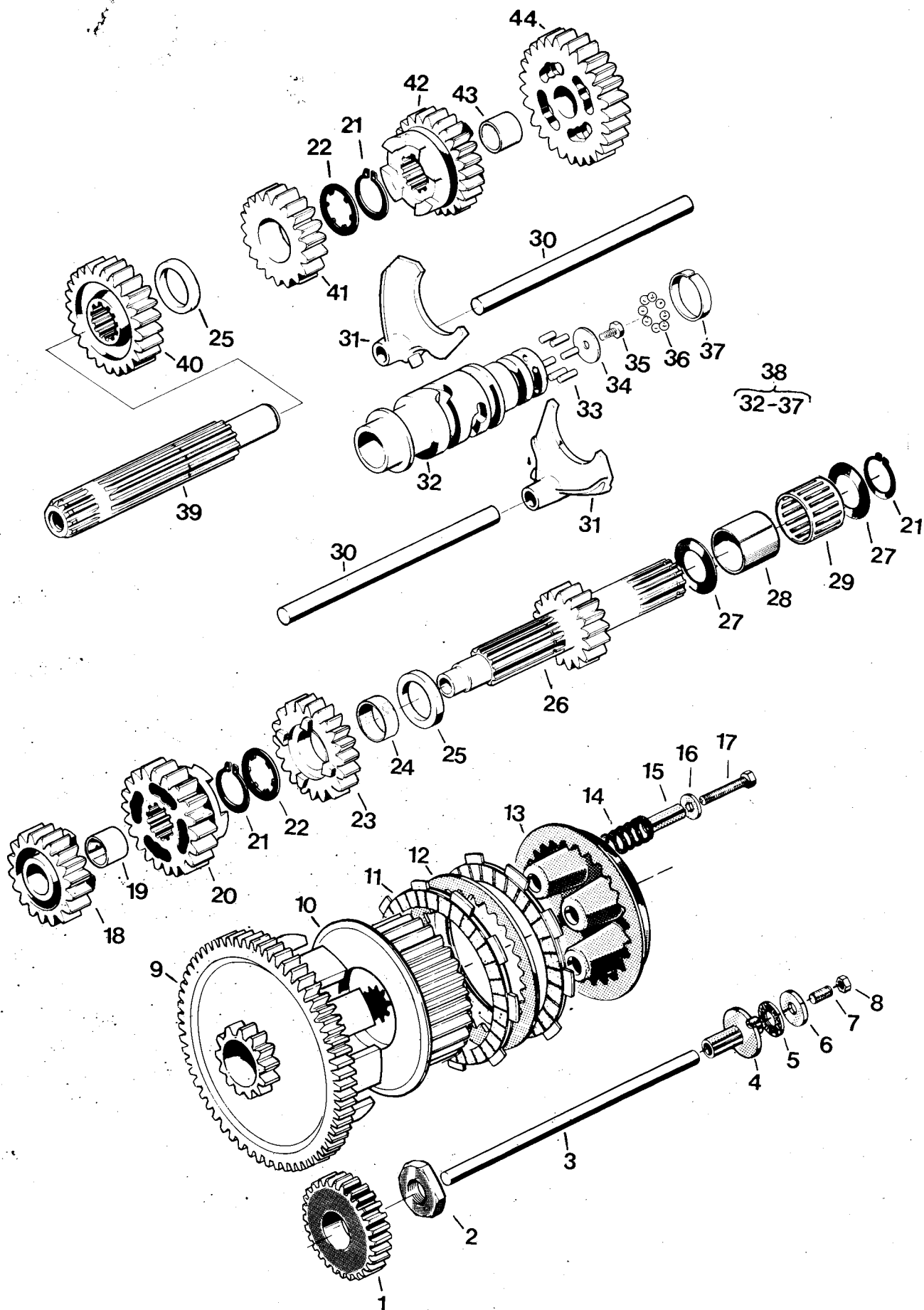


| Fig. | Reservdelsnr Part Number | Antal/Quantity | | | | Benämning/Description |
|------|--|----------------|-----|-------|-------|---|
| | | 500 | 510 | 510 | 510 | |
| | | TC | TX | TE,EU | TE,US | |
| 39 | 16 11 708-01 | 2 | 2 | 2 | 2 | Styrstift Dowel pins |
| 40 | 74 04 310-10 | 2 | 2 | 2 | 2 | O-ring |
| 41 | 72 113 44-40 | 1 | 1 | 1 | 1 | Pinne Pin |
| 42 | 16 15 142-01 | 1 | 1 | 1 | 1 | Gummi Rubber |
| 44 | 16 15 142-01 1619904-04 16 10 824-02 | 1 | 1 | 1 | 1 | Transmissionskåpa kpl. Transmission cover compl. |
| 45 | 50 12 782-01 | 1 | 1 | 1 | 1 | Packning Gasket |
| 46 | 16 10 786-02 | 1 | 1 | 1 | 1 | Lock Cap |
| 47 | 72 55 379-01 | 2 | 2 | 2 | 2 | Skruv M6x45 Screw |
| 47 | 72 55 378-01 | 4 | 4 | 4 | 4 | Skruv M6x40 Screw |
| 48 | 16 11 294-02 | 1 | 1 | 1 | 1 | Kickhållare Kickstarter retainer |
| 49 | 72 31 328-01 | 2 | 2 | 2 | 2 | Skruv M5x14 Screw |
| 50 | 72 55 370-01 | 1 | 1 | 1 | 1 | Skruv M6x22 Screw |
| 55 | 16 12 688-01 | 1 | 1 | 1 | 1 | Gummi Rubber |
| 56 | 16 12 683-01 | 1 | 1 | 1 | 1 | Växelspak kpl. Gear lever compl. |
| 57 | 16 15 148-01 | 1 | 1 | 1 | 1 | Lyftare Lifter |
| 58 | 16 15 147-01 | 1 | 1 | 1 | 1 | Fjäder Spring |
| 59 | 16 15 146-01 | 1 | 1 | 1 | 1 | Ledskruv Screw |
| 60 | 15 15 334-01 | 1 | 1 | 1 | 1 | Wire |
| 61 | 16 11 704-01 | 1 | 1 | 1 | 1 | Fjäderhållare Spring holder |
| 62 | 16 11 706-01 | 2 | 2 | 2 | 2 | Distans Spacer |
| 63 | 72 43 370-50 | 2 | 2 | 2 | 2 | Skruv Screw |
| 64 | 16 15 144-01 | 1 | 1 | 1 | 1 | Axeldel Lower part kickstarter |
| 65 | 16 11 288-01 | 1 | 1 | 1 | 1 | Kick Kickstarter |
| 66 | 74 04 310-00 | 1 | 1 | 1 | 1 | O-ring |
| 67 | 16 11 298-01 | 1 | 1 | 1 | 1 | Bricka Washer |
| 68 | 72 55 368-01 | 1 | 1 | 1 | 1 | Skruv M6x16 Screw |
| 69 | 16 15 151-01 | 1 | 1 | 1 | 1 | Kick kpl. Kickstarter compl. |
| 70 | 73 53 122-00 | 1 | 1 | 1 | 1 | Spårring Circlip |
| 71 | 16 15 140-01 | 1 | 1 | 1 | 1 | Bricka Washer |



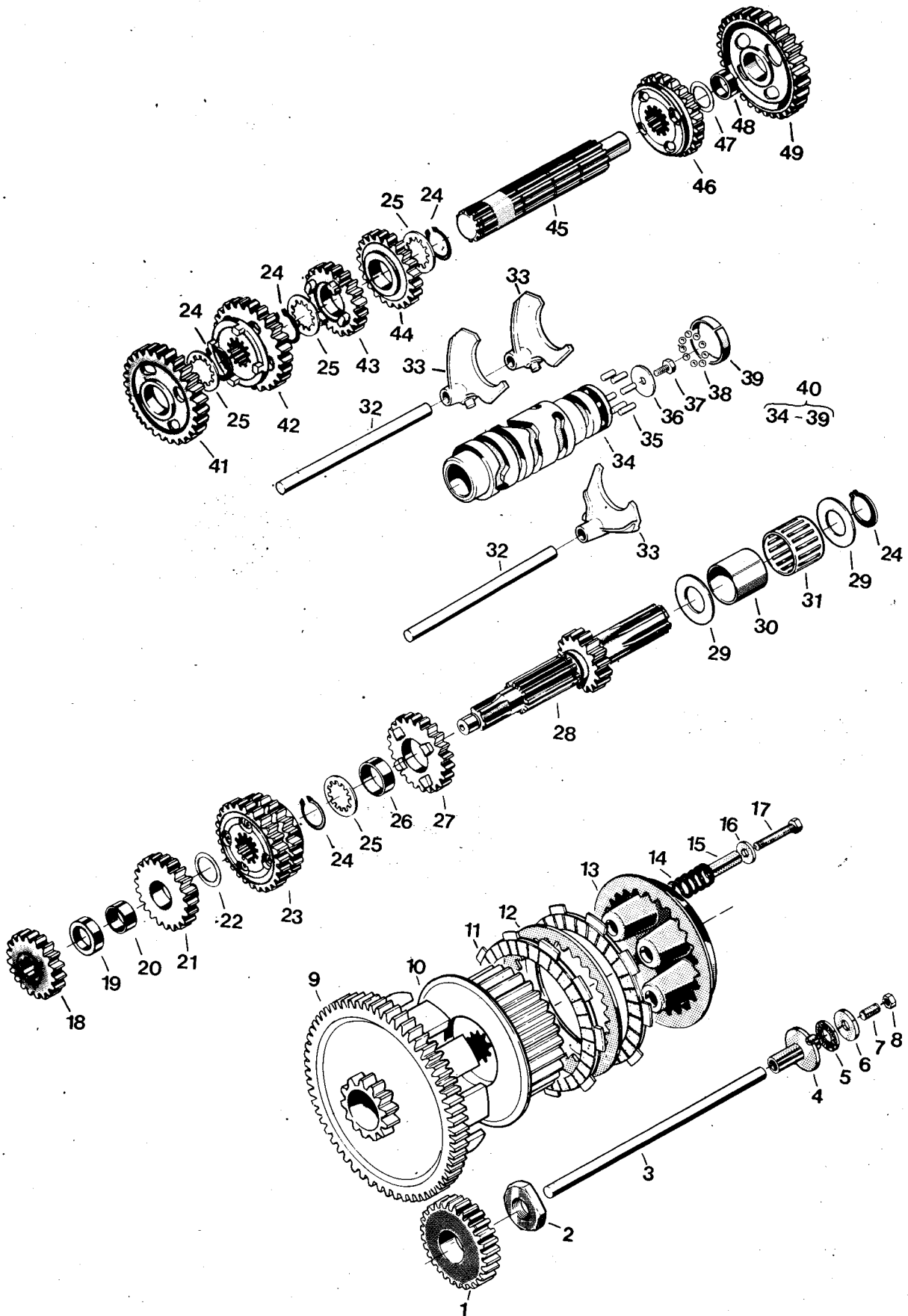
| Fig. | Reservdelsnr Part Number | Antal/Quantity | | | | Benämning/Description |
|------|-----------------------------|----------------|-----|-------|-------|---|
| | | 500 | 510 | 510 | 510 | |
| | | TC | TX | TE,EU | TE,US | |
| 1 | 16 11 178-01 | 1 | | | | Drivhjul Drive gear |
| 2 | 16 11 101-01 | 1 | | | | Mutter Nut |
| 3 | 16 11 673-01 | 1 | | | | Tryckstång Pushrod |
| 4 | 16 11 170-01 | 1 | | | | Axelhylsa Shaftsleeve |
| 5 | 16 11 166-01 | 1 | | | | Axiallager Bearing |
| 6 | 16 11 167-01 | 1 | | | | Bricka Washer |
| 7 | 72 85 370-00 | 1 | | | | Skruv Screw |
| 8 | 15 13 703-01 | 1 | | | | Mutter Nut |
| 9 | 16 11 669-01 | 1 | | | | Kopplingskorg Clutchgear |
| 10 | 16 15 088-01 | 1 | | | | Kopplingscentrum Clutchhub |
| 11 | 16 15 106-01 | 8 | | | | Lamell med beläggning Clutchdisc with lining |
| 12 | 16 15 107-01 | 7 | | | | Lamell Clutchdisc |
| 13 | 16 11 168-01 | 1 | | | | Trycksiva Pushplate |
| 14 | 16 15 265-02 | 5 | | | | Kopplingsfjäder Clutch spring |
| 15 | 16 11 169-01 | 5 | | | | Distans Spacer |
| 16 | 73 44 926-01 | 5 | | | | Bricka Washer |
| 17 | 72 52 378-71 | 5 | | | | Skruv M6x40 Screw |
| 18 | 16 12 373-01 | 1 | | | | Kugghjul 2:an Gearwheel 2:nd z = 20 |
| 19 | 16 12 380-01 | 1 | | | | Lagerhylsa Sleeve |
| 20 | 16 12 375-01 | 1 | | | | Kugghjul 4:an Gearwheel 4:th z = 25 |
| 21 | 73 53 126-00 | 3 | | | | Spärring Circlip |
| 22 | 16 11 717-01 | 2 | | | | Stödbricka Washer |
| 23 | 16 12 374-01 | 1 | | | | Kugghjul 3:an Gearwheel 3:rd z = 23 |
| 24 | 16 12 381-01 | 1 | | | | Lagerhylsa Sleeve |
| 25 | 16 12 383-01 | 2 | | | | Distans Spacer |
| 26 | 16 12 368-01 | 1 | | | | Huvudaxel Mainshaft z = 17 |
| 27 | 16 11 155-01 | 2 | | | | Bricka Washer |
| 28 | 16 11 670-01 | 1 | | | | Innerring Inner race |
| 29 | 16 11 671-01 | 1 | | | | Nålhållare Needle bearing |
| 30 | 16 11 699-01 | 2 | | | | Axel Shaft |
| 31 | 16 12 384-01 | 2 | | | | Växelförare Gear striker |
| 33 | 72 01 268-50 | 6 | | | | Pinne Pin |
| 34 | 15 13 709-01 | 1 | | | | Bricka Washer |
| 35 | 72 52 364-86 | 1 | | | | Skruv Screw |
| 36 | 73 86 120-11 | 11 | | | | Kula Ball |

Växellåda, koppling
Gearbox clutch 4-speed



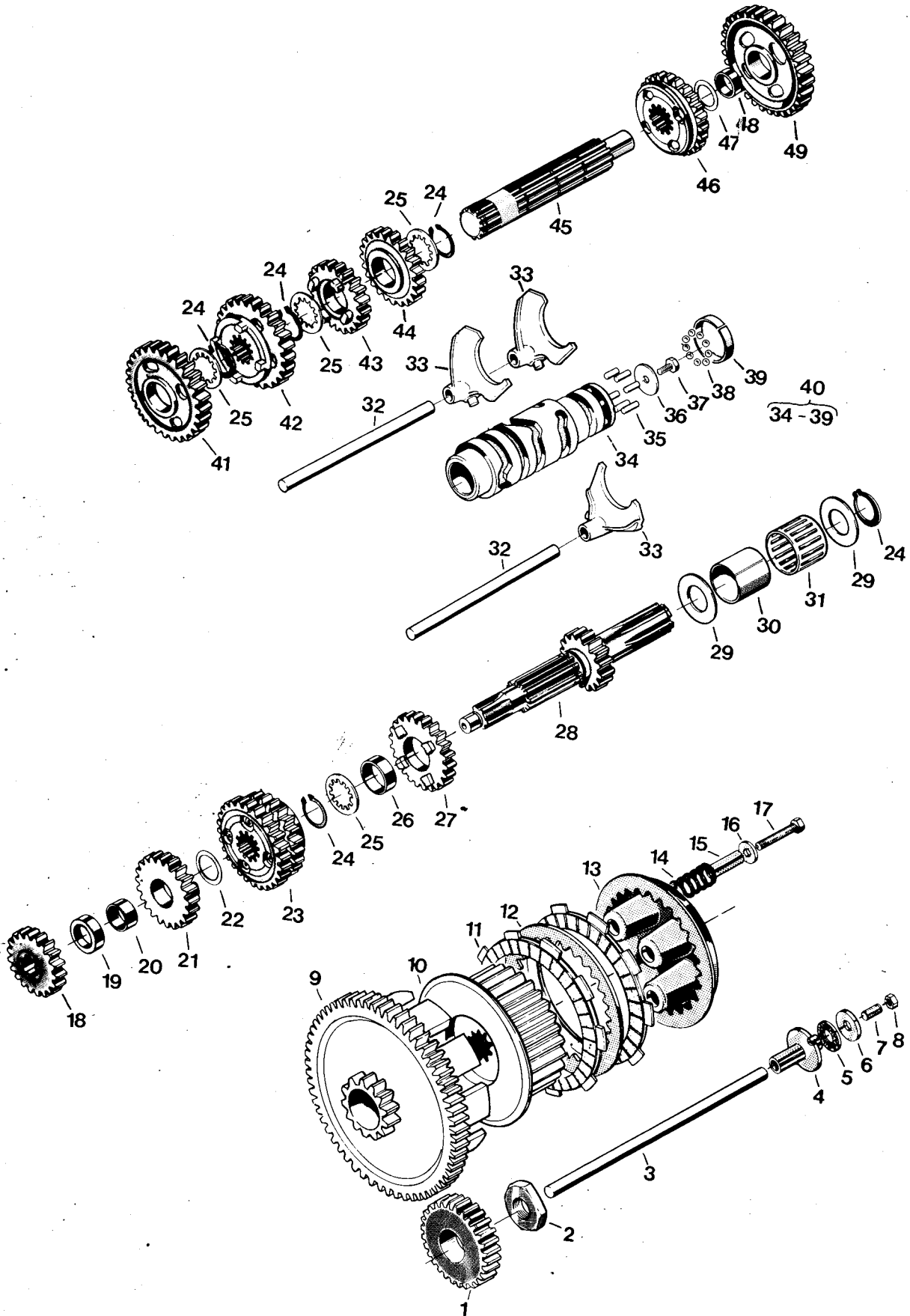
| Fig. | Reservdelsnr Part Number | Antal/Quantity | | | | Benämning/Description |
|------|-----------------------------|----------------|-----|-------|-------|--|
| | | 500 | 510 | 510 | 510 | |
| | | TC | TX | TE,EU | TE,US | |
| 37 | 16 12 699-01 | 1 | | | | Kulbana Ball race |
| 38 | 16 12 371-01 | 1 | | | | Kulissrulle Shift drum |
| 39 | 16 12 369-01 | 1 | | | | Hjälpaxel Auxiliary shaft |
| 40 | 16 12 377-01 | 1 | | | | Kuggjul 2:an Gear wheel 2:nd z = 26 |
| 41 | 16 12 379-01 | 1 | | | | Kuggjul 4:an Gear wheel 4:th z = 22 |
| 42 | 16 12 378-01 | 1 | | | | Kuggjul 3:an Gear wheel 3:rd z = 24 |
| 43 | 15 12 380-01 | 1 | | | | Lagerhylsa Sleeve |
| 44 | 16 12 376-01 | 1 | | | | Kuggjul 1:an Gear wheel 1:st z = 29 |

Växellåda, koppling
Gearbox clutch 6-speed

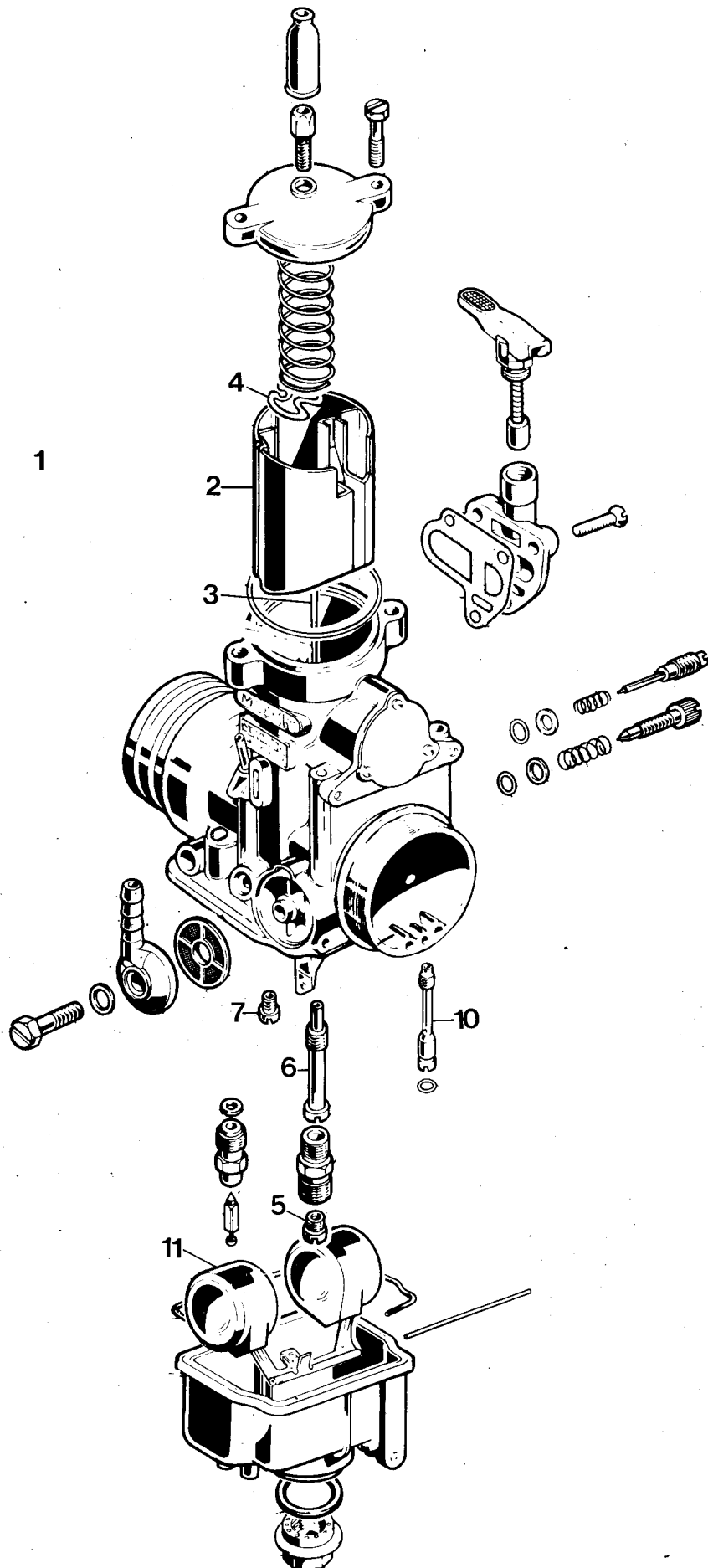


| Fig. | Reservdelsnr Part Number | Antal/Quantity | | | | Benämning/Description |
|------|-----------------------------|----------------|-----|-------|-------|---|
| | | 500 | 510 | 510 | 510 | |
| | | TC | TX | TE,EU | TE,US | |
| 1 | 16 11 178-01 | | 1 | 1 | 1 | Drivhjul Drive gear |
| 2 | 16 11 101-01 | | 1 | 1 | 1 | Mutter Nut |
| 3 | 16 11 673-01 | | 1 | 1 | 1 | Tryckstång Pushrod |
| 4 | 16 11 170-01 | | 1 | 1 | 1 | Axelhylsa Shaft sleeve |
| 5 | 16 11 166-01 | | 1 | 1 | 1 | Axiallager Bearing |
| 6 | 16 11 167-01 | | 1 | 1 | 1 | Bricka Washer |
| 7 | 72 85 370-00 | | 1 | 1 | 1 | Skruv Screw |
| 8 | 15 13 703-01 | | 1 | 1 | 1 | Mutter Nut |
| 9 | 16 11 669-01 | | 1 | 1 | 1 | Kopplingskorg Clutchgear |
| 10 | 16 15 088-01 | | 1 | 1 | 1 | Kopplingscentrum Clutchhub |
| 11 | 16 15 106-01 | | 8 | 8 | 8 | Lamell med beläggning Clutchdisc with lining |
| 12 | 16 15 107-01 | | 7 | 7 | 7 | Lamell Clutchdisc |
| 13 | 16 11 168-01 | | 1 | 1 | 1 | Trycksiva Pushplate |
| 14 | 16 15 265-02 | | 5 | 5 | 5 | Kopplingsfjäder Clutch spring |
| 15 | 16 11 169-01 | | 5 | 5 | 5 | Distans Spacer |
| 16 | 73 44 926-01 | | 5 | 5 | 5 | Bricka Washer |
| 17 | 72 52 378-71 | | 5 | 5 | 5 | Skruv M6x40 Screw |
| 18 | 16 12 362-01 | | 1 | 1 | 1 | Kugghjul 2:an Gear wheel 2:nd z = 16 |
| 19 | 16 12 481-01 | | 1 | 1 | 1 | Distansring Spacer |
| 20 | 16 12 480-01 | | 1 | 1 | 1 | Lagerhylsa Sleeve |
| 21 | 16 12 363-01 | | 1 | 1 | 1 | Kugghjul 3:an Gear wheel 3:rd z = 19 |
| 22 | 16 12 842-01 | | 1 | 1 | 1 | Stödbricka Washer |
| 23 | 16 12 390-01 | | 1 | 1 | 1 | Kugghjul 5-6:an Gear wheel 5-6:th z = 25-27 |
| 24 | 73 53 126-00 | | 5 | 5 | 5 | Spårring Circlip |
| 25 | 16 11 717-01 | | 4 | 4 | 4 | Stödbricka Washer |
| 26 | 16 12 418-01 | | 1 | 1 | 1 | Lagerhylsa Sleeve |
| 27 | 16 11 837-01 | | 1 | 1 | 1 | Kugghjul 4:an Gear wheel 4:th z = 23 |
| 28 | 16 12 360-01 | | 1 | 1 | 1 | Huvudaxel Mainshaft z = 13 |
| 29 | 16 11 155-01 | | 2 | 2 | 2 | Bricka Washer |
| 30 | 16 11 670-01 | | 1 | 1 | 1 | Innerring Inner race |
| 31 | 16 11 671-01 | | 1 | 1 | 1 | Nållager Needle bearing |
| 32 | 16 11 699-01 | | 2 | 2 | 2 | Axel Shaft |
| 33 | 16 12 384-01 | | 3 | 3 | 3 | Växelförare Gear striker |
| 35 | 72 01 268-50 | | 6 | 6 | 6 | Pinne Pin |

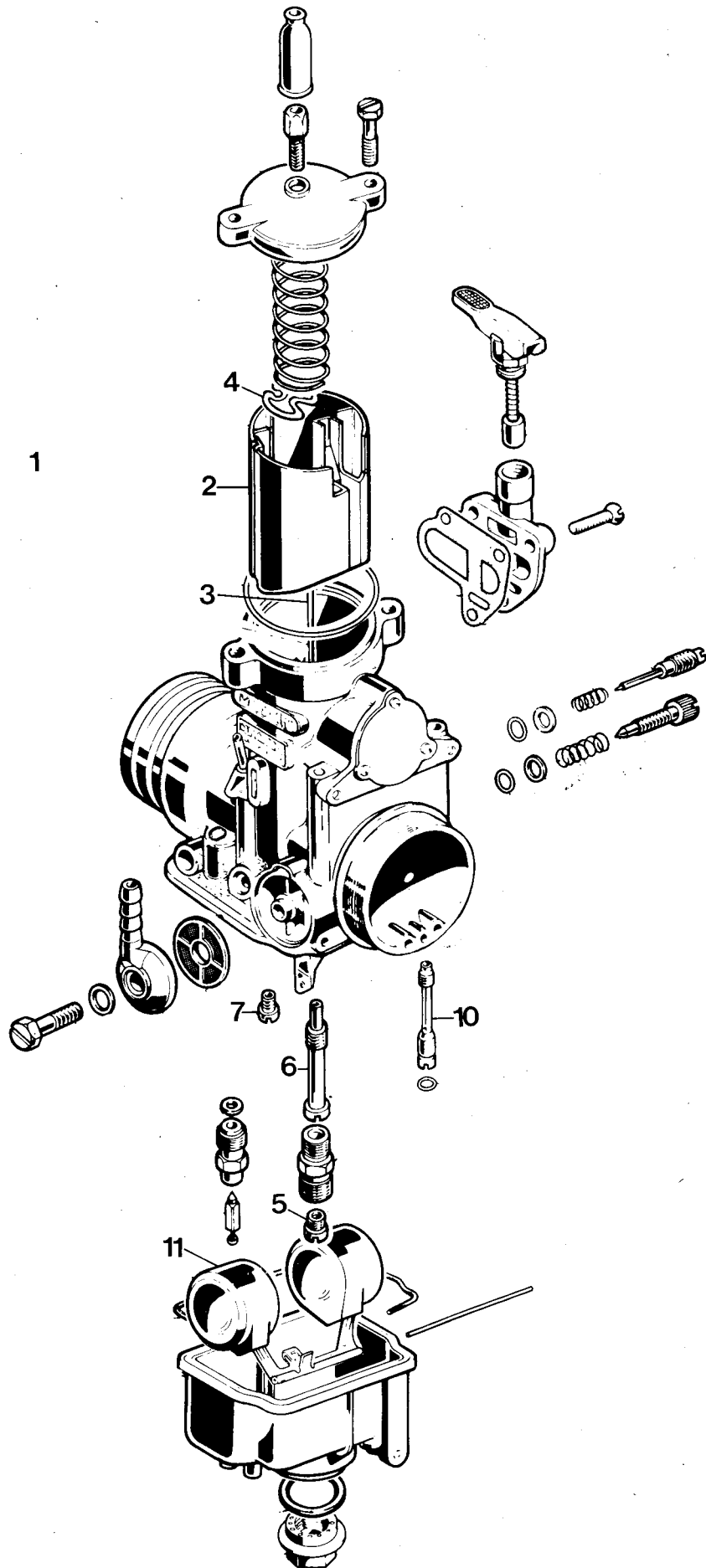
Växellåda, koppling
Gearbox clutch 6-speed



| Fig. | Reservdelsnr Part Number | Antal/Quantity | | | | Benämning/Description |
|------|-----------------------------|----------------|-----|-------|-------|---|
| | | 500 | 510 | 510 | 510 | |
| | | TC | TX | TE,EU | TE,US | |
| 36 | 15 13 709-01 | | 1 | 1 | 1 | Bricka Washer |
| 37 | 72 52 364-86 | | 1 | 1 | 1 | Skruv M6x10 Screw |
| 38 | 73 86 120-03 | | 11 | 11 | 11 | Kula Ball |
| 39 | 16 12 699-01 | | 1 | 1 | 1 | Kulbana Ball race |
| 40 | 16 11 701-01 | | 1 | 1 | 1 | Kulissrulle kpl. Shift drum compl. |
| 41 | 16 12 365-01 | | 1 | 1 | 1 | Kugghjul 2:an Gear wheel 2:nd z = 29 |
| 42 | 16 12 386-01 | | 1 | 1 | 1 | Kugghjul 3:an Gear wheel 3:rd z = 26 |
| 43 | 16 12 357-01 | | 1 | 1 | 1 | Kugghjul 6:an Gear wheel 6:th z = 20 |
| 44 | 16 11 715-01 | | 1 | 1 | 1 | Kugghjul 5:an Gear wheel 5:th z = 22 |
| 45 | 16 12 350-01 | | 1 | 1 | 1 | Hjälpaxel Auxiliaryshaft |
| 46 | 16 12 388-01 | | 1 | 1 | 1 | Kugghjul 4:an Gear wheel 4:th z = 24 |
| 47 | 16 13 714-01 | | 1 | 1 | 1 | Stöbricka Washer |
| 48 | 16 12 415-01 | | 1 | 1 | 1 | Lagerhylsa Sleeve |
| 49 | 16 12 361-01 | | 1 | 1 | 1 | Kugghjul 1:an Gear wheel 1:th z = 34 |



| Fig. | Reservdelsnr Part Number | Antal/Quantity | | | | Benämning/Description |
|------|-----------------------------|----------------|-----|-------|-------|-----------------------------------|
| | | 500 | 510 | 510 | 510 | |
| | | TC | TX | TE,EU | TE,US | |
| 1 | 16 15 240-01 | 1 | 1 | 1 | 1 | Förgasare kpl. Carburettor |
| 2 | 16 15 251-01 | 1 | 1 | 1 | 1 | Trottel Throttle 60 |
| 3 | 16 15 254-01 | 1 | 1 | 1 | 1 | Nål Needle K32 |
| 4 | 16 15 167-01 | 1 | 1 | 1 | 1 | Nålclips Needle clip |
| 5 | 16 15 213-01 | 1 | 1 | 1 | 1 | Huvudmunstycke Mainjet 155 |
| 6 | 16 15 217-01 | 1 | 1 | 1 | 1 | Nålmunstycke Needle jet AB 265 |
| 7 | 16 15 222-01 | 1 | 1 | 1 | 1 | Tomgångsmunstycke Pilot jet 55 |
| 10 | 16 15 228-01 | 1 | 1 | 1 | 1 | Startmunstycke Start jet 70 |
| 11 | 16 15 215-01 | 1 | 1 | 1 | 1 | Flottör 14 g Float |



| Fig. | Reservdelsnr Part Number | Antal/Quantity | | | | Benämning/Description |
|------|-----------------------------|----------------|-----|-------|-------|--|
| | | 500 | 510 | 510 | 510 | |
| | | TC | TX | TE,EU | TE,US | |
| 2 | 16 15 248-01 | | | | | Trottel 40 Throttle |
| 2 | 16 15 251-01 | | | | | Trottel 60 <i>Stambort</i> Throttle |
| 3 | 16 15 233-01 ✓ | | | | | Nål K 16 Needle |
| 3 | 16 15 252-01 ✓ | | | | | Nål K 9 Needle |
| 3 | 16 15 253-01 ✓ | | | | | Nål K2 Needle |
| 5 | 16 15 209-01 ✓ | | | | | Huvudmunstycke 145 Mainjet |
| 5 | 16 15 210-01 ✓ | | | | | Huvudmunstycke 148 Mainjet |
| 5 | 16 15 212-01 ✓ | | | | | Huvudmunstycke 152 Mainjet |
| 5 | 16 15 213-01 ✓ | | | | | Huvudmunstycke 155 Mainjet |
| 5 | 16 15 214-01 ✓ | | | | | Huvudmunstycke 158 Mainjet |
| 5 | 16 15 244-01 ✓ | | | | | Huvudmunstycke 160 Mainjet |
| 5 | 16 15 245-01 ✓ | | | | | Huvudmunstycke 165 Mainjet |
| 5 | 16 15 247 ✓ | | | | | Huvudmunstycke 175 Mainjet |
| 5 | 16 15 248-01 ✓ | | | | | Huvudmunstycke 180 Mainjet |
| 6 | 16 15 216-01 ✓ | | | | | Nålmunstycke 262 Needle jet |
| 6 | 16 15 218-01 ✓ | | | | | Nålmunstycke 268 Needle jet |
| 7 | 16 15 219-01 ✓ | | | | | Tomgångsmunstycke 48 Pilot jet |
| 7 | 16 15 220-01 ✓ | | | | | Tomgångsmunstycke 50 Pilot jet |
| 7 | 16 15 222-01 ✓ | | | | | Tomgångsmunstycke 55 Pilot jet |
| 7 | 16 15 223-01 ✓ | | | | | Tomgångsmunstycke 58 Pilot jet |
| 10 | 16 15 291-01 ✓ | | | | | Startmunstycke 65 Start jet |
| 10 | 16 15 228-01 | | | | | Startmunstycke 70 Start jet |
| 10 | 16 15 292-01 ✓ | | | | | Startmunstycke 75 Start jet |
| 10 | 16 15 295-01 ✓ | | | | | Startmunstycke 80 Start jet |

| Orig NIR | Sed | NIR | Orig HV17 | Artikel | Stk |
|------------------------------------|-----|-----|-------------|-------------|-----|
| 6302 RS | 3 | 22 | 738 2302-24 | Lager | 2 |
| 608-2RSA | 3 | 25 | 738 2198-04 | " | 2 |
| 608-2R11 | 7 | 12 | 738 2198-04 | - " - | 4 |
| 310-6749 | 7 | 2 | 151 1277-01 | Nadelklager | 4 |
| 310-6734C | 7 | 36 | 151 1239-01 | - " - | 4 |
| 6302/2RSA | 15 | 19 | 728 2302-34 | Lager VR | 2 |
| 6302 RS | 21 | 27 | 738 2302-34 | Lager HR | 2 |
| 3204 C3 | 31 | 2 | 738 3204-40 | Lager KW | 2 |
| 6302 C3 | 31 | 8 | 738 2302-40 | " " | 1 |
| IN17-C3-205KXN4 IN17/C3/205KXN4 | 31 | 9 | 161 6351-01 | " " | 1 |
| 3205 C3 | 35 | 2 | 738 3205-40 | " " | 1 |
| 6302 C3 | 35 | 7 | 738 2302-40 | " " | 1 |
| 6205 C3 | 35 | 8 | 738 2205-28 | " " | 1 |
| IN17-C3-205KXN4 | 35 | 8 | 161 6351-01 | " " | 1 |
| 3204 C3 | 39 | 4 | 738 2204-25 | " " | 2 |
| 6205 C3 | 39 | 6 | 151 3721-01 | " " | 1 |
| 6303 C3 | 39 | 7 | 151 3720-01 | " " | 1 |
| 608 RSA | 39 | 43 | 738 2198-04 | " " | 1 |
| 608 | 39 | 63 | 738 2198-00 | " " | 1 |
| 6205 C3 | 43 | 6 | 738 2205-25 | " " | 2 |
| 6205 C3 | 43 | 7 | 151 3721-01 | " " | 1 |
| 6303 C3 | 43 | 8 | 151 3720-01 | " " | 1 |
| 608 | 43 | 9 | 738 2198-00 | " " | 1 |
| 608 RSA | 43 | 65 | 738 2198-04 | " " | 1 |