

Husqvarna

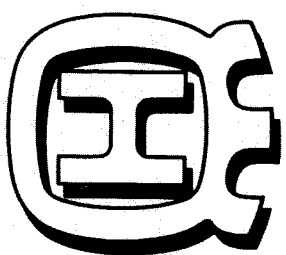
1986

RESERVDLSKATALOG SPARE PARTS MANUAL



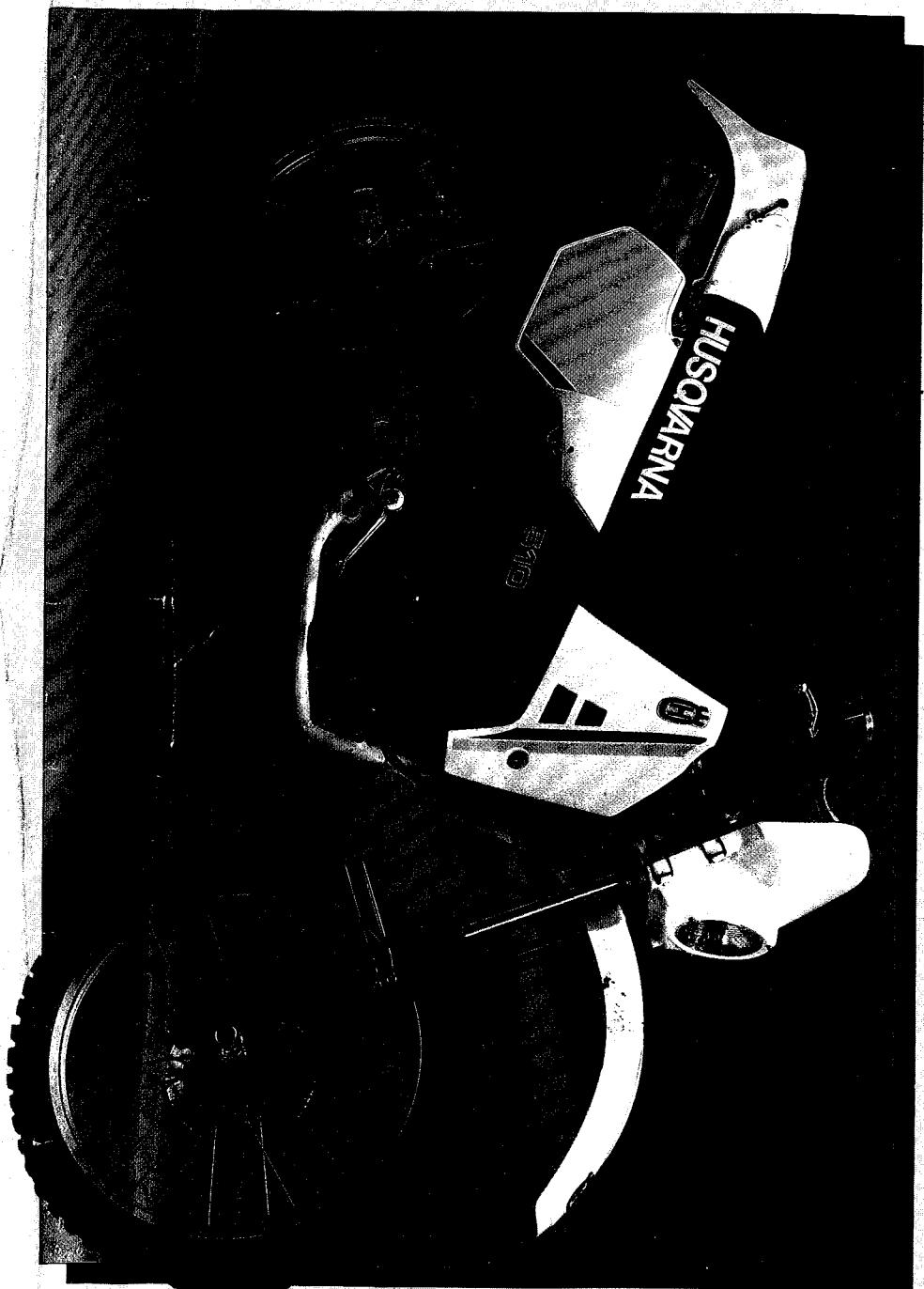
510

END

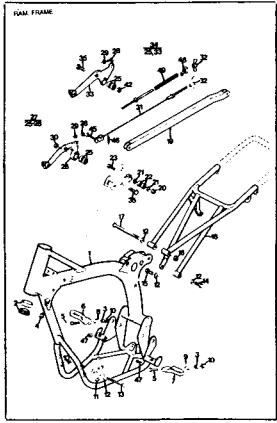


HUSQVARNNA

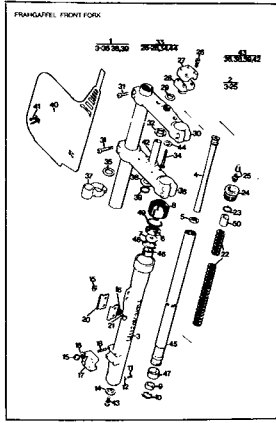
4-STROKE



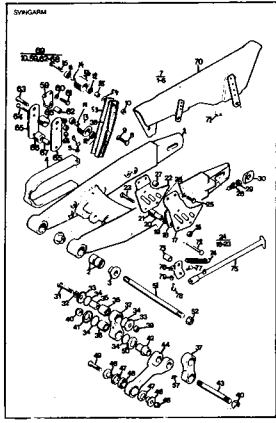
INDEX



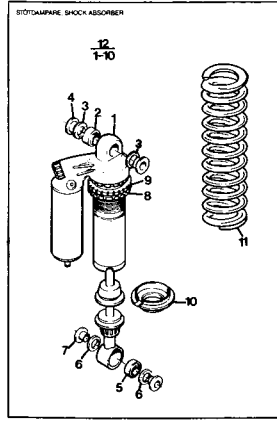
Sida 2
Page



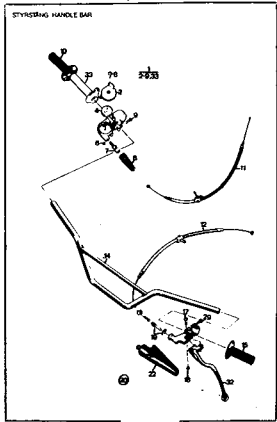
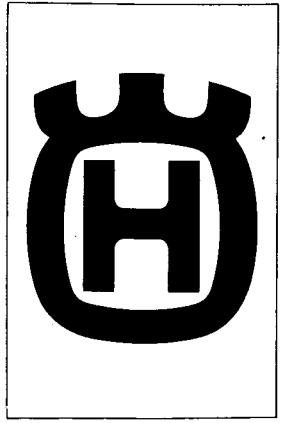
4



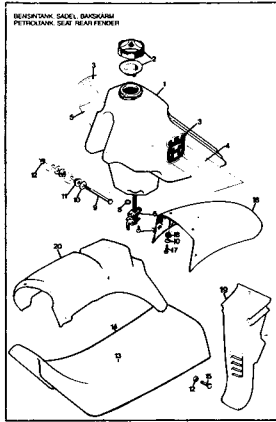
6



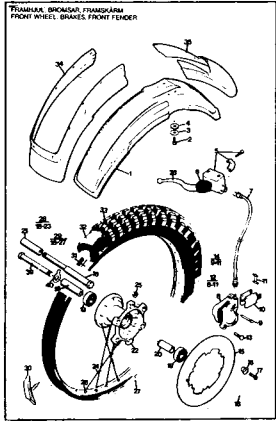
8



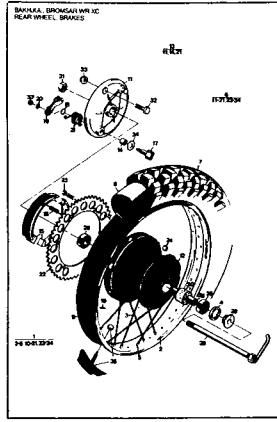
10



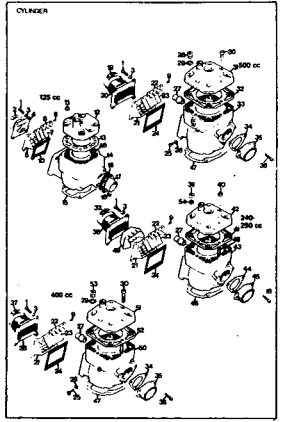
12



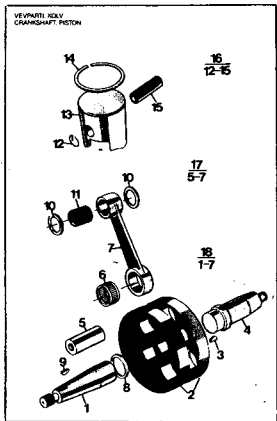
14



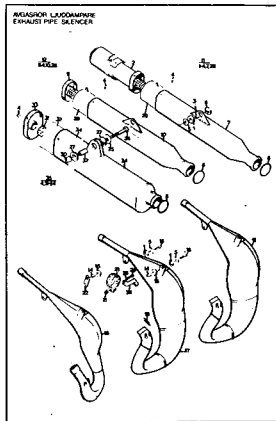
16



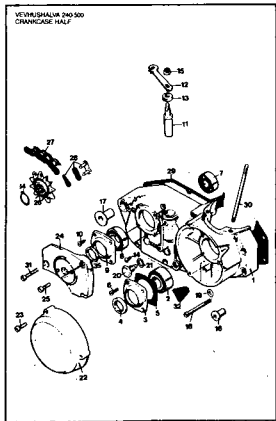
22



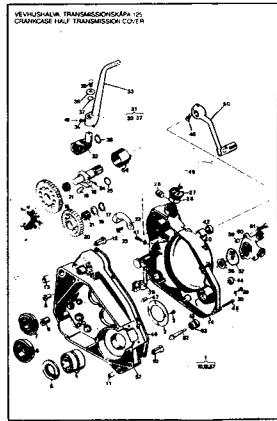
24



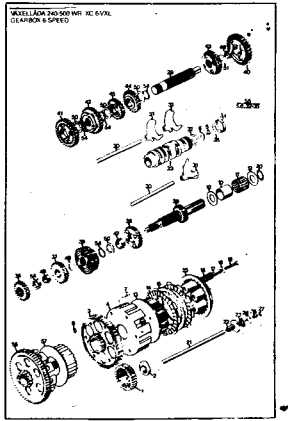
26



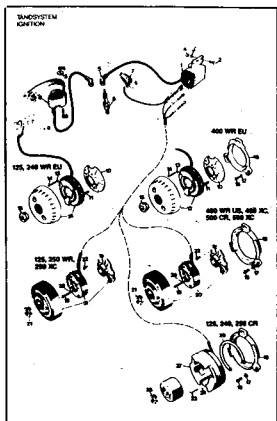
28



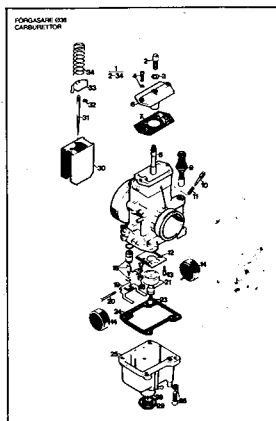
34



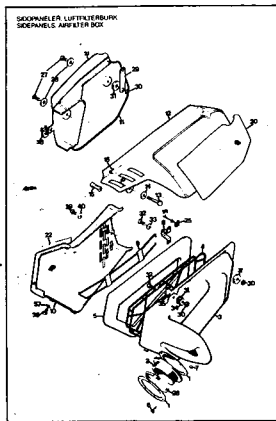
42



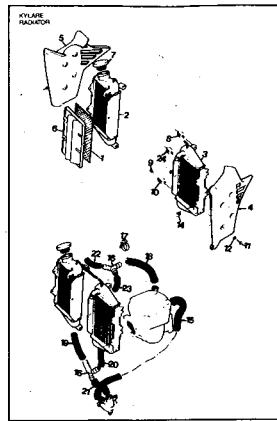
54



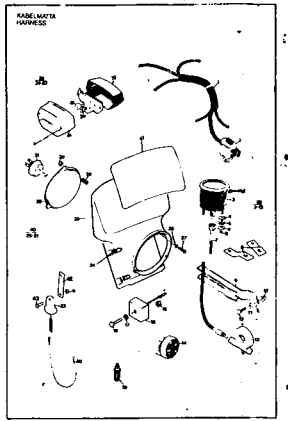
56



74



76



78

DIMENSIONER OCH BETECKNINGAR

Skruvar: Gängdimension x längd (M6 x 30)
Muttrar: Gängdimension (M8)
Brickor: Typ, inre \emptyset x yttre \emptyset x tjocklek (FBB 6.4 x 10 x 1)
Typer: FBB = Fjäderbricka, öppen
FA = Fjäderbricka
LI = Låsbricka, innertandad
Kullager: Fabrikantens beteckning (SKF 6301)
Tätningar: Inre \emptyset x yttre \emptyset x tjocklek (25 x 42 x 7)

L = Längd

z = Antal kuggar

N = Ny reservdel

Rätt till ändringar förbehålles

DIMENSIONS AND DISCRPTIONS

Screws: Thread dimensions x length
Nuts: Thread dimension
Washer: Type, inner \emptyset x exterior \emptyset x thickness
Types: FBB = Spring washer open
FA = Spring washer
LI = Lock washer, inside indent

Ball bearings: Manufactures description

Sealing rings: Inner \emptyset x exterior \emptyset x thickness

L = Length

z = Numbers of cogs

N = New spare part

Specifications subject to change without notice

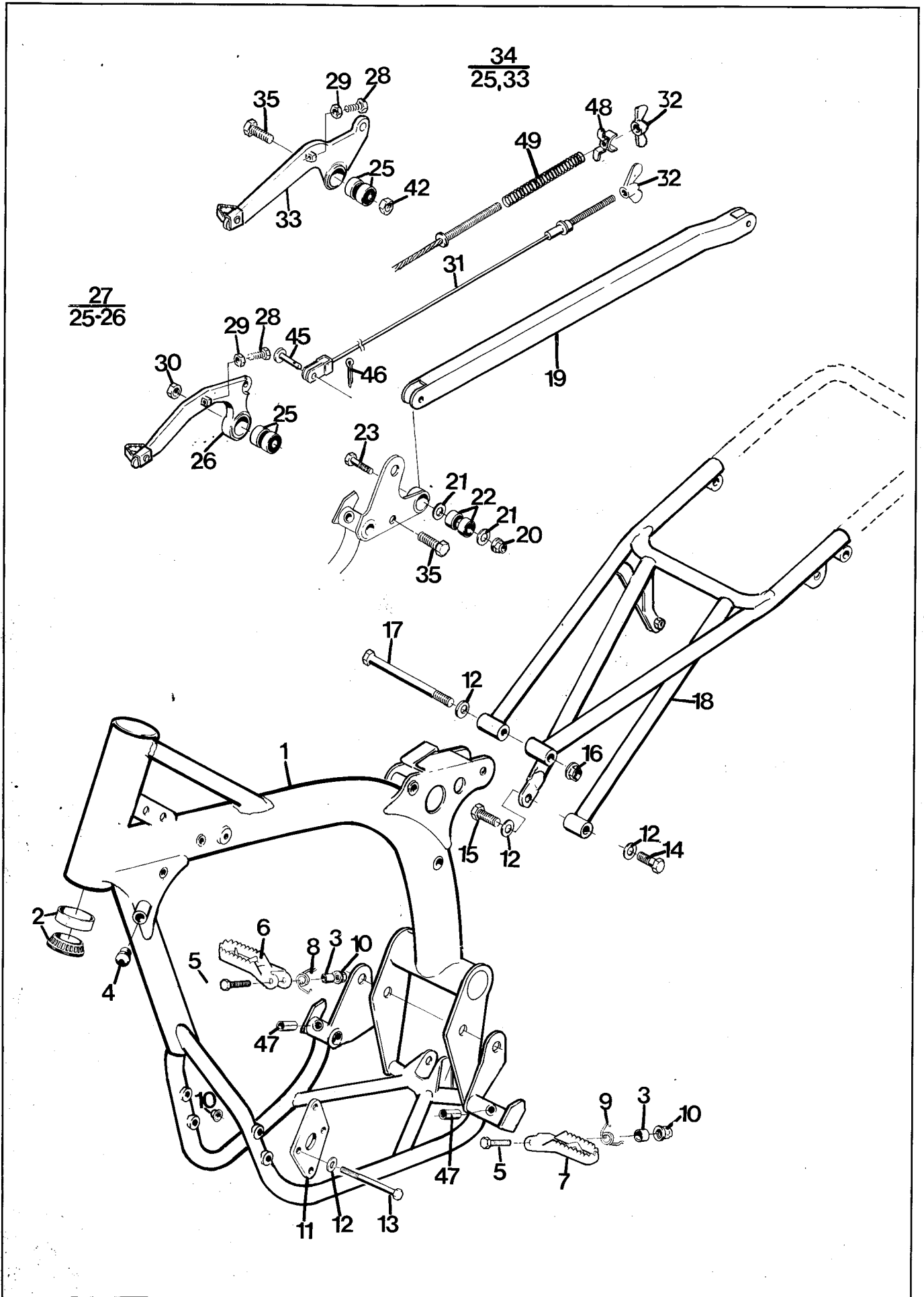


Fig.	Reservdelsnummer Sparepart number	Antal - Quantity													Benämning, Description	
		125			240		250			400		500		400		
		CR	WR	XC	CR	WR	CR	WR	XC	EU WR	US WR	CR	XC	XC		
N N N N	1	15 11 430-02 —	1													Ram. Frame
		15 11 438-01 —		1	1											Ram. Frame
		15 11 430-01 —				1		1							1	Ram. Frame
		15 11 438-03 —					1		1	1	1				1	Ram. Frame
	2	15 13 070-01	2	2	2	2	2	2	2	2	2	2	2	2	2	Styrlager. Bearing
N	3	15 13 617-01 10	2	2	2	2	2	2	2	2	2	2	2	2	2	Distans. Spacer
	4	15 19 537-01 20	4	4	4	4	4	4	4	4	4	4	4	4	4	Propp. Plug
	5	72 52 462-51 10	2	2	2	2	2	2	2	2	2	2	2	2	2	Bult. Bolt M8 x 55
N	6	15 13 152-01 10	1	1	1	1	1	1	1	1	1	1	1	1	1	Fotpinne, höger. Foot peg, right
	7	15 13 156-01 10	1	1	1	1	1	1	1	1	1	1	1	1	1	Fotpinne, vänster. Foot peg, left
N	8	15 13 158-01 20	1	1	1	1	1	1	1	1	1	1	1	1	1	Fjäder, höger. Spring left
	9	15 13 159-01 20	1	1	1	1	1	1	1	1	1	1	1	1	1	Fjäder, vänster. Spring, left
	10	15 13 707-01 20	2	2	2	2	2	2	2	2	2	2	2	2	2	Mutter M8. Nut
	11	15 11 276-01 4	2	2	2											Motorfästplåt
		15 11 253-01 4				2	2	2	2	2	2	2	2	2	2	Engine mounting plate
	12	73 41 164-01 40	9	9	9	9	9	9	9	9	9	9	9	9	9	Bricka. Washer
	13	72 52 472-81 10	2	2	2	2	2	2	2	2	2	2	2	2	2	Bult M8 x 105. Bolt
		72 52 461-81 10	4	4	4	4	4	4	4	4	4	4	4	4	4	Bult M8 x 50. Bolt
	14	72 52 461-81 10	1	1	1	1	1	1	1	1	1	1	1	1	1	Bult M8 x 50. Bolt
	15	72 52 451-51 10	1	1	1	1	1	1	1	1	1	1	1	1	1	Bult M8 x 20. Bolt
	16	15 13 707-01 10	1	1	1	1	1	1	1	1	1	1	1	1	1	Mutter M8. Nut
	17	72 52 477-81 10	1	1	1	1	1	1	1	1	1	1	1	1	1	Bult M8 x 130. Bolt
N N N N	18	15 11 431-01 1	1			1			1					1		Sadelbrygga. Rearframe
		15 11 431-02 1			1				1					1		Sadelbrygga. Rearframe
		15 11 440-01 1						1			1					Sadelbrygga. Rearframe
		15 11 440-02 1		1			1				1					Sadelbrygga. Rearframe
	19	15 15 511-01 3	1			1		1					1			Bromslänk. Brake stay arm
	20	73 22 1165-1 10	1			1		1					1			Mutter M6. Nut
	21	73 41 153-41 10	4			4		4					4			Bricka. Washer
	22	73 82 392-34 20	2			2		2					2			Lager. Bearing
	23	72 52 374-51 10	2			2		2					2			Bult M6 x 30. Bolt
	25	73 82 198-04 20	2	2	2	2	2	2	2	2	2	2	2	2	2	Lager. Bearing
	27	15 15 510-01 3	1			1		1					1			Bromspedal kpl. med lager
																Brake lever compl. with bearing
	28	72 52 371-51 10	1	1	1	1	1	1	1	1	1	1	1	1	1	Skruv M6 x 22. Screw
	29	73 22 1165-1 10	1	1	1	1	1	1	1	1	1	1	1	1	1	Mutter M6. Nut
	30	73 22 118-01 10	1	1	1	1	1	1	1	1	1	1	1	1	1	Mutter M8. Nut
	31	15 11 303-01 5	1			1		1					1			Bromswire. Brake cable
		15 11 303-03 5		1	1	1	1	1	1	1	1	1	1	1	1	Bromswire
N	32	15 15 554-01 10	1	1	1	1	1	1	1	1	1	1	1	1	1	Brake cable
	34	15 15 528-01 1			1			1	1		1		1	1	1	Vingmutter. Wingnut
		15 15 550-01 2		1		1				1						Bromspedal kpl.
																Brake lever compl.
																Bromspedal kpl.
																Brake lever compl.
	35	72 52 455-51 10	1	1	1	1	1	1	1	1	1	1	1	1	1	Skruv M8 x 30. Screw
	45	15 16 289-01 10	1	1	1	1	1	1	1	1	1	1	1	1	1	Bult. Bolt
	46	72 16 150-01 10	1	1	1	1	1	1	1	1	1	1	1	1	1	Pinne. Pin
N	47	15 13 160-01 10	2	2	2	2	2	2	2	2	2	2	2	2	2	Rörpinne. Bushing
	48	15 16 897-01 10		1	1		1		1	1	1	1	1	1	1	Snabbkoppling bromswire
	49	15 16 898-01 20		1	1		1		1	1	1	1	1	1	1	Securing plate brakecable
																Fjäder. Spring

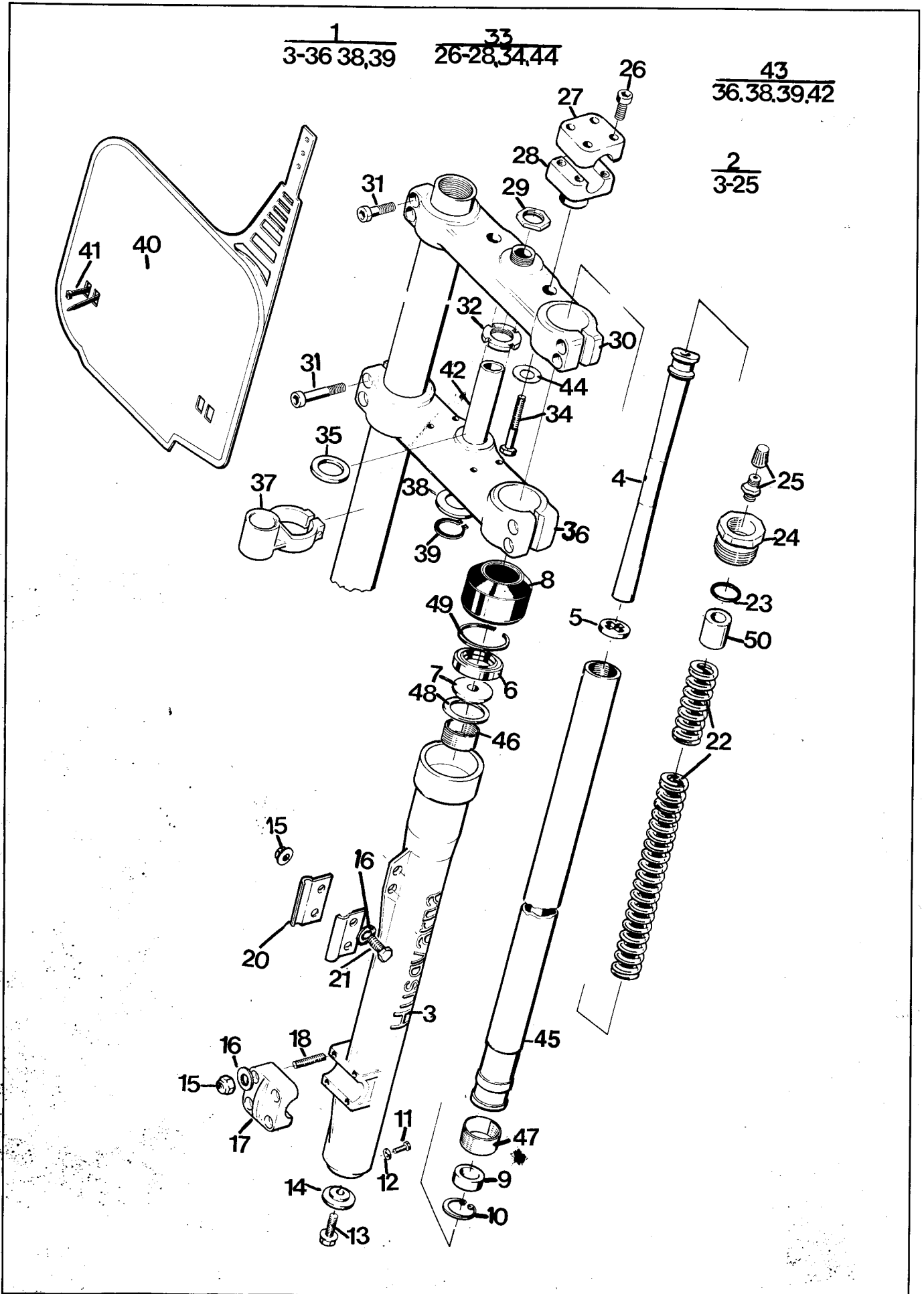


Fig.	Reservdelsnummer Sparepart number	Antal - Quantity													Benämning, Description		
		125			240		250			400		500		400			
		CR	WR	XC	CR	WR	CR	WR	XC	EU	US	WR	XC	XC			
N	1	15 12 411-01	1		1	1	1	1	1								Framgaffel kpl. Front fork compl.
N		15 12 411-02		1			1		1		1		1		1		Framgaffel kpl. Front fork compl.
N	2	15 12 412-01	2		2	2	2	2	2					2	2	2	Gaffelben kpl. Fork leg compl.
N		15 12 412-02		2		2	2	2	2		2	2					Gaffelben kpl. Fork leg compl.
N	3	15 12 413-01	2		2	2	2	2	2					2	2	2	Gaffelben, undre. Fork leg lower
N		15 12 413-02		2		2	2	2	2		2	2					Gaffelben undre. Fork leg lower
N	4	15 12 422-01	4		2	2	2	2	2					2	2	2	Dämpsspindel. Damping spindle
N		15 12 422-02	4		2	2	2	2	2		2	2					Dämpsspindel. Dampingspindel
N	5	15 12 373-01	30		2	2	2	2	2		2	2		2	2	2	Tättningsbricka. Seal washer
N	6	15 12 419-01	50		2	2	2	2	2		2	2		2	2	2	Tättningsring. Seal
N	7	15 12 376-01	4		2	2	2	2	2		2	2		2	2	2	Stödbricka. Support washer
N	8	15 12 372-01	10		2	2	2	2	2		2	2		2	2	2	Avstrykare. Scraper
N	9	15 12 398-01	4		2	2	2	2	2		2	2		2	2	2	Bottnventil. Valve ring
N	10	73 53 133-10	10		2	2	2	2	2		2	2		2	2	2	Spårring. Circlip
N	11	72 31 362-01	10		2	2	2	2	2		2	2		2	2	2	Skruv M6 x 8. Screw
N	12	16 10 823-01	10		2	2	2	2	2		2	2		2	2	2	Bricka. Washer
N	13	72 52 457-51	10		2	2	2	2	2		2	2		2	2	2	Skruv M8 x 35. Screw
N	14	15 12 161-01	4		2	2	2	2	2		2	2		2	2	2	Bricka. Washer
N	15	73 22 116-51	20		8	8	8	8	8		8	8		8	8	8	Mutter M6. Nut
N	16	73 41.153-01	20		8	8	8	8	8		8	8		8	8	8	Bricka. Washer
N	17	15 12 379-01	4		2	2	2	2	2		2	2		2	2	2	Överfall. Clamp
N	18	15 12 371-01	20		8	8	8	8	8		8	8		8	8	8	Pinnskruv. Stud
N	20	15 16 348-01	10		2	2	2	2	2		2	2		2	2	2	Slanghållare. Hose holder
N	21	72 52 368-53	10		2	2	2	2	2		2	2		2	2	2	Skruv M6 x 16. Screw
N	22	15 12 421-01	2		2	2	2	2	2		2	2		2	2	2	Fjäder. Spring
N	23	15 13 719-01	20		2	2	2	2	2		2	2		2	2	2	O-ring
N	24	15 12 410-01	4		2	2	2	2	2		2	2		2	2	2	Toppskruv. Topscrew
N	25	15 12 356-01	10		2	2	2	2	2		2	2		2	2	2	Ventil. Valve
N	26	72 55 374-01	20		8	8	8	8	8		8	8		8	8	8	Skruv M6 x 30. Screw
N	27	15 13 059-01	1		2	2	2	2	2		2	2		2	2	2	Överfall. Clamp
N	29	15 12 329-01	5		1	1	1	1	1		1	1		1	1	1	Mutter. Nut
N	30	15 12 404-01	3		1	1	1	1	1		1	1		1	1	1	Gaffelkrona övre Upper triple clamp
N	31	72 55 457-01	20		8	8	8	8	8		8	8		8	8	8	Skruv M8 x 35. Screw
N	32	15 12 327-01	5		1	1	1	1	1		1	1		1	1	1	Mutter. Nut
N	33	15 13 141-01	4		2	2	2	2	2		2	2		2	2	2	Styrhållare kpl. Handle bar retainer compl
N	34	72 52 497-81	10		2	2	2	2	2		2	2		2	2	2	Skruv M10 x 35. Screw
N	35	15 12 328-01	5		1	1	1	1	1		1	1		1	1	1	Distans. Spacer
N	37	15 12 391-01	70		1	2	1	2	1		2	2		1	1	2	Wirestyrare. Cable guide
N	38	15 12 325-01	3		1	1	1	1	1		1	1		1	1	1	Bricka. Washer
N	39	73 53 126-00	10		1	1	1	1	1		1	1		1	1	1	Spårring. Circlip
N	40	15 19 751-03	5		1		1		1					1	1	1	Nummerskylt gul. Number plate yellow
N		15 19 751-01	5														Nummerskylt vit. Number plate white
N		15 19 751-02	5														Nummerskylt grön. Number plate green
N	41	15 19 532-06	1		2	2	2	2	2		2	2		2	2	2	Buntband. Zipties
N	43	15 12 409-01	2		1	1	1	1	1		1	1		1	1	1	Gaffelkrona kpl. Lower triple clamp
N	44	73 41 173-01	10		2	2	2	2	2		2	2		2	2	2	Bricka. Washer
N	45	15 12 417-01	2		2	2	2	2	2		2	2		2	2	2	Gaffelben övre. Fork leg upper
N		15 12 417-02	2		2	2	2	2	2		2	2		2	2	2	Gaffelben övre. Fork leg upper
N	46	15 12 414-01	10		2	2	2	2	2		2	2		2	2	2	Bussning. Bushing
N	47	15 12 418-01	10		2	2	2	2	2		2	2		2	2	2	Bussning. Bushing
N	48	15 12 415-01	10		2	2	2	2	2		2	2		2	2	2	Bricka. Washer
N	49	15 12 416-01	10		2	2	2	2	2		2	2		2	2	2	Spårring. Circlip
N	50	15 12 420-01	4		2	2	2	2	2					2	2	2	Distans. Spacer
		15 12 409-02															UR XC Gaffelbricka underkompl.

OR
WR-15 12 409-02

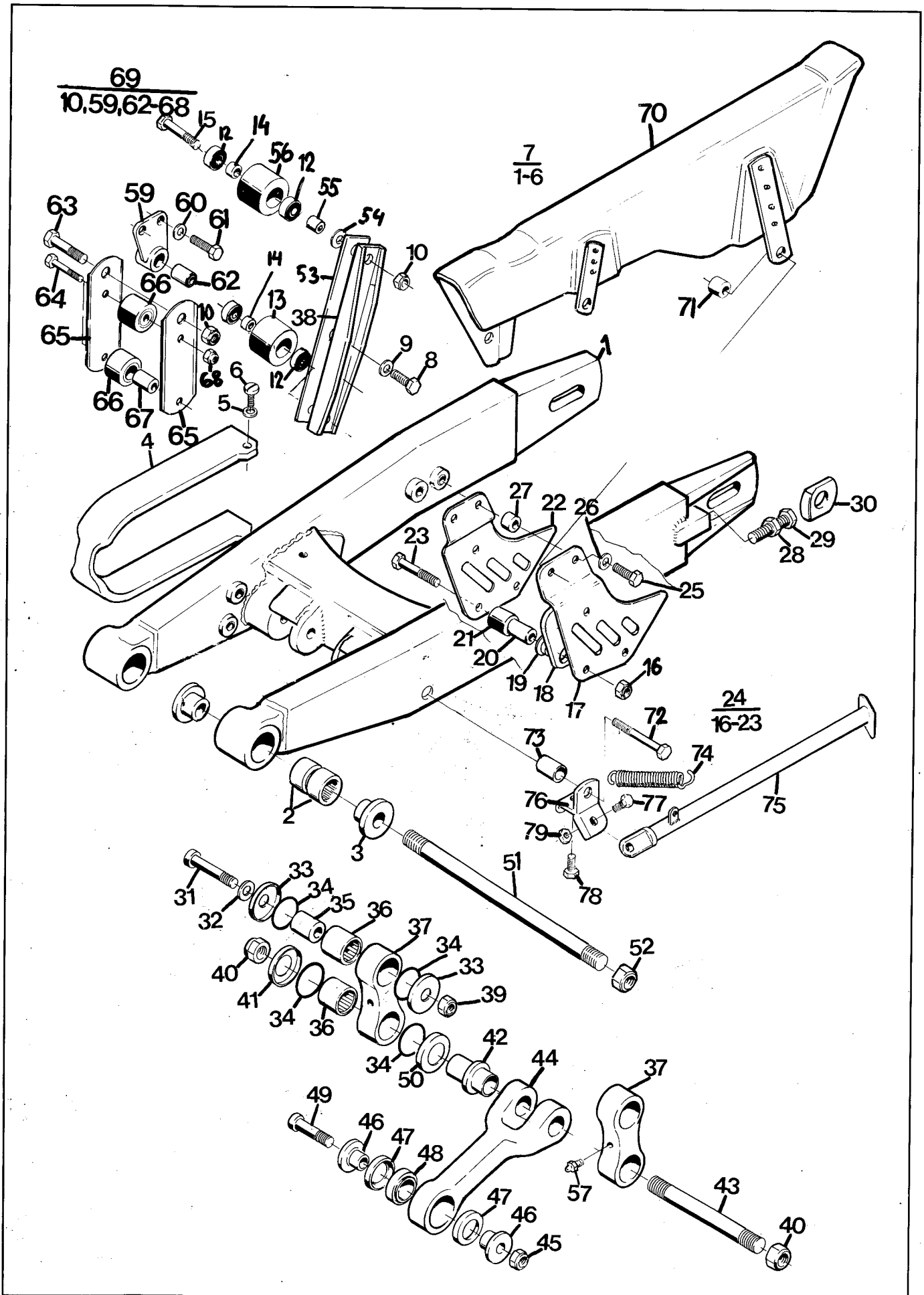


Fig.	Reservdelnummer Sparepart number	Antal - Quantity													Benämning, Description
		125			240		250			400		500		400	
		CR	WR	XC	CR	WR	CR	WR	XC	EU WR	US WR	CR	XC	XC	
2	15 11 277-01 20	4	4	4	4	4	4	4	4	4	4	4	4	4	Nållager. Needle bearing
3	15 11 278-01 20	4	4	4	4	4	4	4	4	4	4	4	4	4	Distans. Spacer
4	15 11 289-01 20	1	1	1	1	1	1	1	1	1	1	1	1	1	Slitskydd. Wear cover
5	73 44 926-01 20	2	2	2	2	2	2	2	2	2	2	2	2	2	Bricka. Washer
6	72 31 366-01 20	2	2	2	2	2	2	2	2	2	2	2	2	2	Skruv M6 x 12. Screw
7	15 11 417-01 1	1			1		1		1			1		1	Bakgaffel kpl. Swing arm compl.
	15 11 417-02 1		1	1		1		1	1	1	1	1	1	1	Bakgaffel kpl. Swing arm compl.
8	72 52 451-51 10	2	2	2	2	2	2	2	2	2	2	2	2	2	Skruv M6 x 16. Screw
9	73 41 164-01 10	2	2	2	2	2	2	2	2	2	2	2	2	2	Bricka. Washer
10	73 22 118-01 10	2	2	2	2	2	2	2	2	2	2	2	2	2	Mutter M8. Nut
11	73 44 966-03	2	2	2	2	2	2	2	2	2	2	2	2	2	Bricka. Washer
12	73 82 198-04 20	4	4	4	4	4	4	4	4	4	4	4	4	4	Lager. Bearing
13	15 11 310-01 20	1	1	1	1	1	1	1	1	1	1	1	1	1	Rulle. Roller
14	15 11 311-01 10	2	2	2	2	2	2	2	2	2	2	2	2	2	Distans. Spacer
15	72 52 459-51 10	2	2	2	2	2	2	2	2	2	2	2	2	2	Skruv M8 x 36. Screw
16	15 13 706-01 10	3	3	3	3	3	3	3	3	3	3	3	3	3	Mutter M6. Nut
18	15 11 288-01 20	2		2	2		2		2		2		2		Slitskydd. Wear plate
19	15 11 313-01 20	6		6	6		6		6		6		6		Distans. Spacer
20	15 11 286-01 20	3		3	3		3		3		3		3		Distans. Spacer
21	15 11 317-01 30	3		3	3		3		3		3		3		Rulle. Roller
23	72 52 380-51 10	3		3	3		3		3		3		3		Skruv M6 x 50. Screw
24	15 11 447-01 3	1			1		1				1				Kedjestyrrare kpl. Chain guide compl.
25	72 52 459-51 10	2			2		2				2				Skruv M8 x 30. Screw
26	73 41 164-01 10	2		2	2		2		2		2		2		Bricka. Washer
27	15 15 424-01 10	2			2		2				2				Distans. Spacer
28	73 14 318-01 10	2		2	2		2		2		2		2		Mutter M8. Nut
29	72 52 461-71 10	2		2	2		2		2		2		2		Skruv M8 x 50. Screw
30	15 16 867-01 10	2		2	2		2		2		2		2		Spänbricka. Washer
31	72 55 502-51 10	2	1	1	2	1	2	1	1	1	1	2	1	1	Skruv M10 x 60. Screw
	72 52 509-81 20		1	1				1	1	1	1		1	1	Skruv M10 x 90. Screw
32	73 41 171-01 10	2	1	1	2	1	2	1	1	1	1	2	1	1	Bricka. Washer
33	15 11 241-01 20	4	4	4	4	4	4	4	4	4	4	4	4	4	Skyddsbricka. Washer
34	15 11 242-01 20	8	8	8	8	8	8	8	8	8	8	8	8	8	X-ring
35	15 11 240-01 10	2	2	2	2	2	2	2	2	2	2	2	2	2	Distans. Spacer
36	15 11 428-01 20	4	4	4	4	4	4	4	4	4	4	4	4	4	Nållager. Needle bearing
37	15 11 427-01 10	2	2	2	2	2	2	2	2	2	2	2	2	2	Länk. Link
38	15 11 312-02 5	1		1	1		1		1		1		1	1	Fästplåt. Mounting plate
	15 11 395-02 5		1				1		1		1		1		Fästplåt. Mounting plate
39	73 22 120-01 10	2	2	2	2	2	2	2	2	2	2	2	2	2	Mutter M10. Nut
40	15 11 249-01 10	2	2	2	2	2	2	2	2	2	2	2	2	2	Mutter M14 x 1.25. Nut
41	15 11 241-02 20	2	2	2	2	2	2	2	2	2	2	2	2	2	Skyddsbricka. Washer
42	15 11 243-01 10	2	2	2	2	2	2	2	2	2	2	2	2	2	Distans. Spacer
43	15 11 248-02 5	1	1	1	1	1	1	1	1	1	1	1	1	1	Axel. Shaft
44	15 11 254-01 2	1	1	1	1	1	1	1	1	1	1	1	1	1	Länk. Link
45	15 13 705-01 10	1	1	1	1	1	1	1	1	1	1	1	1	1	Mutter M12. Nut
46	15 11 258-01 10	2	2	2	2	2	2	2	2	2	2	2	2	2	Distans. Spacer
47	15 11 257-01 10	2	2	2	2	2	2	2	2	2	2	2	2	2	Tätning. Seal
48	15 11 256-01 5	1	1	1	1	1	1	1	1	1	1	1	1	1	Kulled. Ball Joint
49	15 11 244-01 10	1	1	1	1	1	1	1	1	1	1	1	1	1	Skruv M12 x 1. Screw
50	15 11 241-03 20	2	2	2	2	2	2	2	2	2	2	2	2	2	Skyddsbricka. Washer
51	15 11 248-01 5	1	1	1	1	1	1	1	1	1	1	1	1	1	Axel. Shaft
52	15 11 249-01 10	2	2	2	2	2	2	2	2	2	2	2	2	2	Mutter. Nut
53	15 11 452-01 10	1		1	1		1		1		1		1	1	Slitskydd. Wear plate
54	15 11 313-02 10	2		2	2		2		2		2		2	2	Bricka. Washer
55	15 11 453-01 10	2		2	2		2		2		2		2	2	Distans. Spacer
56	15 11 310-02 10	1		1	1		1		1		1		1	1	Rulle. Roller
57	73 88 810-01 10	2	2	2	2	2	2	2	2	2	2	2	2	2	Smörjnippel. Grease fitting
58	15 17 850-01 10		2				2		2		2		2		Dekal Enduro. Decal
	15 17 850-02 10			2				2		2			2		Dekal Cross Country. Decal
	15 17 850-03 10	2			2		2				2			2	Dekal Motocross. Decal
59	15 15 500-01 3		1			1		1		1		1			Fäste kedjestyrrare. Att. chain guide
60	73 41 164-01 10		2			2		2		2		2			Bricka. Washer

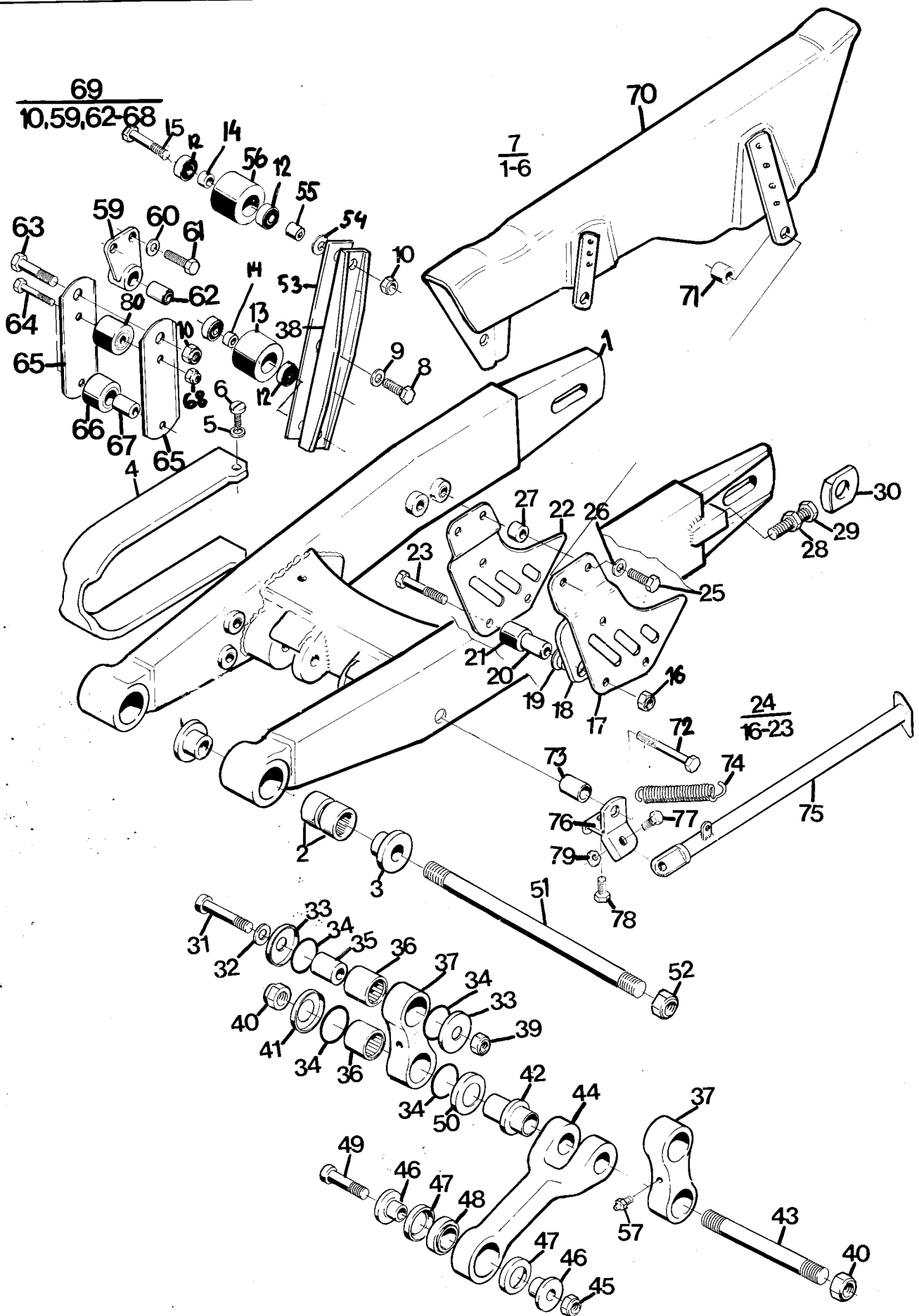
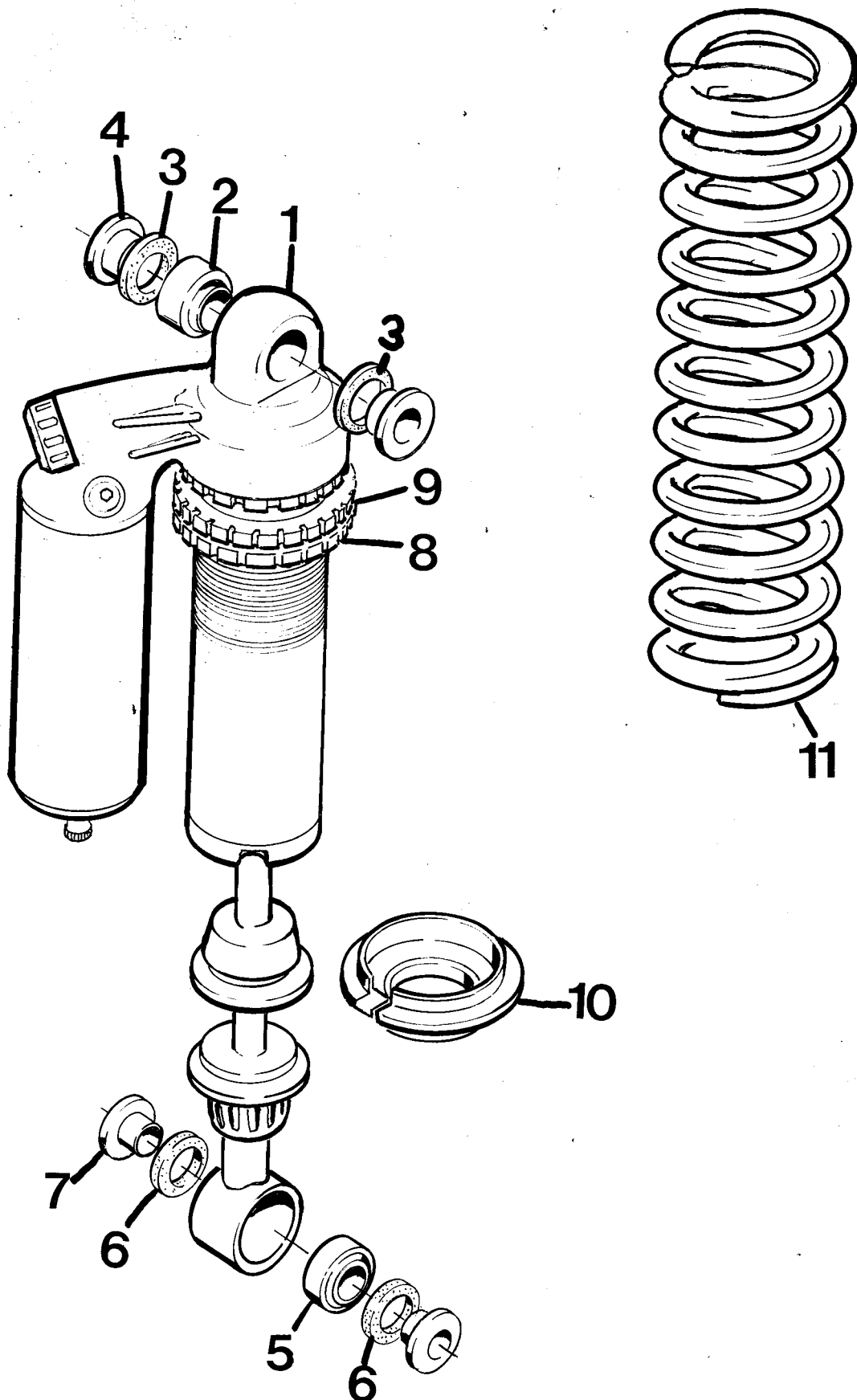


Fig.	Reservdelsnummer Sparepart number	Antal - Quantity												Benämning, Description		
		125			240		250			400		500			400	
		CR	WR	XC	CR	WR	CR	WR	XC	EU WR	US WR	CR	XC		XC	
61	72 52 451-51 10		2			2		2		2	2					Skruv M8 x 20. Screw
62	15 15 506-01 10		1			1		1		1	1					Bussning. Bushing
63	72 52 457-51 10		1			1		1		1	1					Skruv M8 x 35. Screw
64	72 52 376-51 10		2			2		2		2	2					Skruv M6 x 35. Screw
66	15 11 317-01 30		2			2		2		2	2					Rulle. Roller
67	15 15 413-01 30		2			2		2		2	2					Distans. Spacer
68	73 22 116-01 10		2			2		2		2	2					Mutter M6. Nut
69	15 15 505-01 3		1			1		1		1	1					Kedjestyrare kpl. Chain guide compl.
70	15 18 227-02 5		1			1		1		1	1					Kedjeskydd Chainguard
71	15 15 457-01 5		1			1		1		1	1					Distans. Spacer
72	72 52 509-81 10		1	1		1		1	1	1	1		1	1		Skruv M10 x 90. Screw
73	15 15 542-01 5		1			1		1		1	1					Distans. Spacer
	15 15 542-02			1				1					1	1		Distans. Spacer
74	15 10 442-02 10		1	1		1		1	1	1	1		1	1		Fjäder. Spring
75	15 10 604-04 2		1	1		1		1	1	1	1		1	1		Parkeringsstöd Parking rest
76	15 15 553-01 2		1	1		1		1	1	1	1		1	1		Fäste. Attachment
77	72 52 455-51 10		1	1		1		1	1	1	1		1	1		Skruv M8 x 30. Screw
78	72 52 451-51 10		1	1		1		1	1	1	1		1	1		Skruv M8 x 20. Screw
79	15 13 707-01 10		1	1		1		1	1	1	1		1	1		Mutter M8. Nut

$\frac{12}{1-10}$



Öhlins Teile - Original

Fig.	Reservdelsnummer Sparepart number	Antal - Quantity													Benämning, Description
		125			240		250			400		500		400	
		CR	WR	XC	CR	WR	CR	WR	XC	EU WR	US WR	CR	XC	XC	
2	15 11 332-01 5	1		1	1			1					1	1	Kulled, Ball Joint
3	15 11 334-01 10	2		2	2			2					2	2	Tätning, Seal
4	15 11 333-01 10	2		2	2			2					2	2	Distans, Spacer
5	15 11 256-01 5	1		1	1			1					1	1	Kulled, Ball Joint
6	15 11 257-01 10	2		2	2			2					2	2	Tätning, Seal <i>834-01 04</i>
7	15 11 258-02 10	2		2	2			2					2	2	Distans, Spacer <i>838-01 04</i>
8	15 11 329-01 ~	1		1	1			1					1	1	Justermutter, Preload adjuster
9	15 11 328-01 ~	1		1	1			1					1	1	Justermutter, Preload adjuster
10	15 11 331-01 ~	1		1	1			1					1	1	Fjäderclips, Springclip
N	11 15 11 325-05 ~	1	1	1											Fjäder 5.8N/mm ² svart, vit, svart. Spring black, white, black
N	15 11 325-06				1	1	1	1							Fjäder 6.0N/mm ² blå, violett, blå. Spring blue, purple, blue
N	15 11 325-07								1	1	1	1	1	1	Fjäder 6.2N/mm ² blå, svart, blå. Spring blue, black, blue
N	15 11 325-08														Fjäder 64N/mm ² blå, blå, blå. blue, blue, blue
N	15 11 325-04														Fjäder 56N/mm ² Svart, röd, svart. Spring black, red, black
N	12 15 11 460-01	1		1	1			1							Stötdämpare utan fjäder, Shock absorber without spring
N	15 11 460-02												1	1	Stötdämpare utan fjäder Shock absorber without spring
N	15 11 460-03 <i>WR</i>	<i>1</i>	<i>1</i>				<i>1</i>		<i>1</i>	<i>1</i>					Stötdämpare utan fjäder Shock absorber without spring
N															Stötdämpare utan fjäder Shock absorber without spring

Öhlins Teile!

WR
Dämpare ohne Federn

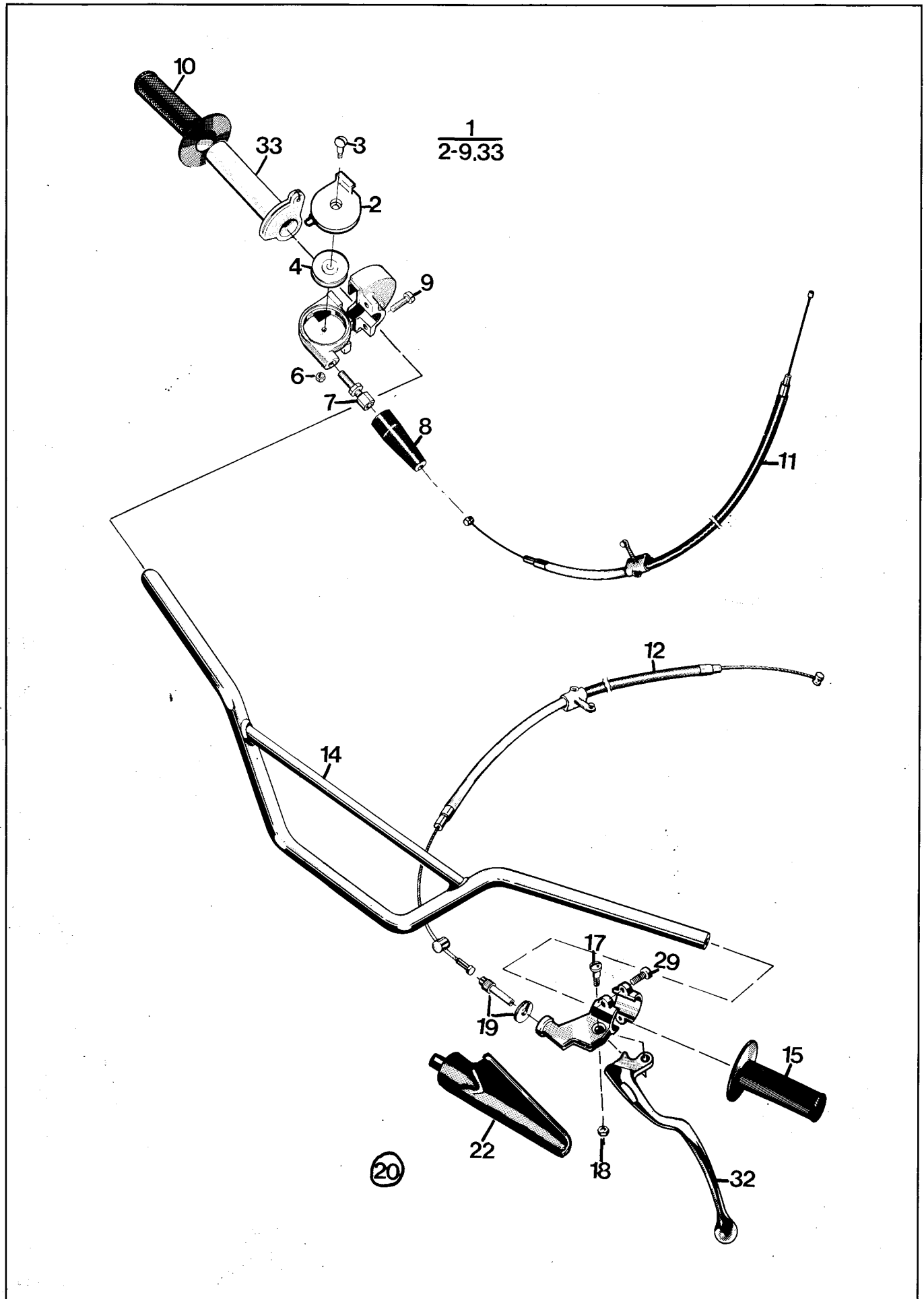


Fig.	Reservdelsnummer Sparepart number	Antal - Quantity													Benämning, Description
		125			240		250			400		500		400	
		CR	WR	XC	CR	WR	CR	WR	XC	EU WR	US WR	CR	XC	XC	
Z Z	1 15 15 325-01 —	1	1	1	1	1	1	1	1	1	1			1	Gashandtag, kpl. Throttle handle compl.
	15 15 325-02 —												1	1	Gashandtag, kpl. Throttle handle compl.
Z	2 15 15 326-01 —	1	1	1	1	1	1	1	1	1	1	1	1	1	Skyddslock Protect washer
Z	3 15 15 322-01 —	1	1	1	1	1	1	1	1	1	1	1	1	1	Skruv Screw
Z	4 15 15 283-01 —	1	1	1	1	1	1	1	1	1	1	1	1	1	Brytrulle Plastic roller
Z	6 73 22 112-01 —	1	1	1	1	1	1	1	1	1	1	1	1	1	Låsmutter M4 Nut
Z	7 15 15 261-01 —	1	1	1	1	1	1	1	1	1	1	1	1	1	Justernippel Nipple
Z	8 15 15 262-01 —	1	1	1	1	1	1	1	1	1	1	1	1	1	Skyddshylsa Protecting sleeve
Z	9 72 31 329-51 —	2	2	2	2	2	2	2	2	2	2	2	2	2	Skruv M5 x 16 Screw
Z	10 15 15 266-01 —	1	1	1	1	1	1	1	1	1	1	1	1	1	Gummihandtag, höger Rubber handle right
	11 15 15 277-01 30	1	1	1	1	1	1	1	1	1				1	Gaswire, kpl.
	15 15 277-02 20												1	1	Throttle wire
	12 15 15 308-03 10	1	1	1	1	1	1	1	1	1	1	1	1	1	Frikopplingswire, kpl.
	15 15 308-02 30														Declutching wire
	14 15 13 148-01 5	1	1	1	1	1	1	1	1	1	1	1	1	1	Styrstång Handle bar
Z	15 15 15 265-01 —	1	1	1	1	1	1	1	1	1	1	1	1	1	Gummihandtag, vänster Rubber handle left
Z	17 12 13 810-01 —	1	1	1	1	1	1	1	1	1	1	1	1	1	Ansatsskruv Screw
Z	18 73 14 316-01 —	1	1	1	1	1	1	1	1	1	1	1	1	1	Mutter Nut
Z	19 12 13 821-01 —	1	1	1	1	1	1	1	1	1	1	1	1	1	Kabelspännskruv Cable adjusting screw
Z	20 15 15 314-01 —	1	1	1	1	1	1	1	1	1	1	1	1	1	Kopplingshandtag, kpl. Declutching handle compl.
Z	22 15 13 074-01 —	1	1	1	1	1	1	1	1	1	1	1	1	1	Handtagsskydd Handle protector
Z	29 72 31 368-01 —	2	2	2	2	2	2	2	2	2	2	2	2	2	Skruv Screw
	30 15 15 809-01 10	1	1	1	1	1	1	1	1	1	1	1	1	1	Hållare Ventilations slang Holder Ventilation hose

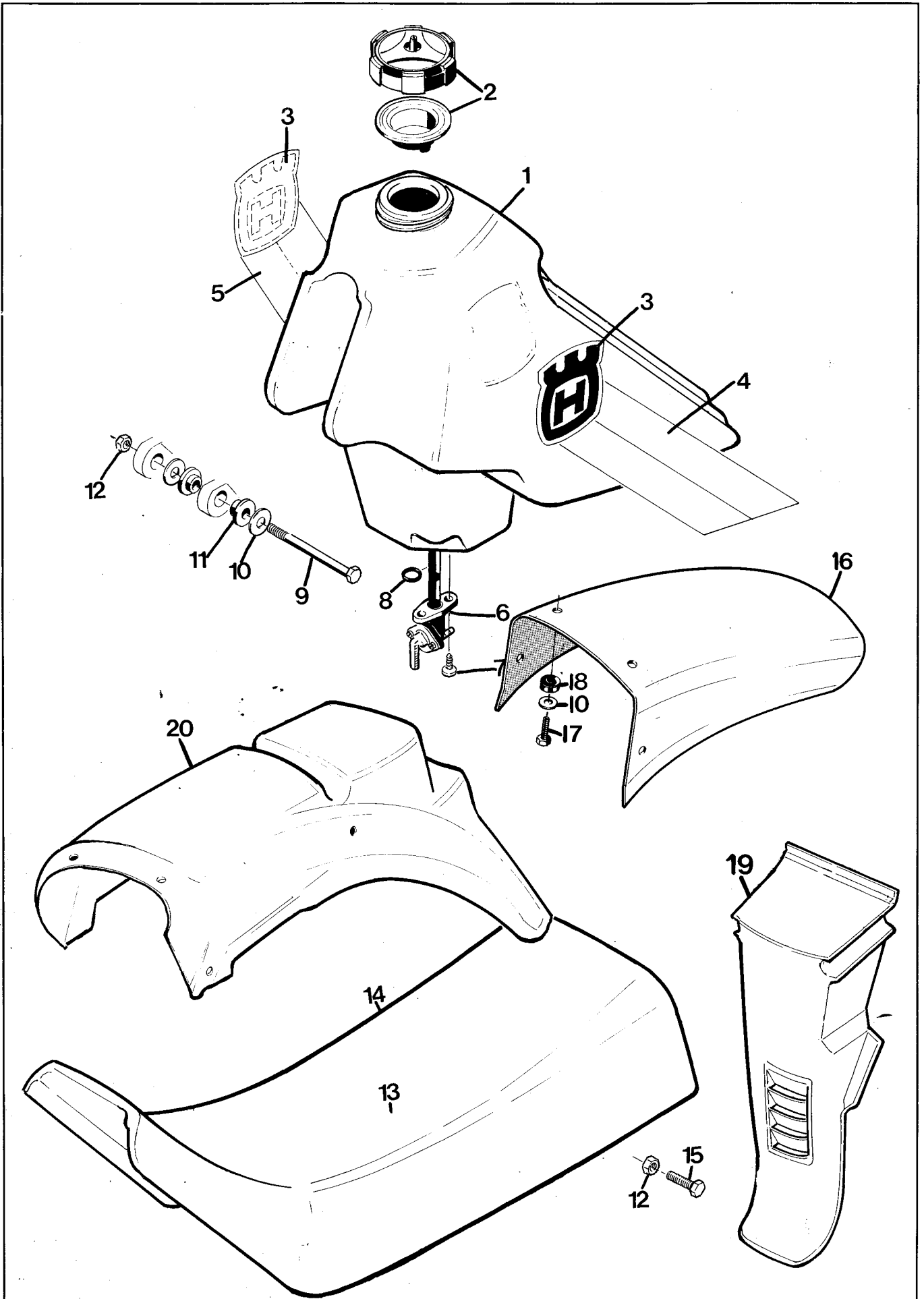


Fig.	Reservdelsnummer Sparepart number	Antal - Quantity												Benämning, Description		
		125			240		250			400		500			400	
		CR	WR	XC	CR	WR	CR	WR	XC	EU WR	US WR	CR	XC		XC	
N	1	15 13 935-01 / 1	1	1	1	1	1	1			1		1			Bensintank. Petrol tank
N		15 13 935-02						1	1			1		1	1	Bensintank. Petrol tank
	2	15 14 108-01 5	1	1	1	1	1	1	1	1	1	1	1	1	1	Tanklock. Cap
	3	15 14 120-02 20	2	2	2	2	2	2	2	2	2	2	2	2	2	Dekal. Decal
N	4	15 15 833-01 20	1	1	1	1	1	1			1		1			Dekal. Decal Tankaufkleber
N		15 15 831-01						1	1			1		1	1	15 15 831-01
N	5	15 15 835-01	1	1	1	1	1					1		1	1	Dekal. Decal
N		15 15 830-01						1	1			1		1	1	Dekal. Decal
	6	15 14 109-01 5	1	1	1	1	1	1	1	1	1	1	1	1	1	Bensinkran. Petlock
	7	15 14 110-01 10	2	2	2	2	2	2	2	2	2	2	2	2	2	Skruv. Screw
	8	74 04 811-02 10	1	1	1	1	1	1	1	1	1	1	1	1	1	O-ring
N	9	15 13 747-01 10	1	1	1	1	1	1	1	1	1	1	1	1	1	Skruv M6 x 160. Screw
	10	15 13 709-01 20	2	2	2	2	2	2	2	2	2	2	2	2	2	Bricka. Washer
	11	15 14 107-01 20	4	4	4	4	4	4	4	4	4	4	4	4	4	Bussning. Bushing
	12	15 13 706-01 10	3	3	3	3	3	3	3	3	3	3	3	3	3	Mutter. Nut
	13	15 13 581-01 1	1	1	1	1	1	1	1	1	1	1	1	1	1	Sadel. Seat
	14	15 13 582-01 5														Sadelöverdrag. Seat cover
	15	72 52 374-51 10	2	2	2	2	2	2	2	2	2	2	2	2	2	Skruv M6 x 30. Screw
	16	15 13 587-01 10	1		1	1		1		1		1	1	1	1	Bakskärm. Fender
	17	72 52 370-53 10	4	4	4	4	4	4	4	4	4	4	4	4	4	Skruv M6 x 20. Screw
	18	15 18 121-01 10	4	4	4	4	4	4	4	4	4	4	4	4	4	Gummibricka. Rubber washer
N	19	15 13 746-01 10	1	1	1	1	1	1	1	1	1	1	1	1	1	Stänkskydd. Splash guard
N	20	15 18 193-01 5		1		1		1		1		1		1	1	Bakskärm. Fender
	21	15 14 078-02														Entlüftungsschlauch,
	22	15 15 809-01														Tankdeckel Halter an Lenker f. Entlüftungsschlauch

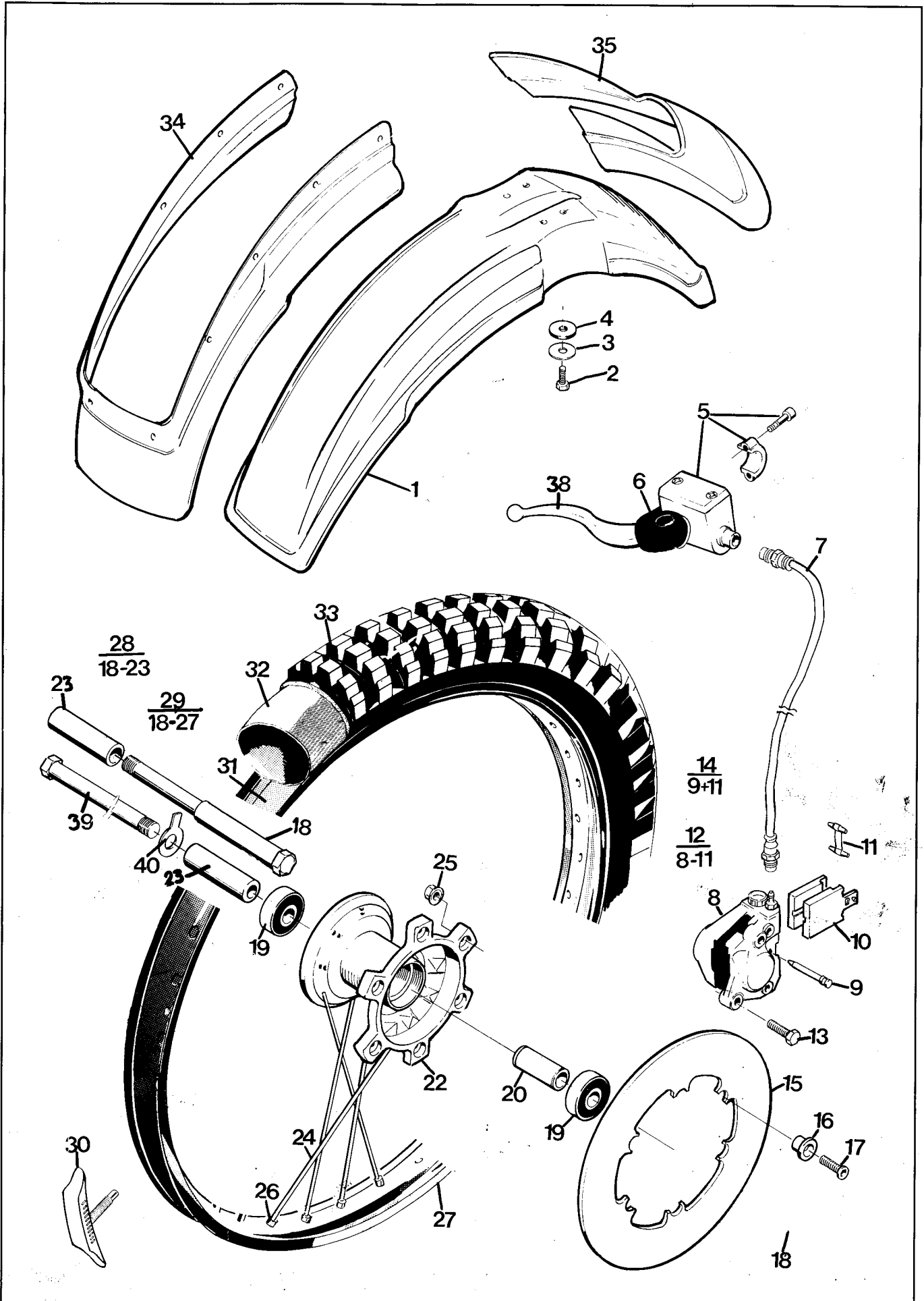


Fig.	Reservdelnummer Sparepart number	Antal - Quantity												Benämning, Description	
		125			240		250			400		500			400
		CR	WR	XC	CR	WR	CR	WR	XC	EU WR	US WR	CR	XC		XC
1	15 18 047-02 10	1	1	1	1	1	1	1	1	1	1	1	1	1	Skärm, Fender
2	72 55 372-01 10	4	4	4	4	4	4	4	4	4	4	4	4	4	Skruv M6 x 25, Screw
3	15 13 709-01 20	8	8	8	8	8	8	8	8	8	8	8	8	8	Bricka, Washer
4	15 18 121-01 20	8	8	8	8	8	8	8	8	8	8	8	8	8	Gummibricka, Rubber washer
5	15 16 343-01 3 15 16 353-01 2	1	1	1	1	1	1	1	1	1	1	1	1	1	Huvudcylinder, Master cylinder Huvudcylinder Europa, fäste för bromsljuskontakt Master cylinder Europe, Attach- ment for brakelight switch
6	15 16 345-01 5	1	1	1	1	1	1	1	1	1	1	1	1	1	Bälg, Cover
7	15 16 332-01 10 15 16 332-02 5	1	1	1	1	1	1	1	1	1	1	1	1	1	Bromssläng. Brake hose Bromssläng. Brake hose
10	15 16 328-01 20	2	2	2	2	2	2	2	2	2	2	2	2	2	Bromsbelägg, Brake pads
12	15 16 327-01 1	1	1	1	1	1	1	1	1	1	1	1	1	1	Bromscylinder KPL. Brake cylinder compl.
13	15 13 741-01 10	2	2	2	2	2	2	2	2	2	2	2	2	2	Skruv M8 x 25, Screw
14	15 17 791-01 3	1	1	1	1	1	1	1	1	1	1	1	1	1	Låsinnesats, Lockpin kit
15	15 16 325-01 2	1	1	1	1	1	1	1	1	1	1	1	1	1	Bromsskiva, Disc
16	15 16 326-01 20	6	6	6	6	6	6	6	6	6	6	6	6	6	Distans, Spacer
17	72 56 374-55 20	6	6	6	6	6	6	6	6	6	6	6	6	6	Skruv M6 x 30, Screw
18	15 16 338-01 2	1	1	1	1	1	1	1	1	1	1	1	1	1	Axel, Shaft
19	72 82 302-34 10	2	2	2	2	2	2	2	2	2	2	2	2	2	Lager, Bearing
20	15 16 350-01 2	1	1	1	1	1	1	1	1	1	1	1	1	1	Distans, Spacer
22	15 16 324-01 1	1	1	1	1	1	1	1	1	1	1	1	1	1	Navhylsa, Hub sleeve
23	15 16 342-01 3	1	1	1	1	1	1	1	1	1	1	1	1	1	Mutter, Nut
24	15 16 321-01 36	36	36	36	36	36	36	36	36	36	36	36	36	36	Eker, Spoke <i>sate!</i>
25	15 13 706-01 10	6	6	6	6	6	6	6	6	6	6	6	6	6	Mutter M6, Nut
26	15 16 219-01 36	36	36	36	36	36	36	36	36	36	36	36	36	36	Nippel <i>sate!</i>
27	15 16 320-01 3	1	1	1	1	1	1	1	1	1	1	1	1	1	Fälg 1.60 x 21, Rin
28	15 16 323-01 1	1	1	1	1	1	1	1	1	1	1	1	1	1	Framnav KPL, Front hub compl. <i>Nobe kompl.</i>
29	15 16 319-01 2	1	1	1	1	1	1	1	1	1	1	1	1	1	Framhjul KPL, Front wheel compl.
30	15 16 144-01 10	1	1	1	1	1	1	1	1	1	1	1	1	1	Däcklås, Rimlock
31	15 16 029-01 1	1	1	1	1	1	1	1	1	1	1	1	1	1	Fälgband, Rimband
32	15 16 028-01 1	1	1	1	1	1	1	1	1	1	1	1	1	1	Innerslang, Tube
33	15 16 907-01 1 15 16 257-01 1	1	1	1	1	1	1	1	1	1	1	1	1	1	Däck 90/90x21 Metzeler MXR Däck 3.00 x 21 Trelleborg Deep Grip
34	15 18 050-01 10	1	1	1	1	1	1	1	1	1	1	1	1	1	Skärmbreddare, Widener
35	15 18 049-01 10	1	1	1	1	1	1	1	1	1	1	1	1	1	Skärmlängare, Lengthener
36	15 17 780-01 5	1	1	1	1	1	1	1	1	1	1	1	1	1	Ekersats, Spoke kit
37	15 19 902-01 5	1	1	1	1	1	1	1	1	1	1	1	1	1	Nippelsats, Nipple kit
38	15 16 346-02 3 15 16 357-01 3	1	1	1	1	1	1	1	1	1	1	1	1	1	Bromshandtag. Brake handle Bromshandtag. Brake handle
39	15 16 351-01 3	1	1	1	1	1	1	1	1	1	1	1	1	1	Axel. Shaft
40	15 16 355-01 10	1	1	1	1	1	1	1	1	1	1	1	1	1	Låsbricka. Washer
41	15 16 347-01 1 15 16 347-02 1	1	1	1	1	1	1	1	1	1	1	1	1	1	Skydd skivbroms Discbrake cover <i>Scheibenbremse Schutz Acorn</i>

13
11,14,21

6
11-21,23-34

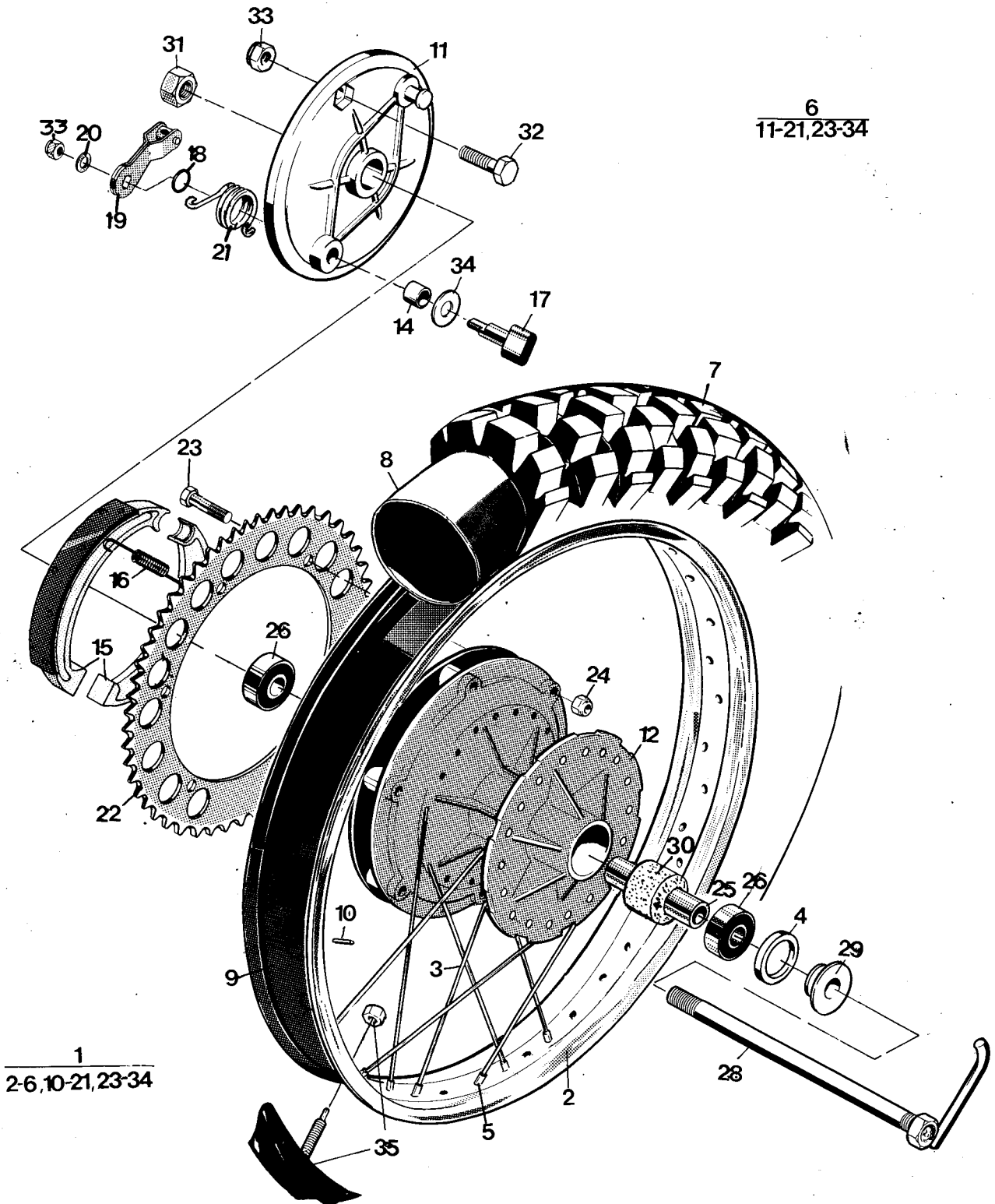


Fig.	Reservdelsnummer Sparepart number	Antal - Quantity												Benämning, Description		
		125			240		250			400		500			400	
		CR	WR	XC	CR	WR	CR	WR	XC	EU WR	US WR	CR	XC		XC	
1	15 16 888-01 <i>13</i> 15 16 888-03 <i>1</i>		1	1		1		1	1		1	1		1	1	Hjul, kpl. exkl. gummi Wheel compl. exkl. rubber
2	15 16 827-01 <i>3</i>		1	1				1		1	1				1	Fälg. Rim
3	15 16 828-02 <i>10</i>			36		36		36						36		Eker. Spoke <i>Satz</i>
4	15 13 718-01 <i>10</i>		1	1		1		1	1	1	1			1	1	Tättring. Seal
5	15 16 829-01 <i>10</i>		36	36		36		36	36	36	36			36	36	Ekernippel. Spoke nipple <i>Satz</i>
6	15 16 889-01 <i>2</i>		1	1		1		1	1	1	1			1	1	Baknav kpl. utan kedjedrev Rear hub compl.
7	15 16 839-01 <i>10</i> 15 16 900-01 <i>10</i> 15 16 883-01 <i>10</i> 15 16 848-01 <i>10</i> 15 16 885-01 <i>10</i>		1			1			1	1				1	1	Däck 4.50 x 18 Trelleborg Tenmaster. Tyre Däck 4.10 x 18 Metzeler Multi Cross. Tyre Däck 4.50 x 18 Metzeler motocross. Tyre Däck 5.00 18 Trelleborg Tenmaster. Tyre Däck 4.50 x 18 Metzeler Multi Cross. Tyre
8	15 16 508-01 <i>10</i>		1	1		1		1	1	1	1			1	1	Innerslang 18". Innertube
9	15 16 029-01 <i>10</i>		1	1		1		1	1	1	1			1	1	Fälgband. Rimband
12	15 16 854-01 <i>10</i>		1	1		1		1	1	1	1			1	1	Navhylsa. Hub sleeve
13	15 16 891-01 <i>10</i>		1	1		1		1	1	1	1			1	1	Bromssköld, kpl. Brake plate compl.
14	15 16 837-01 <i>5</i>		1	1		1		1	1	1	1			1	1	Bussning. Bushing
15	15 16 543-01 <i>20</i>		1	1		1		1	1	1	1			1	1	Bromsback kpl. Brake shoe
16	15 16 547-01 <i>20</i>		2	2		2		2	2	2	2			2	2	Fjäder. Spring
17	15 16 886-01 <i>3</i>		1	1		1		1	1	1	1			1	1	Bromsexcenter Brake cam
18	15 16 299-01 <i>10</i>		1	1		1		1	1	1	1			1	1	O-ring
19	15 16 723-02 <i>5</i>		1	1		1		1	1	1	1			1	1	Hävarm. Lever
20	73 41 164-01 <i>10</i>		1	1		1		1	1	1	1			1	1	Bricka 8.4 x 17. Washer
21	15 15 535-01 <i>10</i>		1	1		1		1	1	1	1			1	1	Fjäder. Spring
22	15 16 892-01 <i>10</i> 15 16 892-03 <i>10</i> 15 16 892-02 <i>10</i> 15 16 892-04 <i>10</i> 15 16 892-05 <i>10</i>		1			1			1	1				1	1	Kedjkrans z=48. Sprocket Kedjkrans z=52. Sprocket Kedjkrans z=50. Sprocket Kedjkrans z=54. Sprocket Kedjkrans z=56. Sprocket
23	15 16 893-01 <i>30</i>		6	6		6		6	6	6	6			6	6	Skruv. Screw
24	73 22 118-01 <i>30</i>		6	6		6		6	6	6	6			6	6	Låsmutter. Nut
25	15 16 752-01 <i>2</i>		1	1		1		1	1	1	1			1	1	Distanshylsa. Distance sleeve
26	73 82 302-34 <i>10</i>		2	2		2		2	2	2	2			2	2	Kullager. Ball bearing
28	15 15 540-01 <i>2</i>		1	1		1		1	1	1	1			1	1	Bakaxel kpl. Shaft
29	15 16 866-01 <i>5</i>		1	1		1		1	1	1	1			1	1	Distans. Spacer
30	15 16 300-01 <i>5</i>		1	1		1		1	1	1	1			1	1	Distanshållare Space holder
31	15 16 598-01 <i>10</i>		1	1		1		1	1	1	1			1	1	Mutter. Nut
34	15 16 836-01 <i>5</i>		1	1		1		1	1	1	1			1	1	Bricka. Washer
35	15 16 772-01 <i>10</i> 15 19 952-01 15 19 938-01			2				2						2	2	Däcklås. Tyre lock Ekersats. Spoke unit Nippelsats 36 st. Nipple kit 36 pcs

1
2-6
6
12-22,24-35
13
14-16,35

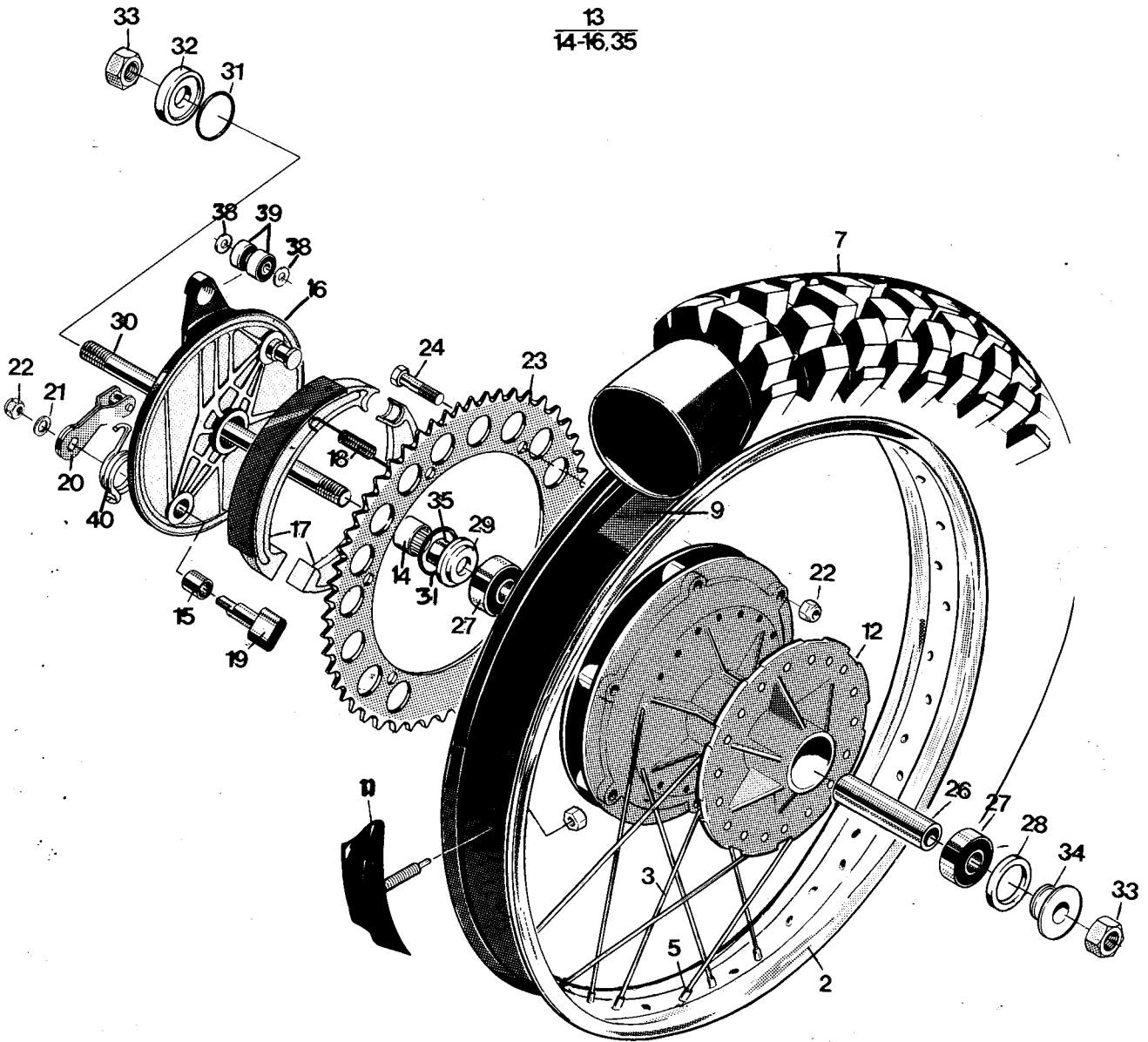


Fig.	Reservdelsnummer Sparepart number	Antal - Quantity													Benämning, Description		
		125			240		250			400		500		400			
		CR	WR	XC	CR	WR	CR	WR	XC	EU WR	US WR	CR	XC	XC			
1	15 17 812-01 15 17 813-01	1			1		1								1		Hjul, kpl. exkl gummi Wheel compl. excl. rubber
2	15 16 827-01 15 16 872-01	1			1		1								1		Fälg Rim
3	15 16 828-02	36			36		36								36		Eker. Spoke <i>So 72</i>
5	15 16 829-01	36			36		36								36		Ekernippel. Spoke nipple <i>So 72</i>
6	15 17 809-01	2			1		1								1		Baknav, kpl. utan kedjedrev Rear hub compl.
N	15 16 903-01	1			1		1										Däck 4.60 x 18" Metzeler Perfect cross hard, tyre
N	15 16 905-01	1													1		Däck 5.10 x 18" Metzeler Perfect cross hard, tyre
8	15 16 508-01	1			1		1								1		Innerslang. Innertyre
9	15 16 029-01	1			1		1								1	1	Fälgband. Rimband
11	15 16 874-01 15 16 772-01	2			2		2								2		Däcklås kpl. Tyre lock
12	15 16 817-01	1			1		1								1		Navhylsa kpl Hub sleeve
13	15 15 522-01	5			1		1								1		Bromssköld, kpl. Brake plate compl.
N	15 11 428-01	10			1		1								1		Nållager Needle bearing
15	15 16 859-01	5			1		1								1		Bussning. Bushing
17	15 16 788-02	20			2		2								2		Bromsback. Brake shoe
18	15 16 547-01	20			2		2								2		Fjäder, bromsback. Spring
19	15 15 514-01	5			1		1								1		Bromsexcenter. Brake cam
20	15 16 723-01	5			1		1								1		Håvarm. Lever
21	73 41 164-01	5			1		1								1		Bricka 8.4 x 17. Washer
22	73 22 118-01	7			7		7								7		Låsmutter M8. Nut
N	15 16 892-03	20			1		1								1		Kedjekrans 52T. Sprocket
24	72 52 460-51	30			6		6								6		Skruv M8 x 45. Screw
26	15 16 752-01	2			1		1								1		Distanshylsa. Distance sleeve
27	73 82 302-34	10			2		2								2		Kullager. Ball bearing
28	15 13 718-01	10			1		1								1		Tätning. Seal
29	15 15 523-01	5			1		1								1		Distans. Spacer
30	15 15 524-01	3			1		1								1		Bakaxel. Shaft
31	15 11 242-01	10			2		2								2		X-ring
32	15 15 519-01	5			1		1								1		Tätningshållare. Seal case
33	15 16 598-01	10			2		2								2		Mutter. Nut
34	15 16 866-01	5			1		1								1		Distans, vänster. Distance
35	15 15 518-01	10			1		1								1		Innerhylsa. Spacer
36	15 16 300-01	1			1		1								1		Distanshållare. Space holder
37	15 13 371-01	1			1		1								1		Mutter M8. Nut
38	73 41 153-41	5			2		2								2		Bricka. Washer
39	73 82 296-19	10			2		2								2		Kullager. Bearing
40	15 15 515-01	10			1		1								1		Fjäder. Spring
41	15 13 371-01	1			1		1								1		Mutter M8. Nut
42	15 16 836-01	1			1		1								1		Bricka. Washer
43	15 16 299-01	1			1		1								1		Distanshållare Space holder

1
2-6
6
12-22, 24-35
13
14-16, 35

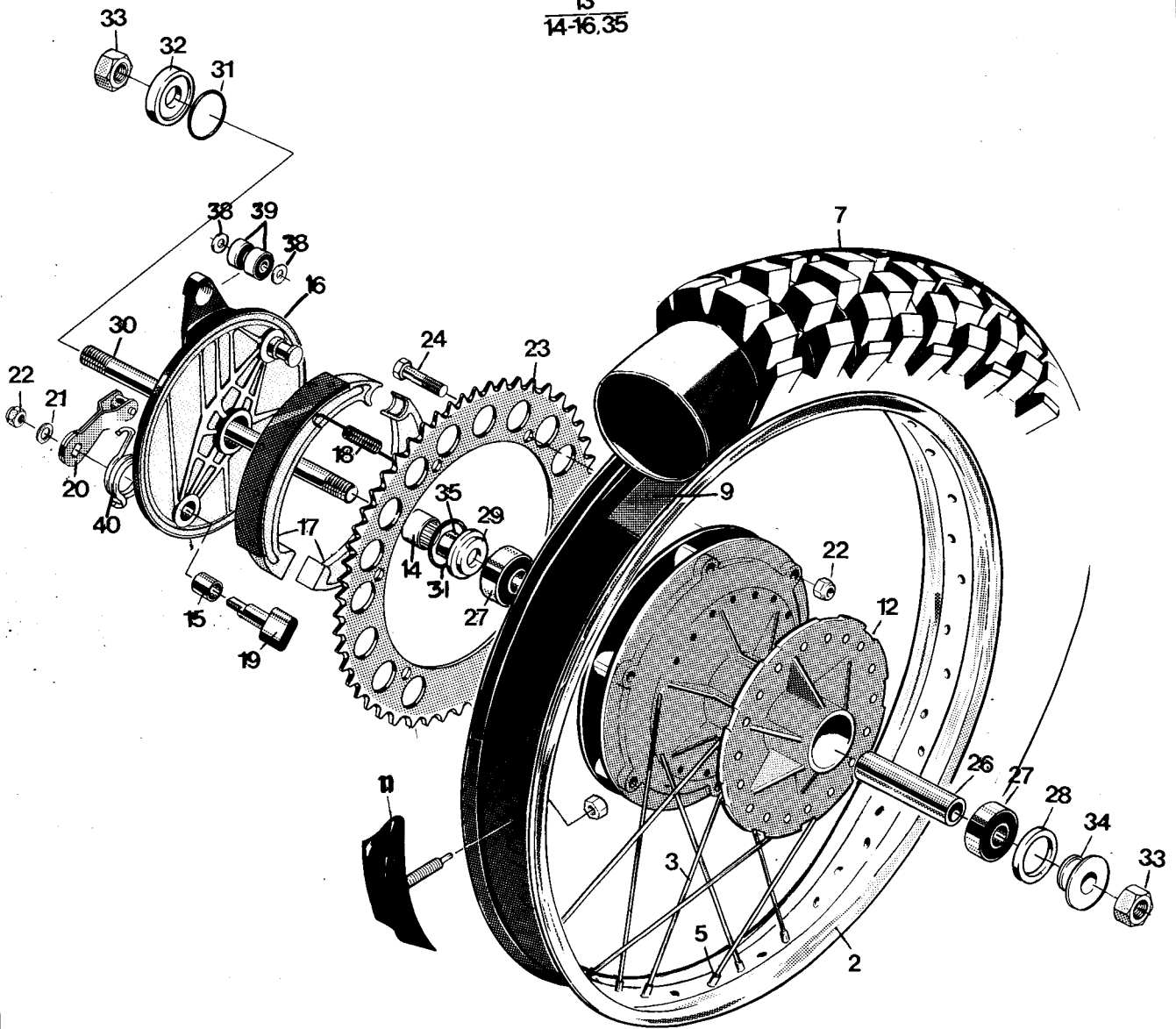


Fig.	Reservdelsnummer Sparepart number	Antal - Quantity												Benämning, Description			
		125			240		250			400		500			400		
		CR	WR	XC	CR	WR	CR	WR	XC	EU WR	US WR	CR	XC		XC		
N 38	73 41 153-41	2			2		2							2			Bricka. Washer
39	73 82 296-19	2			2		2							2			Kullager. Bearing
40	15 15 515-01	1			1		1							1			Fjäder. Spring

Tillbehör/Accessories																	
N	15 19 952-01	36			36		36										Ekersats. Spoke kit
	15 19 938-01	36			36		36										Nippelsats, Nipple kit

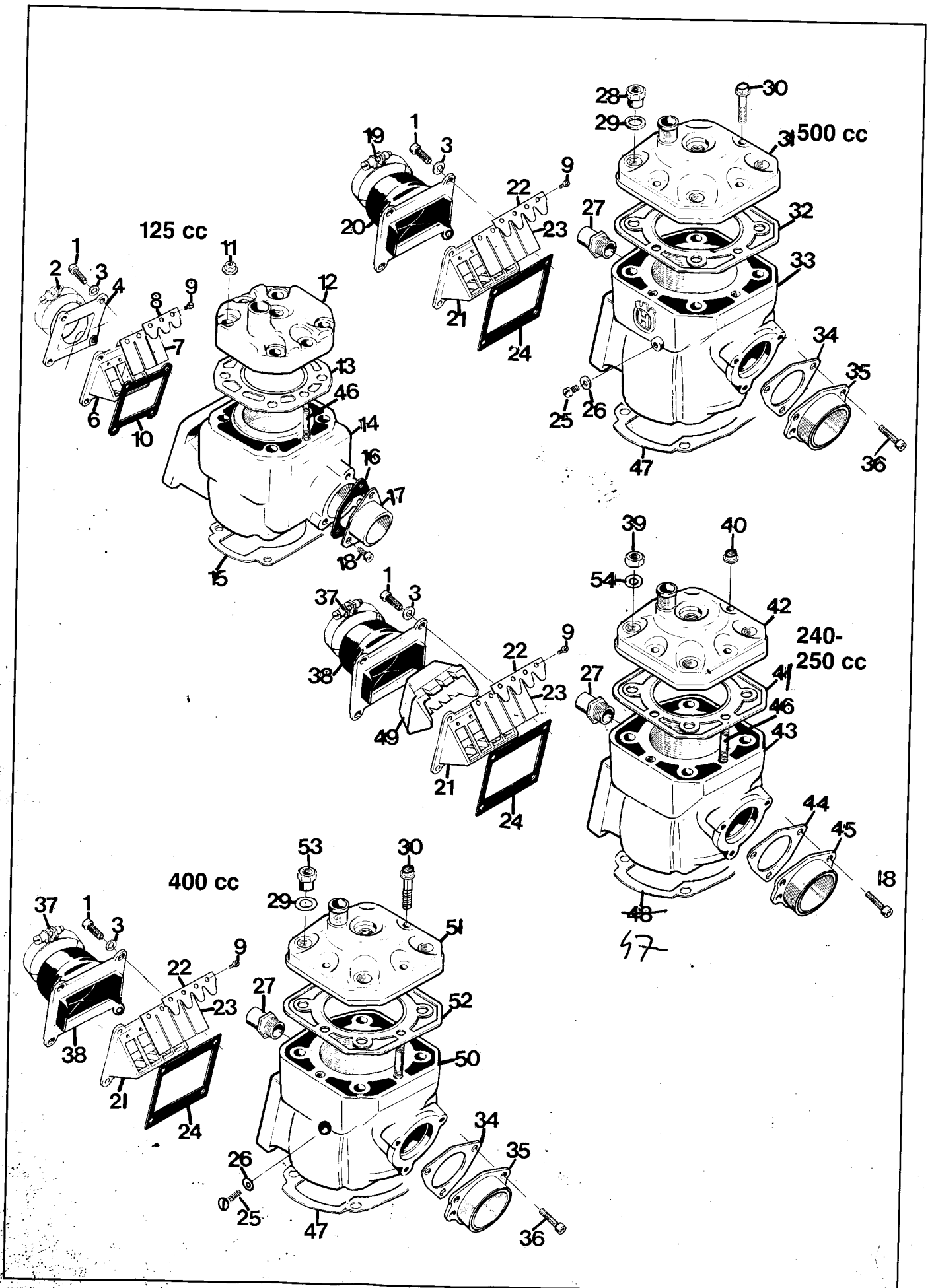
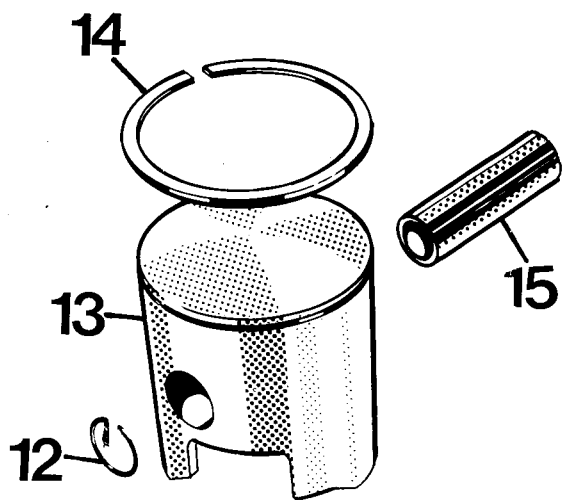
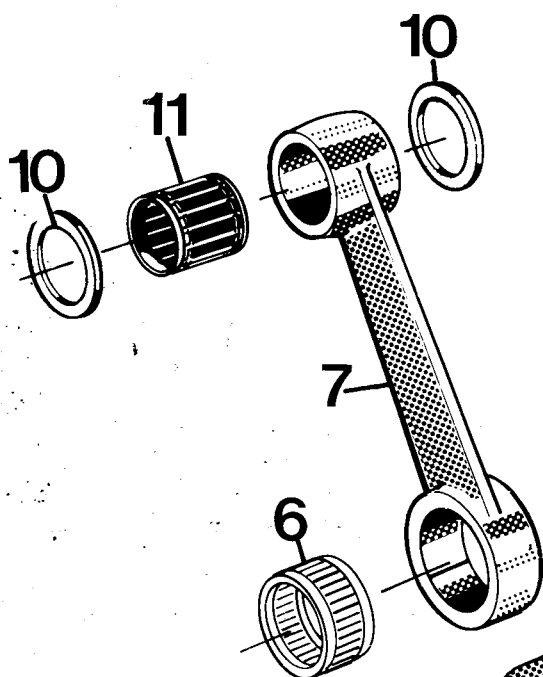


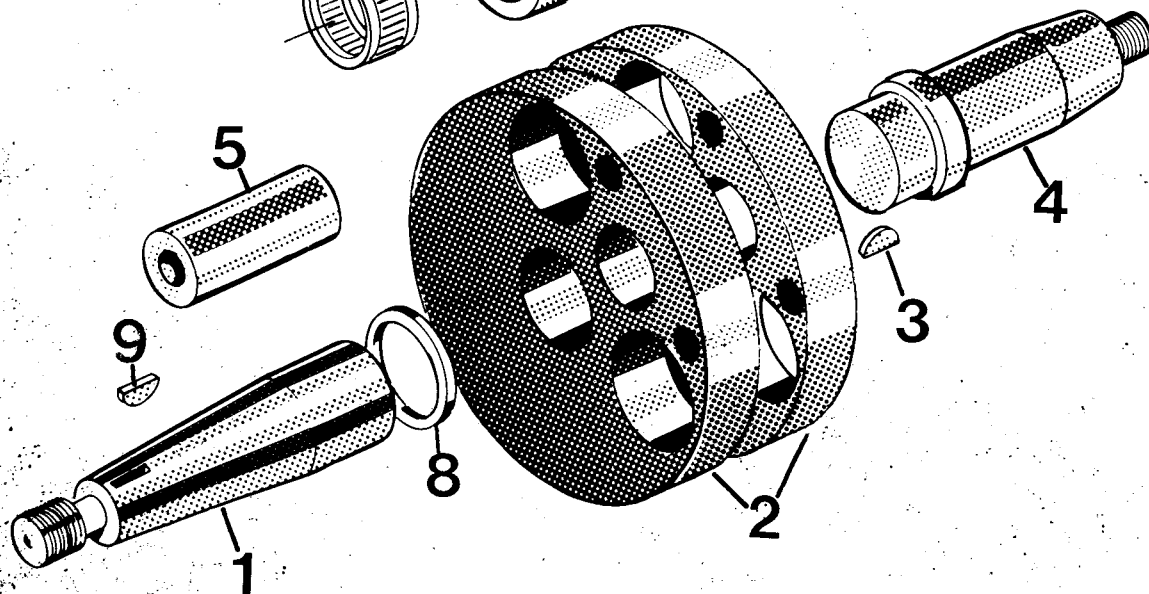
Fig.	Reservdelsnummer Sparepart number	Antal - Quantity														Benämning, Description
		125			240		250			400		500		400		
		CR	WR	XC	CR	WR	CR	WR	XC	EU WR	US WR	CR	XC	XC		
1	72 55 372-01 10	4	4	4	4	4	4	4	4	4	4	4	4	4	4	Skruv M6 x 25. Screw
2	16 13 227-01 10	1	1	1												Klämma. Clamp
3	73 51 153-50 10	4	4	4	4	4	4	4	4	4	4	4	4	4	4	Bricka. Washer
4	16 11 857-01 10	1	1	1												Insugningsrör. Intake manifold
6	16 11 855-01 10	1	1	1												Ventilhållare. Reed cage
7	16 11 863-01 20	2	2	2												Ventil. Reed
8	16 11 865-01 20	2	2	2												Ventilstöd. Reed support
9	72 32 285-31 20	6	6	6	8	8	8	8	8	8	8	8	8	8	8	Skruv. Screw
10	16 11 859-01 20	1	1	1												Packning. Gasket
11	15 13 731-01 20	6	6	6												Mutter. Nut
12	16 14 516-01 -	1	1	1												Cylinderlock. Cylinderhead
13	16 14 522-01 30	1	1	1												Packning. Gasket
14	16 14 437-01 -	1		1												Cylinder
	16 14 437-02 -		1													Cylinder
15	16 11 880-01 30	1	1	1												Packning. Gasket
16	16 14 558-01 10	1	1	1												Packning. Gasket
17	16 14 551-01 10	1		1												Avgasstos. Exhaust manifold
	16 14 555-01 10		1													Avgasstos. Exhaust manifold
18	72 55 368-01 10	3	3	3												Skruv M6 x 16. Screw
19	16 13 598-01 10											1	1			Klämma. Clamp
20	16 15 271-01 10											1	1			Insugningsrör. Intake manifold
21	16 11 856-01 10				1	1	1	1	1	1	1	1	1	1	1	Ventilhållare. Reed cage
22	16 11 866-01 20				2	2	2	2	2	2	2	2	2	2	2	Ventilstöd. Reed support
23	16 11 864-01 20				2	2	2	2	2	2	2	2	2	2	2	Ventil. Reed
24	16 11 861-01 20				1	1	1	1	1	1	1	1	1	1	1	Packning. Gasket
25	72 52 364-53 10				1	1	1	1	1	1	1	1	1	1	1	Skruv M6 x 10. Screw
26	16 10 823-01 10				1	1	1	1	1	1	1	1	1	1	1	Bricka. Washer
27	16 14 506-01 10	1	1	1	1	1	1	1	1	1	1	1	1	1	1	Anslutning. Hose connection
28	16 11 190-01 10											4	4			Mutter. Nut
29	16 14 583-01 20										4	4	4	4	4	Bricka. Washer
30	15 13 700-01 10										4	4	4	4	4	Skruv M8 x 40. Screw
N 31	16 14 593-02 -										1	1				Cylinderlock. Cylinder head
N 32	16 14 587-01 30										1	1				Packning. Gasket
33	16 14 449-01 -										1	1				Cylinder
34	16 14 570-01 10										1	1				Packning. Gasket
35	16 14 567-01 10										1	1	1	1	1	Avgasstos. Exhaust manifold
	16 14 571-01 10										1					Avgasstos strypt. Exhaust manifold restricted
36	72 55 369-01 10											3	3			Skruv M6 x 18. Screw
37	16 15 389-01 10				1	1	1	1	1	1	1	1			1	Klämma. Clamp
38	16 15 302-01 5					1		1			1	1			1	Förgasarslutning. Intake manifold
	16 15 272-01 5				1		1		1							Förgasarslutning. Intake manifold
N 39	16 14 473-01 10				4	4	4	4	4	4						Mutter M10. Nut
40	15 13 731-01 10				4	4	4	4	4	4						Mutter M8. Nut
41	16 14 495-01 30				1	1	1	1	1	1						Packning. Gasket
42	16 14 498-01 -				1	1	1	1	1	1						Cylinderlock. Cylinder head
N 43	16 14 438-01 -															Cylinder
	16 14 438-02 -				1	1	1	1	1	1						Cylinder
	16 14 438-04 -					1										Cylinder
44	16 14 537-01 10				1	1	1	1	1	1						Packning. Gasket
45	16 14 534-01 10				1		1		1							Avgasstos. Exhaust manifold
	16 14 486-01 10					1										Avgasstos strypt. Exhaust manifold restricted
46	16 14 541-01 10	4	4	4	4	4	4	4	4	4						Pinnskruv. Stud
47	16 11 882-01										1	1	1	1	1	Packning. Gasket
48	16 14 524-01 30				1	1	1	1	1	1						Packning. Gasket
N 49	16 14 445-01 2				1	1	1	1	1	1						Insats, flapshållare
50	16 14 457-01 -										1	1				Insert, reed valve holdsr
51	16 14 576-01 -										1	1				Cylinder
																Cylinder lock
																Cylinder head
52	16 14 577-01 30										1	1				Packning. Gasket
53	16 11 077-01 20										4	4				Halsmutter. Nut
54	73 41 173-01 10				4	4	4	4	4	4						Bricka. Washer



16
12-15



17
5-7



18
1-7

Fig.	Reservdelnummer Sparepart number	Antal - Quantity														Benämning, Description	
		125			240		250			400		500		400			
		CR	WR	XC	CR	WR	CR	WR	XC	EU	US	WR	WR	CR	XC		XC
1	16 10 653-01 3	1	1	1													Vevaxel, höger Crank shaft, right
	16 11 659-01 3				1	1	1	1	1	1	1	1	1	1	1	1	Vevaxel, höger Crank shaft, right
3	73 58 016-00 20	2	2	2	2	2	2	2	2	2	2	2	2	2	2	2	Kil 3 x 16. Key
4	16 11 285-01 3	1	1	1													Vevaxel, vänster Crank shaft, left
	16 14 539-01 3				1	1	1	1	1	1	1	1	1	1	1	1	
8	16 10 676-01 5	1	1	1													Distans. Spacer
	16 10 921-01 5				1	1	1	1	1	1	1	1	1	1	1	1	Distans. Spacer
9	15 13 713-01 30	1	1	1	1	1	1	1	1	1	1	1	1	1	1	1	Kil. Key
10	16 10 674-01 10	2	2	2													Distans. Spacer
	16 10 971-01 10				2	2	2	2	2	2	2	2	2	2	2	2	Distans. Spacer
11	16 11 534-01 10	1	1	1													Nållager. Needle bearing
	16 10 933-01 10				1	1	1	1	1	1	1	1	1	1	1	1	Nållager. Needle bearing
	16 11 205-01 10																Nållager. Needle bearing
	16 11 838-01 5										1	1			1	1	Nållager. Needle bearing
12	73 14 215-01 1	2	2	2													Låsring. Circlip
	16 11 738-01 1				2	2	2	2	2	2	2	2	2	2	2	2	Låsring. Circlip
	16 11 195-01 1																Låsring. Circlip
14	16 14 521-01 5	1	1	1													Kolvring (Cyl Ø55.0)
	16 14 521-02 5																Piston ring
	16 14 521-03 5																Kolvring (Cyl Ø55.25)
	16 14 521-03 5																Piston ring
N	16 16 358-01 10						2	2	2								Kolvring (Cyl Ø55.50)
N	16 10 358-02 10																Piston ring
N	16 10 358-03 10																Kolvring (Cyl Ø69.50)
N	16 10 358-04 10																Piston ring
	16 10 831-05 5																Kolvring (Cyl Ø70.00)
	16 11 189-01 10																Piston ring
	16 11 189-02 10																Kolvring (Cyl Ø70.25)
	16 11 189-03 10																Piston ring
	16 14 454-01 5									1	1					1	Kolvring (Ø68.75)
	16 14 454-02 5																Piston ring
	16 14 454-03 5																Kolvring (Ø86.00)
	16 14 454-03 5																Piston ring
16	16 14 520-01 2	1	1	1													Kolvring (86.50)
	16 14 520-02 5																Piston ring
	16 14 520-03 5																Kolvring (87.00)
N	16 16 357-01 5																Piston ring
N	16 16 357-02 10																Kolvring (Ø86.00)
N	16 16 357-03 10																Piston ring
	16 14 493-01 1				1	1											Kolvring (87.00)
	16 14 487-01 2																Piston ring
	16 14 487-02 5																Kolvring (82.50)
	16 14 487-03 5																Piston ring
	16 14 455-01 2																Kolvring (83.00)
	16 14 455-02 5																Piston ring
	16 14 455-03 5																Kolvring (83.50)
17	16 10 383-01 5	1	1	1													Piston ring
	16 19 825-01 10				1	1	1	1	1	1	1	1	1	1	1	1	Renov.sats vevstake
	16 19 829-01 10																Overhaulkit conn.rod
18	16 14 542-01 1	1	1	1													Vevparti, kpl.
N	16 14 436-01 1				1	1	1	1	1	1	1	1	1	1	1	1	Crank shaft, compl.
N	16 14 400-01 1																Vevparti, kpl.
	16 14 579-01 1																Crank shaft, compl.

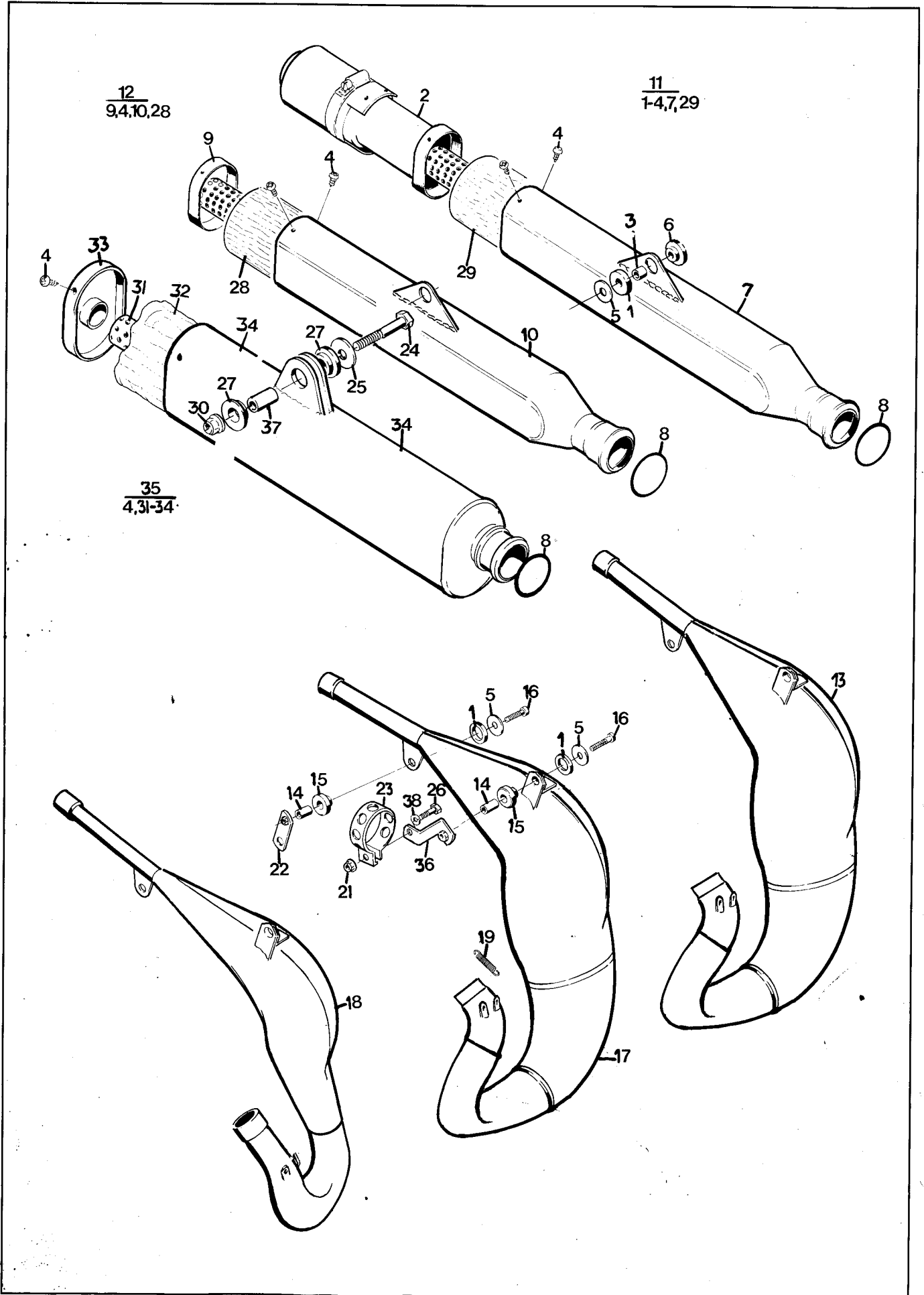


Fig.	Reservdelsnummer Sparepart number	Antal - Quantity														Benämning, Description
		125			240		250			400		500		400		
		CR	WR	XC	CR	WR	CR	WR	XC	EU WR	US WR	CR	XC	XC		
1	15 13 414-01 10	1	1	1	1	1	1	1	1	1	1	1	1	1	Bricka. Washer	
2	15 13 416-01			1				1	1			1		1	Insats kpl med gnistsläckare. Innertube compl with sparkarrestor	
3	15 15 108-01 10	1		1	1		1	1				1	1	1	Distans. Spacer	
4	72 95 842-01	4	4	4	4	4	4	4	4	4	4	4	4	4	Skruv. Screw	
5	15 13 709-01 20	1	1	1	1	1	1	1	1	1	1	1	1	1	Bricka. Washer	
6	15 14 032-02 20	1	1	1	1		1	1				1	1	1	Gummibussning. Rubber bushing	
8	15 14 559-01 20	1	1	1	1	1	1	1	1	1	1	1	1	1	O-ring	
9	15 13 398-01 15 13 398-02 15 13 398-03	1				1		1						1	Innerrör. Innertube Innerrör. Innertube Innerrör. Innertube	
11	15 13 420-01 15 13 492-01			1				1						1	Ljuddämpare kpl. Silencer compl. Ljuddämpare kpl. Silencer compl.	
12	15 13 393-01 15 13 393-02 15 13 393-03 15 13 393-04	1			1		1						1		Ljuddämpare. Silencer Ljuddämpare. Silencer Ljuddämpare. Silencer Ljuddämpare. Silencer	
N N N N N	13 15 13 971-01 15 13 970-01 15 13 970-02 15 13 970-03											1	1		Avgasrör. Exhaust pipe Avgasrör. Exhaust pipe Avgasrör. Exhaust pipe Avgasrör. Exhaust pipe	
N	14 15 15 108-01 10	1	1	1	1	1	1	1	1	1	1	1	1	1	Distans. Spacer	
N	15 15 14 032-01 20	1	1	1	1	1	1	1	1	1	1	1	1	1	Gummibussning. Rubber bushing	
N	16 72 55 372-01 10	1	1	1	1	1	1	1	1	1	1	1	1	1	Skruv M6 x 25. Screw	
N N N	17 15 13 954-01 15 13 982-01 15 13 982-02				1		1	1							Avgasrör. Exhaust pipe Avgasrör. Exhaust pipe Avgasrör. Exhaust pipe	
N N	18 15 13 966-01 15 13 979-01	1		1											Avgasrör. Exhaust pipe Avgasrör. Exhaust pipe	
N	19 15 13 391-01 30	2	2	2	2	2	2	2	2	2	2	2	2	2	Fjäder. Spring	
N	21 15 13 706-01 20	1	1	1	1	1	1	1	1	1	1	1	1	1	Mutter M6. Nut	
N	22 15 13 977-01 10	1	1	1	2	1	2	1	1	1	1	1	1	1	Fäste. Attachment	
N	23 15 13 441-01 10	1	1	1	1	1	1	1	1	1	1	1	1	1	Klämma. Clamp	
N	24 72 52 463-81 10					1		1		1	1				Skruv M8 x 60. Screw	
N	25 15 14 661-01 10					1		1		1	1				Bricka. Washer	
N	26 73 52 372-01 10	1	1	1	1	1	1	1	1	1	1	1	1	1	Skruv M6 x 25. Screw	
N	27 15 14 662-01 10					1		1		1	1				Gummibussning. Rubber Bushing	
N	28 15 13 336-03 10 15 13 336-02 10	1			1		1						1		Stoppning. Packing Stoppning. Packing	
N	29 15 13 336-03			1				1	1		1		1	1	Stoppning. Packing	
N N N N N	30 15 13 707-01 10 31 15 13 995-01 2 32 15 13 336-04 10 33 15 13 960-01 5 35 15 13 968-01 2					1		1		1	1				Mutter M8. Nut Innerrör. Innertube Absorbent. Absorber Gavel. Gable Ljuddämpare kpl. Silencer compl.	
N	36 15 13 976-01	1	1	1		1		1		1	1	1	1	1	Fäste. Attachment	
N	37 15 14 663-01 10				2		2		2	2					Distans. Spacer	
N	38 15 13 734-01 10	1	1	1	1	1	1	1	1	1	1	1	1	1	Bricks. Washer	

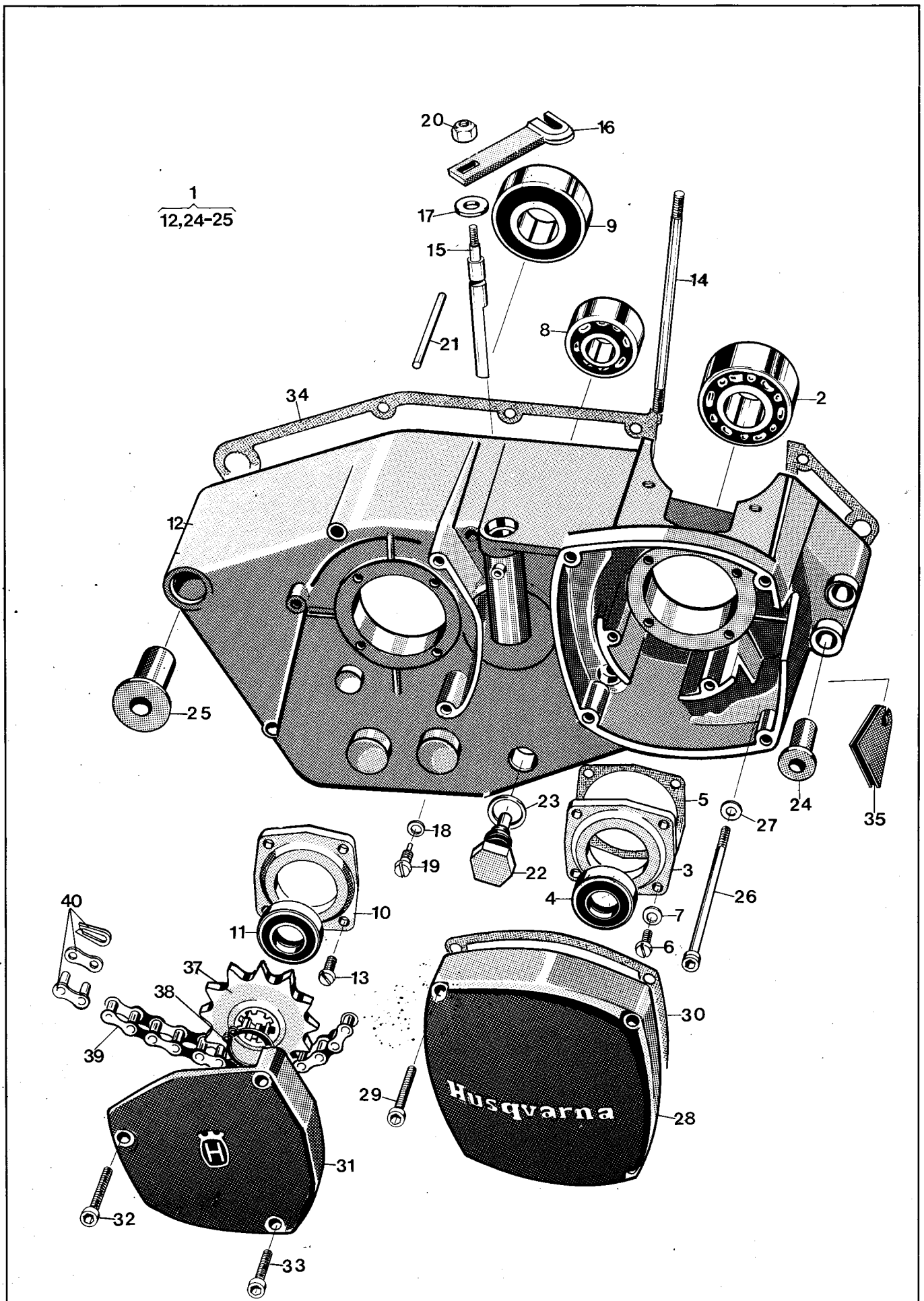
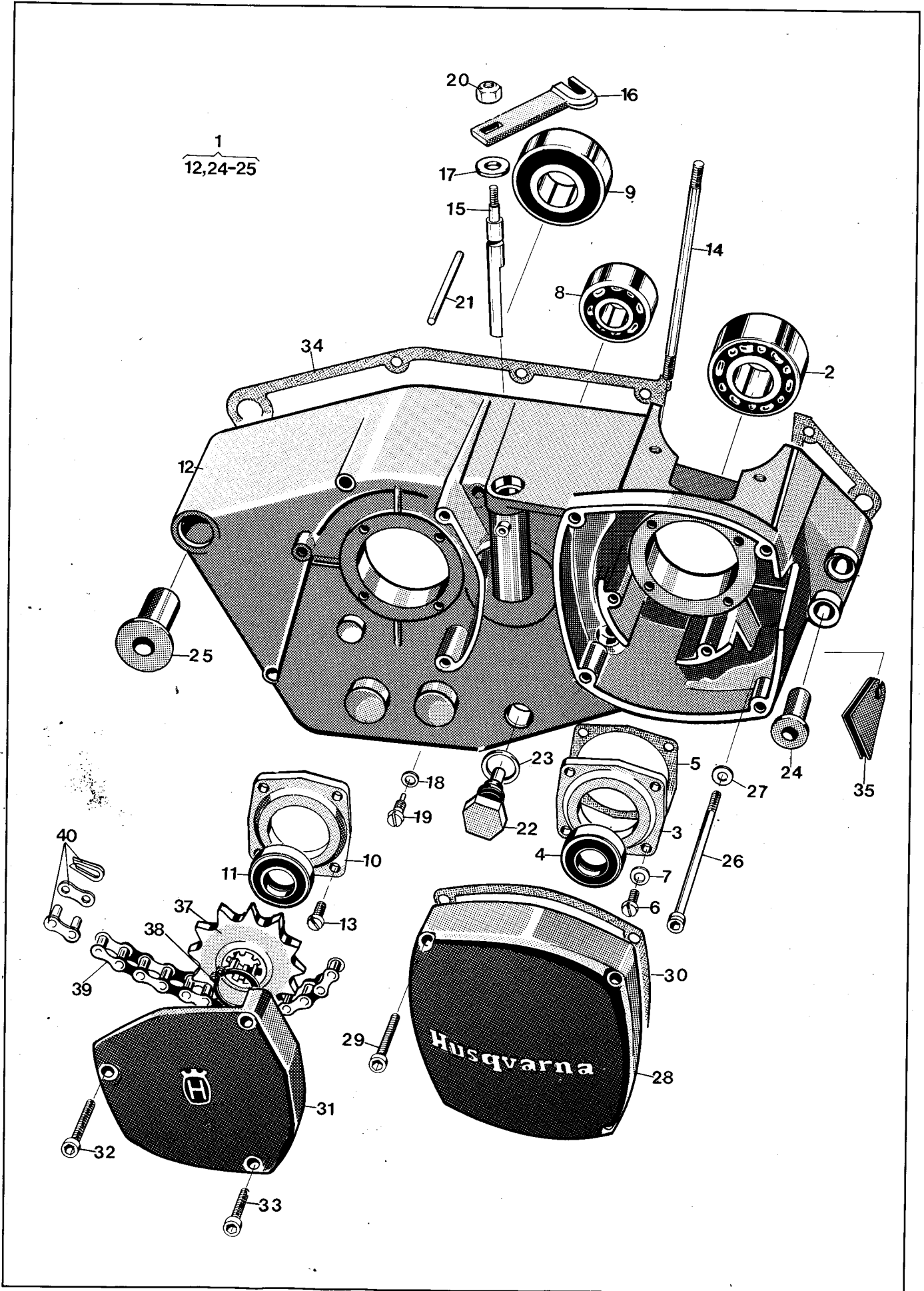


Fig.	Reservdelnummer Sparepart number	Antal - Quantity														Benämning, Description			
		125			240		250			400		500		400					
		CR	WR	XC	CR	WR	CR	WR	XC	EU	US	CR	XC	XC					
1	16 19 690-01	1	1	1													Vevhushalva, höger Crankcase halve right		
	16 19 692-01	1	1	1	kompl.														Vevhushalvor par Crankcase halves pair
2	73 83 204-40	1	1	1													Kullager. Ball bearing		
3	16 10 679-01	1	1	1													Fläns. Flange		
4	16 10 681-01	1	1	1													Tätning. Seal		
5	12 25 360-01	1	1	1													Packning. Gasket		
6	72 31 328-51	4	4	4													Skruv M5 x 14. Screw		
7	73 51 146-50	4	4	4													Fjäderbricka. Washer		
8	73 82 302-40	1	1	1													Kullager. Ball bearing		
9	16 16 351-01	1	1	1													Kullager. Ball bearing		
10	16 11 778-01	1	1	1													Fläns. Flange		
11	16 12 353-01	1	1	1													Distans. Spacer		
13	72 35 328-55	4	4	4													Skruv M5 x 14. Screw		
14	16 11 546-02	4	4	4													Dragbult, cylinder. Cylinder stud		
15	16 10 774-01	1	1	1													Frikopplingsaxel. Declutching shaft		
16	16 11 171-01	1	1	1													Hävarm. Lever		
17	15 13 722-01	1	1	1													Tätning. Seal		
18	73 44 878-00	1	1	1													Bricka. Washer		
19	12 25 077-01	1	1	1													Stoppskruv. Screw		
20	73 22 118-01	1	1	1													Låsmutter M8. Nut		
21	72 11 350-40	1	1	1													Pinne. Pin		
22	16 12 537-01	1	1	1													Magnetplugg. Magneto plug		
23	12 25 025-01	1	1	1													Packning. Gasket		
24	16 10 777-01	2	2	2													Flänsbussning. Flange sleeve		
25	16 11 516-01	1	1	1													Flänsbussning. Flange sleeve		
26	72 55 385-01	9	9	9													Skruv M6 x 75. Screw		
27	73 41 153-01	9	9	9													Bricka 6.4 x 12.5. Washer		
28	16 10 647-01	1	1	1													Magnetkåpa. Magneto cover		
29	72 55 378-01	4	4	4													Skruv M6 x 40. Screw		
30	16 11 623-01	1	1	1													Packning. Gasket		
31	16 11 560-02	1	1	1													Kåpa. Cover		
32	72 55 380-01	1	1	1													Skruv M6 x 50. Screw		
33	72 55 376-01	2	2	2													Skruv M6 x 35. Screw		
34	16 11 641-01	1	1	1													Vevhuspackning. Gasket		
35	16 14 728-01	1	1	1													Genomföring. Grommet		
37	16 12 693-04	1	1	1													Kedjedrev z = 13. Sprocket		
38	73 53 126-00	1	1	1													Spårring. Circlip		
39	15 19 760-12	1		1													Kedja 5/8 x 1/4 118. Chain		
	15 17 760-07		1														Kedja O-ring 5/8 x 1/4 118. Chain O-ring		
40	15 19 759-04	1		1													Kedjelås. Master link		



Tillbehör/Accessories

16 12 693-01 5
 16 12 693-02 4
 16 12 693-03
 16 12 693-05
 16 12 693-06
 16 12 693-07
 16 12 693-08
 16 19 852-01

Kedjedrev
 Front sprocket
 z = 10
 z = 11
 z = 12
 z = 14
 z = 15
 z = 16
 z = 17
 Packningsatts
 Gasket set

H Husqvarna
VEVHUSHALVA 240-500
CRANKCASE HALF

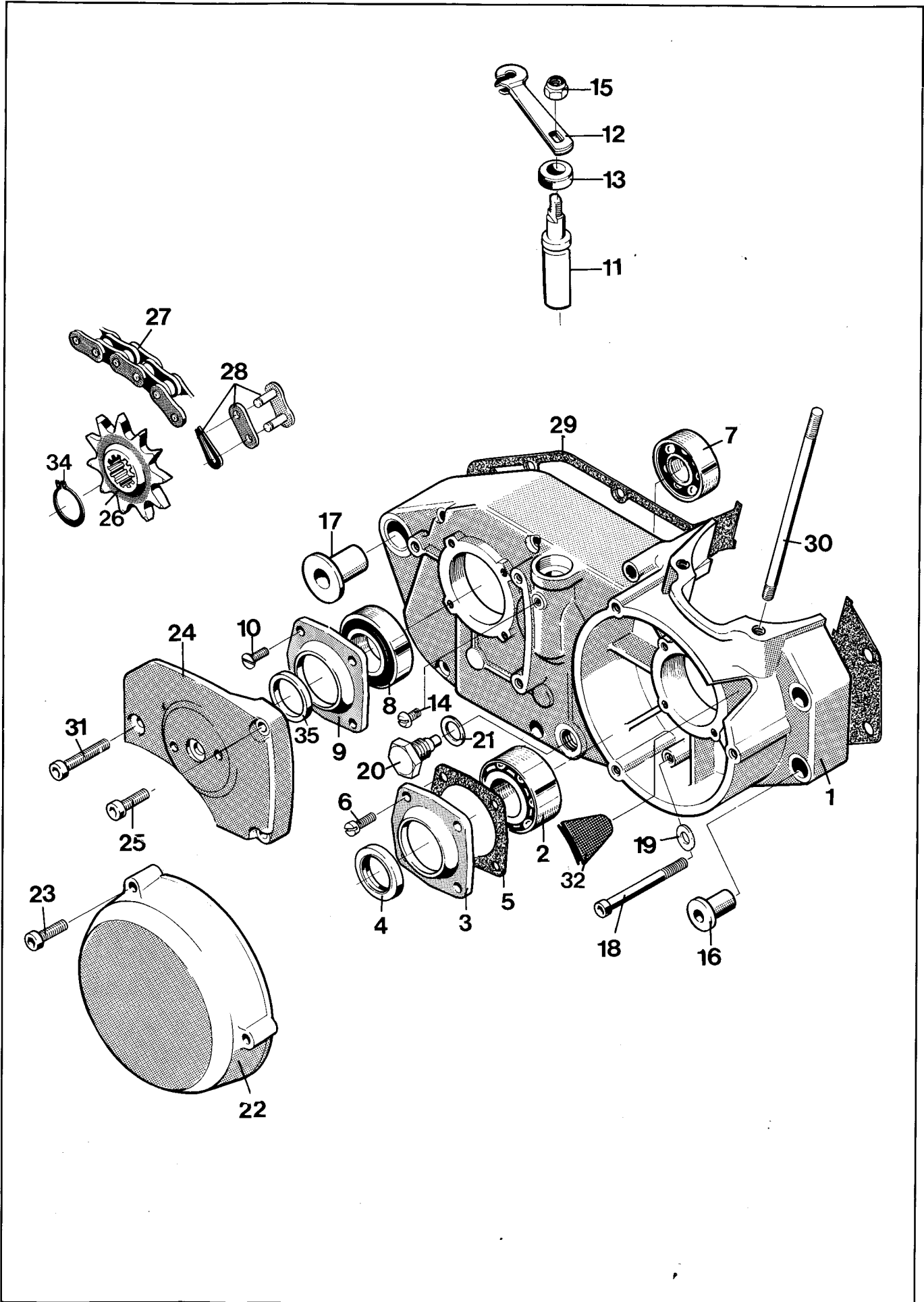


Fig.	Reservdelsnummer Sparepart number	Antal - Quantity													Benämning, Description		
		125			240			250			400		500			400	
		CR	WR	XC	CR	WR	XC	CR	WR	XC	EU WR	US WR	CR	XC		XC	
N	16 19 686-01				1	1	1	1	1								Vevhus, kpl. Crankcase, compl.
36 N	16 19 888-01	Compl.															Vevhus, kpl. Crankcase, compl.
80 N	16 19 689-01	Compl.								1	1	1	1	1			Vevhushalva höger, kpl. Crankcase half, compl.
1	16 19 684-01				16 19 886-01	1	1	1	1	1	1	1	1	1			Vevhushalva höger, kpl. Crankcase half, compl.
2	73 83 205-40	10			1	1	1	1	1	1	1	1	1	1			Vinkelkontaktkullager Ball bearing
3	16 10 810-01	3			1	1	1	1	1	1	1	1	1	1			Fläns. Flange
4	15 13 725-01	20			1	1	1	1	1	1	1	1	1	1			Tätning. Seal
5	12 25 358-01	20			1	1	1	1	1	1	1	1	1	1			Packning. Gasket
6	72 31 328-51	20			4	4	4	4	4	4	4	4	4	4			Skruv M5 x 14. Screw
7	73 82 302-40	10			1	1	1	1	1	1	1	1	1	1			Kullager. Ball bearing
8	73 82 205-28	10			1	1	1	1	1	1	1	1	1	1			Kullager. Ball bearing
9	16 11 778-01	10			1	1	1	1	1	1	1	1	1	1			Fläns. Flange
10	72 35 328-55	20			4	4	4	4	4	4	4	4	4	4			Skruv M5 x 14. Screw
N	16 15 310-01	5			1	1	1	1	1	1	1	1	1	1			Frikopplingsaxel. Declutching shaft
12	16 14 584-01	5			1	1	1	1	1	1	1	1	1	1			Hävarm. Lever
13	15 13 722-01	10			1	1	1	1	1	1	1	1	1	1			Tätning. Seal
14	72 31 323-01	10			1	1	1	1	1	1	1	1	1	1			Skruv M5 x 8. Screw
15	73 22 118-01	10			1	1	1	1	1	1	1	1	1	1			Låsmutter. Nut
16	16 10 777-01	2			2	2	2	2	2	2	2	2	2	2			Flänsbussning. Flange sleeve
17	16 14 589-01	2			1	1	1	1	1	1	1	1	1	1			Flänsbussning Flange sleeve
18	72 55 385-01	10			6	6	6	6	6	6	6	6	6	6			Skruv M6 x 75. Screw
19	73 41 153-01	10			6	6	6	6	6	6	6	6	6	6			Bricka 6.4 x 12.5. Washer
20	16 12 537-01	5			1	1	1	1	1	1	1	1	1	1			Magnetbult. Magneto plug
21	12 25 025-01	10			1	1	1	1	1	1	1	1	1	1			Packning. Gasket
22	16 11 640-01	5			1	1	1	1	1	1	1	1	1	1			Magnetkåpa. Magneto cover
23	72 55 378-01	10			3	3	3	3	3	3	3	3	3	3			Skruv M6 x 40. Screw
24	16 11 816-02	10			1	1	1	1	1	1	1	1	1	1			Kåpa. Cover
25	72 55 374-01	10			2	2	2	2	2	2	2	2	2	2			Skruv M6 x 30. Screw
26	16 12 693-04	10			1	1	1	1	1								Kedjedrev z = 13 Sprocket
	16 12 693-08					1											Kedjedrev z = 17 Sprocket
	16 12 693-06													1	1		Kedjedrev = 15 Sprocket
	16 12 693-05	10										1	1				Kedjedrev z = 15 Sprocket
27	15 19 760-11				1		1		1								Drivkedja 5/8 x 1/4" 116 länk. Chain
	15 19 760-12													1	1	1	Drivkedja 5/8 x 1/4" 118 länk Chain
	15 17 760-06					1		1		1	1						Drivkedja O-ring 5/8 x 1/4" 116 länk Chain O-ring
28	15 19 759-04				1		1		1					1	1	1	Kedjelås. Chain lock
29	16 11 667-01	30			1	1	1	1	1			1	1	1	1		Packning. Gasket
30	16 11 883-03	8			4	4	4	4	4	4	4	4	4	4			Dragbult. Cylinder stud
31	72 55 376-01	10			1	1	1	1	1	1	1	1	1	1			Skruv M6 x 36. Screw
32	16 14 728-01	10			1	1	1	1	1	1	1	1	1	1			Kabelgenomföring. Grommet
N	16 19 863-01	10			1	1	1	1	1								Packningssats Gasket set
N	16 19 864-01	10								1	1	1	1	1			Låsring. Circlip
34	73 53 126-00	20			1	1	1	1	1	1	1	1	1	1			Låsring. Circlip
35	16 12 355-01	20			1	1	1	1	1	1	1	1	1	1			Distans. Spacer
	359-01																

VEVHUSHALVA, TRANSMISSIONSKÅPA 125 CRANKCASE HALF, TRANSMISSION COVER

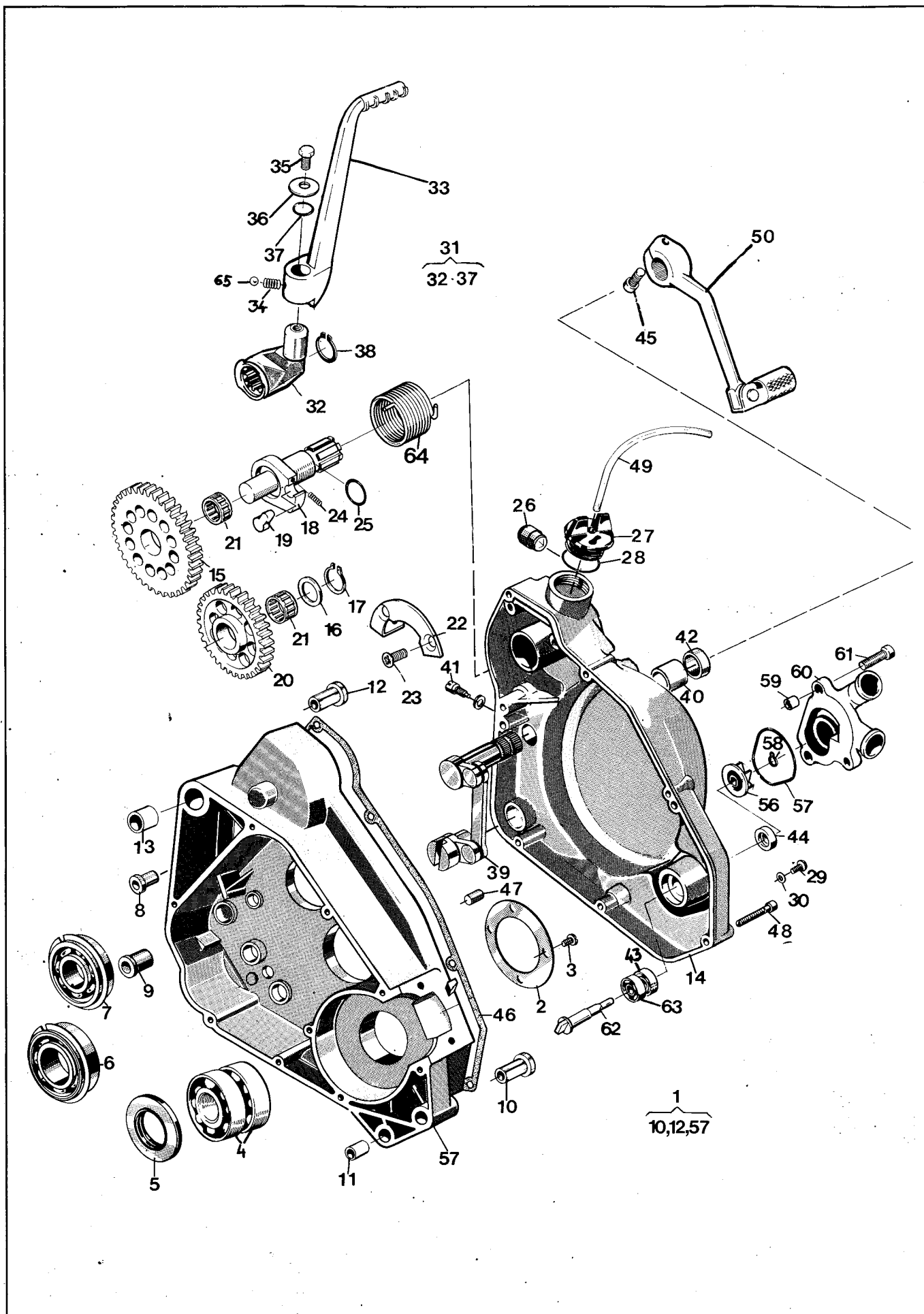


Fig.	Reservdelsnummer Sparepart number	Antal - Quantity												Benämning, Description		
		125			240		250			400		500			400	
		CR	WR	XC	CR	WR	CR	WR	XC	EU WR	US WR	CR	XC		XC	
1	16 19 691-01	1	1	1												Vevhushalva, vänster Crankcase halve left
	16 19 692-01	1	1	1												Vevhushalvor par Crankcase halves pair
2	16 11 566-01	2	1	1												Stödbricka Support washer
3	72 52 331-86	10	4	4	4											Skruv M5 x 20. Screw
4	73 82 204-25	10	2	2	2											Kullager SKF 3204/C3 Ball bearing
5	15 13 724-01	10	1	1	1											Tätning. Seal
6	15 13 721-01	10	1	1	1											Kullager SKF 6205 NR/C3 Ball bearing
7	15 13 720-01	10	1	1	1											Kullager SKF 6303 NR/C3 Ball bearing
8	16 11 465-01	2	2	2	2											Bussning. Bushing
9	12 25 356-01	2	1	1	1											Bussning. Bushing
10	16 10 777-01	2	2	2	2											Flänsbussning Flange sleeve
11	16 10 776-01	2	1	1	1											Styrhylsa. Steering sleeve
12	16 14 589-01	2	1	1	1											Flänsbussning Flange sleeve
13	16 14 590-01	2	1	1	1											Styrhylsa. Steering sleeve
14	16 19 849-02	2	1	1	1											Vevhuskåpa, vänster Transmission cover
15	16 14 470-01	3	1	1	1											Kickhjul. Gearwheel kickstart
16	15 13 714-01	10	1	1	1											Bricka. Washer
17	73 53 118-00	10	1	1	1											Spårring. Circlip
18	16 11 678-01	2	1	1	1											Kickaxel. Kickshaft
19	16 11 680-01	10	1	1	1											Medbringare. Pawl
20	16 11 281-01	3	1	1	1											Mellanhjul. Idle gear
21	16 11 675-01	10	1	1	1											Nållager. Needle bearing
22	16 11 284-01	10	1	1	1											Fjäderhållare. Spring holder
23	72 56 331-05	10	2	2	2											Skruv. Screw
24	16 11 681-01	10	1	1	1											Fjäder. Spring
25	74 04 313-10	20	2	2	2											O-ring
26	16 17 017-01	10	1	1	1											Buffert. Buffert
27	16 10 786-01	5	1	1	1											Lock. Cap
28	50 12 782-01	10	1	1	1											Packning. Gasket
29	72 31 364-01	10	1	1	1											Skruv M6 x 10. Screw
30	16 10 823-01	10	1	1	1											Packning. Gasket
31	16 11 086-01	10	1	1	1											Kickstartpedal, kpl. Kick starter pedal compl.
32	16 11 672-02	10	1	1	1											Underdel, kick Lower part
33	16 11 083-01	10	1	1	1											Kickstartpedal Kick starter pedal
34	16 11 084-01	10	1	1	1											Fjäder. Spring
35	72 55 366-01	10	1	1	1											Skruv M6 x 12. Screw
36	16 11 298-01	10	1	1	1											Bricka. Washer
37	74 04 313-10	10	1	1	1											O-ring
38	73 53 122-00	10	1	1	1											Spårring. Circlip
39	16 11 535-01	3	1	1	1											Växelmekanism, kpl. Gear links compl.

VEVHUSHALVA, TRANSMISSIONSKÅPA 125 CRANKCASE HALF, TRANSMISSION COVER

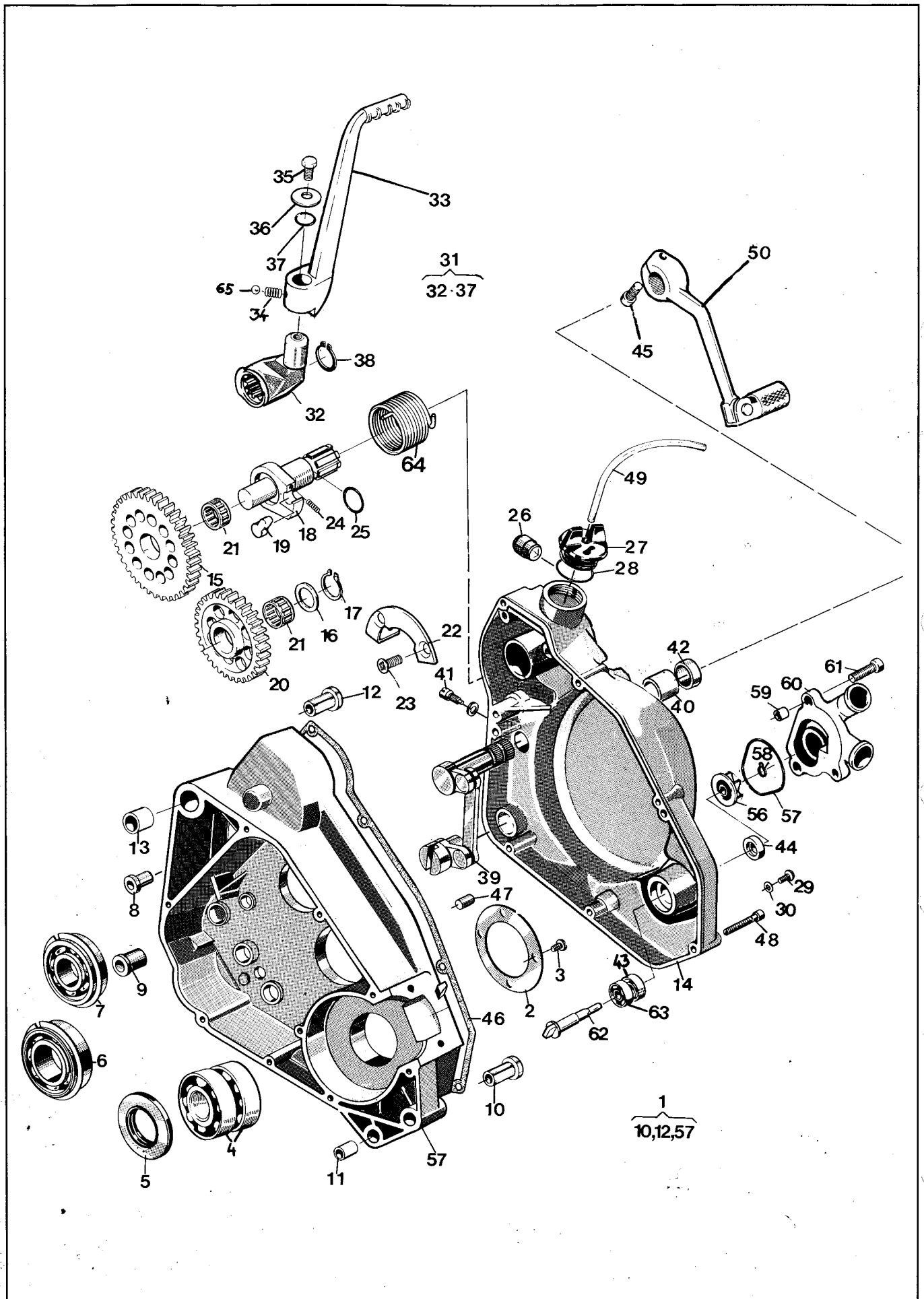


Fig.	Reservdelnummer Sparepart number	Antal - Quantity												Benämning, Description	
		125			240		250			400		500			400
		CR	WR	XC	CR	WR	CR	WR	XC	EU WR	US WR	CR	XC		XC
40	16 11 474-01 3	1	1	1											Bussning. Bushing
41	12 25 077-01 10	1	1	1											Stoppskruv. Screw
42	50 32 662-05 3	1	1	1	151	37	33	01							Tätning. Seal
43	73 82 198-04 10	1	1	1											Kullager. Bearing
44	16 17 958-01 20	1	1	1											Tätning. Seal
45	72 55 370-01 10	1	1	1											Skruv M6 x 20. Screw
46	16 10 792-01 20	1	1	1											Packning. Gasket
48	72 55 376-01 10	7	7	7											Skruv M6 x 35. Screw
49	12 25 621-10	1	1	1											Slang/m 4.8 x 8. Hose/m
50	16 16 359-01 10	1	1	1											Fotväxelpedal. Shift lever
56	16 17 951-01 5	1	1	1											Pumphjul. Pumpwheel
57	74 04 834-03 10	1	1	1											O-ring
58	73 53 108-01 10	1	1	1											Låsring. Circlip
59	16 17 955-01 10	2	2	2											Styrstift. Peg
60	16 17 967-01 10	1	1	1											Pumphus. Pumphousing
61	72 55 371-01 10	3	3	3											Skruv M6 x 22. Screw
62	16 17 966-01 5	1	1	1											Pumpaxel. Pump shaft
63	73 82 198-00 10	1	1	1											Kullager. Bearing
64	16 11 682-01 5	1	1	1											Kickfjäder. Spring
65	73 86 120-03 5	1	1	1											Kula, Ball

N

VEVHUSHALVA, TRANSMISSIONSKÅPA 240-500 CRANKCASE HALF, TRANSMISSION COVER

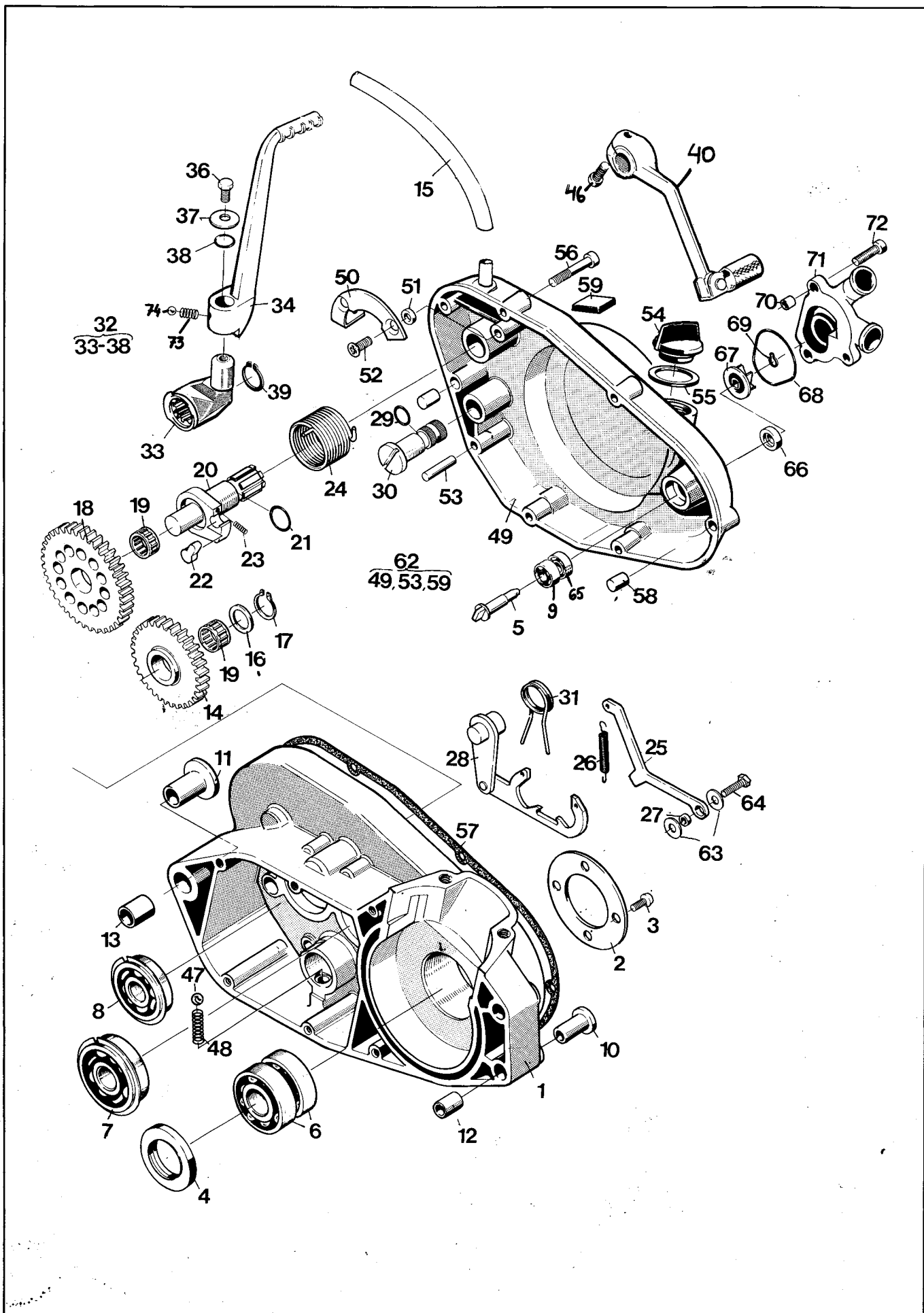


Fig.	Reservdelsnummer Sparepart number	Antal - Quantity													Benämning, Description	
		125			240		250			400		500		400		
		CR	WR	XC	CR	WR	CR	WR	XC	EU	US	WR	CR	XC		XC
1	1619387-01 16 19 685-01 16 19 688-01				1	1	1	1	1	1	1	1	1	1	1	Vevhushalva, vänster komplett Crankcase halve left
2	16 10 779-01 16 10 779-01 Z				1	1	1	1	1	1	1	1	1	1	1	Stödbricka Support washer
3	72 52 331-86 10				4	4	4	4	4	4	4	4	4	4	4	Skruv M6S x 20. Screw
4	15 13 726-01 20				1	1	1	1	1	1	1	1	1	1	1	Tätning. Seal
5	16 17 966-01 10				1	1	1	1	1	1	1	1	1	1	1	Pumpaxel. Pump shaft
6	73 82 205-25 10				2	2	2	2	2	2	2	2	2	2	2	Kullager. Ball bearing
7	15 13 721-01 10				1	1	1	1	1	1	1	1	1	1	1	Kullager. Ball bearing
8	15 13 720-01 10				1	1	1	1	1	1	1	1	1	1	1	Kullager. Ball bearing
9	73 82 198-00 10				1	1	1	1	1	1	1	1	1	1	1	Kullager. Ball bearing
10	16 10 777-01 2				2	2	2	2	2	2	2	2	2	2	2	Flänsbussning. Flange sleeve
11	16 14 589-01 2				2	2	2	2	2	2	2	2	2	2	2	Flänsbussning. Flange sleeve
12	16 10 776-01 2				1	1	1	1	1	1	1	1	1	1	1	Styrhylsa, fram. Steering sleeve
13	16 14 590-01 2				1	1	1	1	1	1	1	1	1	1	1	Styrhylsa, bak Steering sleeve
14	16 11 271-01 3				1	1	1	1	1	1	1	1	1	1	1	Mellanhjul. Cog wheel
15	16 14 540-01 5				1	1	1	1	1	1	1	1	1	1	1	Ventilations slang Ventilation hose
16	15 13 714-01 20				1	1	1	1	1	1	1	1	1	1	1	Bricka. Washer
17	73 53 118-00 20				1	1	1	1	1	1	1	1	1	1	1	Spårring. Circlip
18	16 11 270-01 5				1	1	1	1	1	1	1	1	1	1	1	Kuggghjul. Gear wheel
19	16 11 675-01 20				1	1	1	1	1	1	1	1	1	1	1	Nålhylsa. Sleeve
20	16 11 677-01 5				1	1	1	1	1	1	1	1	1	1	1	Kickaxel. Shaft
21	74 04 313-10 20				1	1	1	1	1	1	1	1	1	1	1	O-ring
22	16 11 680-01 20				1	1	1	1	1	1	1	1	1	1	1	Medbringare. Driving
23	16 11 681-01 20				1	1	1	1	1	1	1	1	1	1	1	Fjäder. Spring
24	16 11 682-01 20				1	1	1	1	1	1	1	1	1	1	1	Kickfjäder. Spring
25	16 11 683-01 20				1	1	1	1	1	1	1	1	1	1	1	Lägeshake. Hook link
26	16 11 684-01 20				1	1	1	1	1	1	1	1	1	1	1	Fjäder. Spring
27	16 11 216-01 20				1	1	1	1	1	1	1	1	1	1	1	Bussning. Bushing
28	16 11 686-01 5				1	1	1	1	1	1	1	1	1	1	1	Växelmatare. Kicker
29	74 04 310-10 20				2	2	2	2	2	2	2	2	2	2	2	O-ring
30	16 11 746-01 5				1	1	1	1	1	1	1	1	1	1	1	Växlingsaxel. Shaft
31	16 11 692-01 20				1	1	1	1	1	1	1	1	1	1	1	Återgångsfjäder Return spring
32	16 11 086-01 1				1	1	1	1	1	1	1	1	1	1	1	Kickstartvev Kick starter cpl.
33	16 11 672-02 1				1	1	1	1	1	1	1	1	1	1	1	Underdel, kick Lower part, kickstarter
34	16 11 083-01 1				1	1	1	1	1	1	1	1	1	1	1	Kickstartpedal Kick starter pedal
36	72 55 366-01 1				1	1	1	1	1	1	1	1	1	1	1	Skruv M6 x 12. Screw

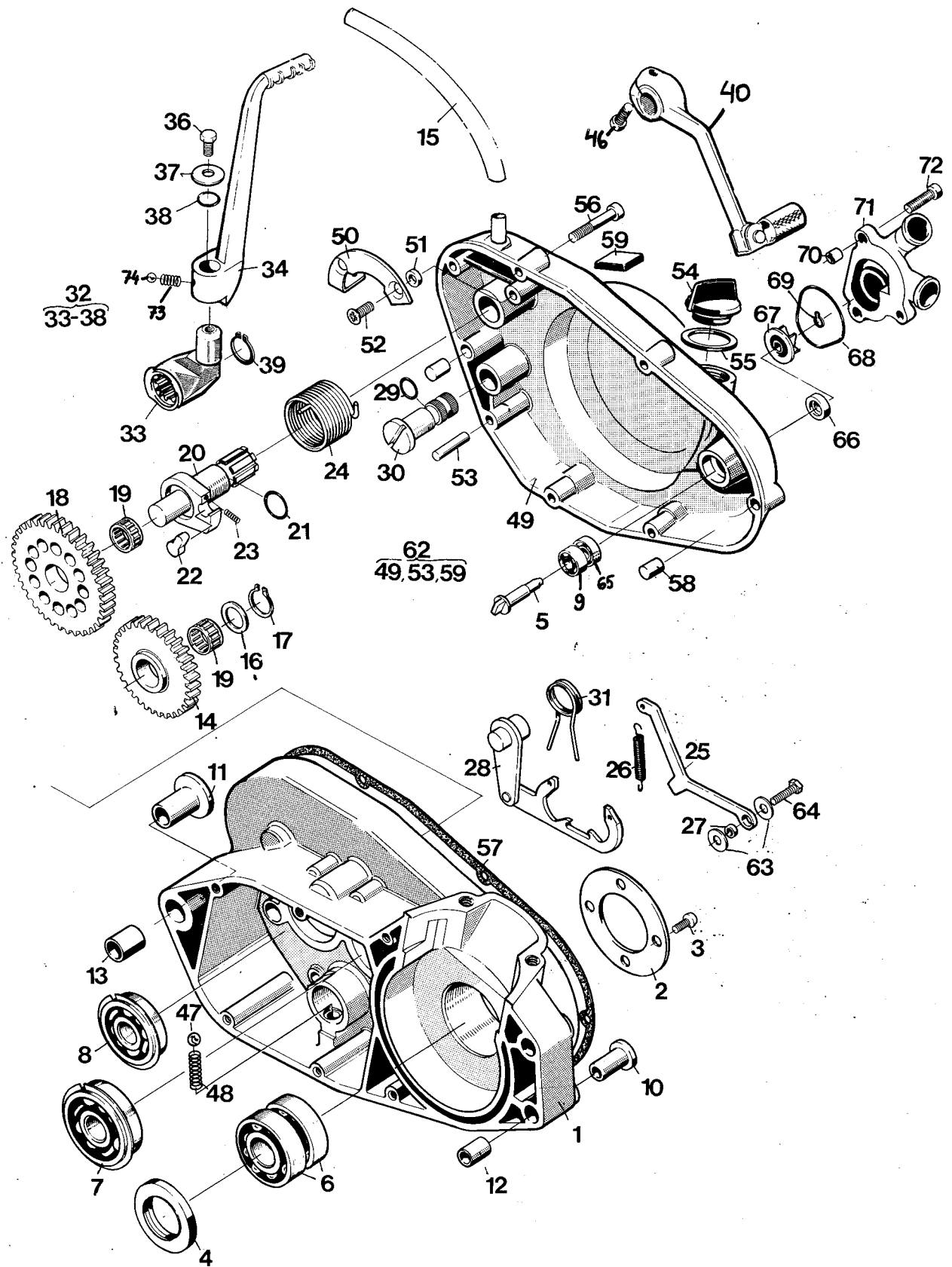


Fig.	Reservdelsnummer Sparepart number	Antal - Quantity													Benämning, Description
		125			240		250			400		500		400	
		CR	WR	XC	CR	WR	CR	WR	XC	EU WR	US WR	CR	XC	XC	
37	16 11 298-01				1	1	1	1	1	1	1	1	1	1	Bricka. Washer
38	74 04 313-10				1	1	1	1	1	1	1	1	1	1	O-ring
39	73 53 122-00				1	1	1	1	1	1	1	1	1	1	Spårring. Circlip
40	16 16 359-01				1	1	1	1	1	1	1	1	1	1	Fotväxelpedal, kpl. Shift lever compl.
46	72 55 370-01				1	1	1	1	1	1	1	1	1	1	Skruv M6 x 22. Screw
47	73 86 130-03				1	1	1	1	1	1	1	1	1	1	Kula. Ball
48	16 12 745-01				1	1	1	1	1	1	1	1	1	1	Fjäder. Spring
50	16 11 704-01				1	1	1	1	1	1	1	1	1	1	Fjäderhållare Spring holder
51	16 11 706-01				2	2	2	2	2	2	2	2	2	2	Distans. Distance
52	72 43 370-50				2	2	2	2	2	2	2	2	2	2	Skruv M6 x 20. Screw
53	72 01 361-50				1	1	1	1	1	1	1	1	1	1	Räffelpinne. Pin
54	16 10 786-02				1	1	1	1	1	1	1	1	1	1	Lock. Cap
55	16 12 788-01				1	1	1	1	1	1	1	1	1	1	Packning. Gasket
56	72 55 379-01				7	7	7	7	7	7	7	7	7	7	Skruv M6 x 45. Screw
57	16 11 650-01				1	1	1	1	1	1	1	1	1	1	Packning. Gasket
58	16 11 708-01				2	2	2	2	2	2	2	2	2	2	Styrhylsa. Steering sleeve
59	16 11 709-02				1	1	1	1	1	1	1	1	1	1	Gummistop, kickstart Buffer
61	72 31 328-01				2	2	2	2	2	2	2	2	2	2	Skruv M5 x 14. Screw
62	16 19 874-01				1	1	1	1	1	1	1	1	1	1	Vevhuskåpa vänster, kpl. Transmission cover compl.
63	15 13 734-01				2	2	2	2	2	2	2	2	2	2	Bricka 6.4 x 14. Washer
64	72 52 368-53				1	1	1	1	1	1	1	1	1	1	Skruv M6 x 16. Screw
65	73 82 198-04				1	1	1	1	1	1	1	1	1	1	Lager. Bearing
66	16 17 958-01				1	1	1	1	1	1	1	1	1	1	Tätning. Seal
67	16 17 951-01				1	1	1	1	1	1	1	1	1	1	Pumphjul. Pump wheel
68	74 04 834-03				1	1	1	1	1	1	1	1	1	1	O-ring
69	73 53 108-00				1	1	1	1	1	1	1	1	1	1	Låsring. Circlip
70	16 17 955-01				2	2	2	2	2	2	2	2	2	2	Styrstift. Peg
71	16 17 967-01				1	1	1	1	1	1	1	1	1	1	Pumphus. Pump housing
72	72 55 371-01				3	3	3	3	3	3	3	3	3	3	Skruv M6 x 22. Screw
73	16 11 084-01				1	1	1	1	1	1	1	1	1	1	Fjäder. Spring
74	73 86 120-03				1	1	1	1	1	1	1	1	1	1	Kula. Ball

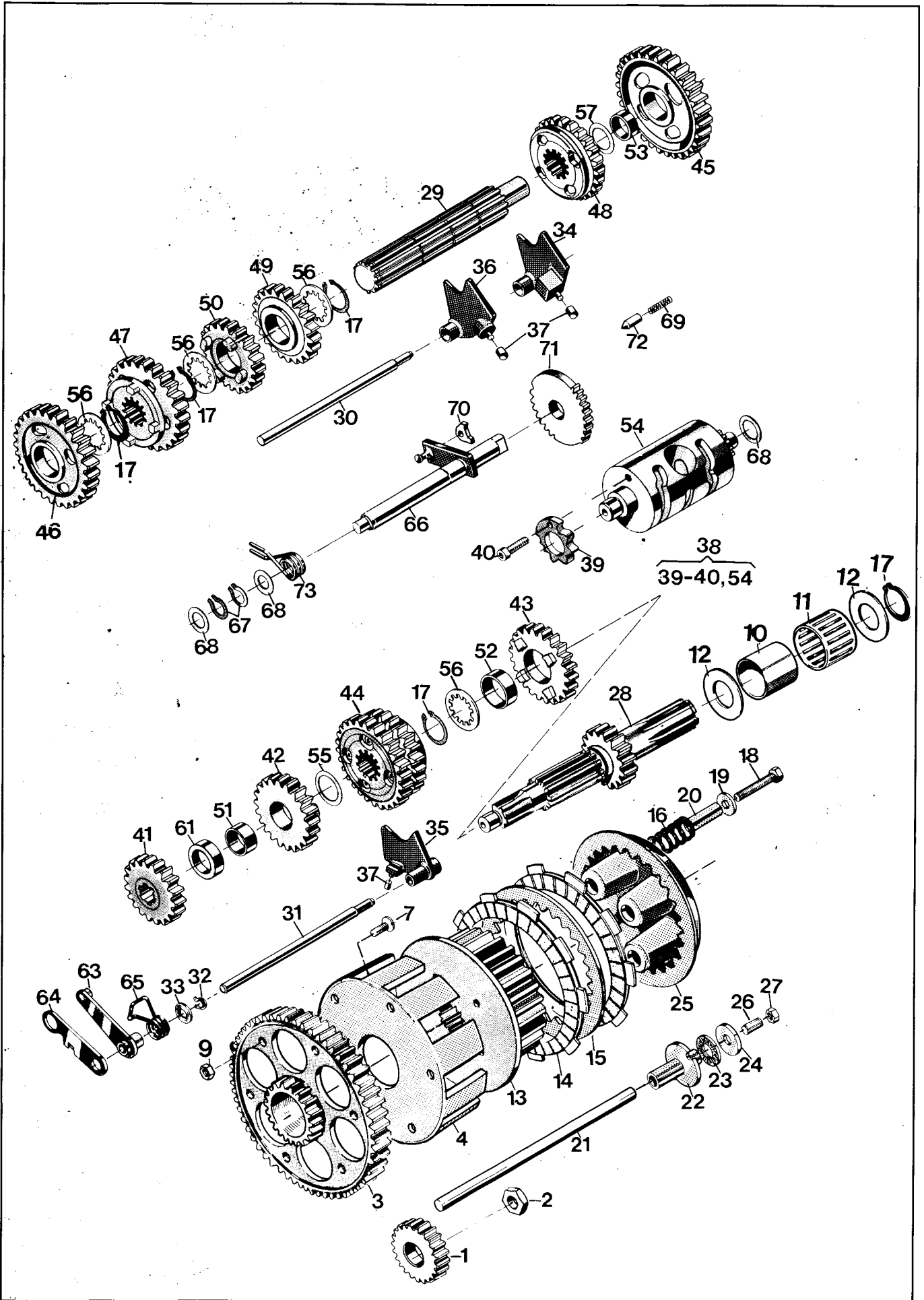


Fig.	Reservdelnummer Sparepart number	Antal - Quantity														Benämning, Description
		125			240		250			400		500		400		
		CR	WR	XC	CR	WR	CR	WR	XC	EU WR	US WR	CR	XC	XC		
1	16 11 174-01 1	1	1	1												Drivhjul z = 29 18 Driving gear
2	16 11 175-01 3	1	1	1												Mutter. Nut
3	16 11 283-01 2	1	1	1												Kopplingskrans Clutch gear
4	16 11 203-01 3	1	1	1												Kopplingskorg Clutch ring
7	72 56 367-55 20	6	6	6												Skruv M6 x 16. Screw
9	73 12 316-55 20	6	6	6												Mutter. Nut
10	16 11 670-01 3	1	1	1												Innerring. Internal ring
11	16 11 671-01 3	1	1	1												Nållager Needle bearing
12	16 11 155-01 5	2	2	2												Bricka. Washer
13	16 11 156-01 3	1	1	1												Kopplingscentrum Clutch hub
14	16 15 106-01 7	7	7	7												Lamell m. belägg Disc w. lining
15	16 15 107-01 6	6	6	6												Lamell. Disc
16	16 15 265-01 5	5	5	5												Kopplingsfjäder Clutch spring
17	73 53 126-00 4	4	4	4												Spårring. Circlip
18	72 52 378-71 5	5	5	5												Skruv M6 x 40. Screw
19	73 44 926-01 5	5	5	5												Bricka. Washer
20	16 11 169-01 5	5	5	5												Distanshylsa Distance sleeve
21	16 17 003-02 3	1	1	1												Tryckstång. Push rod
22	16 11 170-01 3	1	1	1												Axelhylsa Shaft sleeve
23	16 11 166-01 5	1	1	1												Axiällager Axial bearing
24	16 11 167-01 3	1	1	1												Axialbricka Axial washer
25	16 11 168-01 3	1	1	1												Tryckskiva Pressure plate
26	78 85 370-00 1	1	1	1												Skruv TSS6 x 20. Screw
27	15 13 703-01 1	1	1	1												Mutter M6. Nut
28	16 12 345-01 1	1	1	1												Huvudaxel z = 14 Clutch shaft
	16 11 697-01 1	1														Huvudaxel z = 15 Clutch shaft
29	16 11 280-01 2	1	1	1												Hjälpaxel Sprocket shaft
30	16 12 843-01 3	1	1	1												Axel. Shaft
31	16 12 484-01 3	1	1	1												Axel. Shaft
32	73 53 112-00 1	1	1	1												Spårring. Circlip
33	16 12 485-01 1	1	1	1												Bricka. Washer
34	16 11 082-01 3	1	1	1												Växelförare kpl. 1-5 Gear striker
35	16 11 081-01 3	1	1	1												Växelförare kpl. 3-4 Gear striker
36	16 11 080-01 3	1	1	1												Växelförare kpl. 6-2 Gear striker
37	16 12 424-01 1	1	1	1												Ledrulle. Guide roller
38	16 12 486-01 1	1	1	1												Kulissrulle, kpl. Linkroller compl.
39	16 12 488-01 1	1	1	1												Spårrhjul. Ratchet wheel
40	72 55 366-06 1	1	1	1												Skruv M6 x 12. Screw
41	16 12 351-01 2	1	1	1												Kugghjul 2:an z = 17 Gear wheel

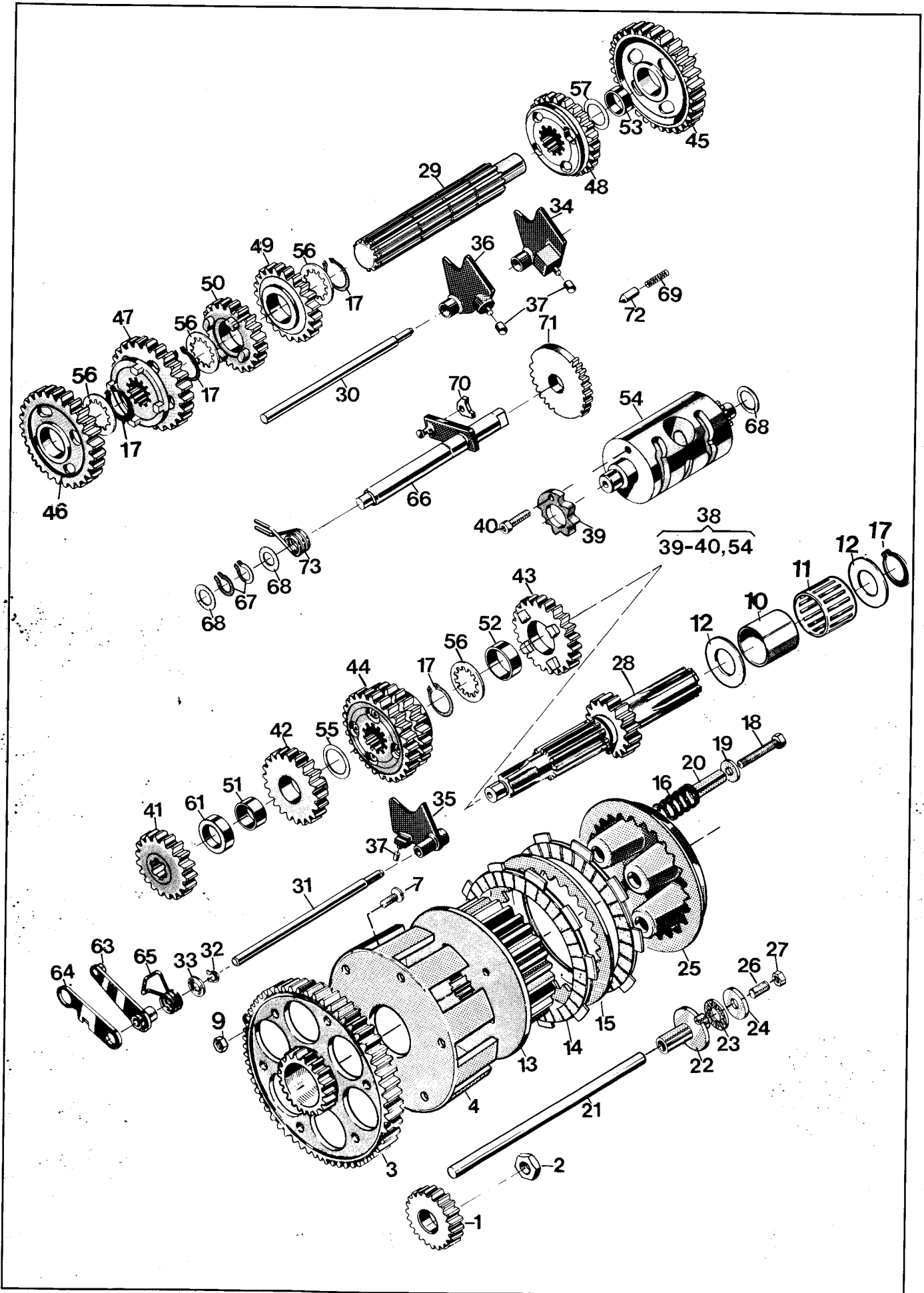


Fig.	Reservdelnummer Sparepart number	Antal - Quantity														Benämning, Description	
		125			240		250			400		500		400			
		CR	WR	XC	CR	WR	CR	WR	XC	EU WR	US WR	CR	XC	XC			
N	16 16 006-01	2	1														Kuggghjul 2:an z = 18 Gear wheel
42	16 12 363-01	3	1														Kuggghjul 3:an z = 24 18 Gear wheel
	16 12 349-01	3		1	1												Kuggghjul 3:an z = 20 Gear wheel
43	16 11 837-01	2		1	1												Kuggghjul 4:an z = 23 Gear wheel
N	16 16 007-01	2	1														Kuggghjul 4:an z = 21 Gear wheel
44	16 12 390-01	2		1	1												Kuggghjul 5-6:an z = 25, 27 Gear wheel
N	16 16 008-01	2	1														Kuggghjul 5:an, 6:an z = 23, 24 Gear wheel
45	16 11 711-01	2	1														Kuggghjul 1:an z = 31 Gear wheel
	16 12 346-01	2		1	1												Kuggghjul 1:an z = 33 Gear wheel
46	16 12 347-01	2		1	1												Kuggghjul 2:an z = 29 Gear wheel
N	16 16 009-01	2	1														Kuggghjul 2:an z = 28 Gear wheel
47	16 12 386-01	2	1														Kuggghjul 3:an z = 26 Gear wheel
	16 12 387-01	2		1	1												Kuggghjul 3:an z = 26 Gear wheel
48	16 12 388-01	2		1	1												Kuggghjul 4:an z = 24 Gear wheel
N	16 16 010-01	2	1														Kuggghjul 5:an z = 22 Gear wheel
49	16 11 715-01	2		1	1												Kuggghjul 5:an z = 22 Gear wheel
N	16 16 011-01	2	1														Kuggghjul 6:an z = 22 Gear wheel
N	16 16 012-01	2	1														Kuggghjul 6:an z = 20 Gear wheel
	16 12 357-01	2		1	1												Lagerhylsa Sleeve
51	16 12 480-01	5	1	1	1												Lagerhylsa Sleeve
52	16 12 418-01	5	1	1	1												Lagerhylsa Sleeve
53	16 12 415-01	5	1	1	1												Lagerhylsa Sleeve
56	16 11 717-01	20	4	4	4												Stödbricka Washer
57	15 13 714-01	10	1	1	1												Stödbricka Washer
61	16 12 481-01	2	1	1	1												Distansring Spacer
63	16 12 489-01	2	1	1	1												Spärrarm Ratchet arm
64	16 12 493-01	2	1	1	1												Distansarm Distance arm
65	16 12 494-01	2	1	1	1												Fjäder Spring
66	16 11 279-01	1	1	1	1												Växlingsaxel Gear shaft
67	73 53 117-00	10	2	2	2												Spårring Circlip
68	50 32 300-14	10	3	3	3												Bricka Washer
69	16 12 593-01	10	1	1	1												Fjäder Spring
70	16 12 895-01	2	1	1	1												Medbringare Pawl
71	16 12 870-01		1	1	1												Stegmatore Stepfeder
72	16 12 455-01	3	1	1	1												Spärrhylsa Ratchet sleeve
73	16 12 594-01	3	1	1	1												Fjäder Spring

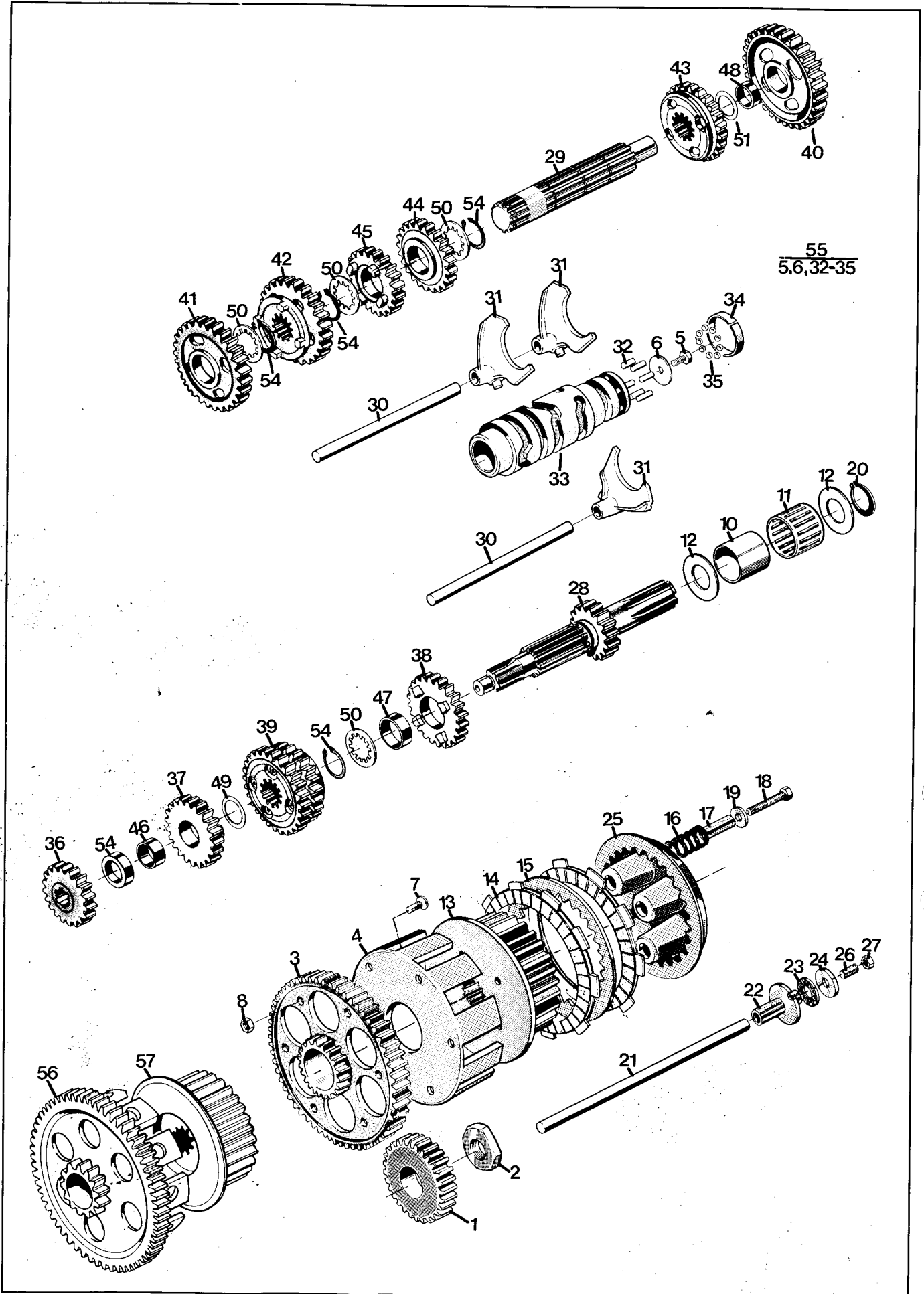


Fig.	Reservdelsnummer Sparepart number	Antal - Quantity													Benämning, Description			
		125			240		250			400		500		400				
		CR	WR	XC	CR	WR	CR	WR	XC	EU WR	US WR	CR	XC	XC				
1	16 11 178-01 16 11 075-01					1		1	1				1	1		1	1	Drivhjul Driving gear
2	16 11 101-01					1		1	1	1	1				1	1	Mutter. Nut	
3	16 14 427-01														1		Kopplingskrans Gear wheel, clutch	
4	16 11 203-01														1		Kopplingskorg	
5	72 52 364-86					1		1		1	1				1	1	Skruv M6 x 10. Screw	
6	15 13 709-01					1		1	1	1	1				1	1	Bricka 6.5 x 22. Washer	
7	72 56 367-55														6		Skruv. Screw	
8	73 12 316-55														6		Mutter M6. Nut	
10	16 11 670-01					1		1	1	1	1				1	1	Innerring Internal ring	
11	16 11 671-01					1		1	1	1	1				1	1	Nålhållare Needle ring	
12	16 11 155-01					2		2	2	2	2				2	2	Bricka. Washer	
14	16 15 106-01		100			8		8	8	8	8				8	8	Lamell. Disc	
15	16 15 107-01		100			7		7	7	7	7				7	7	Lamell. Disc	
16	16 15 265-01 16 15 265-02					5		5	5	5	5				5		Kopplingsfjäder Clutch spring	
17	16 11 169-01					5		5	5	5	5				5	5	Distanshylsa Distance sleeve	
18	72 52 378-71					5		5	5	5	5				5	5	Skruv M6 x 40. Screw	
19	73 44 926-01					5		5	5	5	5				5	5	Bricka. Washer	
20	73 53 126-00					1		1	1	1	1				1	1	Spårring. Circlip	
21	16 15 315-01					1		1	1	1	1				1	1	Tryckstång. Push rod	
22	16 11 170-01					1		1	1	1	1				1	1	Axeldel. Shaft	
23	16 11 166-01					1		1	1	1	1				1	1	Axiallager. Axial bearing	
24	16 11 167-01					1		1	1	1	1				1	1	Axialbricka. Axial washer	
25	16 11 168-02					1		1	1	1	1				1	1	Tryckskiva. Pressure plate	
26	72 85 370-00					1		1	1	1	1				1	1	Skruv. Screw	
27	73 12 316-55					1		1	1	1	1				1	1	Mutter. Nut	
28	16 12 345-01 16 12 360-01					1		1	1		1	1			1	1	Huvudaxel. Clutch shaft Huvudaxel. Clutch shaft	
29	16 12 350-01					1		1	1	1	1				1	1	Hjälpaxel Sprocket shaft	
30	16 11 699-01					2		2	2	2	2				2	2	Axel. Shaft	
31	16 12 384-01					3		3	3	3	3				3	3	Växelförare Gear striker	
32	72 01 268-50					6		6	6	6	6				6	6	Pinne. Pin	
34	16 12 699-01					1		1	1	1	1				1	1	Kulbana. Outer race	
35	73 86 120-03					11		11	11	11	11				11	11	Kula. Ball	
36	16 12 362-01 16 12 351-01					1		1	1		1	1			1	1	Kugghjul 2:an Huvudaxel Gear wheel	
37	16 12 363-01 16 12 349-01					1		1	1		1	1			1	1	Kugghjul 3:an Huvudväxel Gear wheel	
38	16 11 837-01					1		1	1	1	1				1	1	Kugghjul 4:an Huvudaxel Gear wheel	
39	16 12 390-01					1		1	1	1	1				1	1	Kugghjul 5:an-6:an Huvudaxel Gear wheel	
40	16 12 361-01 16 12 346-01					1		1	1		1	1			1	1	Kugghjul 1:an Hjälpaxel Gear wheel	
41	16 12 365-01										1	1			1	1	Kugghjul 2:an Hjälpaxel	

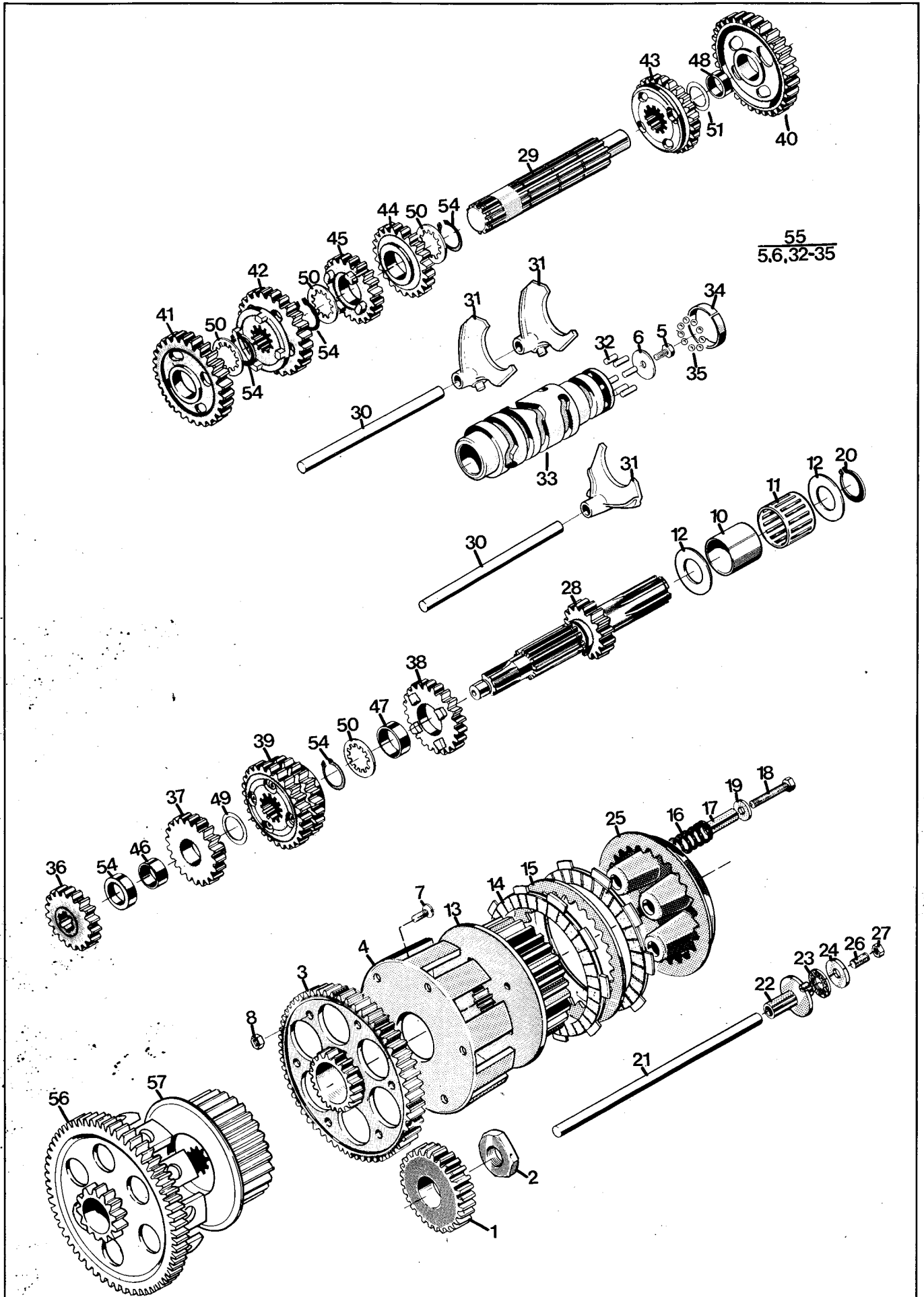


Fig.	Reservdelsnummer Sparepart number	Antal - Quantity												Benämning, Description		
		125			240		250			400		500			400	
		CR	WR	XC	CR	WR	CR	WR	XC	EU WR	US WR	CR	XC		XC	
	16 12 347-01 2					1		1	1							Kuggghjul 2:an Hjälpaxel Gear wheel
42	16 12 386-01 2					1		1	1	1	1			1	1	Kuggghjul 3:an Hjälpaxel Gear wheel
	16 12 387-01 2															
43	16 12 388-01 2					1		1	1	1	1			1	1	Kuggghjul 4:an Hjälpaxel Gear wheel
44	16 11 715-01 3					1		1	1	1	1			1	1	Kuggghjul 5:an Hjälpaxel Gear wheel
45	16 12 357-01 3					1		1	1	1	1			1	1	Kuggghjul 6:an Hjälpaxel Gear wheel
46	16 12 480-01 5					1		1	1	1	1			1	1	Lagerhylsa 3:an Huvudaxel Sleeve
47	16 12 418-01 5					1		1	1	1	1			1	1	Lagerhylsa 4:an Huvudaxel Sleeve
48	16 12 415-01 5					1		1	1	1	1			1	1	Lagerhylsa 1:an Hjälpaxel Sleeve
49	16 12 842-01 10					1		1	1	1	1			1	1	Stödbricka Washer
50	16 11 717-01 20					4		4	4	4	4			4	4	Stödbricka Washer
51	15 13 714-01 10					1		1	1	1	1			1	1	Stödbricka Washer
53	16 12 481-01					1		1	1	1	1			1	1	Distansring, huvudaxel Spacer, clutch shaft
54	73 53 126-00 20					5		5	5	5	5			5	5	Spårring Circlip
55	16 11 701-01					1		1	1	1	1			1	1	Kulissrulle, kpl. Link roller
N 56	16 14 425-01 2					1		1	1							Kopplingskrans Gear wheel clutch
	16 14 426-01 2									1	1				1	Kopplingskrans Gear wheel clutch
57	16 15 088-01 5					1		1	1	1	1			1	1	Kopplingscentrum Clutch hub

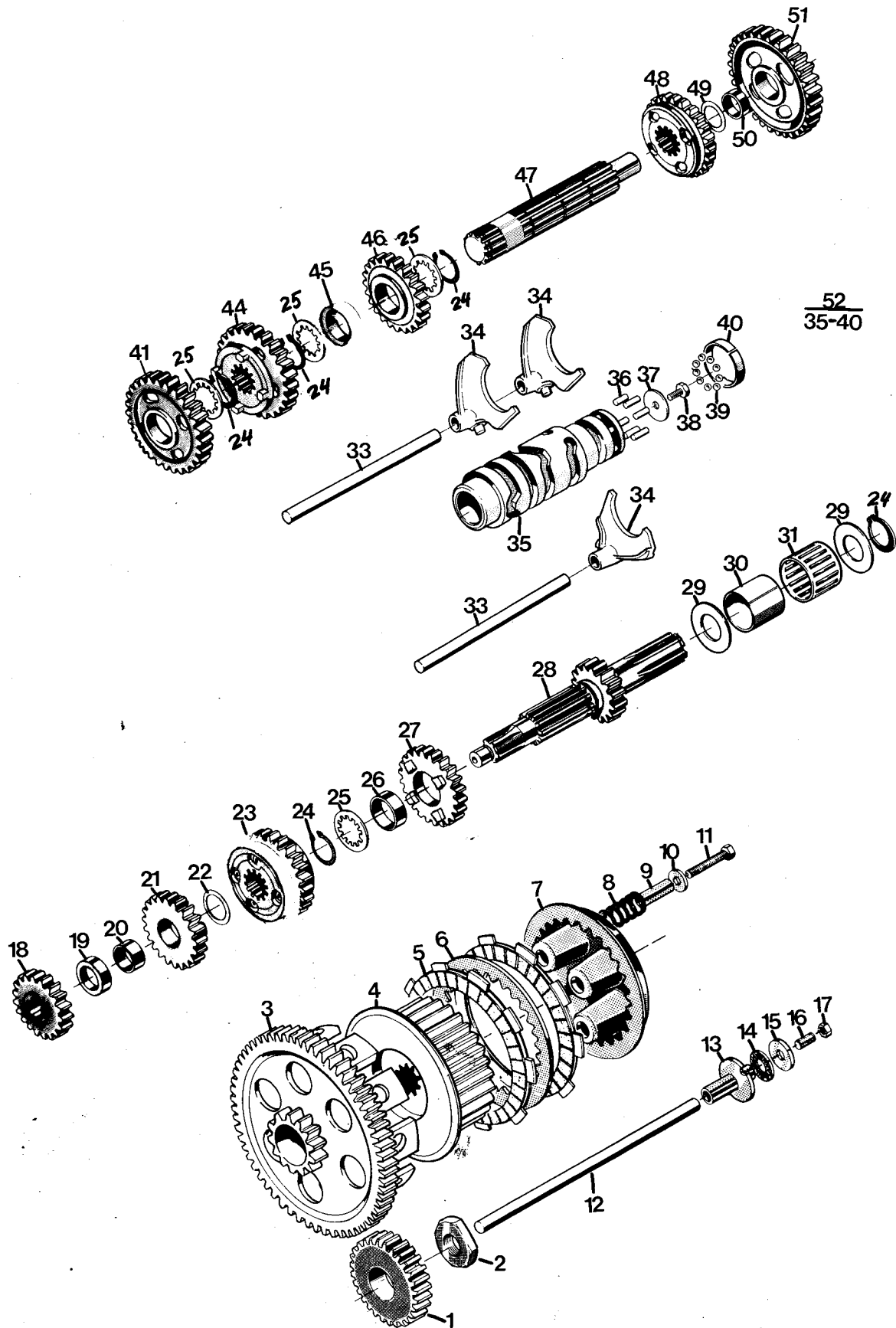


Fig.	Reservdelnummer Sparepart number	Antal - Quantity													Benämning, Description	
		125			240		250			400		500		400		
		CR	WR	XC	CR	WR	CR	WR	XC	EU WR	US WR	CR	XC	XC		
1	16 11 178-01 1				1		1									Drivhjul. Driving gear
2	16 11 101-01 5				1		1									Mutter. Nut
3	16 14 425-01 2				1		1									Kopplingskrans Gear wheel, clutch
4	16 15 088-01 5				1		1									Kopplingscentrum Clutch hub
5	16 15 106-01 100				8		8									Lamell med belägg Clutch plate with lining
6	16 15 107-01 100				7		7									Lamell. Clutch plate
7	16 11 168-02 5				1		1									Tryckplatta. Pressure plate
8	16 15 265-01 10				5		5									Fjäder. Spring
9	16 11 169-01 5				5		5									Distans. Spacer
10	73 44 926-01 10				5		5									Bricka. Washer
11	72 52 378-71 10				5		5									Skruv M6 x 40. Screw
12	16 15 315-01 5				1		1									Tryckstång. Push rod
13	16 11 170-01 5				1		1									Axeldel. Shaft
14	16 11 166-01 15				1		1									Axiallager. Bearing
15	16 11 167-01 5				1		1									Axialbricka. Washer
16	72 85 370-00 10				1		1									Skruv M6 x 20. Screw
17	15 13 703-01 10				1		1									Mutter. Nut
18	16 12 352-01 2				1		1									Kuggghjul 2:an. Gear wheel 2:nd
19	16 12 481-01 2				1		1									Distans. Spacer
20	16 12 480-01 5				1		1									Lagerhylsa. Sleeve
21	16 11 703-01 5				1		1									Kuggghjul 3:an. Gear wheel 3:rd
22	16 12 842-01 10				1		1									Bricka. Washer
23	16 14 595-01 5				1		1									Kuggghjul 5:an. Gear wheel 5:th
24	73 53 126-00 20				5		5									Spårring. Circlip
25	16 11 717-01 20				4		4									Stöbricka. Washer
26	16 12 418-01 5				1		1									Lagerhylsa. Sleeve
27	16 11 837-01 5				1		1									Kuggghjul 4:an. Gear wheel 4:th
28	16 16 002-01 2				1		1									Huvudaxel. Mainshaft
29	16 11 155-01 10				2		2									Bricka. Washer
30	16 11 670-01 5				1		1									Innerring. Sleeve
31	16 11 671-01 5				1		1									Nållager. Needle bearing
33	16 11 699-01 10				2		2									Axel. Shaft
34	16 12 384-01 20				3		3									Växelförare. Shift fork
36	72 01 268-50 10				6		6									Pinne. Pin
37	15 13 709-01 5				1		1									Bricka. Washer
38	72 52 364-86 5				1		1									Skruv M6 x 10. Screw
39	73 86 120-03 20				11		11									Kula. Ball
40	16 12 699-01 2				1		1									Kulbana. Race
41	16 12 354-01 3				1		1									Kuggghjul 2:an. Gear wheel 2:nd
44	16 12 385-01 5				1		1									Kuggghjul 3:an. Gear wheel 3:rd
45	16 14 594-01 2				1		1									Distans. Spacer
46	16 11 715-01 5				1		1									Kuggghjul 5:an. Gear wheel 5:th
47	16 12 350-01 5				1		1									Hjälpaxel. Auxiliary shaft
48	16 12 388-01 5				1		1									Kuggghjul 4:an. Gear wheel 4:th
49	15 13 714-01 10				1		1									Bricka. Washer
50	16 12 415-01 5				1		1									Lagerhylsa. Sleeve
51	16 16 003-01 5				1		1									Kuggghjul 1:an. Gear wheel 1:st
52	16 14 596-01				1		1									Kulissrulle kpl. Shift drum

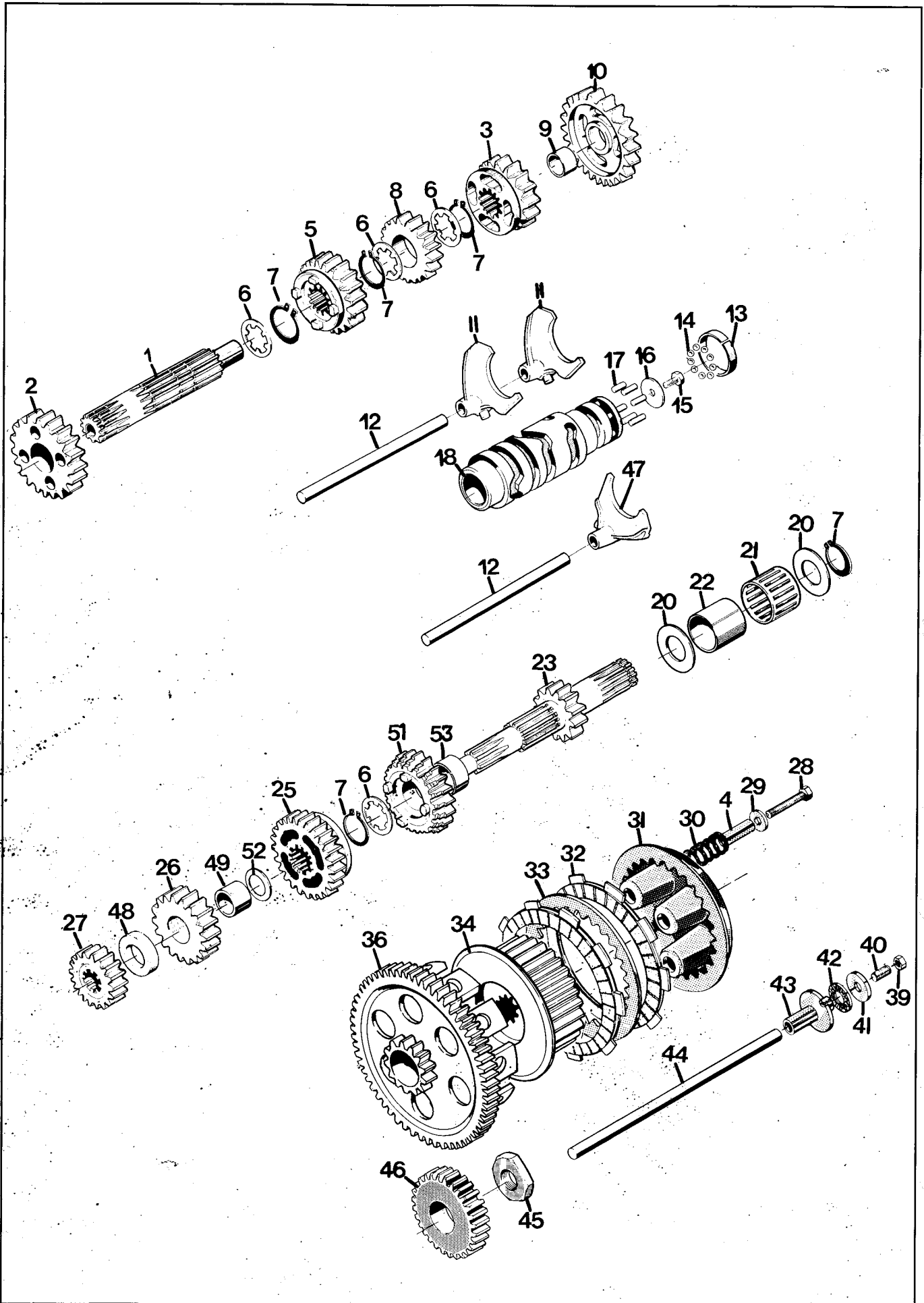


Fig.	Reservdelnummer Sparepart number	Antal - Quantity														Benämning, Description	
		125			240		250			400		500		400			
		CR	WR	XC	CR	WR	CR	WR	XC	EU WR	US WR	CR	XC	XC			
N	1	16 16 026-01	3												1		Hjälpxaxel. Auxiliary shaft
N	2	16 16 022-01	3												1		Kuggghjul 2:an Gearwheel 2:nd z = 26
N	3	16 16 024-01	3												1		Kuggghjul 4:an. Gearwheel 5:th z = 22 <i>4th z = 22</i>
	4	16 11 160-01													5		Distans. Spacer
N	5	16 16 023-01	3												1		Kuggghjul 3:an. Gearwheel 3:th z = 24 <i>3. gear</i>
	6	16 11 717-01	20												4		Stödbricka. Support washer
	7	73 53 126-00	20												5		Spårring. Circlip
N	8	16 16 025-01	3												1		Kuggghjul 5:an. Gearwheel 5:th z = 20 <i>5. gear</i>
N	9	16 12 415-01	10												1		Lagerhylsa. Bearing sleeve
N	10	16 16 021-01	3												1		Kuggghjul 1:an. Gearwheel 1:st z = 29
	11	16 12 384-01	10												2		Växelförare. Shiftfork
	12	16 11 699-01	10												2		Axel. Shaft
	13	16 12 699-01	1												1		Kulbana. Outer race
	14	73 86 120-03	1												11		Kula. Ball
	15	72 52 364-86	1												1		Skruv M6 x 10. Screw
	16	15 13 709-01	1												1		Bricka 6.5 x 22 x 1.5. Washer
	17	72 01 268-50	1												6		Pinne. Pin
N	19	16 16 354-01	1												1		Kulissrulle, kpl. Linkroller compl.
	20	16 11 155-01	10												2		Bricka. Washer
	21	16 11 671-01	5												1		Nållager, 28 x 33 x 27. Needle bearing
	22	16 11 670-01	5												1		Innerring. Bearing sleeve
N	23	16 16 016-01	2												1		Huvudaxel. Mainshaft z = 17
?	24	16 12 381-01	1												1		Lagringshylsa. Bearing sleeve
N	25	16 16 020-01	1												1		Kuggghjul 3:an. Gearwheel 3:rd z = 27 <i>5. gear</i>
N	26	16 16 018-01	3												1		Kuggghjul 3:an. Gearwheel 3:th z = 22 <i>3. rd</i>
N	27	16 16 017-01	2												1		Kuggghjul 2:an. Gearwheel 2:nd z = 19
	28	72 52 378-71	10												5		Skruv, M6 x 40. Screw
	29	73 44 926-01	10												5		Bricka, 8.4 x 17. Washer
	30	16 15 265-02	10												5		Kopplingsfjäder. Clutch spring
	31	16 11 168-02	5												1		Tryckskiva. Pressure plate
	32	16 15 106-01	100												8		Lamell med belägg. Disc with lining
	33	16 15 107-01	100												7		Lamell. Disc
	34	16 15 088-01	5												1		Kopplingscentrum. Clutch hub
	36	16 14 426-01	3												1		Kopplingskorg. Clutch ring
	39	15 13 703-01	10												1		Mutter M6. Nut
	40	72 85 370-00	10												1		Skruv M6. Screw
	41	16 11 167-01	5												1		Bricka. Washer
	42	16 11 166-01	5												1		Axiallager. Bearing
	43	16 11 170-01	5												1		Axeldel. Shaft
	44	16 15 315-01	5												1		Tryckstång. Push rod
	45	16 11 101-01	5												1		Mutter. Nut
	46	16 11 075-01	1												1		Drivhjul. Drive gear
N	47	16 16 015-01	2												1		Distans. Spacer <i>Schaltblauen</i>
N	49	16 16 360-01	5												1		Lager Hylsa. Bearing sleeve
N	50	16 16 361-01	5												1		Lager hylsa. Bearing sleeve
N	51	16 16 019-01	3												1		Kuggghjul 4:an. Gearwheel 4:th z = 25 <i>4. th</i>
N	52	16 12 842-01	10												1		Bricka. Washer
N	53	16 16 361-01	3												1		Lagerhylsa. Bearing sleeve
	47	16 16 015-01															gear shifter - <i>Schaltblauen</i>

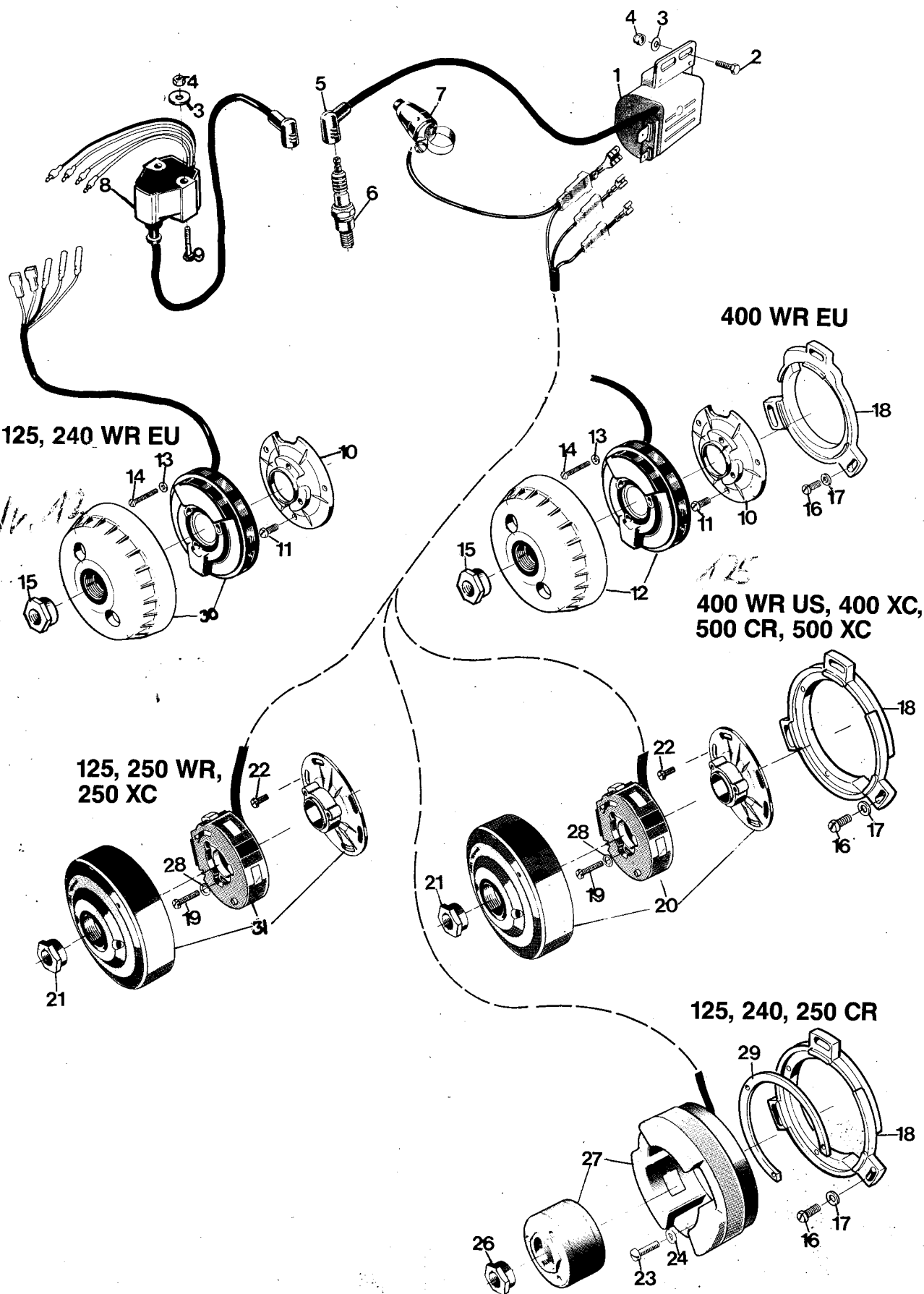


Fig.	Reservdelsnummer Sparepart number	Antal - Quantity													Benämning, Description
		125			240		250			400		500		400	
		CR	WR	XC	CR	WR	CR	WR	XC	EU WR	US WR	CR	XC	XC	
1	16 14 714-01 5	1		1	1		1	1	1		1	1	1	1	Tändspole. Ignition coil
2	72 52 368-51 10	2		2	2		2		2		2	2	2	2	Skruv M6 x 16. Screw
3	73 41 153-01 10	2	2	2	2	2	2	2	2	2	2	2	2	2	Bricka 6.4 x 12. Washer
4	73 22 116-01 10	2	2	2	2	2	2	2	2	2	2	2	2	2	Mutter M6. Nut
5	16 14 635-01 20	1	1	1	1	1	1	1	1	1	1	1	1	1	Tändstiftshatt Sparkling plug cap
206	16 14 769-01 -				1	1	1	1	1	1	1	1	1	1	Tändstift Bosch W4C. Spark plug
21	16 14 769-02 -	1	1	1											Tändstift Bosch W3C. Spark plug
7	15 17 281-01 5	1	1	1	1	1	1	1	1	1	1	1	1	1	Kortslutningsknapp Kill button
N 8	16 14 816-02 3		1			1									Tändspole. Ignition coil
	16 14 817-02 3									1					Tändspole. Ignition coil
9	72 52 380-51 10		2			2				2					Skruv M6 x 50. Screw
10	16 14 778-01 3		1			1				1					Fästplatta Mounting plate
11	72 55 332-55 10		3			3				3					Skruv M5 x 55. Screw
12	16 14 798-01 5		1			1				1					Magnet, kpl. Magneto, compl.
13	73 44 880-01 10		3			3				3					Bricka 5.3 x 12. Washer
14	72 31 335-55 10		3			3				3					Skruv M5 x 30. Screw
15	16 11 191-01 5		1			1				1					Mutter. Nut
16	72 55 332-55 10				3	3	3	3	3	3	3	3	3	3	Skruv M5 x 22. Screw
17	15 13 730-01 10				3	3	3	3	3	3	3	3	3	3	Bricka 6.4 x 12. Washer
18	16 14 165-01 10				1	1	1	1	1	1	1	1	1	1	Fästplatta. Mounting plate
19	72 55 295-55 10			3				3	3		3		3	3	Skruv M4 x 20. Screw
20	16 14 794-01 3									1	1	1	1	1	Magnet, kpl. Magneto, compl.
21	16 11 191-02 5			1				1	1		1	1	1	1	Mutter. Nut
22	72 55 328-01 10			3				3	3		3	3	3	3	Skruv M5 x 14. Screw
23	72 55 335-55 10	3			3			3							Skruv M5 x 25. Screw
24	15 13 730-01 10	3			3			3							Bricka 6.4 x 12. Washer
26	16 11 191-03 5	1			1			1							Mutter. Nut
27	16 14 790-01 5	1			1			1							Magnet, kpl. Magneto, compl.
28	73 44 851-01 10			3				3	3		3	3	3	3	Bricka 4.3 x 8. Washer
29	16 14 167-01 5	1			1			1							Distansplatta. Spacer plate
31	16 14 801-01 -			1				1	1						Magnet, kpl. Magneto, compl.

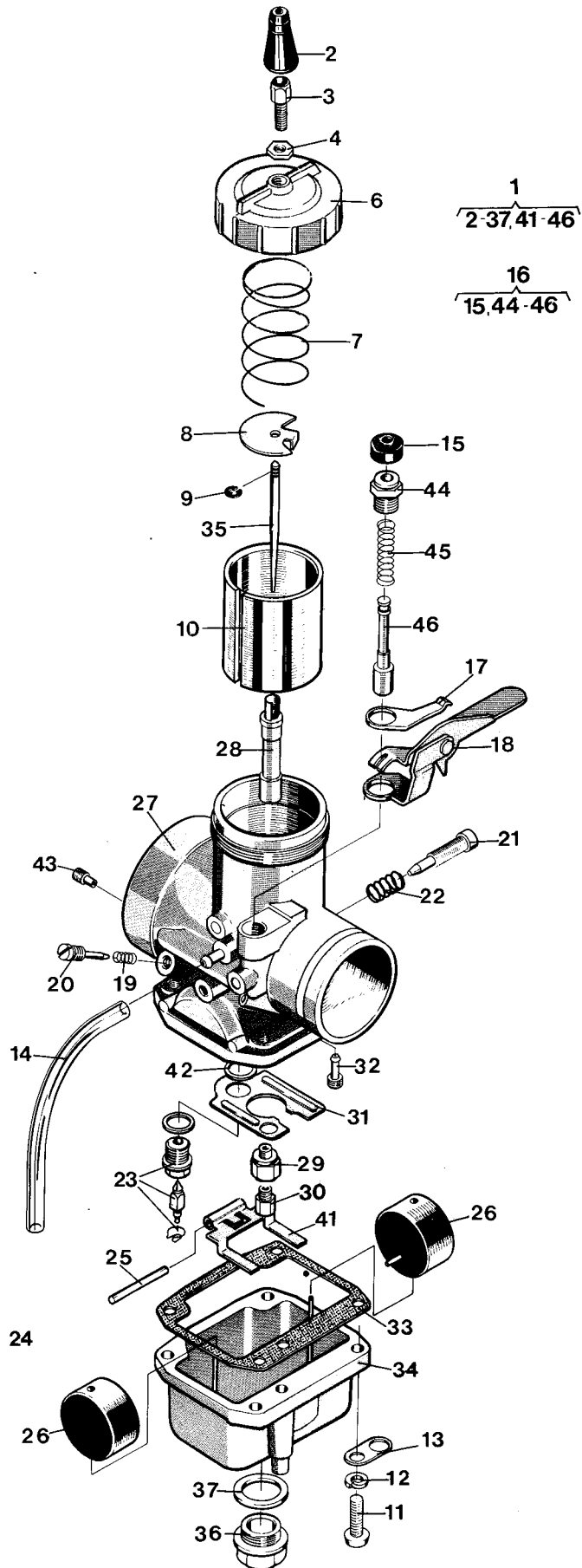
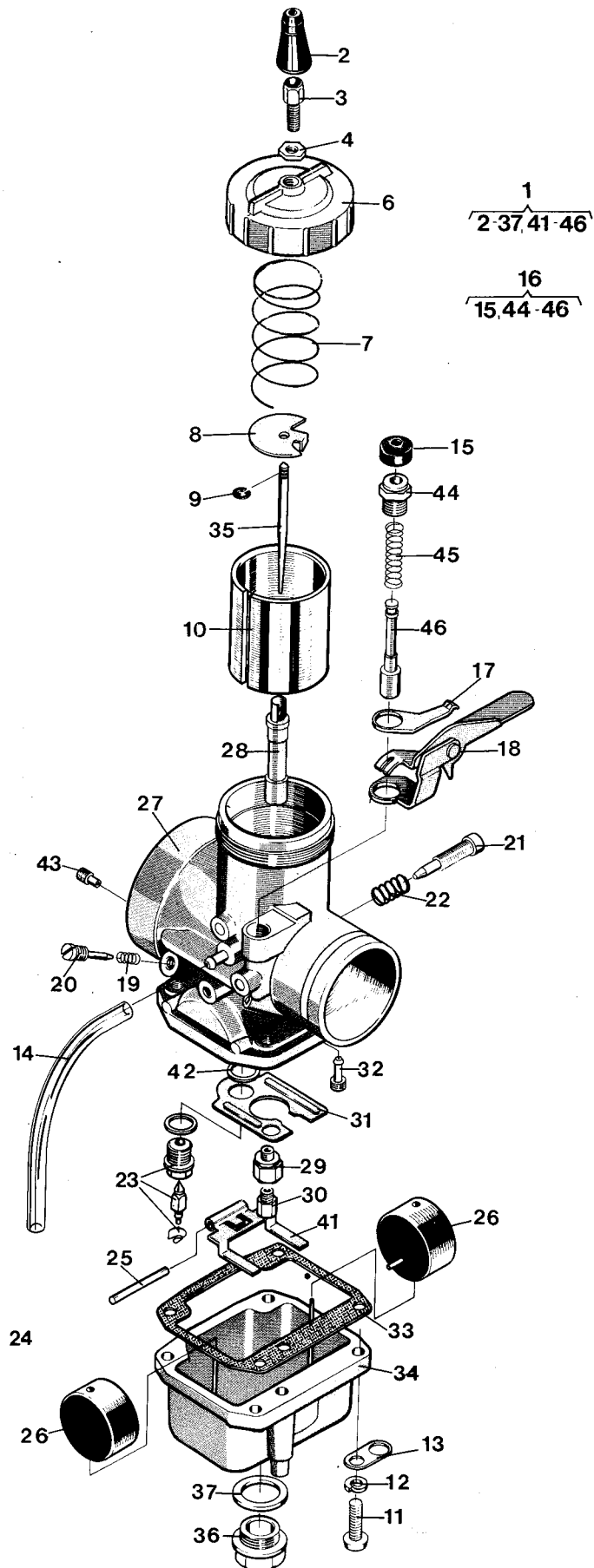


Fig.	Reservdelsnummer Sparepart number	Antal - Quantity												Benämning, Description		
		125			240		250			400		500			400	
		CR	WR	XC	CR	WR	CR	WR	XC	EU WR	US WR	CR	XC		XC	
N 1	16 13 834-01 16 13 833-01	1		1												Förgasare Mikuni Ø 36 mm Carburettor
2	16 13 777-01	1	1	1												Skyddshylsa. Protection sleeve
3	16 13 757-01	1	1	1												Ställskruv. Adjuster
4	16 13 758-01	1	1	1												Mutter. Nut
6	16 13 570-01	1	1	1												Förgasarlock. Cover
7	16 13 571-01	2	1	1	1											Fjäder. Spring
8	16 13 584-01	3	1	1	1											Wire lås. Wire lock
9	16 13 583-01	10	1	1	1											Nålclips. Needle clip
10	16 13 785-01	1	1	1	1											Trottel ca 2.0 (Ø 36 mm) Throttle
11	72 41 329-01	10	4	4	4											Skruv M5 x 16. Screw
12	73 51 146-01	10	4	4	4											Bricka. Washer
13	16 13 569-01	10	2	2	2											Hållare. Holder
14	16 13 448-01	2	2	2	2											Slang. Hose
15	16 13 590-01	1	1	1	1											Gummiskydd Rubber cap
16	16 13 589-01	1	1	1	1											Startventil kpl Start valve compl.
17	16 13 594-01	1	1	1	1											Fjäder. Spring
18	16 13 595-01	1	1	1	1											Chokereglage Choke lever
19	16 13 572-01	3	1	1	1											Fjäder. Spring
20	16 13 573-01	3	1	1	1											Luftskruv. Aircscrew
21	16 13 782-01	3	1	1	1											Ställskruv. Adjusting screw
22	16 13 587-01	3	1	1	1											Fjäder. Spring
23	16 13 565-01	3	1	1	1											Nålventil kpl. Needle valve compl.
24	16 13 585-01	2	2	2	2											Flottörstopp. Cap
25	16 13 566-01	2	1	1	1											Stift. Peg
26	16 13 578-01	4	2	2	2											Flottör. Float
28	16 13 790-01	2	1	1	1											Nålmunstycke R0. Needle jet
29	16 13 580-01	3	1	1	1											Mellanskruv Distance screw
30	16 13 682-01	10	1	1	1											Huvudmunstycke 340 Main jet
31	16 13 586-01	1	1	1	1											Skvalplåt Baffle plate
32	16 13 546-01	5	1	1	1											Tomgångsmunstycke P.J 45 Pilot jet
33	16 13 543-01	5	1	1	1											Packning. Gasket
34	16 13 778-01	1	1	1	1											Flottörhus. Float chamber
35	16 13 804-01	3	1	1	1											Nål 6L1. Needle
36	16 13 780-01	2	1	1	1											Bottenskruv Drain screw
37	16 13 781-01	5	1	1	1											Packning. Gasket
41	16 13 564-01	1	1	1	1											Flottörm Float lever
42	16 13 565-01	10	2	2	2											Bricka. Washer
43	16 13 568-01	2	1	1	1											Luftmunstycke 2.0 Air jet



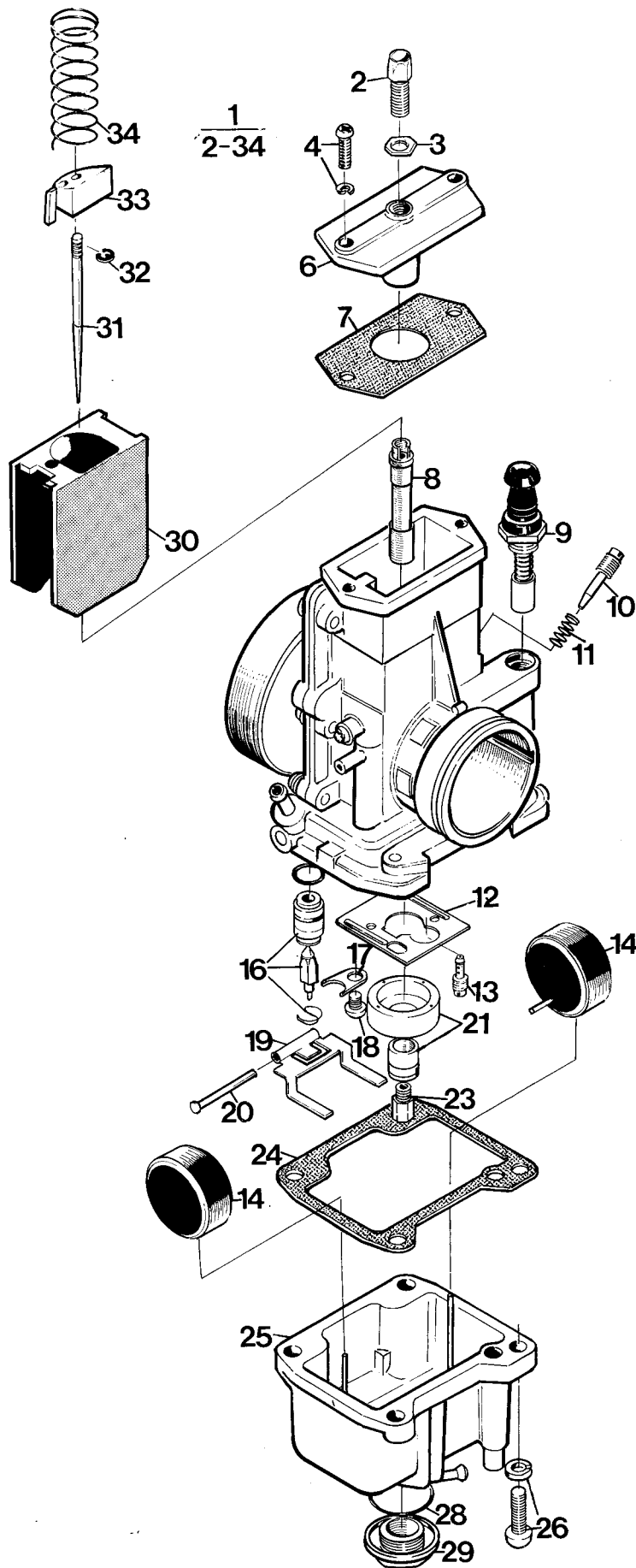
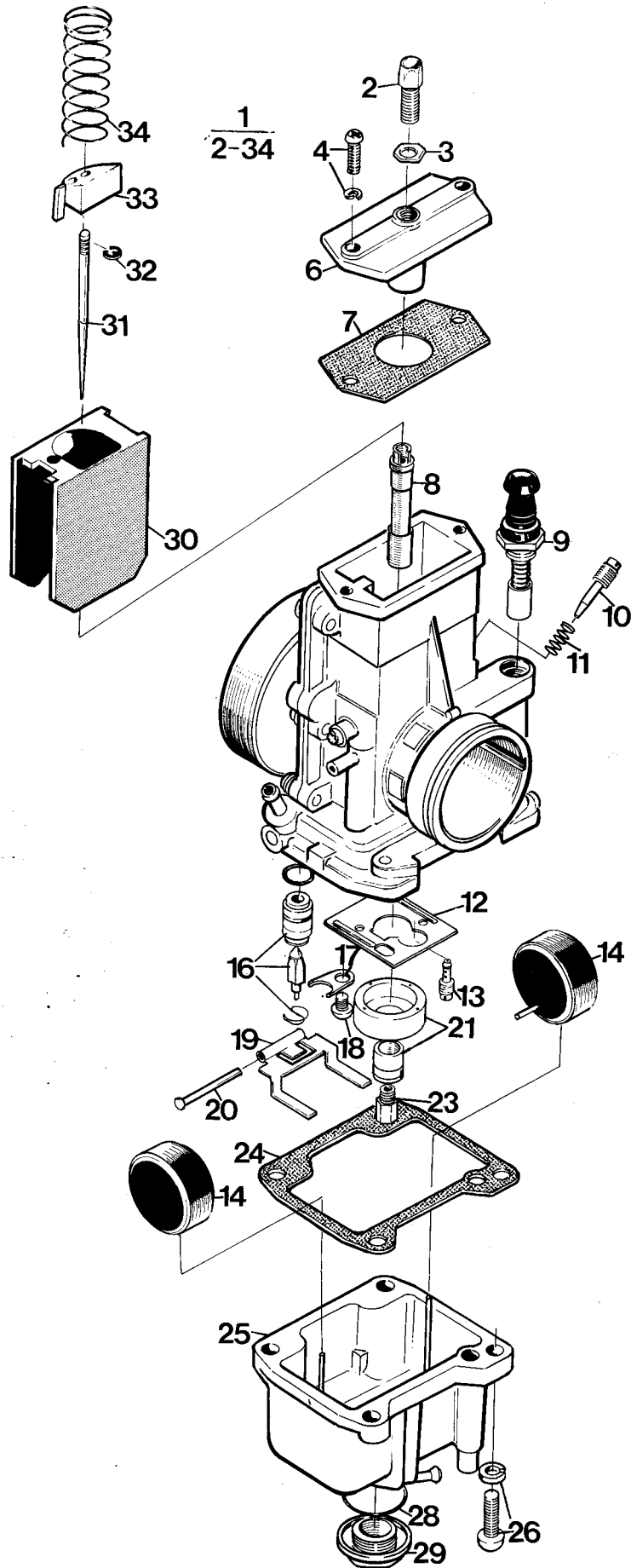


Fig.	Reservdelsnummer Sparepart number	Antal - Quantity													Benämning, Description	
		125			240		250			400		500		400		
		CR	WR	XC	CR	WR	CR	WR	XC	EU WR	US WR	CR	XC	XC		
1	16 13 836-01 1				1		1		1							Förgasare, kpl. Ø38 Carburettor compl.
2	16 13 757-01 10				1		1		1							Justerskruv Adjuster
3	16 13 758-01 10				1		1		1							Mutter Nut
4	16 13 741-01 10				2		2		2							Skruv Screw
6	16 13 767-01 -1				1		1		1							Lock Cover
7	16 13 763-01 5				1		1		1							Packning Gasket
8	16 13 731-01 2				1		1		1							Nålmunstycke Ø 6 Needle jet
9	16 19 857-01 2				1		1		1							Startventil Choke valve compl.
10	16 13 752-01 3				1		1		1							Luftskruv Airscrew
11	16 13 753-01 3				1		1		1							Fjäder Spring
12	16 13 759-01 1				1		1		1							Skvalpskydd Plate
13	16 13 545-01 5				1		1		1							Tomgångmunstycke 40 Pilot jet
14	16 13 578-01 4				2		2		2							Flottör Float
16	16 13 742-01 3				1		1		1							Nålventil Valve
17	16 13 754-01 2				1		1		1							Hållare Holder
18	16 13 755-01 2				1		1		1							Skruv Screw
19	16 13 564-0 -1				1		1		1							Flottörm Float lever
20	16 13 566-01 -1				1		1		1							Stift Peg
21	16 13 748-01 3				1		1		1							Labyrint
23	16 13 686-01 10				1		1									Huvudmunstycke 380 Main jet
24	16 13 739-01 5				1		1		1							Packning Gasket
25	16 13 740-01 -1				1		1		1							Flottörhus Float chamber
26	16 13 746-01 10				4		4		4							Skruv Screw
28	16 13 750-01 10				1		1		1							O-ring
29	16 13 749-01 3				1		1		1							Bottenskruv Drain screw
30	16 13 736-01 1				1		1		1							Trottel 4.0 Throttle
31	16 13 747-01 3				1		1		1							Nål 6 FJ 40 Needle
32	16 13 583-01 10				1		1		1							Nålclips Needle clip
33	16 13 762-01 5				1		1		1							Wirelås Wire lock
34	16 13 764-01 5				1		1		1							Fjäder Spring

N



Tillbehör/Accessories

8	<p>16 13 728-01 16 13 729-01 16 13 730-01 16 13 731-01 16 13 732-01 16 13 733-01</p>																				<p>Nålmunstycke Q2, Needle jet Nålmunstycke Q3, Needle jet Nålmunstycke Q4, Needle jet Nålmunstycke Q6, Needle jet Nålmunstycke Q8, Needle jet Nålmunstycke RO, Needle jet</p>
13	<p>16 13 630-01 16 13 510-01 16 13 544-01 16 13 545-01 16 13 546-01 16 13 547-01</p>																				<p>Tomgångsmunstycke 25, Pilot jet Tomgångsmunstycke 30, Pilot jet Tomgångsmunstycke 35, Pilot jet Tomgångsmunstycke 40, Pilot jet Tomgångsmunstycke 45, Pilot jet Tomgångsmunstycke 50, Pilot jet</p>
23	<p>16 13 684-01 16 13 685-01 16 13 686-01 16 13 556-01 16 13 557-01 16 13 558-01 16 13 559-01 16 13 560-01</p>																				<p>Huvudmunstycke MJ 360, Main jet Huvudmunstycke MJ 370, Main jet Huvudmunstycke MJ 380, Main jet Huvudmunstycke MJ 390, Main jet Huvudmunstycke MJ 400, Main jet Huvudmunstycke MJ 410, Main jet Huvudmunstycke MJ 420, Main jet Huvudmunstycke MJ 430, Main jet</p>
30	<p>16 13 734-01 16 13 735-01 16 13 736-01 16 13 737-01</p>																				<p>Trottel 6.0, Throttle Trottel 5.0, Throttle Trottel 4.0, Throttle Trottel 3.0, Throttle</p>

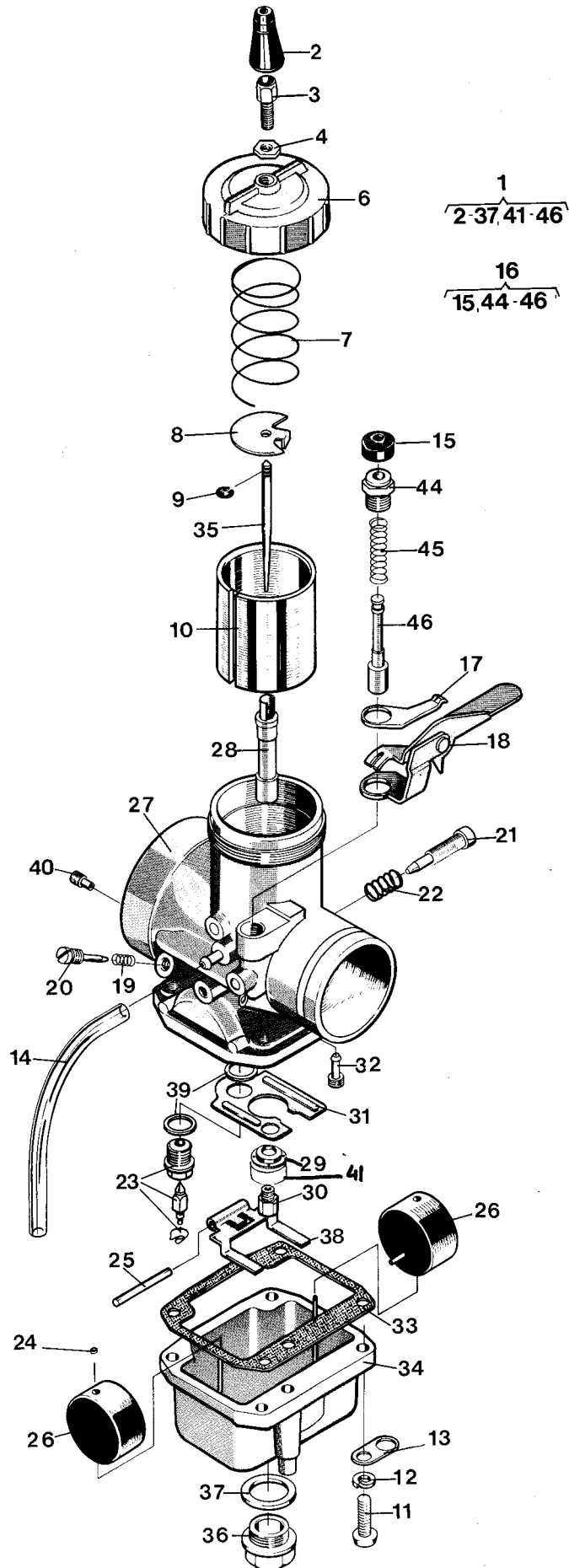


Fig.	Reservdelsnummer Sparepart number	Antal - Quantity													Benämning, Description			
		125			240		250			400		500		400				
		CR	WR	XC	CR	WR	CR	WR	XC	EU WR	US WR	CR	XC	XC				
N	1	16 13 837-01	1				1											Förgasare Mikuni Ø 38. Carburettor
N		16 13 838-01									1							Förgasare Mikuni Ø38. Carburettor
N		16 13 821-01	1									1						Förgasare Mikuni Ø38. Carburettor
N		16 13 794-01											1					Förgasare Mikuni Ø38. Carburettor
	2	16 13 128-01					1			1	1							Skyddshylsa Protection sleeve
	3	16 13 916-01					1			1	1							Ställskruv. Adjuster
	4	16 13 908-01					1			1	1							Mutter. Nut
	6	16 13 570-01					1			1	1							Förgasarlock Cover
	7	16 13 571-01					1			1	1							Fjäder Spring
	8	16 13 584-01					1			1	1							Wire lås Wire lock
	9	16 13 583-01					1			1	1							Nålclips Needle clip
	10	16 13 575-01					1			1								Trottel ca 2.0 Throttle
		16 13 576-01									1	1						Trottel ca. 2.5 Throttle
	11	72 41 329-01					4			4	4	4						Skruv M5 x 16 Screw
	12	73 51 146-01					4			4	4	4						Bricka Washer
	13	16 13 569-01					2			2	2	2						Hållare Holder
	14	16 13 448-01					2			2	2	2						Slang Hose
	15	16 13 590-01					1			1	1							Gummiskydd Rubber cap
	16	16 13 589-01					1			1	1							Startventil kpl Start valve compl.
	17	16 13 594-01					1			1	1							Fjäder Spring
	18	16 13 595-01					1			1	1							Chokereglage Choke lever
	19	16 13 572-01					1			1	1							Fjäder Spring
	20	16 13 573-01					1			1	1							Luftskruv Airscrew
	21	16 13 588-01					1			1	1							Ställskruv Adjusting screw
	22	16 13 587-01					1			1	1							Fjäder Spring
	23	16 13 585-01					1			1	1							Nålventil kpl. Needle valve compl.
	24	16 13 585-01					2			2	2							Flottörstopp Cap
	25	16 13 566-01					1			1	1							Stift Peg
	26	16 13 578-01					2			2	2							Flottör Float
	28	16 13 555-01					1			1								Nålmunstycke R4 Needle jet
		16 13 551-01									1	1						Nålmunstycke Q6 Needle jet
	29	16 13 580-01					1			1	1							Mellanskruv Distance screw

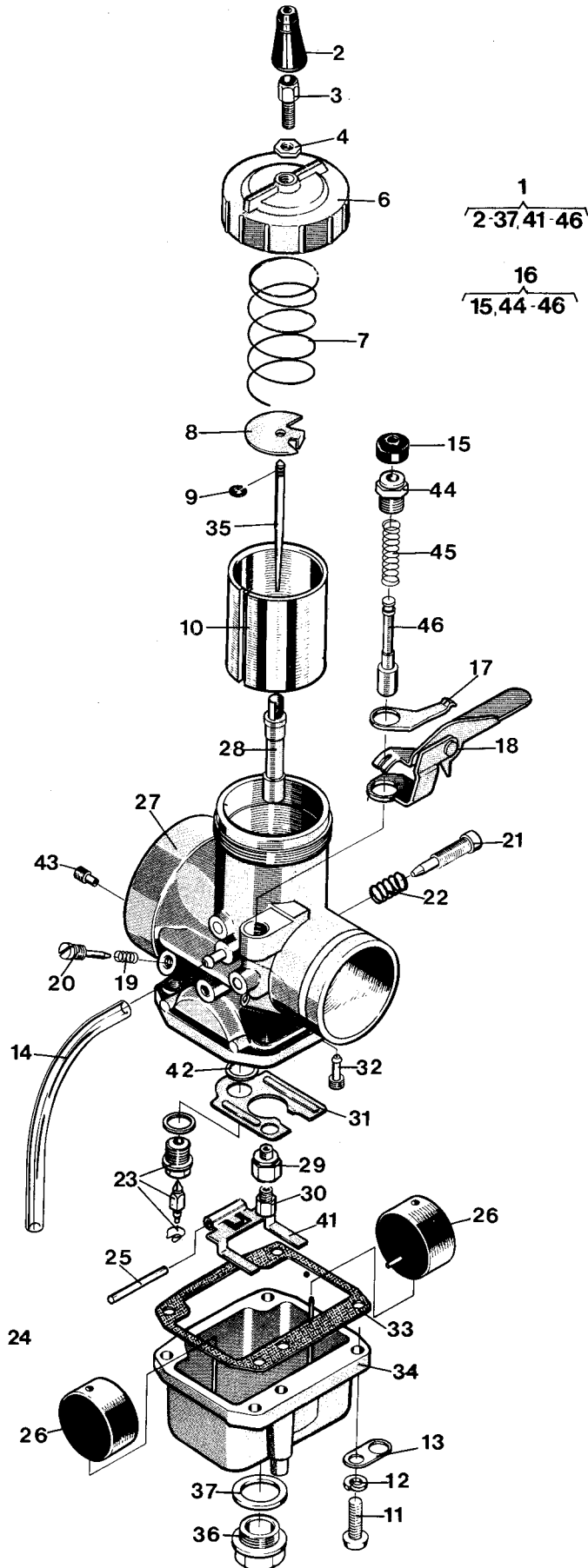
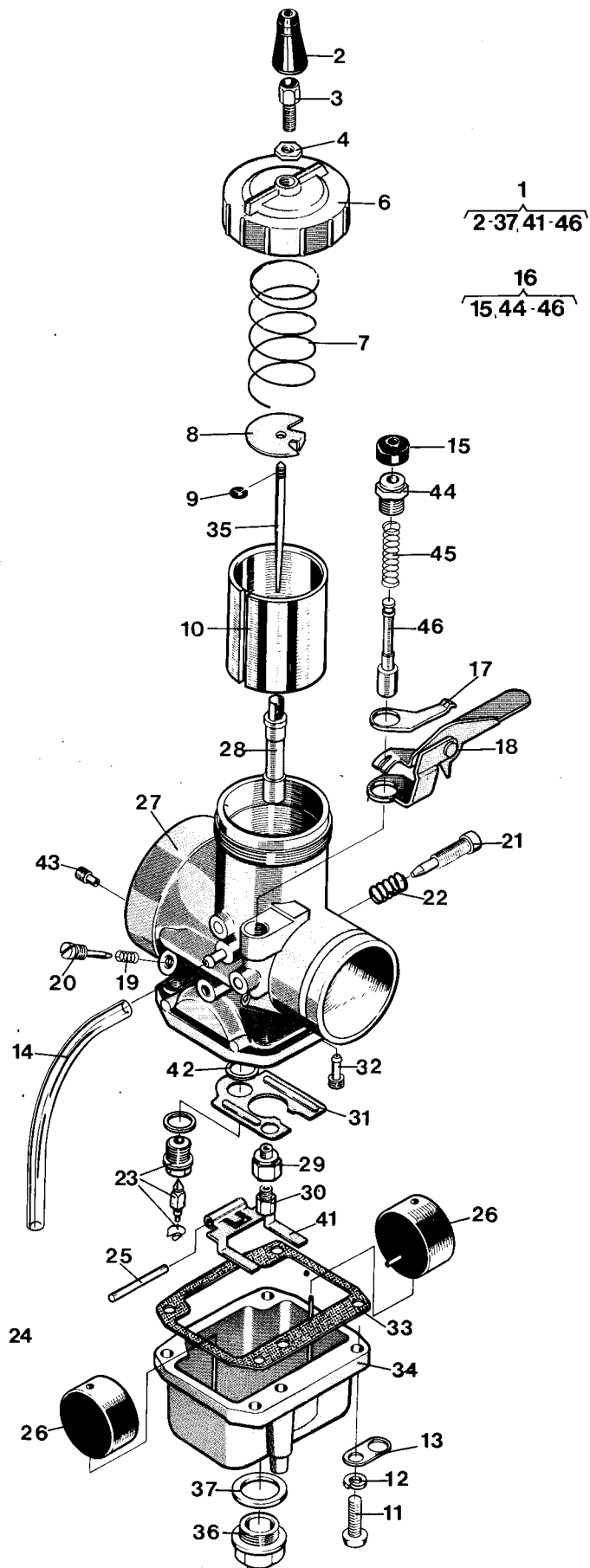
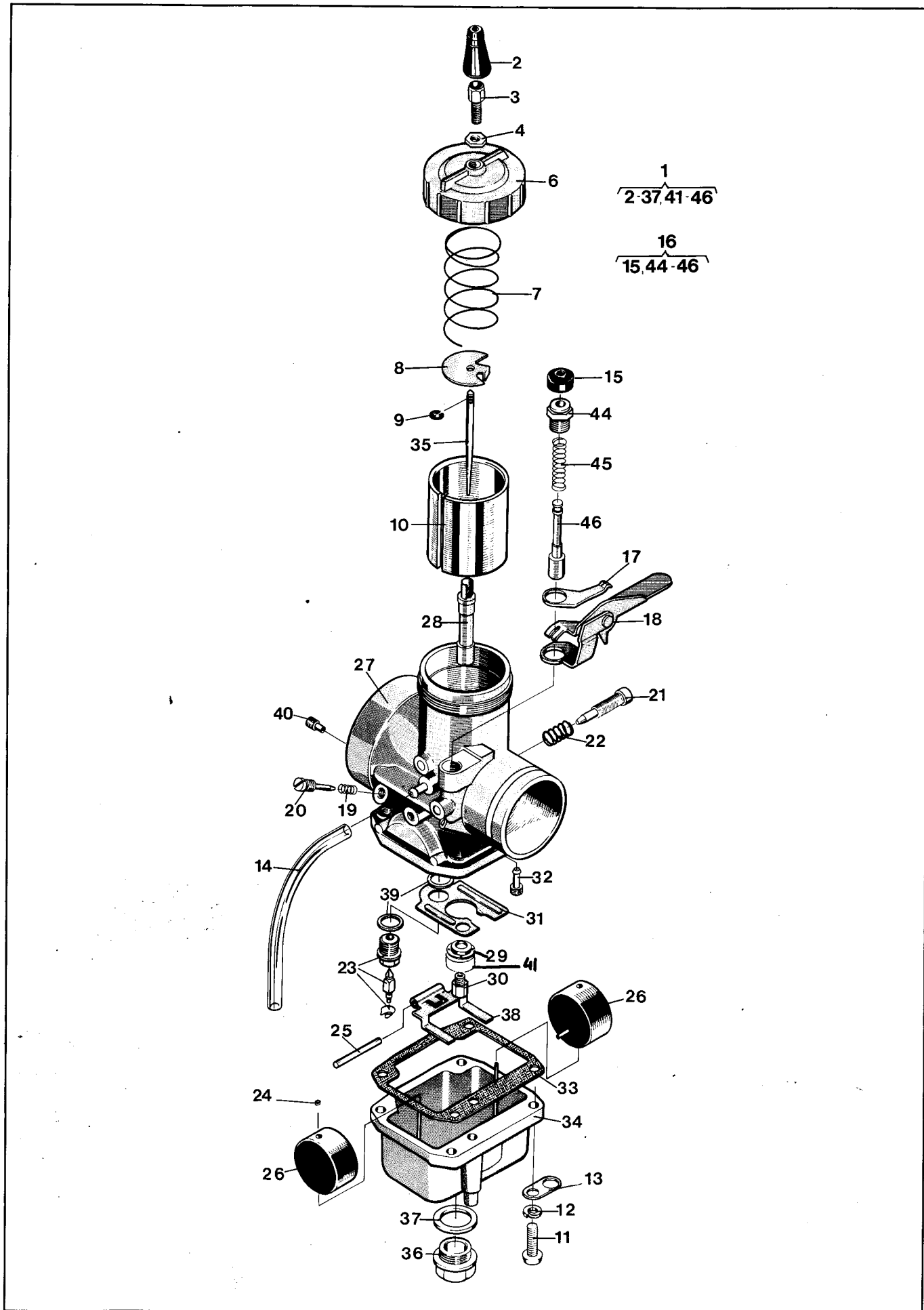


Fig.	Reservdelsnummer Sparepart number	Antal - Quantity													Benämning, Description		
		125			240		250			400		500		400			
		CR	WR	XC	CR	WR	CR	WR	XC	EU WR	US WR	CR	XC	XC			
30	16 13 844-01 1					1											Huvudmunstycke 70 Main jet
	16 13 559-01 10									1							Huvudmunstycke 420 Main jet
	16 13 704-01 1										1						Huvudmunstycke 100 Main jet
	16 13 557-01 10											1			1		Huvudmunstycke 400 Main jet
31	16 13 586-01 1					1		1			1	1			1		Skvalplåt Baffle plate
32	16 13 547-01 10					1		1									Tomgångsmunstycke P.J 50 Pilot jet
	16 13 544-01 5										1	1			1		Tomgångsmunstycke P.J 35 Pilot jet
33	16 13 543-01 5					1		1			1	1			1		Packning Gasket
34	16 13 574-01 1					1		1			1	1			1		Flottörhus Float chamber
35	16 13 647-01 3					1		1									Nål 6DH20 Needle
	16 13 579-01 3										1	1			1		Nål 6DH3 Needle
36	16 13 581-01 3					1		1			1	1			1		Bottenskruv Drain screw
37	16 13 582-01 10					1		1			1	1			1		Packning Gasket
41	16 13 564-01 1					1		1			1	1			1		Flottörm Float lever
42	16 13 565-01 10					2		2			2	2			2		Bricka Washer
43	16 13 568-01 5					1		1			1	1			1		Luftmunstycke 2.0 Air jet

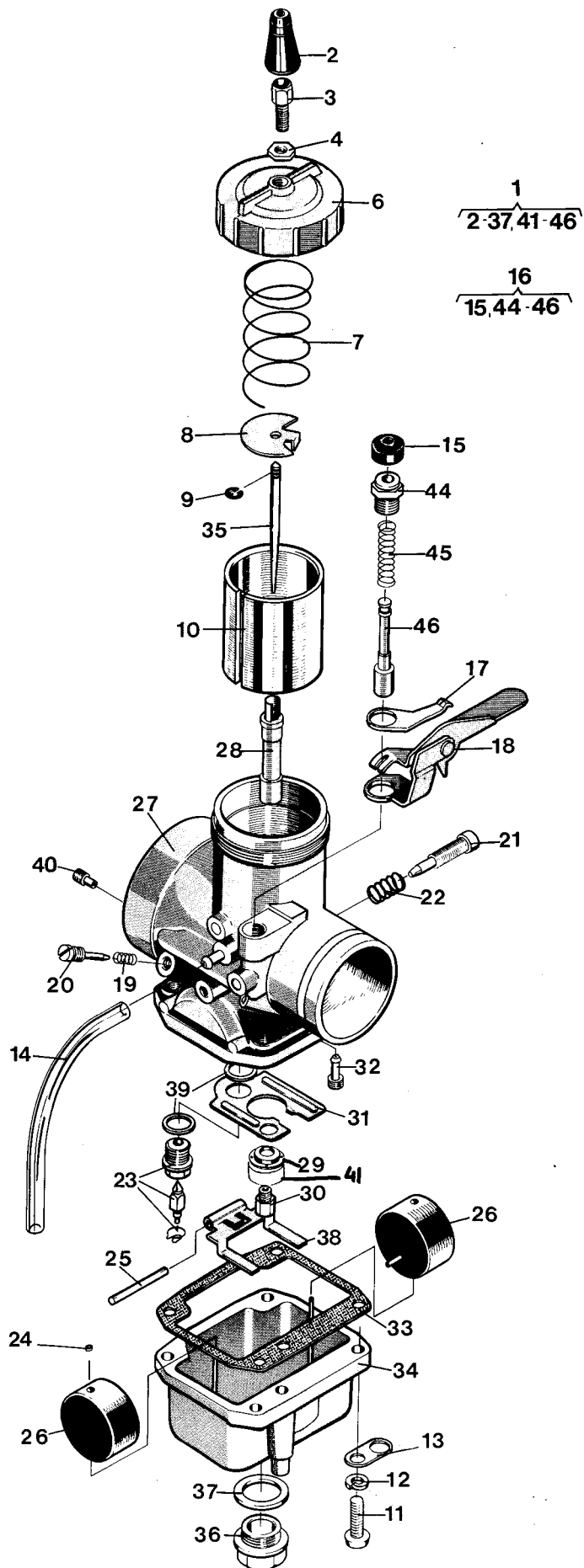


Tillbehör/Accessories

10	<p>16 13 575-01 16 13 576-01 16 13 577-01</p>	<p>Trottilar Throttles C.A. 2.0 <i>240 WR</i> C.A. 2.5 <i>400 WR</i> C.A. 3.0</p>
28	<p>16 13 549-01 16 13 550-01 16 13 551-01 16 13 552-01 16 13 553-01 16 13 554-01 16 13 555-01 16 13 642-01 16 13 699-01</p>	<p>Nålmunstycke Needle jets N.J Q-4 N.J Q-5 N.J Q-6 <i>400 WR</i> N.J Q-8 N.J R-0 N.J R-2 N.J R-4 <i>240 WR</i> N.J R-6 N.J R-8</p>
30	<p>16 13 556-01 16 13 557-01 16 13 558-01 16 13 559-01 16 13 561-01 16 13 562-01 16 13 563-01 16 13 641-01 16 13 694-01 16 13 695-01 16 13 696-01 16 13 697-01 16 13 698-01 16 13 683-01 16 13 684-01 16 13 685-01 16 13 686-01</p>	<p>Huvudmunstycke Main jets M.J 390 M.J 400 <i>400 WR - Endruselt</i> M.J 410 M.J 420 <i>240 WR - Endruselt</i> M.J 440 M.J 450 M.J 460 M.J 470 M.J 480 M.J 490 M.J 500 M.J 530 M.J 560 M.J 350 M.J 360 M.J 370 M.J 380</p>
32	<p>16 13 544-01 16 13 545-01 16 13 546-01 16 13 547-01 16 13 548-01</p>	<p>Tomgångsmunstycke Idling jets P.J 35 <i>400 WR</i> P.J 40 P.J 45 P.J 50 <i>240 WR</i> P.J 55</p>



N	Fig.	Detaljnummer Partnummer	Antal Quantity	Benämning Description
N	1	16 13 813-01	1	Förgasare Mikuni Ø40. Carburettor 500
	2	16 13 128-01	1	Skyddshylsa. Protection sleeve
	3	16 13 916-01	1	Ställskruv. Adjuster
	4	16 13 908-01	1	Mutter. Nut
	6	16 13 653-01	1	Lock. Cover
	7	16 13 654-01	1	Fjäder. Spring
	8	16 13 662-01	1	Wire lås. Wire lock
	9	16 13 661-01	1	Nålclips. Needle clip
	10	16 13 679-01	1	Trottle 2.5. Throttle
	11	72 41 329-01	4	Skruv. Screw
	12	73 51 146-01	4	Bricka. Washer
	13	16 13 569-01	2	Hållare. Holder
	14	16 13 448-01	2	Slang. Hose
	15	16 13 665-01	1	Gummiskydd. Rubber cap
	16	16 13 664-01	1	Startventil. Start valve compl.
	17	16 13 594-01	1	Fjäder. Spring
	18	16 13 595-01	1	Chokereglage. Choke lever
	19	16 13 655-01	1	Fjäder. Spring
	20	16 13 573-01	1	Luftskruv. Air screw
	21	16 13 588-01	1	Ställskruv. Idle adjuster
	22	16 13 587-01	1	Fjäder. Spring
	23	16 13 565-01	1	Nålventil, kpl. Needle valve, compl.
	24	16 13 585-01	2	Flottörstopp. Cap
	25	16 13 566-01	1	Stift. Peg
	26	15 13 578-01	2	Flottör. Float
	28	16 13 671-01	1	Nålmunstycke, AA-5. Needle jet
	29	16 13 658-01	1	Bricka. Washer
	30	16 13 683-01	1	Huvudmunstycke 350. Main jet
	31	16 13 663-01	1	Skvaipplåt. Baffle plate
	32	15 13 548-01	1	Tomgångmunstycke 55. Pilot jet
	33	16 13 543-01	1	Packning. Gasket
	34	16 13 657-01	1	Flottörhus. Float chamber
	35	16 13 681-01	1	Nål 7DH3. Needle
	36	16 13 659-01	1	Bottenplugg. Drain plug
	37	16 13 660-01	1	Packning. Gasket
	38	16 13 564-01	1	Flottörm. Float lever
	39	16 13 567-01	2	Bricka. Washer
	40	16 13 676-01	1	Luftmunstycke, AJ 0.7. Air jet
	41	16 13 819-01	1	Bricka. Washer



Tillbehör/Accessories

10	<p>16 13 677-01 16 13 678-01 16 13 679-01 16 13 680-01</p>	<p>Throttlar Throttles C.A. 1.5 C.A. 2.0 C.A. 2.5 C.A. 3.0</p>
28	<p>16 13 668-01 16 13 669-01 16 13 670-01 16 13 671-01 16 13 672-01 16 13 673-01 16 13 674-01 16 13 675-01</p>	<p>Nålmunstycke Needle jet NJ Z-0 Z-5 AA-0 AA-5 BB-0 BB-5 CC-0 CC-5</p>
30	<p>16 13 682-01 16 13 683-01 16 13 684-01 16 13 685-01 16 13 686-01 16 13 556-01 16 13 557-01 16 13 558-01 16 13 559-01 16 13 560-01 16 13 561-01 16 13 562-01 16 13 563-01 16 13 641-01</p>	<p>Huvudmunstycke Main jet MJ 340 MJ 350 MJ 360 MJ 370 MJ 380 MJ 390 MJ 400 MJ 410 MJ 420 MJ 430 MJ 440 MJ 450 MJ 460 MJ 470</p>
32	<p>16 13 544-01 16 13 545-01 16 13 546-01 16 13 547-01 16 13 548-01</p>	<p>Tomgångsmunstycke Idling jet P.J 35 P.J 40 P.J 45 P.J 50 P.J 55</p>

SIDOPANELER, LUFTFILTERBURK SIDE PANELS, AIRFILTER BOX

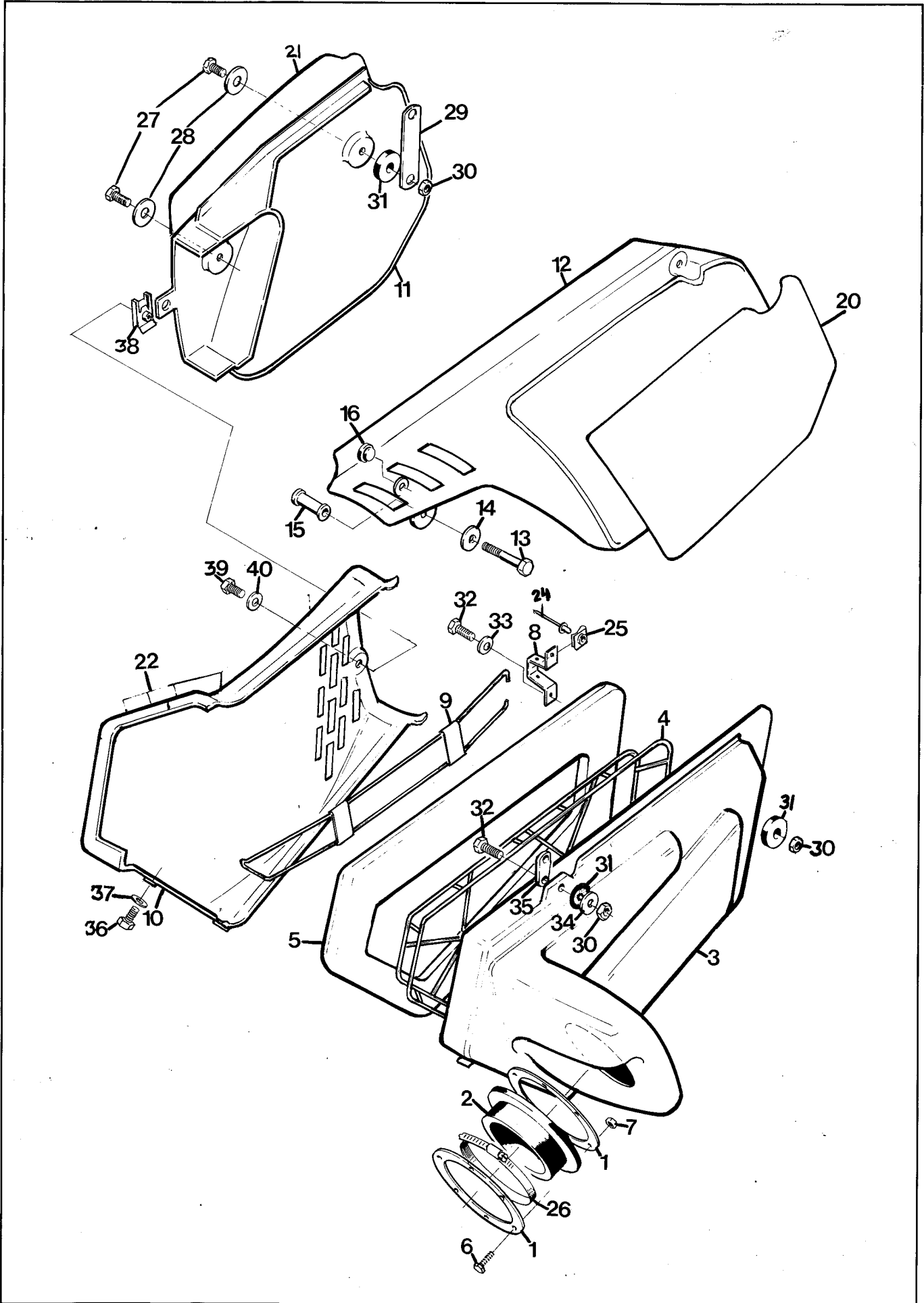


Fig.	Reservdelsnummer Sparepart number	Antal - Quantity														Benämning, Description
		125			240		250			400		500		400		
		CR	WR	XC	CR	WR	CR	WR	XC	EU	US	CR	XC	XC		
1	15 15 039-01 5	2	1	2	2	2	2	2	2	2	2	2	2	2	Stödbricka, Support washer	
2	15 15 034-01 3	1	1	1											Anslutning, Connection	
	15 14 984-02 5				1	1	1	1	1	1	1	1	1	1	Anslutning, Connection	
	15 14 462-02 5														Anslutning, Connection	
3	15 15 036-01 2	1	1	1	1	1	1	1	1	1	1	1	1	1	Luftburk, Air filter box	
4	15 14 172-01 5	1	1	1	1	1	1	1	1	1	1	1	1	1	Filterkorg, Air filter basket	
5	15 14 171-01 100	1	1	1	1	1	1	1	1	1	1	1	1	1	Luftfilter, Airfilter	
6	72 31 328-51 20	6	6	6	6	6	6	6	6	6	6	6	6	6	Skruv M5 x 14, Screw	
7	73 22 114-01 20	6	6	6	6	6	6	6	6	6	6	6	6	6	Mutter M5, Nut	
8	15 15 037-01 3	1	1	1	1	1	1	1	1	1	1	1	1	1	Hållare, Holder	
9	15 15 038-01 3	1	1	1	1	1	1	1	1	1	1	1	1	1	Bygel, Clamp	
10	15 15 823-01 3	1	1	1	1	1	1	1	1	1	1	1	1	1	Lock, Cover	
11	15 15 822-01 5	1	1	1	1	1	1	1	1	1	1	1	1	1	Sidopanel höger Sidepanel right	
12	15 15 804-01 5	1		1	1			1				1	1	1	Sidopanel vänster Sidepanel left	
	15 15 818-01 3		1			1		1		1	1				Sidopanel vänster Sidepanel left	
13	72 52 381-53 10	1	1	1	1	1	1	1	1	1	1	1	1	1	Skruv M6 x 55, Screw	
14	73 41 156-01 20	1	1	1	1	1	1	1	1	1	1	1	1	1	Bricka, Washer	
15	15 19 767-02 5					1		1		1	1	1	1	1	Distans, Spacer	
	15 19 767-01 5	1	1	1	1			1		1	1	1	1	1	Distans, Spacer	
16	15 15 810-01 10	3	3	3	3	3	3	3	3	3	3	3	3	3	Värmskydd, Heatprotector	
17	72 52 372-51 10	1		1	1			1		1		1	1		Skruv M6 x 25, Screw	
18	15 13 734-01 10	1		1	1			1		1		1	1		Bricka, Washer	
19	15 13 706-01 10	1		1	1			1		1		1	1		Mutter M6, Nut	
20	15 15 808-01 10	1		1	1			1		1		1	1	1	Nummerdekal, Decal	
	15 15 819-01 10		1			1		1		1		1	1	1	Nummerdekal, Decal	
21	15 15 824-01 10	1	1	1	1	1	1	1	1	1	1	1	1	1	Nummerdekal, Decal	
22	15 17 849-02 10	1	1	1											Dekal 125, Decal	
	15 17 849-03 5				1	1									Dekal 240, Decal	
	15 17 849-04 10						1	1	1						Dekal 250, Decal	
	15 17 849-05 5									1	1				Dekal 400, Decal	
	15 17 849-06 10											1	1		Dekal 500, Decal	
24	51 20 300-01 1	1	1	1	1	1	1	1	1	1	1	1	1	1	Popnit, Poprivet	
25	15 14 129-01 10	1	1	1	1	1	1	1	1	1	1	1	1	1	Mutter, Nut	
26	16 13 539-01 10	1	1	1	1	1	1	1	1		1	1	1	1	Klämma, Clamp	
	15 14 476-01 10									1	1	1	1	1	Klämma, Nut	
27	72 52 368-51 10	2	2	2	2	2	2	2	2	2	2	2	2	2	Skruv M6 x 16, Screw	
28	15 13 734-01 10	2	2	2	2	2	2	2	2	2	2	2	2	2	Bricka, Washer	
29	15 15 806-01 3	1	1	1	1	1	1	1	1	1	1	1	1	1	Stag, Support	
30	73 22 116-01 10	3	3	3	3	3	3	3	3	3	3	3	3	3	Mutter M6, Nut	
31	15 18 121-01 10	3	3	3	3	3	3	3	3	3	3	3	3	3	Gummibricka, Rubberwasher	
32	72 52 371-51 10	2	2	2	2	2	2	2	2	2	2	2	2	2	Skruv, M6 x 22, Screw	
33	15 13 734-01 10	1	1	1	1	1	1	1	1	1	1	1	1	1	Bricka, Washer	
34	15 13 709-01 10	2	2	2	2	2	2	2	2	2	2	2	2	2	Bricka, Washer	
35	15 15 803-01 5	1	1	1	1	1	1	1	1	1	1	1	1	1	Fäste, Support	
36	72 52 372-51 10	1	1	1	1	1	1	1	1	1	1	1	1	1	Skruv M6 x 25, Skruv	
37	15 13 709-01 10	1	1	1	1	1	1	1	1	1	1	1	1	1	Bricka, Washer	
38	15 13 745-01 20	2	2	2	2	2	2	2	2	2	2	2	2	2	Snabbmutter, Nut	
39	72 52 368-51 10	1	1	1	1	1	1	1	1	1	1	1	1	1	Skruv M6 x 16, Screw	
40	73 44 926-01 10	1	1	1	1	1	1	1	1	1	1	1	1	1	Bricka, Washer	

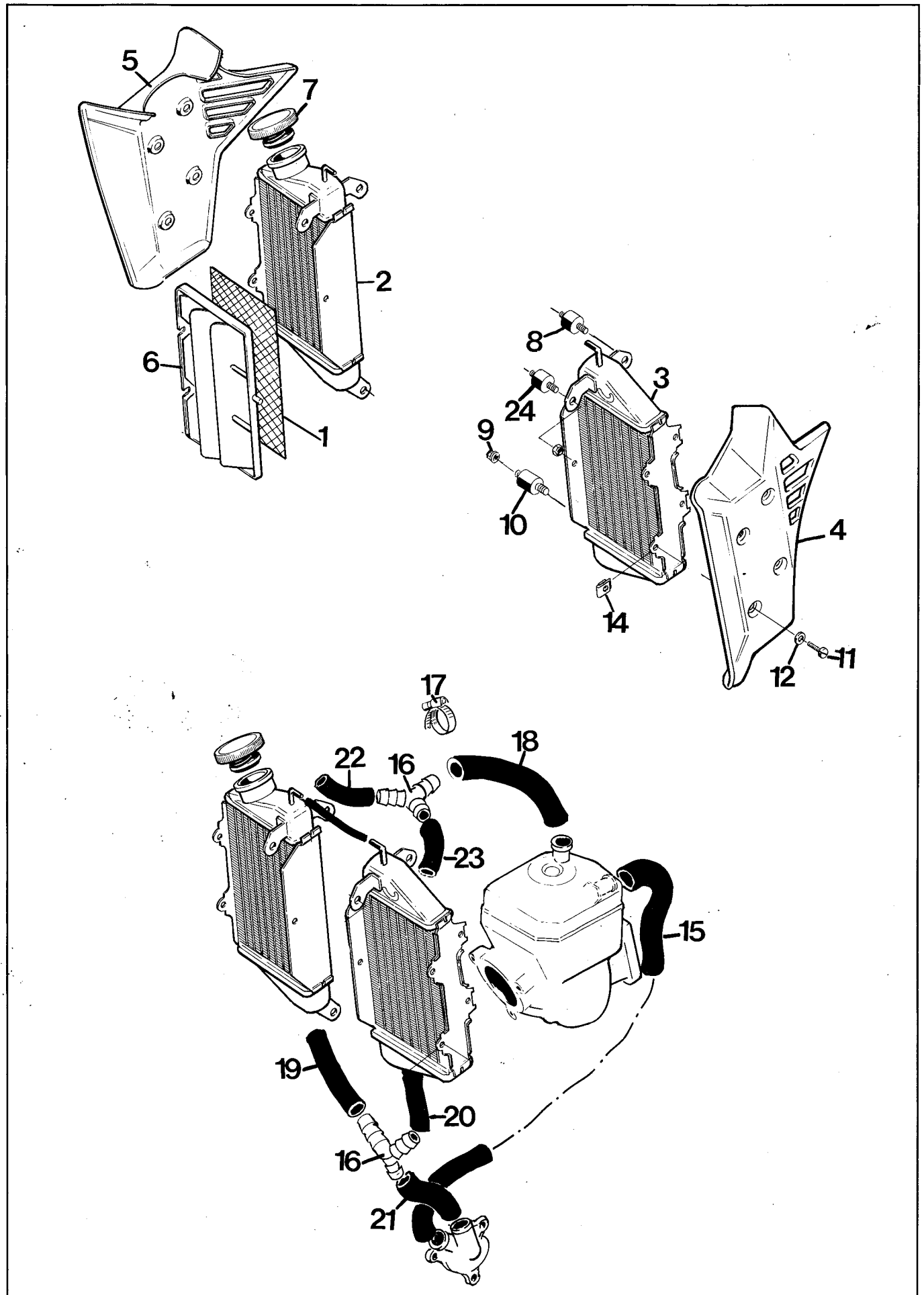


Fig.	Reservdelsnummer Sparepart number	Antal - Quantity														Benämning, Description
		125			240		250			400		500		400		
		CR	WR	XC	CR	WR	CR	WR	XC	EU WR	US WR	CR	XC	XC		
1	15 13 905-01 10	2	2	2	2	2	2	2	2	2	2	2	2	2	2	Kylargaller, Screen
2	15 13 902-01 15 14 142-01 1	1	1	1	1	1	1	1	1	1	1	1	1	1	1	Kylare, Radiator Kylare, Radiator
3	15 13 904-01 15 14 141-01 1	1	1	1	1	1	1	1	1	1	1	1	1	1	1	Kylare, Radiator Kylare, Radiator
4	15 13 908-01 1	1	1	1	1	1	1	1	1	1	1	1	1	1	1	Spoiler vänster, Spoiler left
5	15 13 909-01 1	1	1	1	1	1	1	1	1	1	1	1	1	1	1	Spoiler höger, Spoiler right
6	15 13 906-01 15 14 144-01 2	2	2	2	2	2	2	2	2	2	2	2	2	2	2	Stänkskydd, Splash shield Stänkskydd, Splash shield
7	15 14 126-01 5	1	1	1	1	1	1	1	1	1	1	1	1	1	1	Kylarlock, Radiator lock
8	15 17 090-04 20	4	4	4	4	4	4	4	4	2	2	2	2	2	2	Vibrationsdämpare, Damper
9	15 13 706-01 20	8	8	8	8	8	8	8	8	8	8	8	8	8	8	Mutter M6, Nut
10	15 17 090-05 20	2	2	2	2	2	2	2	2	2	2	2	2	2	2	Vibrationsdämpare, Damper
11	72 95 414-01 20 72 31 366-01 20	8	8	8	8	8	8	8	8	8	8	8	8	8	8	Skruv, Screw Skruv, Screw
12	73 44 926-01 20	6	6	6	6	6	6	6	6	6	6	6	6	6	6	Bricka, Washer
14	15 13 907-01 20 15 14 129-01 20	8	8	8	8	8	8	8	8	8	8	8	8	8	8	Snabbmutter, Nut Snabbmutter, Nut
15	16 17 960-01 20	1	1	1	1	1	1	1	1	1	1	1	1	1	1	Kylarslang, Hose <i>Schlanch</i>
16	16 17 965-01 20	2	2	2	2	2	2	2	2	2	2	2	2	2	2	Förgrening, Y-branch
17	15 14 149-01 5 15 13 740-01 10	12	12	12	12	12	12	12	12	12	12	12	12	12	12	Slangklämma, Hose clamp
18	15 13 916-01 15 13 916-02 15 13 916-03	1	1	1	1	1	1	1	1	1	1	1	1	1	1	Kylarslang, Hose Kylarslang, Hose Kylarslang, Hose
19	15 13 914-01 15 13 917-01	1	1	1	1	1	1	1	1	1	1	1	1	1	1	Kylarslang, Hose Kylarslang, Hose
20	15 13 915-01 15 13 916-04	1	1	1	1	1	1	1	1	1	1	1	1	1	1	Kylarslang, Hose Kylarslang, Hose
21	15 13 918-01 15 13 919-01	1	1	1	1	1	1	1	1	1	1	1	1	1	1	Kylarslang, Hose Kylarslang, Hose
22	15 13 913-01 5	1	1	1	1	1	1	1	1	1	1	1	1	1	1	Kylarslang, Hose
23	15 13 913-02 5	1	1	1	1	1	1	1	1	1	1	1	1	1	1	Kylarslang, Hose
24	15 17 090-04 20	2	2	2	2	2	2	2	2	2	2	2	2	2	2	Vibrationsdämpare, Damper

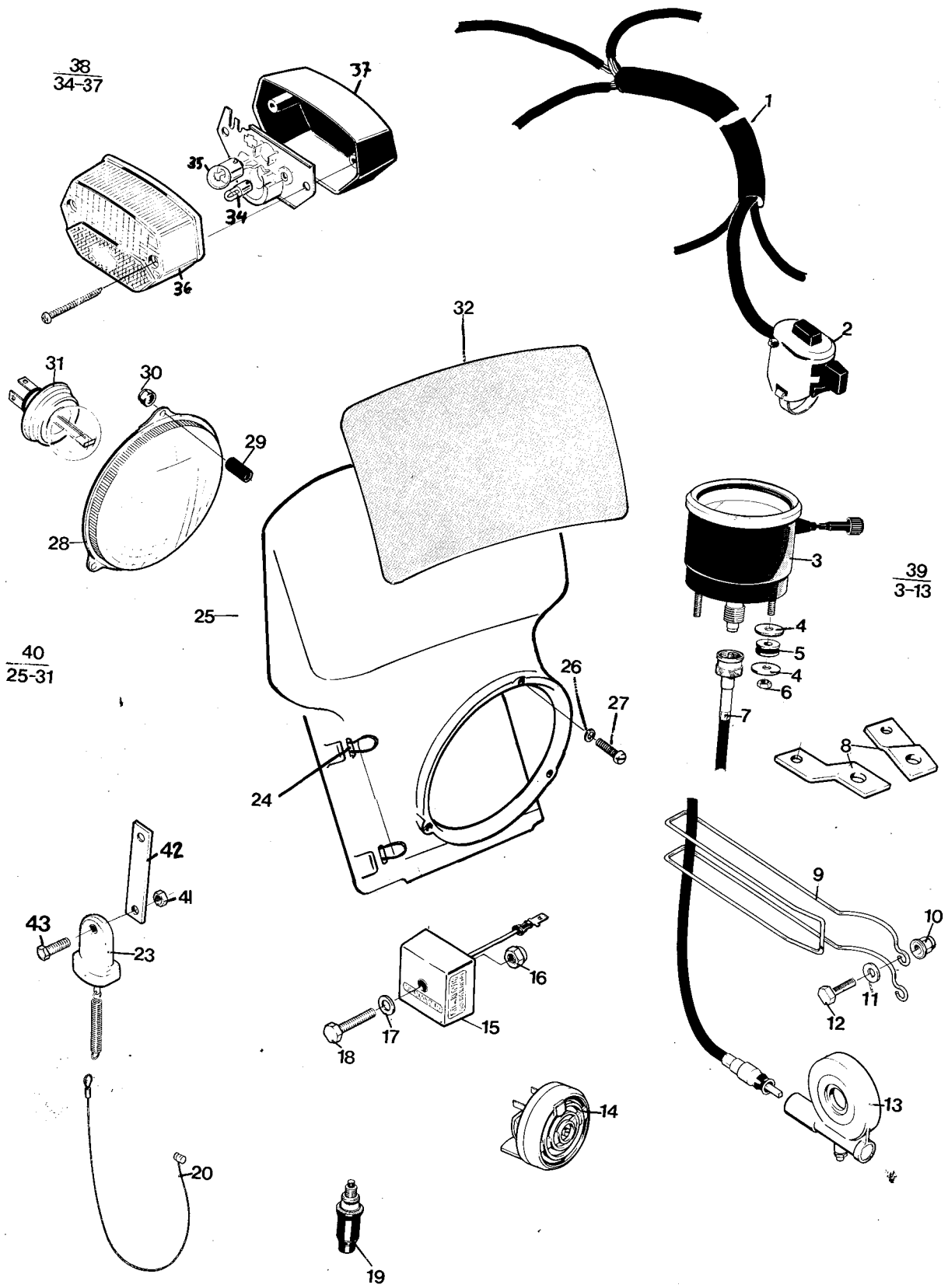


Fig.	Reservdelnummer Sparepart number	Antal - Quantity												Benämning, Description			
		125			240		250			400		500			400		
		CR	WR	XC	CR	WR	CR	WR	XC	EU WR	US WR	CR	XC		XC		
N	1	15 17 527-01 2	1			1			1			1					Kabelmatta. Harness
N		15 17 528-01															Kabelmatta. Harness
	2	15 17 292-01 3	1			1						1					Omkopplare. Switch
	3	15 17 493-02 3	1			1						1					Hastighetsmätare, km/h
		15 17 493-03							1				1				Speedometer
	4	15 13 709-01 20	4			4			4			4	4				Bricka 6.5 x 22. Washer
	5	15 19 705-01 20	2			2			2			2	2				Bussning. Bushing
	6	73 22 114-01 20	2			2			2			2	2				Mutter M5. Nut
	7	15 17 495-01 10	1			1			1			1	1				Hastighetsmätarwire
																	Speedometer wire
	8	15 17 506-01 2	2			2			2			2	2				Fäste
																	Attachment
	9	15 17 306-01 3	1			1			1			1	1				Bygel
																	Wire protector
	10	73 22 116-51 10	2			2			2			2	2				Mutter M6. Nut
	11	15 13 734-01 10	2			2			2			2	2				Bricka. Washer
	12	72 52 371-51 10	2			2			2			2	2				Skruv M6 x 22. Screw
N	13	15 17 523-01 5	1			1			1			1	1				Vinkelväxel. Drive
	14	15 17 420-01 3	1			1			1			1					Signal. Horn
	15	16 14 757-01 10	1			1			1			1	1				Spänningsregulator
																	Voltage regulator
	16	73 22 116-01 10	2			2			2			2	2				Mutter M6. Nut
	17	73 41 153-01 10	2			2			2			2	2				Bricka 6.4 x 14
																	Washer
	18	72 52 376-51 10	1			1			1			1	1				Skruv M6 x 35. Screw
Z	19	15 17 328-01 5	1			1						1					Bromsljuskontakt
																	Brake light switch
	20	15 17 518-01 3	1			1						1					Wire
Z	23	15 17 517-01 3	1			1						1					Bromsljuskontakt
																	Brake light switch
	24	15 17 516-01 20	3			3			3			3	3				O-ring 84.5 x 3
	25	15 17 511-01 5	1			1			1			1	1				Kåpa. Head light
	26	73 41 146-01 10	3			3			3			3	3				Bricka 5.3 x 10. Washer
	27	72 31 339-01 10	3			3			3			3	3				Skruv M5 x 25. Screw
	28	15 17 488-01 5	1			1			1			1	1				Reflektor. Reflector
	29	15 14 078-05 20	3			3			3			3	3				Slang. Hose
	30	72 22 114-01 10	3			3			3			3	3				Mutter M5. Nut
Z	31	15 19 615-01 5	1			1			1			1	1				Glödlampa 12V—H4
																	Bulb
	32	15 19 787-01 5	1			1			1			1	1				Nummer oval, gul
																	Number oval, yellow
N	33	72 31 328-51 10	2			2			2			2	2				Skruv M5 x 10. Screw
N	34	15 17 533-01 5	1			1			1			1	1				Glödlampa 12V—4W
																	Bulb
Z	35	15 19 616-01 5	1			1						1					Glödlampa 12V—10W
																	Bulb
N	36	15 17 888-01 5	1			1			1			1	1				Lyktglas. Lens
Z	38	15 17 530-01 5															Baklyckta. Tail light
N	39	15 17 526-01							1				1				Hastighetsmätare anläggning mph
		15 17 526-02 2 ?	1			1						1					Speedometer kit
																	Hastighetsmätare anläggning
																	km/h
																	Speedometer kit
	40	15 17 515-01 2	1			1			1			1	1				Strålkastare kpl.
																	Head light compl.
	41	73 22 112-01 10	1			1						1					Mutter M4. Nut
N	42	15 17 230-01 3	1			1						1					Stag. Attachment
	43	72 52 297-51 10	1			1						1					Skruv M4 x 25. Screw

RESERVDELAR TILL 435 CR -86

ERSATZTEILE FÜR 435 CR -86

Spare parts to 435 CR -86

Här följer en lista på de delar som skiljer en 435 CR från 500 CR -86. Diese Liste enthält die Ersatzteile der 435 CR, welche sich von der 500 CR -86 unterscheiden.

This list contains the spare parts that separates a 435 CR from 500 CR -86.

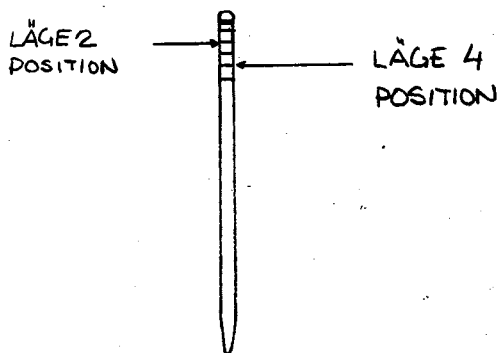
<u>Reservdelsnummer</u> <u>Spare parts number</u>	<u>Benämning</u> <u>Description</u>
16 14 579-01 (400 WR 86)	Vevparti kpl, Crankshaft cpl.
16 14 471-01 (430 AE)	Kolv kpl, Piston cpl. (Cyl. \emptyset 86.00)
16 14 471-02 (430 AE)	Kolv kpl, Piston cpl. (Cyl. \emptyset 86.50)
16 14 471-03 (430 AE)	Kolv kpl, Piston cpl. (Cyl. \emptyset 87.00)
16 11 189-01 (430 AE)	Kolvring, Piston ring (Cyl. \emptyset 86.00)
16 11 189-02 (430 AE)	Kolvring, Piston ring (Cyl. \emptyset 86.50)
16 11 189-03 (430 AE)	Kolvring, Piston ring (Cyl. \emptyset 87.00)
16 19 825-01 (400 WR 86)	Renov.sats, vevstake, Overhaulkit, conn.rod
16 14 488-01 (430 AE)	Cylinder
16 14 483-01 (430 AE)	Cylinder lock, Cylinder head
16 14 759-01 (500 CR 85)	Magnet kpl, Magneto cpl.
16 14 482-01 (430 AE)	Cylinderlockspackning, Cylinder head gasket
16 13 823-01 (430 AE)	Förgasare, Carburettor, 430, 6 DH 20 3 R2. 2,5, 40
16 15 302-01 (400 WR 86)	Förgasaranslutning, Intake manifold
15 14 984-01 (400 WR 86)	Anslutning förgasare - luftfilterburk, Connection Carburettor - Airfilterbox
15 13 970-01 (400 XC 86)	Avgasrör, Exhaust pipe
N 15 17 849-07	Dekal 435, Decal 435
N 16 19 891-01	Packningssats, Gasket set

NÅLLÄGES ÄNDRING PÅ 240 WR 86

Vid borttagning av strypningar på 240 WR 86, måste ni ändra nålläget från läge 2 till läge 4 uppifrån räknat på nålen. Se fig.

NEEDLE POSITION ON 240 WR 86

When you remove the restrictors on 240 WR 86, you must also change the needle position from position 2 to position 4, from top. See fig.



Nadelposition 240 WR / 86

Wenn Sie bei den 240er WR/86 die Drossel herausnehmen, müssen Sie auch die Position der Nadel ändern und zwar von Position 2 in Position 4, von oben. Siehe Skizze.



TÄNDINSTÄLLNING 125 WR 86

På våra tekniska data och tekniska data 86 affischer står det fel tändinställning för 125 WR $21^{\circ}/2,17$ mm skall vara $15^{\circ}/1,1$ mm.

IGNITIONTIMING 125 WR 86

On our technical data sheet and technical data 86 poster, the ignition timing for 125 WR is incorrect $21^{\circ}/2,17$ mm shall be $15^{\circ}/1,1$ mm.

ZÜNDUNGSEINSTELLUNG 125 WR -86

Auf Ihrem technischen Datenblatt 86 (großes Poster) ist die Zündungseinstellung der 125 WR mit $21^{\circ}/2,17$ mm angegeben. Bitte ändern Sie dies auf $15^{\circ}/1,1$ mm.



KONTROLLERA FRAMHJULSAXEL PÅ CR-XC MOD 86

V.g kontrollera att framhjulsaxeln låser mot kullagren när den drages åt. På vissa mc kan axeln ta stopp i gängorna på axelmuttern innan axeln låser mot kullagren. Om Ni har en axel som inte låser mot kullagerna, tag kontakt med Husqvarna MC AB, Serviceavdelningen, så skickar vi en ny axelmutter.

OBS! Detta gäller enbart CR och XC modeller 86.

CHECK FRONT WHEEL AXLE ON CR-XC MOD 86

On some CR/XC models 86, we have found front wheel axles that bind in the axle nut threads, before it locks against the wheelbearings. Check this and if you find this fault, contact Husqvarna MC AB, Service department, so that we can supply you with new axle nuts to cure the problem.



Framgaffel 86

Nytt nummer på framgaffel tätning.

Skall vara 15 12 419-01 i stället för 15 12 402-01.

Var god för in detta reservdelsnummer i Er reservdelskatalog.

Front fork 86

New part number on front fork seal.

Shall be 15 12 419-01 instead of 15 12 402-01.

Please note this number in your spare parts manual.

Vordergabel 86

Neue E.-Teil Nummer für Vordergabeldichtung

Es muß 151 24 19-01 anstatt 151 24 02-01

heißen.

Bitte ändern Sie dies in Ihrem Katalog.



Distansframaxel

Vi har tagit fram en längre distans till framaxeln som ersätter originaldistansen i höger gaffelben om vinkelväxeln till hastighetsmätaranläggningen ej monteras.

15 16 352-02 Distans

Spacer front axel

We have now available from spare parts department a longer spacer for the front wheelshaft which replaces the original spacer in the right hand forkleg if you are not using the drive for the speedometer.

15 16 352-02 Spacer

Buchse, Vorderachse

Es gibt eine neue längere Buchse für die Vorderradachse, welche die Originalbuchse auf der rechten Seite der Vordergabel ersetzt, wenn man den Tachoantrieb nicht benutzt.

Buchse 151 63 52-02



Renoveringssats avgasrör 86

Var god notera följande reservdelsnummer:

(Ny)	16 19 889-01	Renoveringssats avgasrör	125 CR/XC/WR 86
(Ny)	16 19 890-01	"	240-250 CR/WR/XC 86
	16 19 880-01	"	400 XC/WR 86
	16 19 881-01	"	500 CR/XC 86

Repair kit exhaust pipes 86

Please note following spare parts numbers:

(New)	16 19 889-01	Repair kit exhaust pipe	125 CR/XC/WR 86
(New)	16 19 890-01	"	240-250 CR/WR/XC 86
	16 19 880-01	"	400 XC/WR 86
	16 19 881-01	"	500 CR/XC 86

Reparatursatz, Auspuff 86

Bitte beachten Sie folgende Nummern.

(Neu)	161 98 89-01	Reparatursatz, Auspuff	125 CR/WR/XC 86
(Neu)	161 98 90-01	"	240-250 CR/WR/XC 86
	161 98 80-01	"	400 XC/WR 86
	161 98 81-01	"	500 CR/XC 86



RESERVDIELSKATALOG 86

I vår reservdelskatalog 15 17 892-01 finns några felaktigheter. V.g. för in dessa ändringar i Er reservdelskatalog:

<u>Sid.</u>	<u>Pos.</u>		
23	43	16 14 438-01	Passar 250 CR, WR, XC
23	43	16 14 438-02	Passar 240 CR, WR
		16 14 438-03	samt -04 utgår.

SPARE PARTS MANUAL 86

In our spare parts manual No. 15 17 892-01 there are some wrong numbers. Please note these numbers in your spare parts manual:

<u>Sid.</u>	<u>Pos.</u>		
23	43	16 14 438-01	Fits 250 CR, WR, XC
23	43	16 14 438-02	Fits 240 CR, WR
		16 14 438-03	-04 Cancelled.

Ersatz-Teile-Katalog 86

In unserem E-Teile-Katalog Nummer 151 78 92-01 sind einige Nummern falsch. Bitte beachten Sie diese Nummern:

<u>Seite</u>	<u>Pos.</u>		
23	43	161 44 38-01	passend für 250 CR, WR, XC
23	43	161 44 38-02	passend für 240 CR, WR
		161 44 38-03 - 04	ist ungültig

2-078



RENN-KIT / VORDERGABEL 86

Wir haben jetzt zwei neue Renn-Kits für die Vordergabel, einen für CR und einen für WR. Durch diese Kits wird die Funktion der Vordergabel verbessert.

RACING KIT FRONT FORK 86

We have now available as spare parts two racing kits for the front fork, one for CR/XC and one for WR. These kits will improve the function of the front forks.

These kits contain following pieces:
Diese Kits bestehen aus folgenden Teilen:

15 17 539-01 CR - XC:

2 pcs	15 12	443-01	Damping spindel
- " -	15 12	444-01	Bottom plug
- " -	15 12	445-01	Valve spring
- " -	15 12	373-01	Plastic washer
- " -	15 12	449-01	Valve
- " -	15 12	446-01	Rebound spring
- " -	15 12	451-01	Valve support
- " -	15 12	450-01	Valve cage
- " -	15 12	452-01	Valve
- " -	15 12	458-01	Spacer
- " -	15 12	453-02	Spring
- " -	15 12	447-01	Dampening cone

Preis: DM 173,30 + 14% MWSt.

15 17 539-02 WR:

2 pcs	15 12	443-01	Damping spindel
- " -	15 12	444-01	Bottom plug
- " -	15 12	445-01	Valve spring
- " -	15 12	373-01	Plastic washer
- " -	15 12	449-01	Valve
- " -	15 12	446-02	Rebound spring
- " -	15 12	451-01	Valve support
- " -	15 12	450-01	Valve cage
- " -	15 12	452-01	Valve
- " -	15 12	453-01	Spring
- " -	15 12	447-01	Dampening cone

Preis: DM 167,40 + 14% MWSt.



SKIVBROMSSKYDD WR

Vi har tagit fram skivbromsskydd till WR-modellerna med korta underben som finns att beställa från reservdelslagret.

Beställningsnummer: 15 16 347-02

För CR modellerna med långa underben.

Beställningsnummer: 15 16 347-01

DISC BRAKE COVER WR

We have available from spare parts department disc brake cover for WR models, with short lower forkleg.

Spare parts number: 15 16 347-02

For CR-models with long lower forkleg.

Spare parts number: 15 16 347-01

S C H E I B E N B R E M S E N S C H U T Z W R

Wir haben 2 verschiedene Scheibenbremsen-Schützer, da die Gabelholme unter der Achse verschieden lang sind (beim WR-Modell kürzer).

Ersatzteil-Nr. für WR-Modell: 15 16 347-02

" " " CR-Modell: 15 16 347-01



Fel i Reservdelskatalog -86

Sid. 11 position 11:

Gaswire 240-250 med flattrottelförgasare skall ha 15 15 277-03.

Var vänlig ändra i Er katalog.

Error in Spare Parts Manual -86

Page 11, position 11:

Throttle cable 240-250 CR with flatslide carburettor shall have 15 15 277-03.

Please change in your spare parts manual.

Fehler im Ersatzteil-Katalog 86

Seite 11, Position 11:

Die Ersatzteil-Nr. vom Gasseil 240-250 CR mit Flach-schieber-Vergaser lautet: 15 15 277-03

Bitte ändern Sie dies in Ihrem Ersatzteil-Katalog.

Neue Gehäusehälfte 240-500 86

Wir haben eine neue Gehäusehälfte links mit einem extra Schraubenloch im Deckel (hinter dem Kickstarter). Dadurch haben wir auch einen neuen Deckel mit extra Schraubenloch. Auch die Dichtung ist neu mit einer neuen Nummer.

Bei den 240-250 Gehäusen haben wir auch zwei Löcher im hinteren Teil des Zylinders. Der ~~xxx~~ neue Deckel paßt bei dem alten Gehäuse und andersherum auch.

Gehäuse kpl. 240-250: 161 98 88-01

Gehäuse kpl. 400-500: 161 96 89-02

Gehäusehälfte rechts 240-250: 161 98 86-01

Gehäusehälfte links 240-250: 161 98 87-01

Gehäusehälfte links 400-500: 161 96 88-02

Deckel : 161 98 74-01

Dichtung : 161 16 50-02

Bitte tragen Sie diese Nummern in Ihrem Katalog nach.



Kopplingsfjäder 125 CR/WR/XC

För att kopplingshandtaget på våra 125:or skall bli lättare att dra in (frikoppla) rekommenderar vi ett byte till en vitmärkt kopplingsfjäder som är mjukare.

Var god anteckna detta reservdelsnummer i Er katalog:

Kopplingsfjäder 125 16 11 177-02

Clutchspring 125 CR/WR/XC

In order to get a much easier clutch action on our 125:s we recommend a change to a softer clutchspring which is white-marked.

Please note this part number in your parts book.

Clutchspring 125 16 11 177-02

Feder, Kupplung 125 CR/WR/XC

Um eine bessere Funktion der Kupplung bei den 125er Modellen zu erreichen, empfehlen wir die Standartfeder gegen eine weichere Feder auszutauschen, welche weiß markiert sind.

Feder, Kupplung 125 161 11 77-02

Zylinderkopf 24o 25o 86

Es gibt folgenden Grund, weshalb wir zwei verschiedene Zylinderköpfe haben.

Bei der 25oCR ,WR,XC haben wir zwei Kolbenringe am Kolben, dies zwang uns zu einer niedrigeren Kompression.

Zylinderkopf 161 44 98-o1 passend nur für
24o CR,WR

Zylinderkopf 161 44 98-o2 passend nur für
25o CR,WR,XC

Wenn Sie den Kolben in die erste Übergröße umtauschen, müssen Sie auch den Zylinderkopf austauschen.

Bitte tragen Sie diese Nummern in Ihrem Katalog nach.

DEMONTERINGSVERKTYG VEVHUS

Vi har tagit fram ett nytt demonteringsverktyg för vevhus.

Passar följande motorer:

125, 240-500, 430 AE, 500 AE, 4-takt.

Beställningsnummer: 15 17 947-01

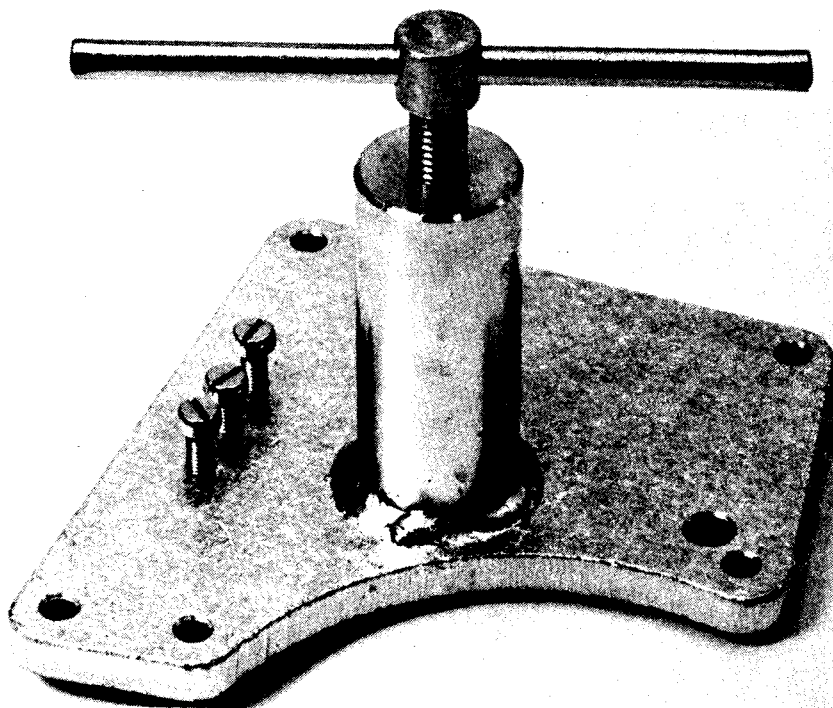
DISASSEMBLING TOOL CRANKCASE

We have a new disassembling tool for crankcase (crankcase puller).

This new tool fits the following engines:

125, 240-500, 430 AE, 500 AE, 4 strokes.

Spare part number: 15 17 947-01



1.0 02-86

Bitte wenden!!!

9-007



Manometer

Vi har manometrar för att mäta trycket i Öhlin-dämpare.

Beställningsnummer: 15 17 905-01

Pressure gauge

We have now available from spare parts department pressure gauge to check pressure in Ohlins shock absorber.

Spare parts number: 15 17 905-01

Manometer

Wir haben jetzt einen Manometer auf Lager, mit dem Sie den Druck der Öhlins-Dämpfer überprüfen können.

E-Teile-Nummer: 151 79 05-01

Preis: DM 171,50

Tuning - Anleitung 240 - 250 CR, XC, WR 86

- Zylinder:** Bearbeiten Sie den Zylinder 1 mm von unten (Zylinder 1.0 mm herunterlassen). Erhöhen Sie die Auslaß-Steueröffnung um 1.0 mm.
- Einlaß:** Bei den WR's mit rundem Schiebervergaser müssen Sie das Plastikstück des Ventilhalters beseitigen.
- Allgemeines:** Alle Öffnungen anpassen. Entfernen Sie nur Material vom Zylinder (Alu). Beseitigen Sie alle Unebenheiten.
- Zylinderkopf:** Montieren Sie den Kopf, so wie in Fig.1, um das richtige Kompressionsverhältnis 15.3:1 mit 2 (doppelten) Kolbenringe 250 zuzubekommen.
- Auspuffrohr:** Bei den WR's können Sie ein 85er Rohr 151 34 25-01, ausprobieren, welches ein gleichmäßigeres Drehzahlband hat. Wenn Sie (Motocross) möchten, daß der Motor höher dreht, schneiden Sie das letzte Stück vom Rohr (Fig.2) ab, und schauen Sie, daß das Ende einen Durchmesser von 24 mm hat. Hinzukommen 40 mm verlängern.
- Zündung:** Für die 240 WR's mit SEM-Magnet verwenden Sie jetzt das Magnet von der 250 XC 161 48-01-01.
Zündzeitpunkt 9° / 0,49 mm.
Bei den CR und XC : - Zündzeitpunkt
CR : 10° / 0,61 mm . XC: 9° / 0,49 mm

- * Vergaser einstellen
- * Der Motor darf nicht "klopfen"
- * Runde alle Kanten mit Schleifpapier ab
- * Keine Garantie

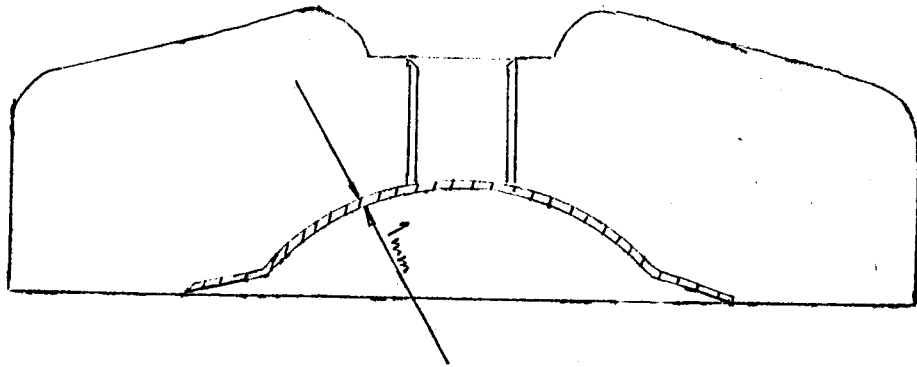


FIG 1

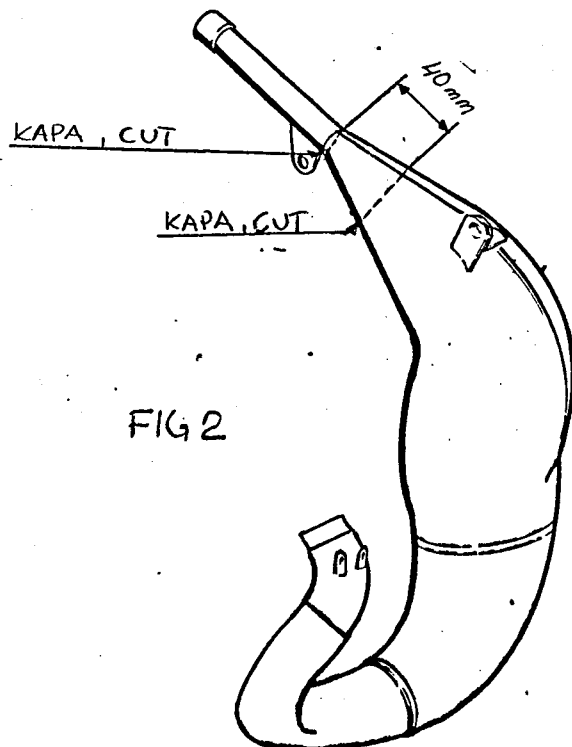


FIG 2



Husqvarna

**RESERVDLSKATALOG
SPAREPARTS MANUAL**

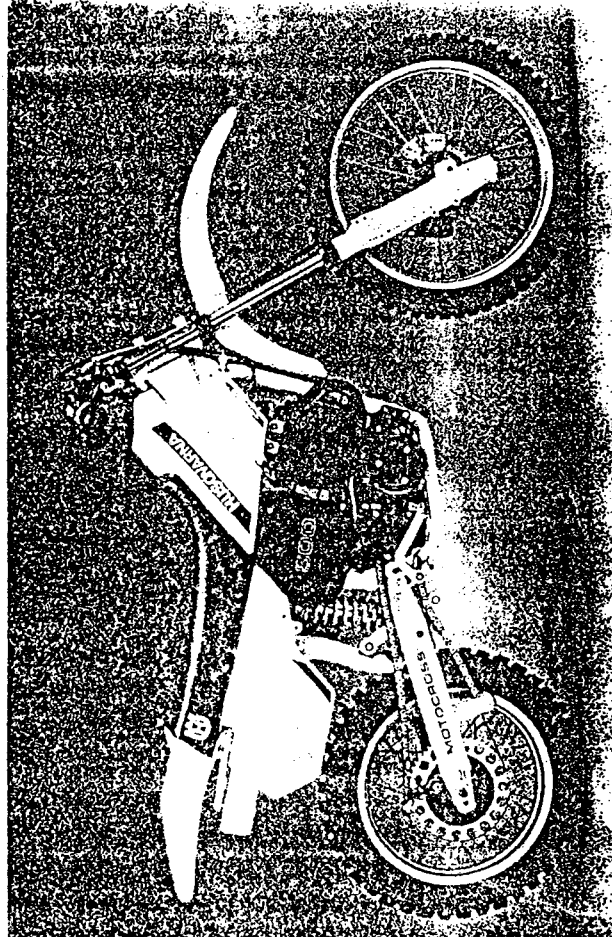
**4- TAKT
STROKE**

1986

HUSQVARNA

500 4 stroke

MOTOCROSS



TECHNICAL DATA

Engine: Single cylinder 4 stroke, air cooled
 4 valves overhead cam
 Husqvarna RAL system
 (Reed Activated Lubrication)
 Displacement: 486.6 cc
 Bore/Stroke: 90.0/76.5 mm
 Compression ratio: 9.5:1

Secondary transmission ratio: 4 (48:12)
Total gear ratios (crankshaft: rear wheel):
 1st 15.7:1 3rd 9.6:1
 2nd 11.9:1 4th 8.1:1
Clutch: Multi disc in oilbath
Chain: 5/8" x 1/4"

Oil capacity in gearbox: 1.6 lit (0.42 US gal)
Oil recommendation: High quality engine oil
 SAE 20-50 — SAE 15-40 or
 Synthetic Motor Oil SAE 15W-40

Transmission: 2.30 (76:33)
Primary transmission ratio: 2.30 (76:33)
Number of cogs, gearbox (MA:AS)
 1st 29:17 = 1.71 3rd 24:23 = 1.04
 2nd 26:20 = 1.30 4th 22:25 = 0.88

Fuel System:
Fuel: Gas min. 96 oct.
Tank capacity: 9 lit. (2.4 US gal)

HUSQVARNA

510 4 stroke

ENDURO



TECHNICAL DATA

Engine: Single cylinder 4 stroke, air cooled
 4 valves overhead cam
 Husqvarna RAL system
 (Reed Activated Lubrication)
 Displacement: 503 cc
 Bore/Stroke: 91.5/76.5 mm
 Compression ratio: 9.5:1

Secondary transmission ratio: 2.8 (48:17)
Total gear ratios (crankshaft: rear wheel):
 1st 16.9:1 4th 6.6:1
 2nd 11.8:1 5th 5.7:1
 3rd 8.9:1 6th 4.8:1
Clutch: Multi disc in oilbath
Chain: 5/8" x 1/4"

Oil capacity in gearbox: 1.6 lit (0.42 US gal)
Oil recommendation: High quality engine oil
 SAE 20-50 — SAE 15-40 or
 Synthetic Motor Oil SAE 15W-40

Transmission: 2.30 (76:33)
Primary transmission ratio: 2.30 (76:33)
Number of cogs, gearbox (MA:AS):
 1st 34:13 = 2.61 4th 24:23 = 1.04
 2nd 29:16 = 1.81 5th 22:25 = 0.88
 3rd 26:19 = 1.37 6th 20:27 = 0.74

Fuel System:
Fuel: Gas min. 96 oct.
Tank capacity: 9 lit. (2.4 US gal)

**Detta supplement innehåller de detaljer som är nya på 86 års 4-takts modeller.
Bakbroms och bakgaffel är desamma som på 430 auto 86.
Övriga detaljer är samma som på 500 CR och 400WRB 85.**

**This supplement contains the parts wich are new on 86:s 4-stroke models.
Rear brake and swingarm are the same as on 430 auto 86.
All other parts are the same as on the 500 CR and 400 WRB 85.**

DIMENSIONER OCH BETECKNINGAR

DIMENSIONS AND DISCRIPTIONS

Skrudar: Gängdimension x längd (M6 x 30)

Screws: Thread dimensions x length

Muttrar: Gängdimension (M8)

Nuts: Thread dimension

Brickor: Typ, inre \emptyset x yttre \emptyset x tjocklek
(FBB 6,4x10x1)

Washer: Type, inner \emptyset x exterior x \emptyset thickness

Typer: FBB = Fjäderbricka, öppen

Types: FBB = Spring washer open

FA = Fjäderbricka

FA = Spring washer

LI = Låsbricka, innertandad

LI = Lock washer, inside indent

Kullager: Fabrikantens beteckning (SKF 6301)

Ball bearings: Manufactures description

Tätningar: Inre \emptyset x yttre \emptyset x tjocklek (25x42x7)

Sealing rings: Inner \emptyset x exterior \emptyset thickness

L = Längd

L = Length

z = Antal kuggar

z = Numbers of cogs

N = Ny reservdel

N = New spare part

Rätt till ändringar förbehålles

Specifications subject to change without notice.

$\left. \begin{array}{l} \text{D8EA} \\ \text{D8EU} \end{array} \right\} \text{kerze liflgeh. 46. AC}$

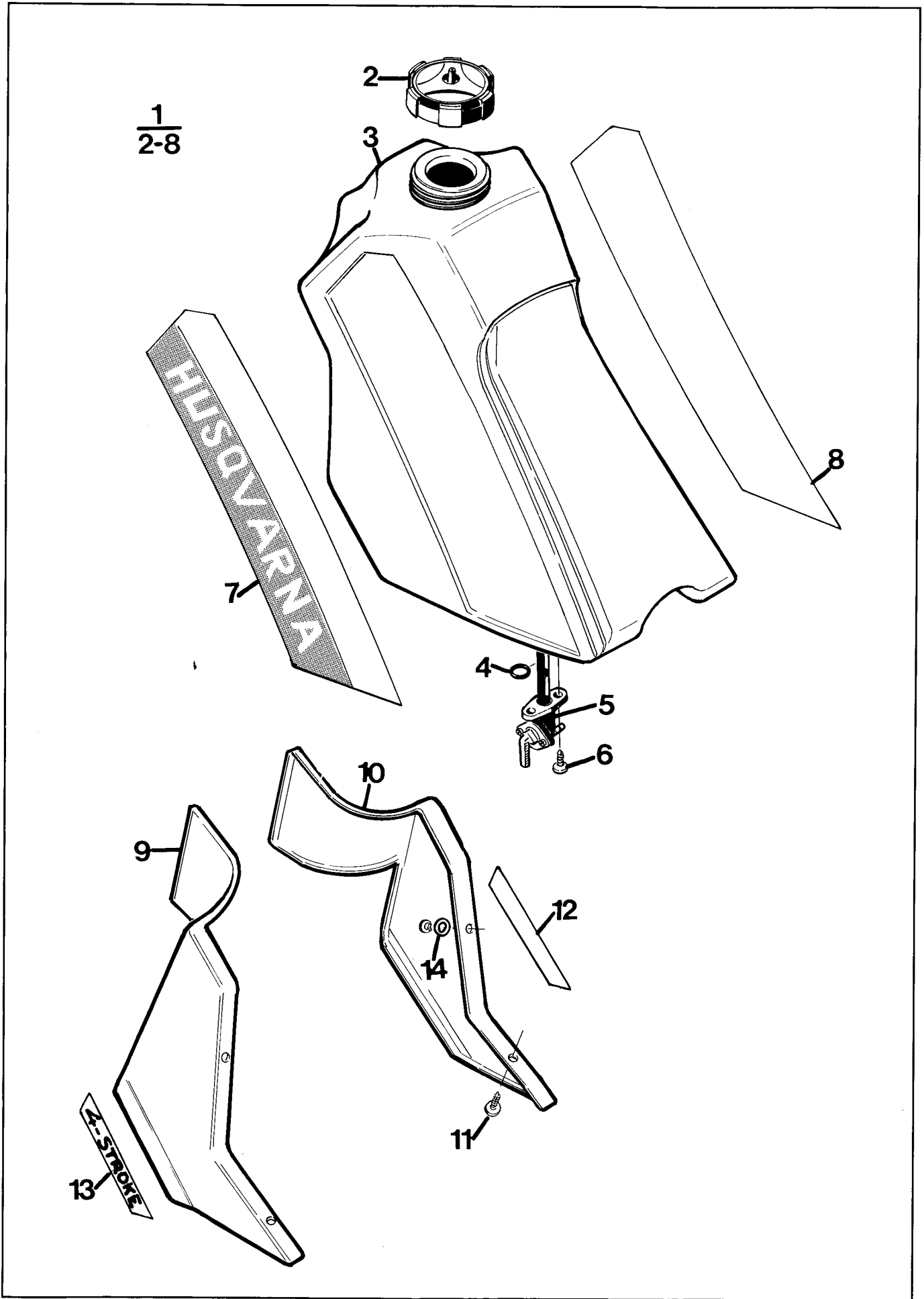


Fig.	Reservdelsnr Part Number	Antal/Quantity				Benämning/Description
		500	510	510	510	
		TC	TX	TE,EU	TE,US	
N	1	1	1	1	1	Tank Petrol Tank
	2	1	1	1	1	Tanklock Tank cap
	4	1	1	1	1	Oring Oring
	5	1	1	1	1	Bensinkran Pet cock
	6	2	2	2	2	Skruv Screw
N	7	1	1	1	1	Dekal vänster Decal left
N	8	1	1	1	1	Dekal höger Decal right
N	9	1	1	1	1	Spoiler vänster Spoiler left
N	10	1	1	1	1	Spoiler höger Spoiler right
	11	4	4	4	4	Skruv Screw
N	12	1	1	1	1	Dekal höger Decal right
N	13	1	1	1	1	Dekal vänster Decal left
	14	4	4	4	4	Bricka Washer
	15					Rahmen
	16					Auspuff, rechts Enddämpfer
	17					Auspuff, links Enddämpfer
	18					Dämpfer WR EU
						" TC
						" TX, TE, US
	19					Motormonterplatta, links
	20					" ,rechts

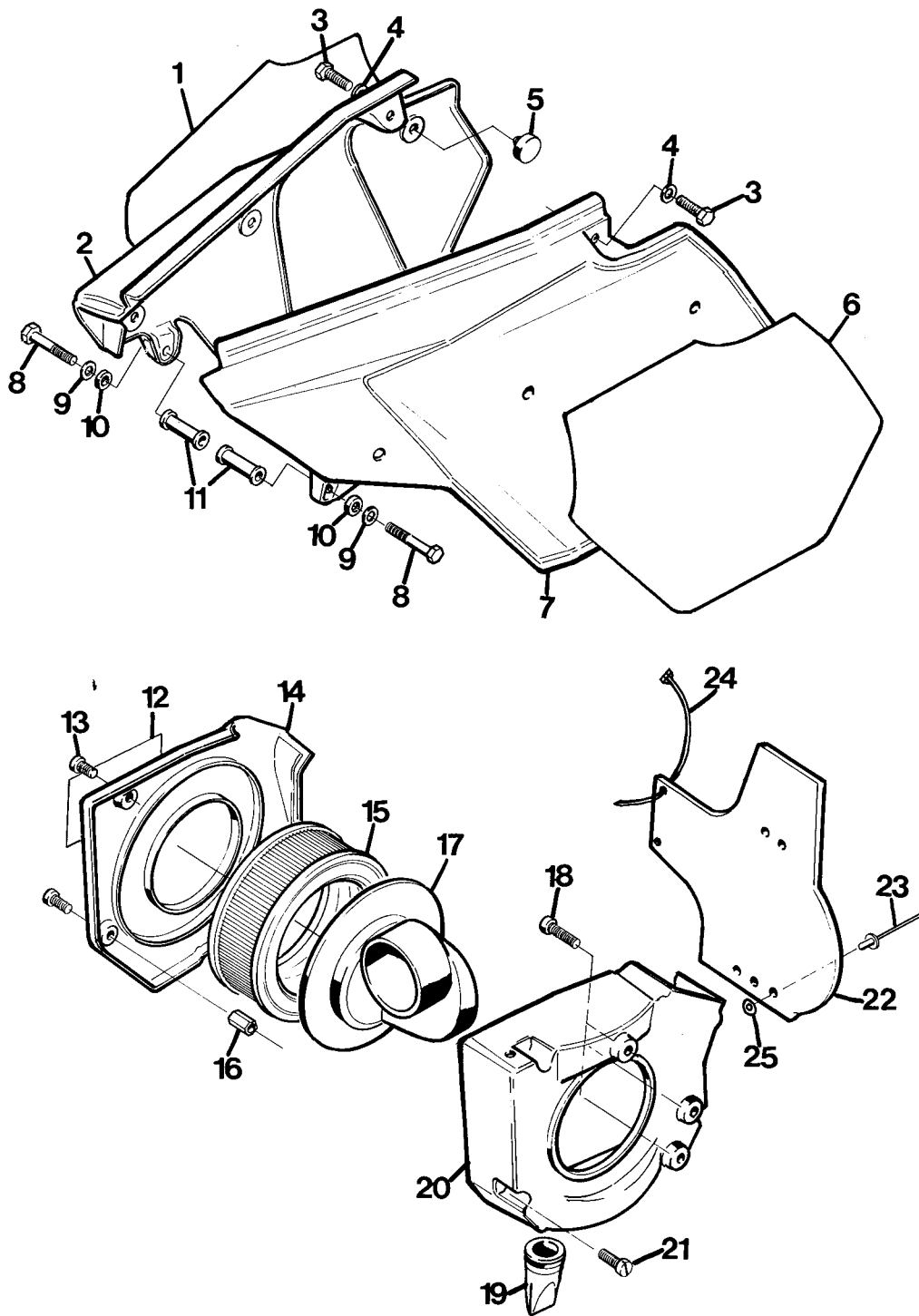


Fig.	Reservdelsnr Part Number	Antal/Quantity				Benämning/Description	
		500	510	510	510		
		TC	TX	TE,EU	TE,US		
N	1	10 15 15 829-01	1	1	1	1	Dekal höger Decal right
N	2	2 15 15 827-01	1	1	1	1	Sidopanel höger Sidecover right
	3	10 725 23 68-51	1	1	1	1	Skruv M6x16 Screw
N	4	10 15 13 734-01	1	1	1	1	Bricka Washer
	5	10 15 15 810-01	1	1	1	1	Värmskydd Heat protector
N	6	10 15 15 828-01	1	1	1	1	Dekal vänster Decal left
N	7	2 15 15 826-01	1	1	1	1	Sidopanel vänster Sidecover left
	8	10 725 23 81-53	2	2	2	2	Skruv M6x55 Screw
	9	10 15 13 734-01	2	2	2	2	Bricka Washer
N	10	10 15 18 121-01	2	2	2	2	Gummibricka Rubberwasher
	11	4 15 19 767-02	2	2	2	2	Distans Spacer
N	12	10 15 17 859-01	1				Dekal Decal
N		10 15 17 859-02		1	1	1	Dekal Decal
	13	10 725 53 66-01	3	3	3	3	Skruv M6x12 Screw
N	14	2 15 13 926-01	1	1	1	1	Lock Cover
N	15	10 15 13 928-01	1	1	1	1	Luftfilter Airfilter
N	16	3 15 13 930-01	1	1	1	1	Distanshylsa Spacer
N	17	3 15 13 927-01		1		1	Anslutning Connection
N		1 15 13 927-02			1		Anslutning Connection
	18	10 725 53 68-01	3	3	3	3	Skruv M6x16 Screw
	19	10 15 14 324-01	1	1	1	1	Dräneringsventil Drainvalve
N	20	2 15 13 925-01	1	1	1	1	Luftfilterbehållare Filterbox
	21	10 725 53 66-01	3	3	3	3	Skruv M6x12 Screw
N	22	2 15 13 931-01	1	1	1	1	Stänkskydd Protection
	23	722 78 49-02	3	3	3	3	Popnit Poprivet
	24	15 19 532-03	3	3	3	3	Buntband Zipties
	25	15 13 727-01	3	3	3	3	Bricka Washer

Cylinder topplock
Cylinder cylinderhead

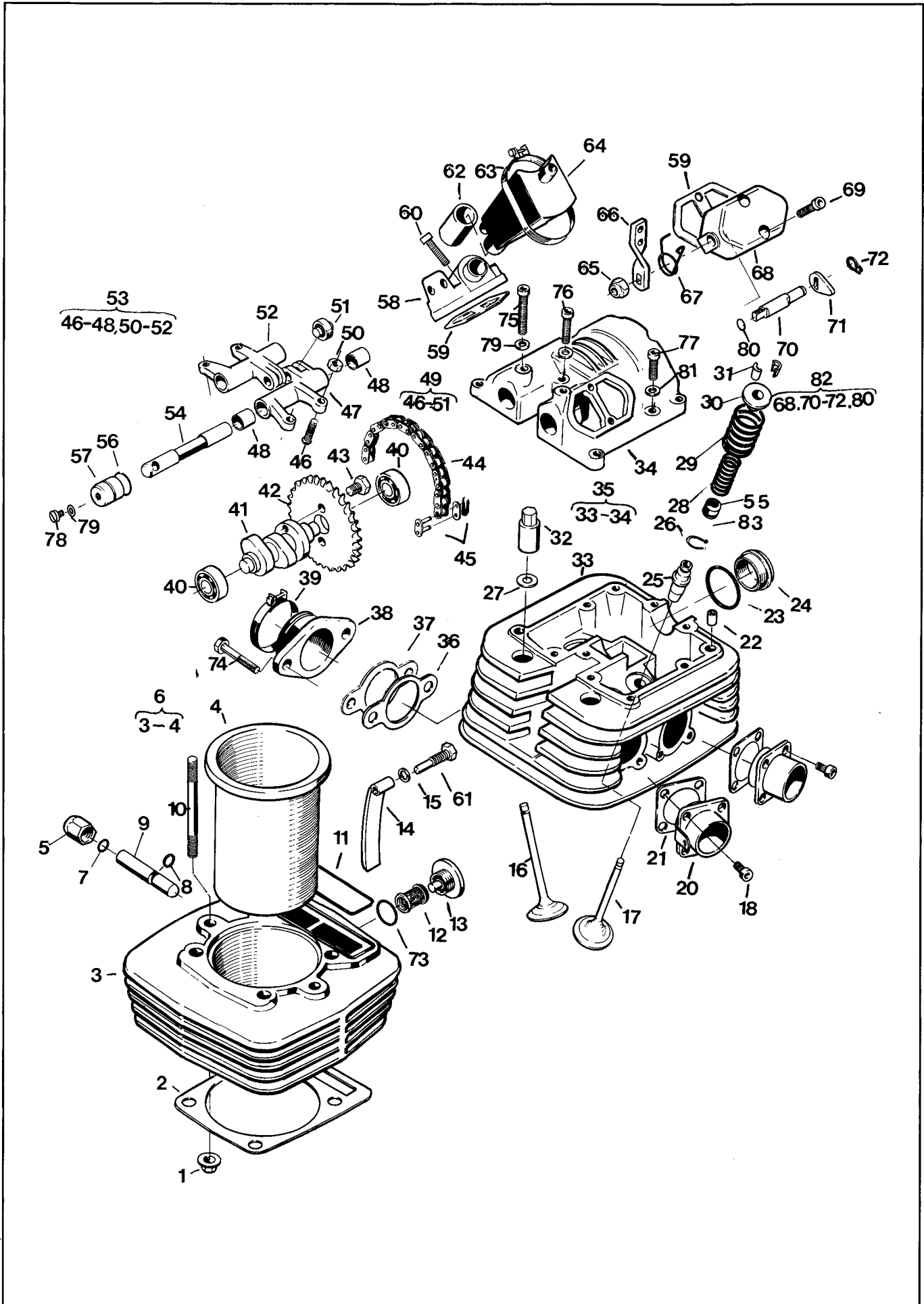


Fig.	Reservdelsnr Part Number	Antal/Quantity				Benämning/Description
		500	510	510	510	
		TC	TX	TE,EU	TE,US	
1	10 15 13 707-01	2	2	2	2	Mutter M 8, Nut
2	10 16 15 057-01	1	1	1	1	Cylinderfotspackning Base gasket
4	2 16 15 054-01	1	1	1	1	Foder Liner
5	5 16 15 262-01	1	1	1	1	Mutter Nut
6	16 15 052-03	1				Cylinder
6	16 15 052-04		1	1	1	Cylinder
7	10 16 15 263-01	1	1	1	1	Spännring Lockring
8	10 74 04 203-10	1	1	1	1	O-ring
9	3 16 15 264-01	1	1	1	1	Plunge
10	4 16 15 051-01	2	2	2	2	Dragbult Stud
11	10 16 15122-01	1	1	1	1	Packning Gasket
12	10 16 15 101-01	1	1	1	1	Oljefilter Oil filter
13	5 16 15 113-01	1	1	1	1	Filterplugg Filter plug
14	5 16 15 055-01	1	1	1	1	Släpa Cam chain tensioner
15	10 16 15 140-01	1	1	1	1	Bricka Washer
16	6 16 15 021-01	2	2	2	2	Ventil insug Ø 33 mm Valve intake Ø 33 mm
	6 16 15 267-01	2	2	2	2	Ventil insug Ø 35 mm Valve intake Ø 35 mm
17	6 16 15 022-01	2	2	2	2	Ventil avgas Valve exhaust
18	10 725 53 68-01	6	6	6	6	Skruv M6x16 Screw
18	10 725 53 66-06	2	2	2	2	Skruv M6x12 Screw
20	2 16 15 027-01	2	2	2	2	Stos Exhaust manifold
21	10 16 15 030-01	2	2	2	2	Packning Gasket
22	6 16 11 708-01	2	2	2	2	Styrstift Peg
23	10 74 04 221-10	1	1	1	1	O-ring
24	2 16 15 037-01	1	1	1	1	Plugg Plug
N	8 16 15 294-01	2	2	2	2	Ventilstyrning Valve guide
N	8 16 15 294-01	2	2	2	2	Ventilstyrning Valve guide
27	10 734 11 65-03	4	4	4	4	Bricka Washer
N	8 16 15 288-01	4	4	4	4	Ventilfjäder inre Valve spring inner
29	8 16 15 025-01	4	4	4	4	Ventilfjäder Valve spring
N	8 16 15 296-01	4	4	4	4	Knasterbricka Retainer
31	15 16 15 023-01	8	8	8	8	Ventilknaster Valve cotters
32	8 16 15 050-01	4	4	4	4	Mutter Nut
N	1 16 19 869-01	1	1	1	1	Topplöck - Vipparmskåpa Cylinder head - Cover
36	5 16 15 032-01			1		Packning Gasket
37	16 15 260-01			1		Strypbricka Restrictor plate
38	4 16 15 238-01	1	1	1	1	Anslutning Connection
39	4 16 15 206-01	1	1	1	1	Klamma Clamp
40	4 73 82 201-25	2	2	2	2	Kullager Bearing
41	1 16 15 038-01	1	1	1	1	Kamaxel Cam shaft

Cylinder topplock Cylinder cylinderhead

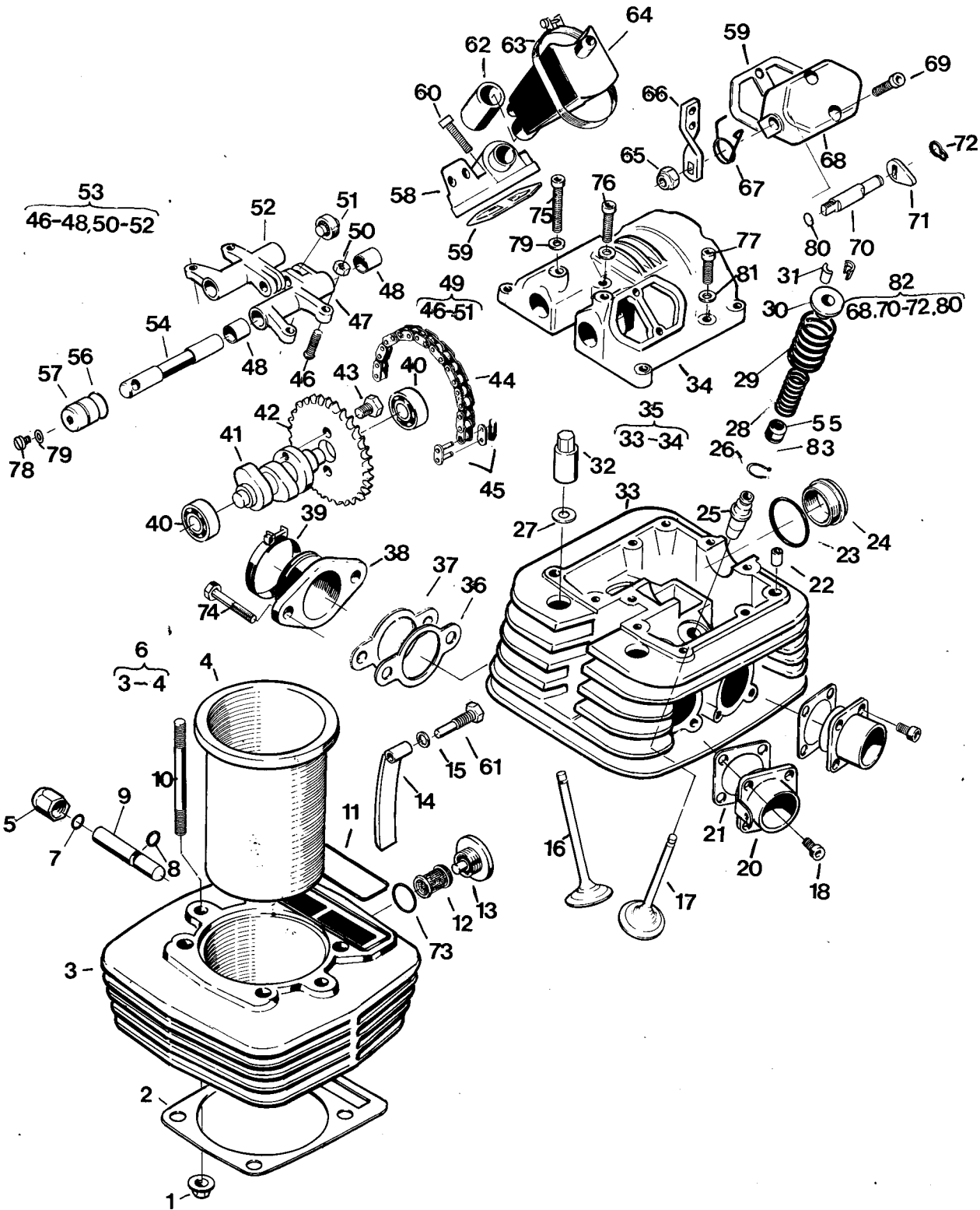


Fig.	Reservdelsnr Part Number	Antal/Quantity				Benämning/Description
		500	510	510	510	
		TC	TX	TE,EU	TE,US	
42	1 16 15 039-01	1	1	1	1	Kamkedjedrev Cam chain sprocket
43	10 16 15 266-01	2	2	2	2	Skruv M8x12 Screw
44	10 16 15 099-01	1	1	1	1	Kamkedja Cam chain
45	10 16 15 100-01	1	1	1	1	Kedjelås Master link
46	20 16 15 049-01	4	4	4	4	Justerskruv Adjusting screw
48	4 16 15 043-01	4	4	4	4	Bussning Bushing
49	1 16 19 853-01	1	1	1	1	Vipparm avgas Rocker arm exhaust
50	20 16 15 156-01	1	1	1	1	Mutter Nut
51	4 16 15 045-01	2	2	2	2	Rullyftare Roller bearing
53	1 16 19 854-01	1	1	1	1	Vipparm insug Rocker arm intake
54	2 16 15 042-01	2	2	2	2	Vipparmsaxel Rocker arm shaft
N 55	20 16 15 303-01	4	4	4	4	Tätning, ventilstyrning Seal, valve guide
56	1 74 04 215-10	2	2	2	2	O-ring
57	2 16 15 044-01	2	2	2	2	Plugg Plug
58	1 16 15 121-01	1	1	1	1	Justerkåpa Adjusting cover
59	10 16 15 036-01	2	2	2	2	Packning Gasket
60	725 53 71-01	3	3	3	3	Skruv M6x22 Screw
61	2 16 15 056-01	1	1	1	1	Skruv Screw
N 62	2 16 15 141-02	1	1	1	1	Slang Hose
63	16 13 539-01	1	1	1	1	Klamma Clamp
64	5 16 15 128-01	1	1	1	1	Behållare Container crank case ventilation
65	10 73 22 118-01	1	1	1	1	Mutter M8 Nut
66	2 16 15 152-01	1	1	1	1	Hävarm Lever
67	5 16 15 123-01	1	1	1	1	Fjäder Spring
68	16 15 035-01	1	1	1	1	Ventillyftarkåpa Decompressor cover
69	10 725 53 78-01	1	1	1	1	Skruv M6x40 Screw
70	16 15 084-01	1	1	1	1	Axel Shaft
71	16 15 085-01	1	1	1	1	Kam ventillyftare Decompressor cam
72	73 53 110-00	1	1	1	1	Spårring Circlip
73	10 74 04 818-12	1	1	1	1	O-ring
74	10 72 55 461-01	2	2	2	2	Skruv M6x50 Screw
75	10 72 55 382-01	2	2	2	2	Skruv M6x60 Screw
76	10 72 55 379-01	1	1	1	1	Skruv M6x45 Screw
77	10 72 55 374-01	8	8	8	8	Skruv M6x30 Screw
78	10 72 31 362-01	2	2	2	2	Skruv Screw
79	10 16 10 823-01	4	4	4	4	Bricka Washer
80	74 04 205-10	1	1	1	1	O-ring
81	10 15 13 730-01	9	9	9	9	Bricka Washer
82	1 16 15 094-01	1	1	1	1	Ventillyftarkåpa Kpl. Adjusting cover compl.
84	4 735 31 13-40	4	4	4	4	Spårring Circlip

Vevaxel kolv
Crankshaft piston

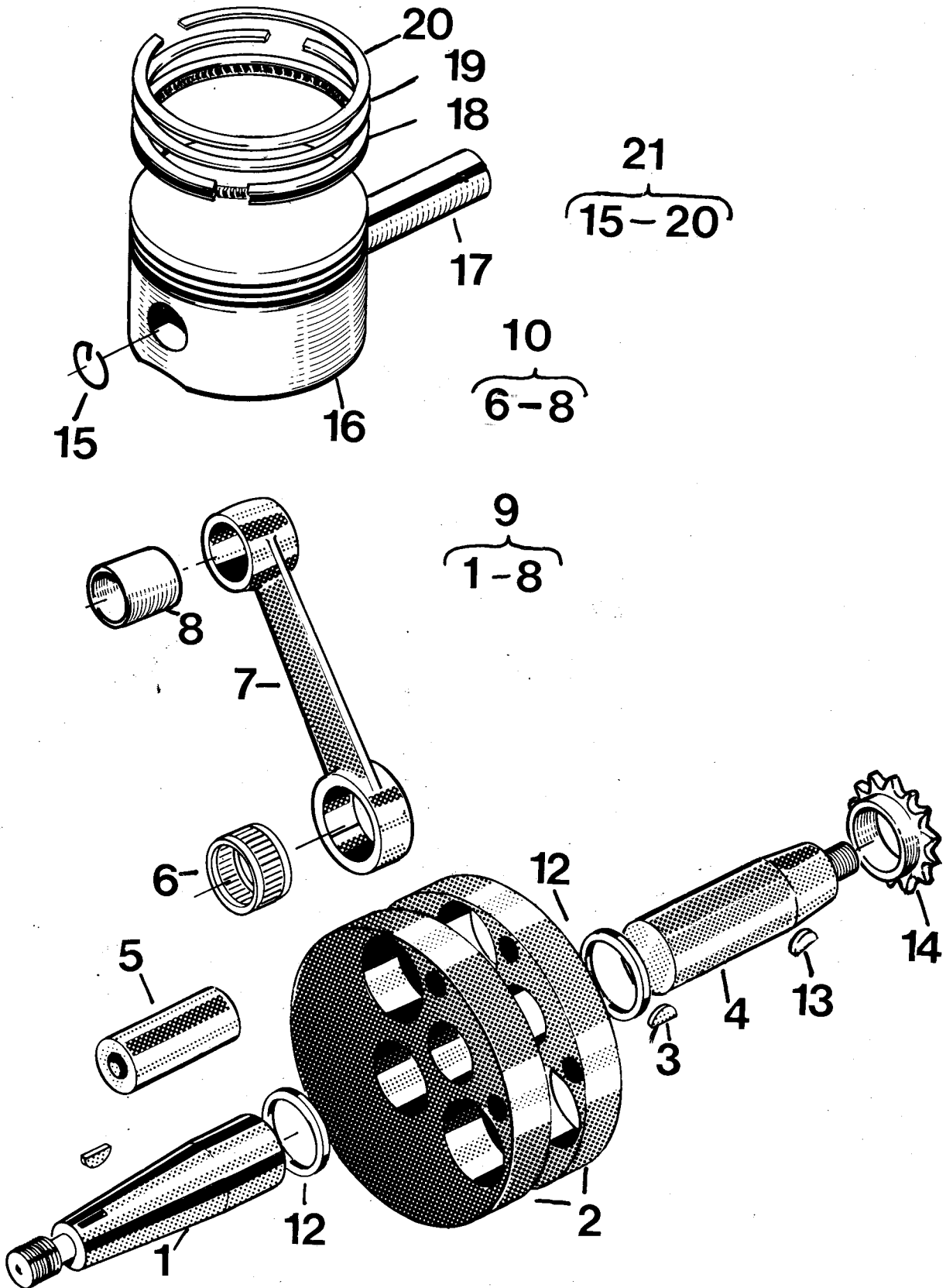


Fig.	Reservdelsnr Part Number	Antal/Quantity				Benämning/Description
		500	510	510	510	
		TC	TX	TE,EU	TE,US	
1	16 15 280-01 16 11 015-01	1	1	1	1	Vevaxel, höger Crank shaft, right
3	10 73 58 016-00	1	1	1	1	Kil Key
4	2 16 15 063-01	1	1	1	1	Vevaxel, vänster Crank shaft, left
8	2 16 15 076-01	1	1	1	1	Kolvbultsbussning Small end bushing
9	16 15 061-01	1	1	1	1	Vevaxel, kpl. Crank shaft, compl.
10	5 16 19 840-01	1	1	1	1	Renoveringssats, Vevstake Con rod, overhaul kit
12	4 16 12 864-01	2	2	2	2	Distans Spacer
13	2 16 15 098-01	1	1	1	1	Kil Key
14	1 16 15 058-01	1	1	1	1	Kam kedjedrev Cam chain sprocket
15	1 16 15 069-01	2	2	2	2	Låsring Circlip
18	3 16 15 067-01	1				Oljering, Cyl. Ø 90 mm Oil ring
18	3 16 15 067-02					Oljering, Cyl. Ø 90,5 mm Oil ring
18	3 16 15 072-01		1	1	1	Oljering, Cyl. Ø 91,5 mm Oil ring
18	3 16 15 072-02					Oljering, Cyl. Ø 92 mm Oil ring
19	3 16 15 082-01	1				Kolvring, Cyl. Ø 90 mm Piston ring
19	3 16 15 082-02					Kolvring, Cyl. Ø 90,5 mm Piston ring
19	3 16 15 083-01		1	1	1	Kolvring, Cyl. Ø 91,5 mm Piston ring
19	3 16 15 083-02					Kolvring, Cyl. Ø 92 mm Piston ring
20	3 16 15 066-01	1				Kolvring, Cyl. Ø 90 mm Piston ring
20	3 16 15 066-02					Kolvring, Cyl. Ø 90,5 mm Piston ring
20	3 16 15 071-01		1	1	1	Kolvring, Cyl. Ø 91,5 mm Piston ring
20	3 16 15 071-02					Kolvring, Cyl. Ø 92 mm Piston ring
21	3 16 15 065-01	1				Kolv, kpl. Cyl. Ø 90 mm Piston, compl.
21	3 16 15 065-02					Kolv, kpl. Cyl. Ø 90,5 mm Piston, compl.
21	3 16 15 070-01		1	1	1	Kolv, kpl. Cyl. Ø 91,5 mm Piston, compl.
21	3 16 15 070-02					Kolv, kpl. Cyl. Ø 92 mm Piston, compl.
	16 15 070-03		1	1	1	Piston, compl.

92,5

Vevhus höger med kåpa
Crankcase right with covers

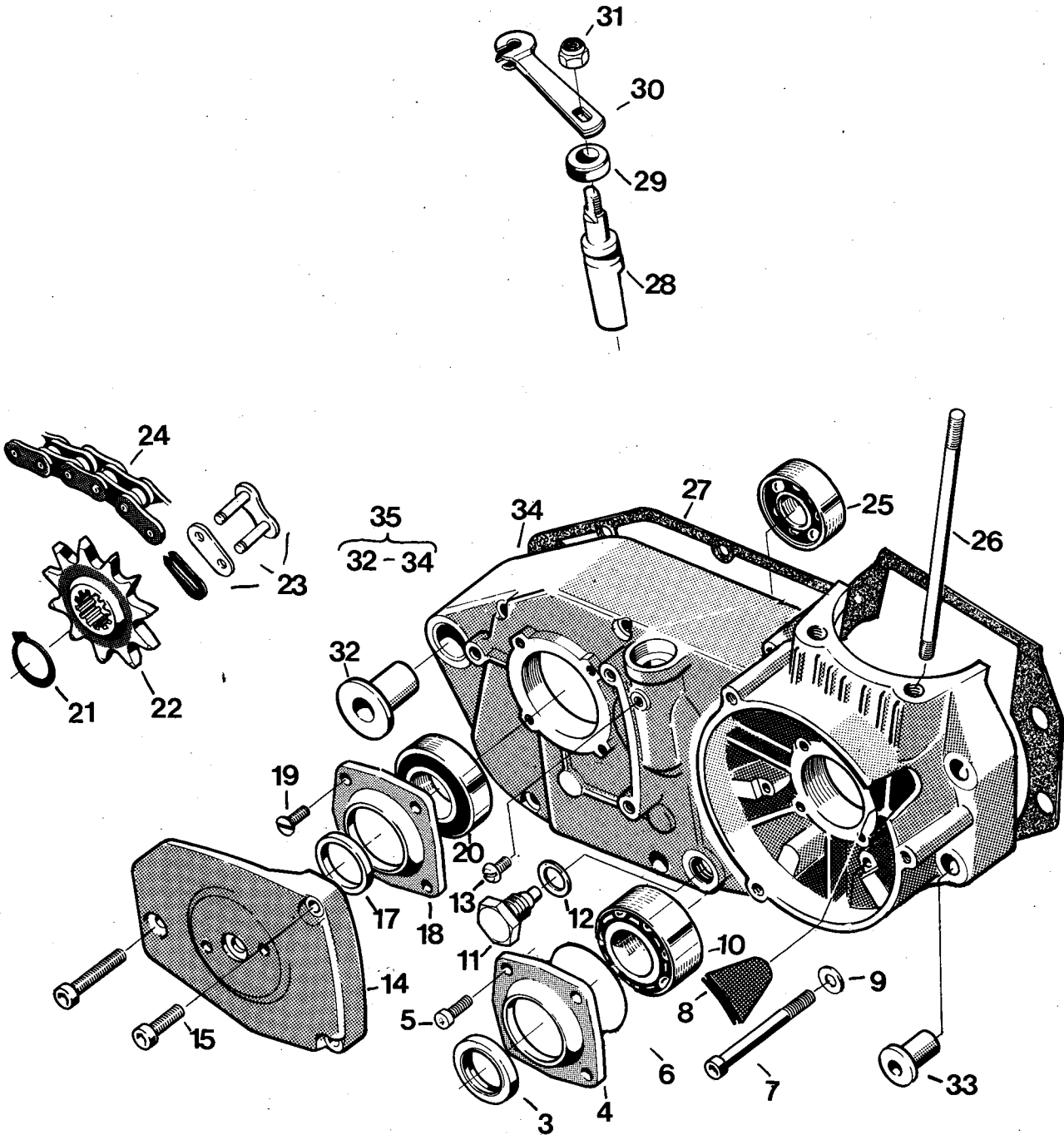


Fig.	Reservdelsnr Part Number	Antal/Quantity				Benämning/Description	
		500	510	510	510		
		TC	TX	TE,EU	TE,US		
N	3	10 15 13 725-02	1	1	1	1	Tättring
N	4	5 16 15 307-01	1	1	1	1	Seal
	5	10 725 23 31-86	4	4	4	4	Fläns Flange
N	6	10 740 44 16-10	1	1	1	1	Skruv M5x20 Screw
	7	10 72 55 385-01	6	6	6	6	Oring 49.5x3 Viton
	8	5 16 14 728-02	1	1	1	1	Skruv M6x75 Screw
	9	10 15 13 730-01	6	6	6	6	Genomföring Grommet
	10	10 73 83 205-40	1	1	1	1	Bricka Washer
	11	2 16 12 537-01	1	1	1	1	Lager Bearing
	12	10 12 25 025-01	1	1	1	1	Magnetplugg Drain plug
	13	10 72 31 323-01	1	1	1	1	Packning Gasket
N	14	2 16 11 816-02	1	1	1	1	Skruv M5x8 Screw
	15	10 72 55 374-01	3	3	3	3	Kåpa Cover
	17	10 16 12 359-01	1	1	1	1	Skruv M6x30 Screw
	18	5 16 11 778-01	1	1	1	1	Distans Spacer
	19	10 72 35 328-55	4	4	4	4	Fläns Flange
N	20	10 16 15 309-01	1	1	1	1	Skruv M5x14 Screw
	21	10 73 53 126-00	1	1	1	1	Lager Bearing
	22	10 16 12 693-03	1				Låsring Circlip
		5 16 12 693-08			1		Drev 12 t Sprocket
		10 16 12 693-05		1		1	Drev 17 t Sprocket
	23	15 19 374-01	1	1	1	1	Drev 14 t Sprocket
	24	15 19 373-10	1	1	1	1	Kedjelås Master link
	25	10 73 82 302-40	1	1	1	1	Kedja Chain
	26	4 16 15 116-01	4	4	4	4	Lager Bearing
N	27	10 16 15 014-02	1	1	1	1	Dragstång Cylinder stud
N	28	2 16 15 310-01	1	1	1	1	Packning Gasket
	29	10 15 13 722-01	1	1	1	1	Frikopplingsaxel Declutching shaft
	30	5 16 14 645-01	1	1	1	1	Tättring Seal
	31	10 73 22 118-01	1	1	1	1	Hävvarm Lever
N	32	2 16 14 589-01	1	1	1	1	Mutter M8 Nut
	33	4 16 10 777-01	2	2	2	2	Flänsbussning Flange sleeve
N	35	16 19 866-01	1	1	1	1	Flänsbussning Flange sleeve
N		1 16 19 868-01	1	1	1	1	Vevhushalva H kpl. Crank case half right compl.
		5 16 19 846-01					Vevhus kpl. Crank case compl.
							Packningsatts Gasket set
	36	16 15 308-01					O-Ring

Vevhus vänster med kåpa
Crankcase left with cover

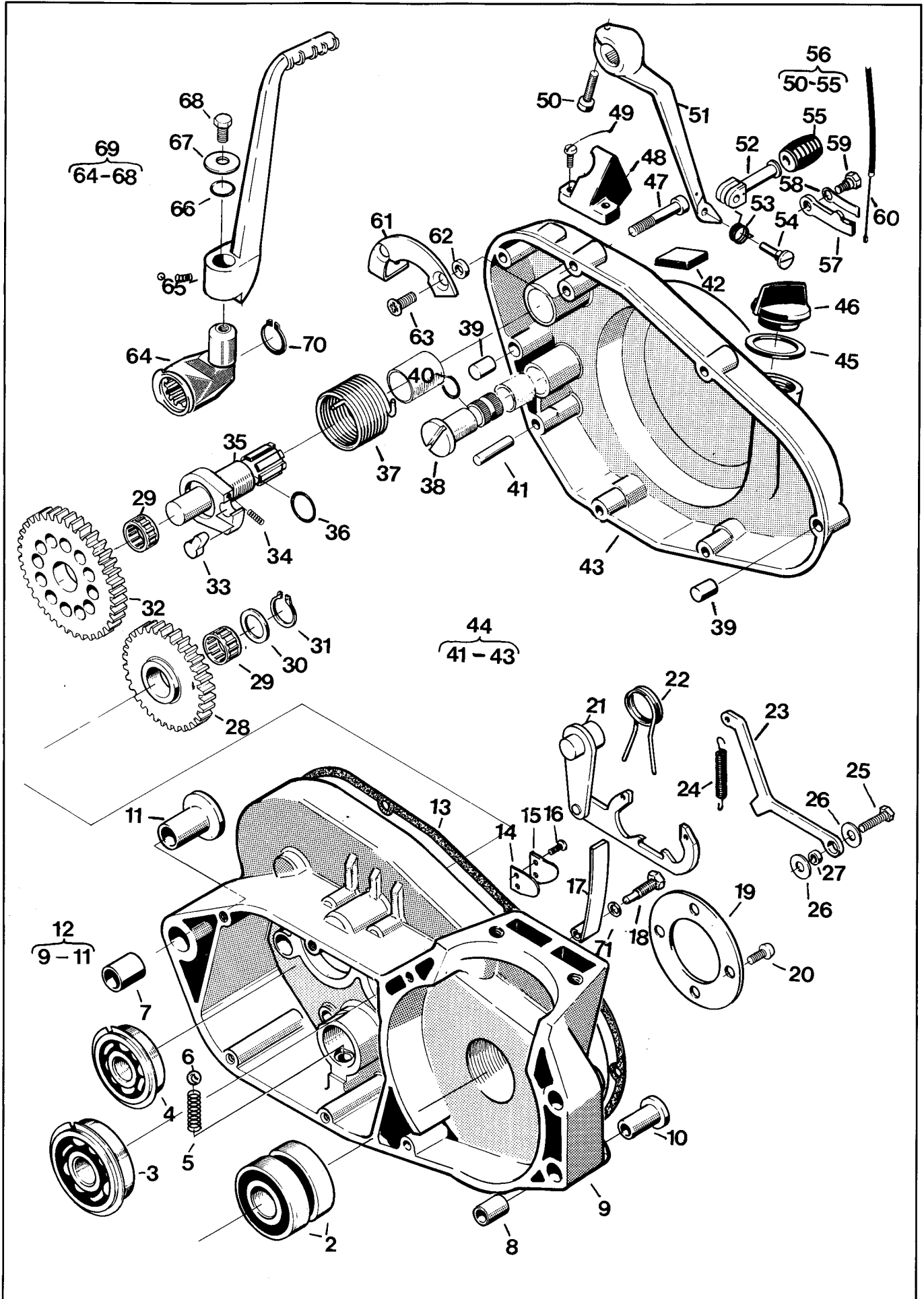


Fig.	Reservdelsnr Part Number	Antal/Quantity				Benämning/Description
		500	510	510	510	
		TC	TX	TE,EU	TE,US	
	2 10 73 82 205-28	2	2	2	2	Lager Bearing
	3 5 15 13 721-01	1	1	1	1	Lager Bearing
	4 5 15 13 720-01	1	1	1	1	Lager Bearing
	5 5 16 12 745-01	1	1	1	1	Fjäder Spring
	6 5 73 86 130-03	1	1	1	1	Kula Ball
N	7 3 16 14 590-01	1	1	1	1	Styrhylsa Dowel pins
	8 3 16 10 776-01	1	1	1	1	Styrhylsa Dowel pins
	10 3 16 10 777-01	1	1	1	1	Flänsbussning Flange sleeve
N	11 3 16 14 589-01	1	1	1	1	Flänsbussning Flange sleeve
N	12 16 19 867-01	1	1	1	1	Vevhushalva V Crank case half left
N	13 20 16 11 650-02	1	1	1	1	Packning Gasket
	14 10 16 15 015-01	1	1	1	1	Ventil Reed valve
	15 2 16 15 105-01	1	1	1	1	Ventilstopp Reed valve support
	16 10 72 32 285-31	2	2	2	2	Skruv M4x6 Screw
	17 5 16 15 055-01	1	1	1	1	Släpa Cam chain tensioner
	18 3 16 15 056-01	1	1	1	1	Skruv Screw
	19 2 16 10 779-01	1	1	1	1	Stödbricka Support washer
	20 10 72 52 331-86	4	4	4	4	Skruv M5x20 Screw
	21 5 16 11 686-01	1	1	1	1	Växelmatare Gear selecto linkage
	22 10 16 11 692-01	1	1	1	1	Returfjäder Return spring
	23 5 16 11 683-01	1	1	1	1	Lägeshake Hook link
	24 10 16 11 684-01	1	1	1	1	Fjäder Spring
	25 10 72 52 368-53	1	1	1	1	Skruv M6x16 Screw
	26 10 15 13 734-01	2	2	2	2	Bricka Washer
	27 5 16 11 216-01	1	1	1	1	Bussning Bushing
	28 3 16 11 271-01	1	1	1	1	Mellanhjul Idle gear
	29 10 16 11 675-01	1	1	1	1	Nållager Needle bearing
	30 10 15 13 714-01	1	1	1	1	Bricka Washer
	31 10 73 53 118-00	1	1	1	1	Spårring Circlip
	32 3 16 11 270-01	1	1	1	1	Kickdrev Kickstart gear
	33 5 16 11 680-01	1	1	1	1	Medbringare Driver
	34 10 16 11 681-01	1	1	1	1	Fjäder Spring
	35 5 16 11 677-01	1	1	1	1	Kickaxel Kickstart shaft
	36 10 74 04 313-10	2	2	2	2	O-ring
	37 5 16 11 682-01	1	1	1	1	Kickfjäder Return spring
	38 2 16 11 746-01	1	1	1	1	Växlingsaxel Gear shift shaft

Vevhus vänster med kåpa
Crankcase left with cover

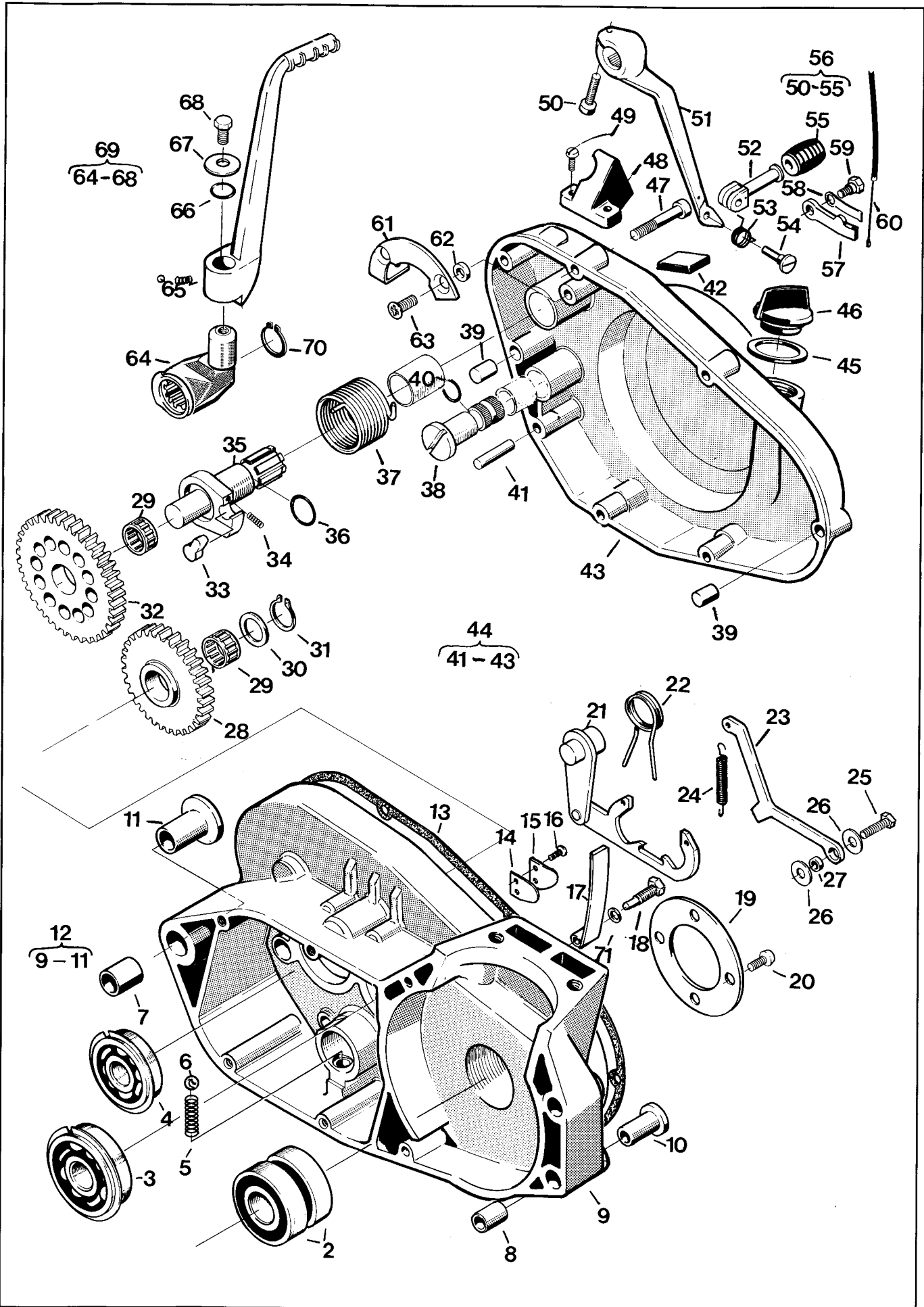


Fig.	Reservdelsnr Part Number	Antal/Quantity				Benämning/Description
		500	510	510	510	
		TC	TX	TE,EU	TE,US	
39	4 16 11 708-01	2	2	2	2	Styrstift Dowel pins
40	10 74 04 310-10	2	2	2	2	O-ring
41	2 72 113 44-40	1	1	1	1	Pinne Pin
42	10 16 15 142-01	1	1	1	1	Gummi Rubber
44	AG 10 815-01 2 16 15 824-02	1	1	1	1	Transmissionskåpa kpl. Neue Nr.: 161 99 04-04 Transmission cover compl.
45	5 50 12 782-01	1	1	1	1	Packning Gasket
46	5 16 10 786-02	1	1	1	1	Lock Cap
47	10 72 55 379-01	2	2	2	2	Skruv M6x45 Screw
47	10 72 55 378-01	5	5	5	5	Skruv M6x40 Screw
48	5 16 11 294-02	1	1	1	1	Kickhållare Kickstarter retainer
49	10 72 31 328-01	2	2	2	2	Skruv M5x14 Screw
50	10 72 55 370-01	1	1	1	1	Skruv M6x22 Screw
55	16 12 688-01	1	1	1	1	Gummi Rubber
56	2 16 12 683-01	1	1	1	1	Växelspak kpl. Gear lever compl.
57	2 16 15 148-01	1	1	1	1	Lyftare Lifter
58	2 16 15 147-01	1	1	1	1	Fjäder Spring
59	2 16 15 146-01	1	1	1	1	Ledskruv Screw
60	5 15 15 334-01	1	1	1	1	Wire
61	5 16 11 704-01	1	1	1	1	Fjäderhållare Spring holder
62	4 16 11 706-01	2	2	2	2	Distans Spacer
63	10 72 43 370-50	2	2	2	2	Skruv Screw
N 64	16 15 144-02	1	1	1	1	Axeldel Lower part kickstarter
N 65	16 11 083-02	1	1	1	1	Kick Kickstarter
66	10 74 04 310-00	1	1	1	1	O-ring
67	10 16 11 298-01	1	1	1	1	Bricka Washer
68	10 72 55 368-01	1	1	1	1	Skruv M6x16 Screw
69	1 16 15 151-01	1	1	1	1	Kick kpl. Kickstarter compl.
70	10 73 53 122-00	1	1	1	1	Spårring Circlip
71	10 16 15 140-01	1	1	1	1	Bricka Washer

Växellåda, koppling Gearbox clutch 4-speed

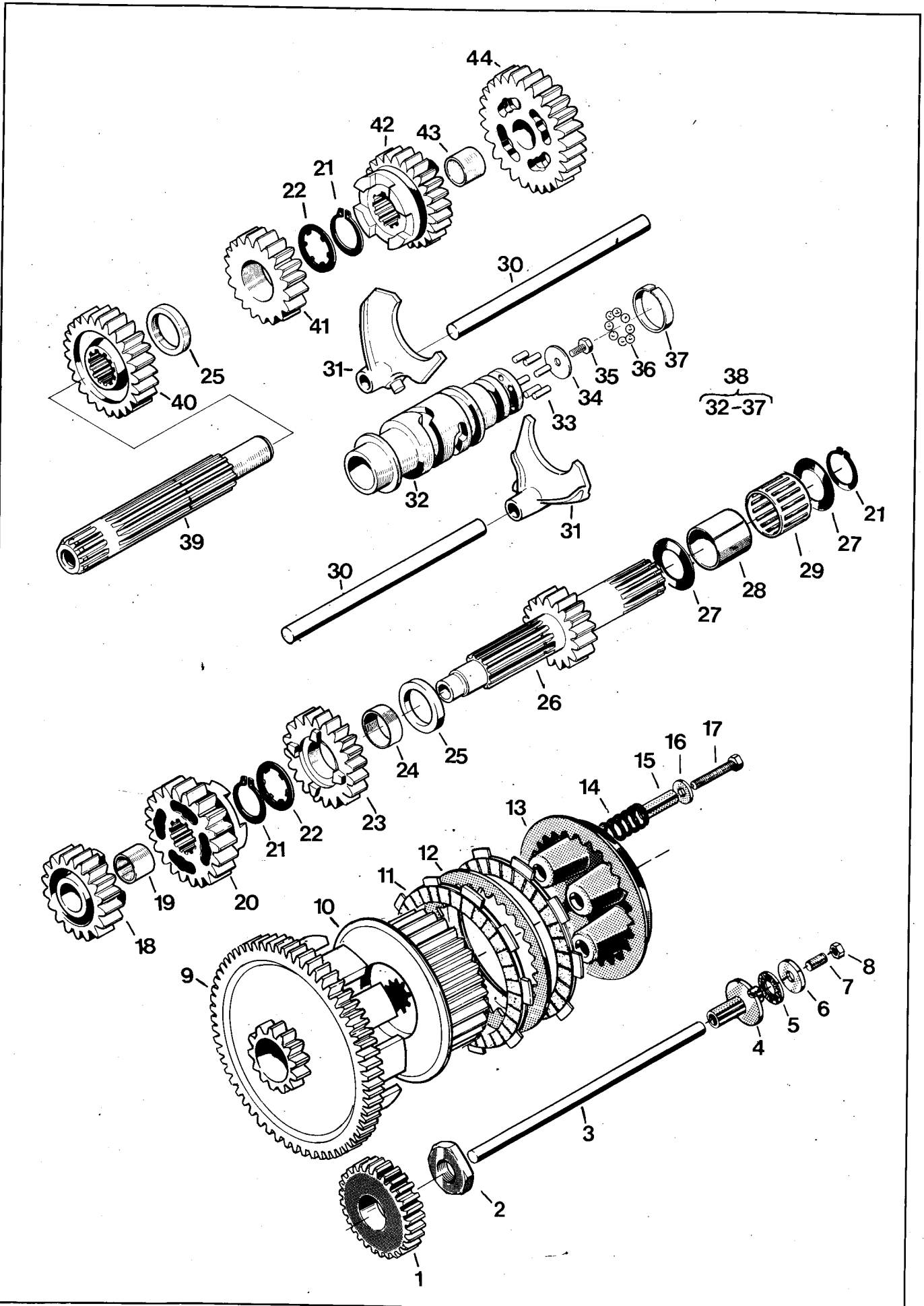


Fig.	Reservdelsnr Part Number	Antal/Quantity				Benämning/Description
		500	510	510	510	
		TC	TX	TE,EU	TE,US	
1	1 16 11 075-01	1				Drivhjul Drive gear
2	2 16 11 101-01	1				Mutter Nut
3	2 16-15-315-01	1				Tryckstång <i>161 7003-01</i> Pushrod
4	2 16 11 170-01	1				Axelhylsa Shaftsleeve
5	2 16 11 166-01	1				Axiallager Bearing
6	2 16 11 167-01	1				Bricka Washer
7	5 72 85 370-00	1				Skruv Screw
8	10 15 13 703-01	1				Mutter Nut
9	2 16 11 076-01 <i>16-14426-01</i>	1				Kopplingskorg <i>Nu N₂ 16 14426-01</i> Clutchgear
10	2 16 15 088-01	1				Kopplingscentrum Clutchhub
N	11 16 15 273-01	8				Lamell med beläggning Clutchdisc with lining
N	12 16 15 274-01	9				Lamell Clutchdisc
13	2 16 11 168-02	1				Tryckskiva Pushplate
14	5 16 15 285-01	5				Kopplingsfjäder Clutch spring
15	5 16 11 169-01	5				Distans Spacer
16	10 73 44 926-01	5				Bricka Washer
17	10 72 52 378-71	5				Skruv M6x40 Screw
18	2 16 12 373-01	1				Kugghjul 2:an Gearwheel 2:nd z = 20
19	2 16 12 380-01	1				Lagerhylsa Sleeve
20	2 16 12 375-01	1				Kugghjul 4:an Gearwheel 4:th z = 25
21	10 73 53 126-00	3				Spårring Circlip
22	10 16 11 717-01	2				Stödbricka Washer
23	2 16 12 374-01	1				Kugghjul 3:an Gearwheel 3:rd z = 23
24	3 16 12 381-01	1				Lagerhylsa Sleeve
25	2 16 12 383-01	2				Distans Spacer
26	3 16 12 368-01	1				Huvudaxel Mainshaft z = 17
27	4 16 11 155-01	2				Bricka Washer
28	2 16 11 670-01	1				Innerring Inner race
29	2 16 11 671-01	1				Nålållare Needle bearing
30	4 16 11 699-01	2				Axel Shaft
31	4 16 12 384-01	2				Växelförare Gear striker
33	6 72 01 268-50	6				Pinne Pin
34	2 15 13 709-01	1				Bricka Washer
35	2 72 52 364-86	1				Skruv Screw
36	20 73 86 120-11	11				Kula Ball

Växellåda, koppling Gearbox clutch 4-speed

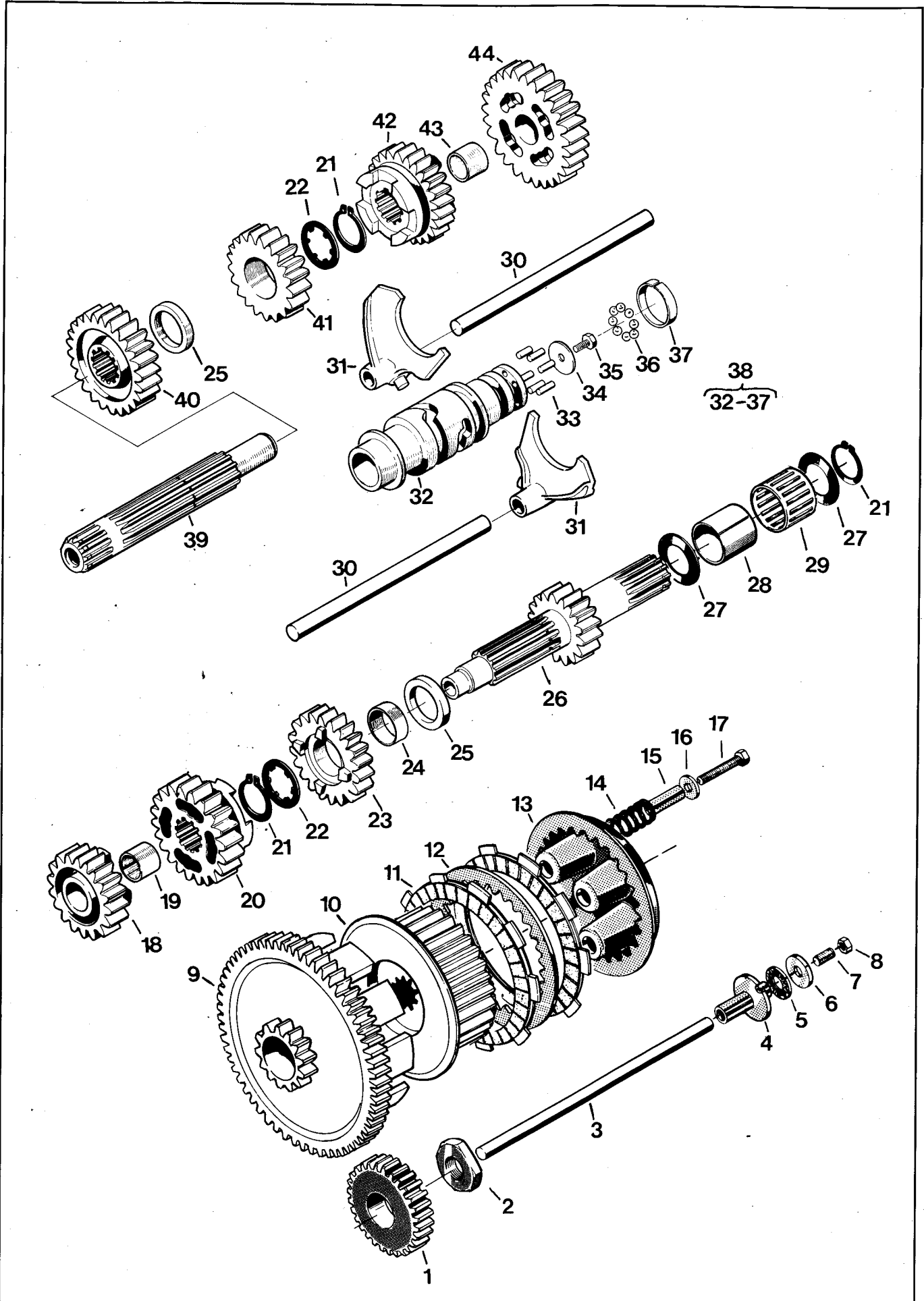


Fig.	Reservdelsnr Part Number	Antal/Quantity				Benämning/Description
		500	510	510	510	
		TC	TX	TE,EU	TE,US	
37	16 12 699-01	1				Kulbana Ball race
38	16 12 371-01	1				Kulissrulle Shift drum
39	16 12 369-01	1				Hjälpaxel Auxiliary shaft
40	16 12 377-01	1				Kuggjul 2:an Gear wheel 2:nd z = 26
41	16 12 379-01	1				Kuggjul 4:an Gear wheel 4:th z = 22
42	16 12 378-01	1				Kuggjul 3:an Gear wheel 3:rd z = 24
43	15 12 380-01	1				Lagerhylsa Sleeve
44	16 12 376-01	1				Kuggjul 1:an Gear wheel 1:st z = 29

Växellåda, koppling
Gearbox clutch 6-speed

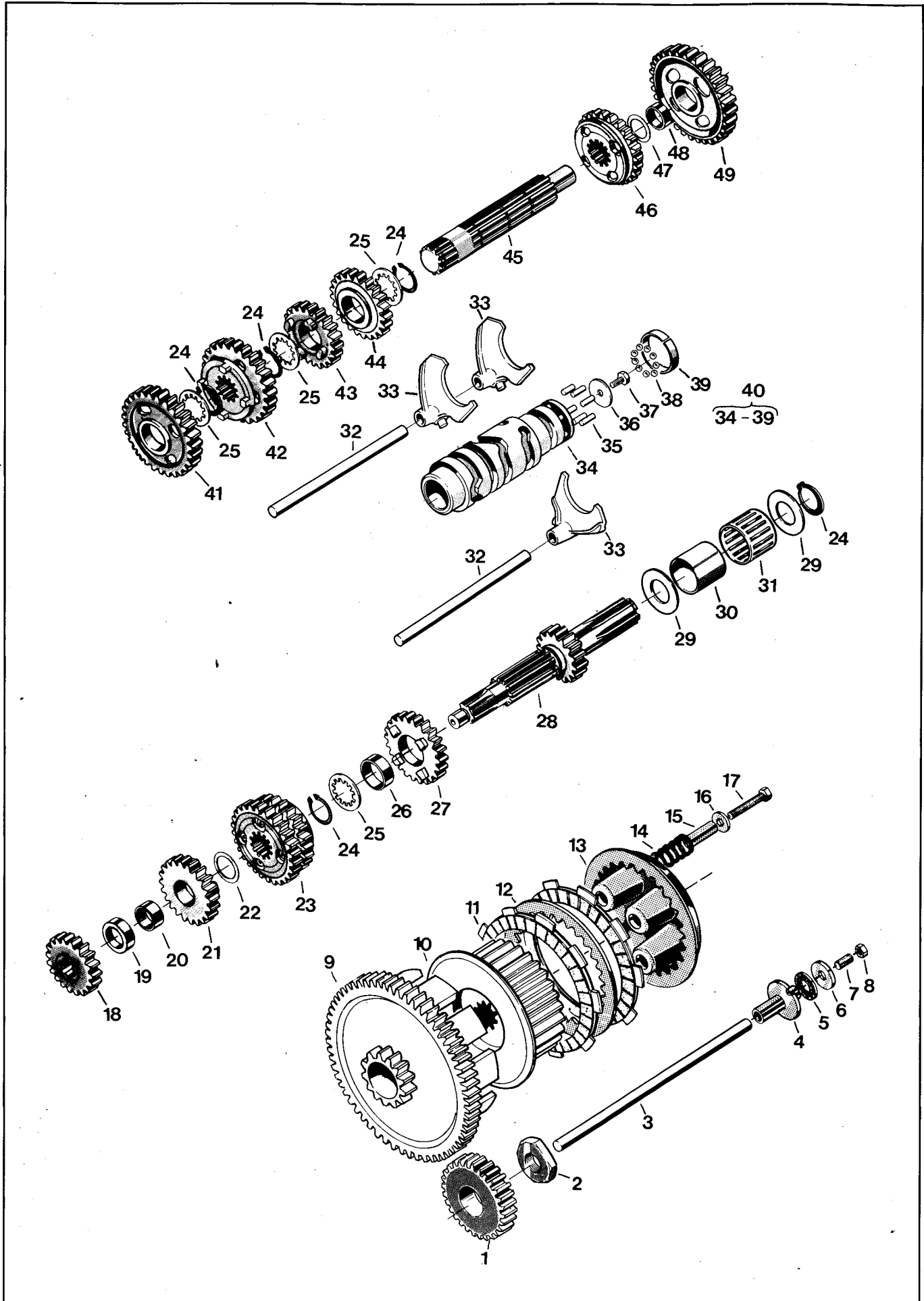


Fig.	Reservdelsnr Part Number	Antal/Quantity				Benämning/Description
		500	510	510	510	
		TC	TX	TE,EU	TE,US	
1	1 16 11 075-01		1	1	1	Drivhjul Drive gear
2	2 16 11 101-01		1	1	1	Mutter Nut
3	2 16 15 315-01		1	1	1	Tryckstång - 161 70 03-04 Pushrod
4	2 16 11 170-01		1	1	1	Axelhylsa Shaft sleeve
5	2 16 11 166-01		1	1	1	Axiallager Bearing
6	2 16 11 167-01		1	1	1	Bricka Washer
7	10 72 85 370-00		1	1	1	Skruv Screw
8	10 15 13 703-01		1	1	1	Mutter Nut
9	2 16 11 075-01 16 14 426-01		1	1	1	Kopplingskorg Clutchgear
10	2 16 15 088-01		1	1	1	Kopplingscentrum Clutchhub
N 11	16 16 15 273-01		8	8	8	Lamell med beläggning Clutchdisc with lining
N 12	18 16 15 274-01		9	9	9	Lamell Clutchdisc
13	2 16 11 168-02		1	1	1	Tryckskiva Pushplate
14	5 16 15 285-01		5	5	5	Kopplingsfjäder Clutch spring
15	5 16 11 169-01		5	5	5	Distans Spacer
16	5 73 44 926-01		5	5	5	Bricka Washer
17	5 72 52 378-71		5	5	5	Skruv M6x40 Screw
18	2 16 12 362-01		1	1	1	Kugghjul 2:an Gear wheel 2:nd z = 16
19	1 16 12 481-01		1	1	1	Distansring Spacer
20	3 16 12 480-01		1	1	1	Lagerhylsa Sleeve
21	2 16 12 363-01		1	1	1	Kugghjul 3:an Gear wheel 3:rd z = 19
22	10 16 12 842-01		1	1	1	Stödbricka Washer
23	3 16 12 390-01		1	1	1	Kugghjul 5-6:an Gear wheel 5-6:th z = 25-27
24	10 73 53 126-00		5	5	5	Spårring Circlip
25	10 16 11 717-01		4	4	4	Stödbricka Washer
26	3 16 12 418-01		1	1	1	Lagerhylsa Sleeve
27	2 16 11 837-01		1	1	1	Kugghjul 4:an Gear wheel 4:th z = 23
28	2 16 12 360-01		1	1	1	Huvudaxel Mainshaft z = 13
29	5 16 11 155-01		2	2	2	Bricka Washer
30	2 16 11 670-01		1	1	1	Innerring Inner race
31	2 16 11 671-01		1	1	1	Nållager Needle bearing
32	6 16 11 699-01		2	2	2	Axel Shaft
33	10 16 12 384-01		3	3	3	Växelförare Gear striker
35	72 01 268-50		6	6	6	Pinne Pin

Växellåda, koppling
Gearbox clutch 6-speed

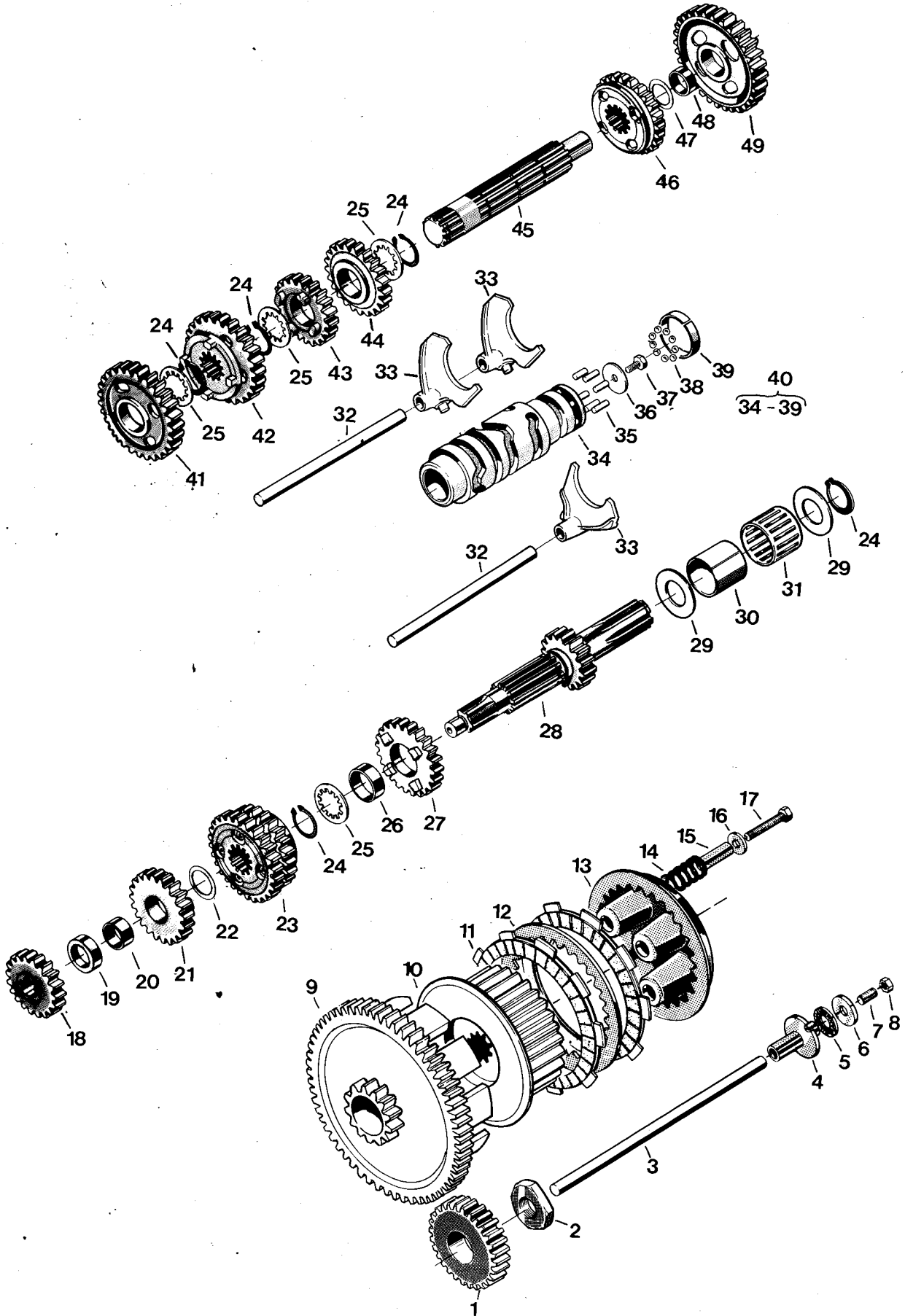


Fig.	Reservdelsnr Part Number	Antal/Quantity				Benämning/Description
		500	510	510	510	
		TC	TX	TE,EU	TE,US	
36	15 13 709-01		1	1	1	Bricka Washer
37	72 52 364-86		1	1	1	Skruv M6x10 Screw
38	73 86 120-03		11	11	11	Kula Ball
39	16 12 699-01		1	1	1	Kulbana Ball race
40	1 16 11 701-01		1	1	1	Kulissrulle kpl. Shift drum compl.
41	2 16 12 365-01		1	1	1	Kuggjul 2:an Gear wheel 2:nd z = 29
42	3 16 12 386-01		1	1	1	Kuggjul 3:an Gear wheel 3:rd z = 26
43	3 16 12 357-01		1	1	1	Kuggjul 6:an Gear wheel 6:th z = 20
44	3 16 11 715-01		1	1	1	Kuggjul 5:an Gear wheel 5:th z = 22
45	5 16 12 350-01		1	1	1	Hjälpaxel Auxiliaryshaft
46	3 16 12 388-01		1	1	1	Kuggjul 4:an Gear wheel 4:th z = 24
47	10 16 13 714-01		1	1	1	Stödbricka Washer
48	5 16 12 415-01		1	1	1	Lagerhylsa Sleeve
49	3 16 12 361-01		1	1	1	Kuggjul 1:an Gear wheel 1:th z = 34
	161 96 83-01	1	1	1	1	ambousetz Sintex kugghjul

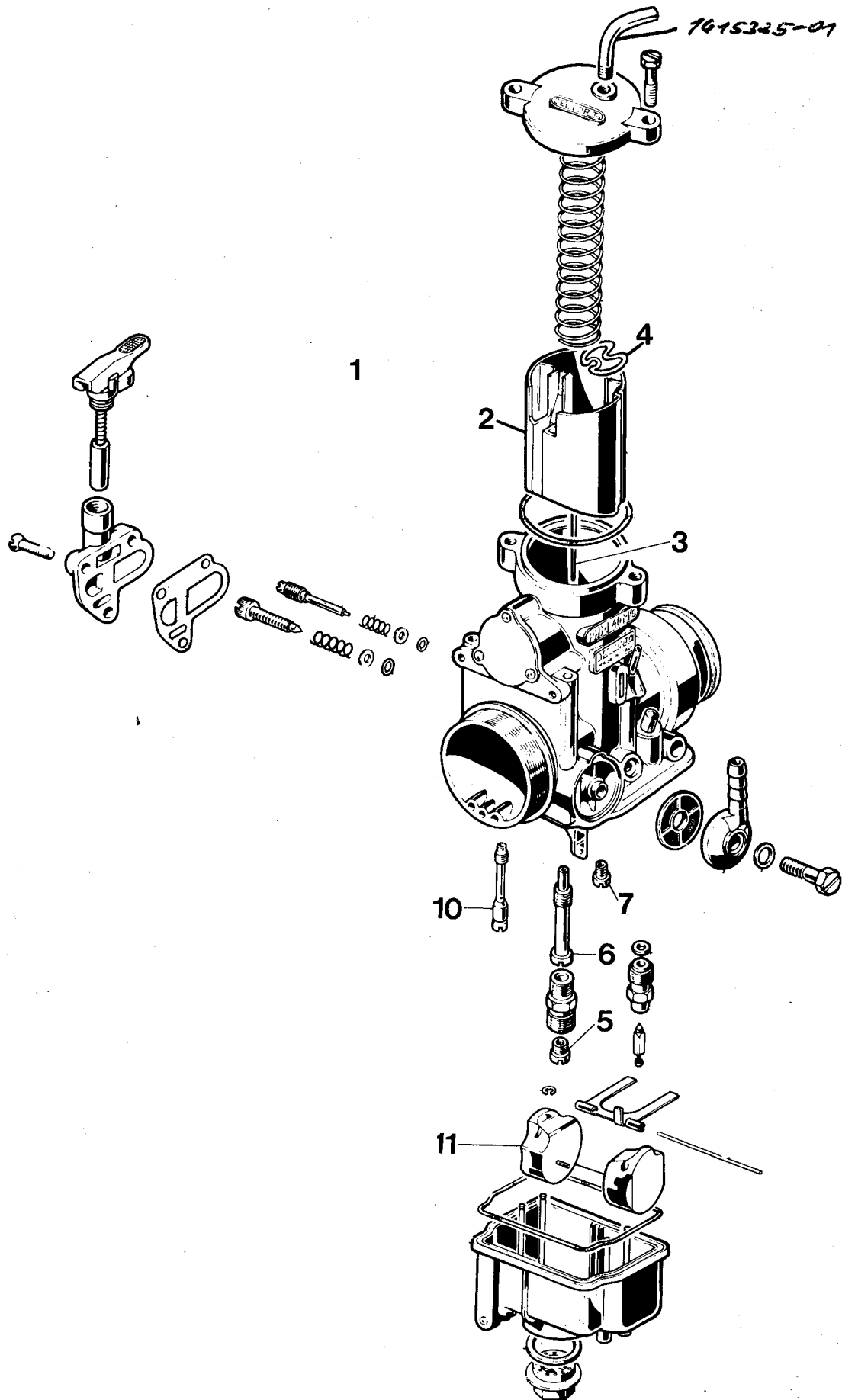


Fig.	Reservdelsnr Part Number	Antal/Quantity				Benämning/Description	
		500	510	510	510		
		TC	TX	TE,EU	TE,US		
N	1	16 15 320-01	1	1	1	1	Förgasare kpl. Carburettor
N	2	16 15 250-01	1	1	1	1	Trottel Throttle 50
	3	2 16 15 254-01	1	1	1	1	Nål Needle K32
	4	10 16 15 167-01	1	1	1	1	Nålclip Needle clip
N	5	5 16 15 211-01	1	1	1	1	Huvudmunstycke Mainjet 150
	6	3 16 15 217-01	1	1	1	1	Nålmunstycke Needle jet AB 265
N	7	3 16 15 221-01	1	1	1	1	Tomgångsmunstycke Pilot jet 52
N	10	2 16 15 316-01	1	1	1	1	Startmunstycke Start jet 60
N	11	2 16 15 322-01	2	2	2	2	Flottör 2x3.5 g Float

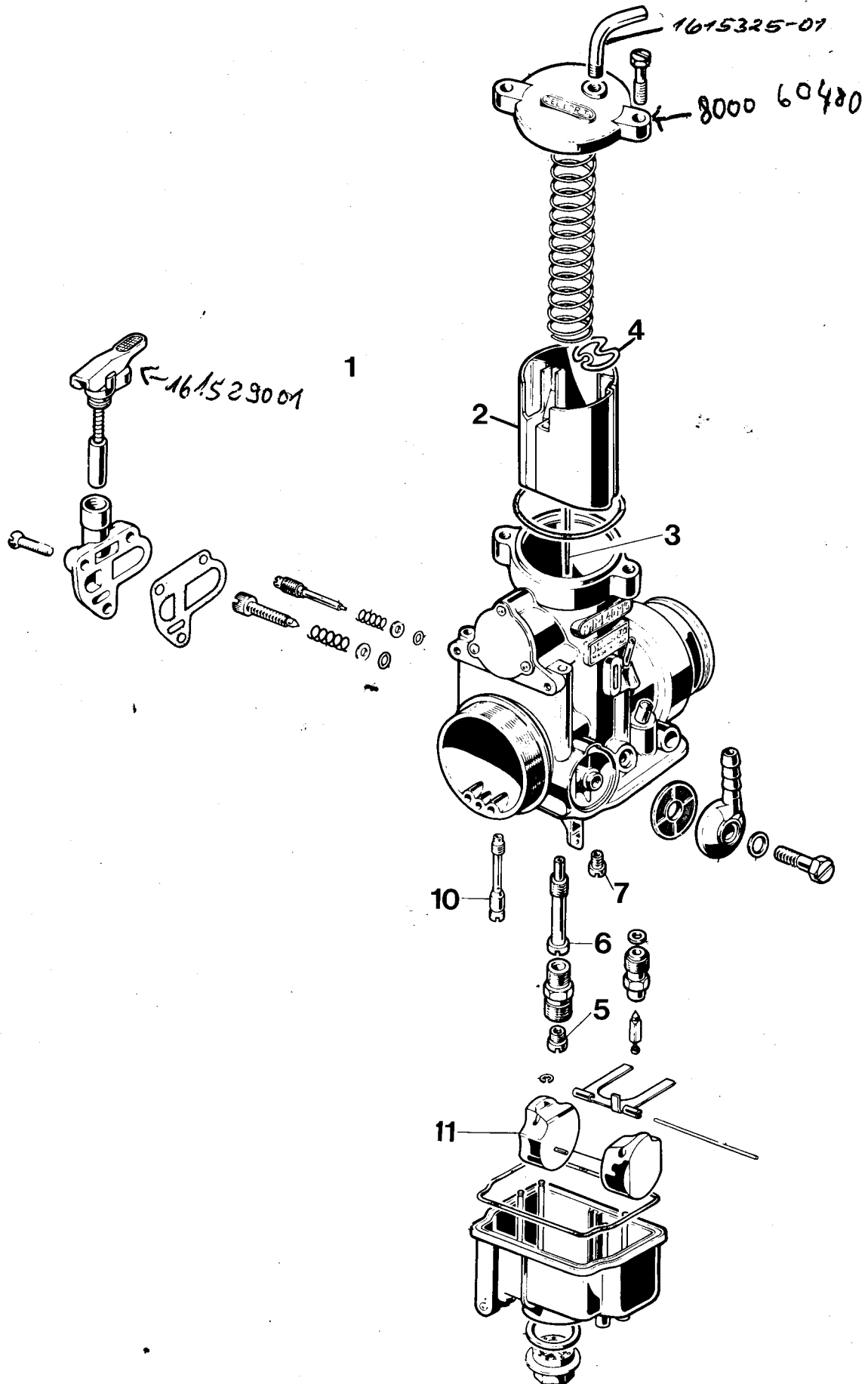


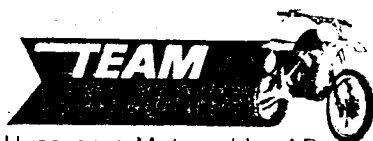
Fig.	Reservdelsnr Part Number	Antal/Quantity				Benämning/Description
		500	510	510	510	
		TC	TX	TE,EU	TE,US	
N 2	16 15 249-01					Trottel 40
2	16 15 250-01					Throttle 50 Standard
2	16 15 251-01					Trottel 60 †
3	16 15 233-01					Throttle
3	16 15 252-01					Nål K 16
3	16 15 253-01					Needle
3	16 15 254-01					Nål K 9
3	16 15 254-01					Needle
5	16 15 209-01					Nål K2
5	16 15 210-01					Needle K32 Standard
5	16 15 211-01					Huvudmunstycke 145
5	16 15 212-01					Mainjet
5	16 15 213-01					Huvudmunstycke 148
5	16 15 214-01					Mainjet 150 Standard
5	16 15 244-01					Huvudmunstycke 152
5	16 15 245-01					Mainjet
5	16 15 247					Huvudmunstycke 155
5	16 15 248-01					Mainjet
5	16 15 248-01					Huvudmunstycke 158
6	16 15 216-01					Mainjet
6	16 15 217-01					Huvudmunstycke 160
6	16 15 218-01					Mainjet
7	16 15 219-01					Huvudmunstycke 165
7	16 15 220-01					Mainjet
7	16 15 221-01					Huvudmunstycke 175
7	16 15 222-01					Mainjet
7	16 15 223-01					Huvudmunstycke 180
10	16 15 291-01					Mainjet
10	16 15 228-01					Nålmunstycke 262
10	16 15 292-01					Needle jet 265 Standard
10	16 15 293-01					Nålmunstycke 268
10	16 15 295-01					Needle jet
N 10	16 15 327-01					Tomgångsmunstycke 48
N 10	16 15 328-01					Pilot jet
N 10	16 15 329-01					Tomgångsmunstycke 50
N 10	16 15 316-01					Pilot jet 52 Standard
N 11	16 15 323-01					Tomgångsmunstycke 55
12	15 15 336-01					Pilot jet 60 Standard
13	16 15 325-01					Startmunstycke 65
14	16 15 390-01					Start jet
						Startmunstycke 70
						Start jet
						Startmunstycke 75
						Start jet
						Startmunstycke 80
						Start jet
						Startmunstycke 45
						Start jet
						Startmunstycke 50
						Start jet
						Startmunstycke 55
						Start jet
						Startmunstycke 60 Standard
						Start jet
						Flottör 2.5 g
						Float
						Seil Gas
						Seil bogens stahl
						verguserhals (plushile)

På grund av Cagiva-affären har reservdelskatalogen för 87 års vattenkylda 4-taktare blivit försenad. Tills den nya katalogen kommer har Ni här en lista på de vanligaste av de nya delarna på dessa modeller.

Due to the Cagiva take over, the spare parts manual for the 87 liquid cooled 4-strokes is delayed. While waiting for the manual, here is a list over most of the new parts on these bikes.

SPARE PARTS FOR 4-T LC 87 / RESERVDELAR 4-T LC 87

	16 15 354-01	Cylinder
1	16 15 399-01	Liner + piston (cpl kit) / Sats cyl.foder + kolv
2	16 15 367-01	Piston cpl Ø 91.5 / Kolv kpl
2	16 15 071-01	Piston ring Ø 91.5 / Kolvring
2	16 15 369-01	Oil ring Ø 91.5 / Oljering
6	16 15 355-01	Circlip / Låsringskolv
1	16 15 357-01	Cam chain tensioner cpl / Kamkedjespännare
10	16 15 358-01	Gasket, cam chain tensioner / Packning kamkedjespännare
1	16 15 055-02	Cam chain skid plate / Kamkedjesläpa
10	16 15 377-01	Oil filter plug / Oljefilterplugg
10	16 15 378-01	Gasket oil filter plug / Packning, oljefilterplugg
	16 19 892-01	Cyl.head + rocker arm cover / Sats topplock + vipparmskåpa
	16 19 898-01	Crankcase left / Vevhushalva vänster
	16 19 897-01	Crankcase right / Vevhushalva höger
1	16 19 899-01	Crankcase cpl / Vevhus kpl
10	16 19 901-01	Gasket set / Packningssats
1	16 15 410-01	Bushing, cam chain skid plate / Bussning kamkedjesläpa



Husqvarna Motorcyklar AB

- 10 16 15 360-01 Cylinder head gasket / Topplöckspackning
- 10 16 15 407-01 Base gasket / Cylinderfotspackning
- 16 15 361-01 Crankshaft cpl TC / Vevaxel kpl TC
- 16 15 361-02 Crankshaft cpl TE/TX / Vevaxel kpl TE/TX
- 5 16 19 896-01 Overhaul kit conn. rod / Renoveringssats vevstake
- 1 15 13 866-01 Spoiler for radiator right / Kylarspoiler höger
- 1 15 13 867-01 Spoiler for radiator left / Kylarspoiler vänster
- 1 15 13 860-01 Radiator right / Kylare höger
- 1 15 13 861-01 Radiator left / Kylare vänster
- 15 13 864-01 Radiator screen / Kylargaller vä + hö
- 15 13 865-01 Radiator splash shield / Stänkskydd kylare
- 2 15 13 873-01 Radiator hose / Kylarslang
- 2 15 13 874-01 Radiator hose / Kylarslang
- 2 15 13 879-01 Radiator hose / Kylarslang
- 2 15 13 876-01 Radiator hose / Kylarslang
- 2 15 13 877-01 Radiator hose / Kylarslang
- 2 15 13 878-01 Radiator hose / Kylarslang
- 1 15 15 930-01 Exhaust pipe right / Avgasrör höger
- 1 15 15 940-01 Exhaust pipe left / Avgasrör vänster
- 2 15 15 914-01 Silencer TC / Ljuddämpare TC
- 15 15 915-01 Silencer TX / Ljuddämpare TX
- 15 15 916-01 Silencer TE / Ljuddämpare TE
- 15 11 470-01 Frame / Ram
- 15 11 472-01 Rear frame TC/TX / Bakbrygga TC/TX
- 15 11 472-02 Rear frame TE / Bakbrygga TE

Front fork, see Service Bulletin 2-080
Framgaffel, se Servicemeddelande 2-080



RENN-KIT / VORDERGABEL 86

Wir haben jetzt zwei neue Renn-Kits für die Vordergabel, einen für CR und einen für WR. Durch diese Kits wird die Funktion der Vordergabel verbessert.

RACING KIT FRONT FORK 86

We have now available as spare parts two racing kits for the front fork, one for CR/XC and one for WR. These kits will improve the function of the front forks.

These kits contain following pieces:
Diese Kits bestehen aus folgenden Teilen:

15 17 539-01 CR - XC:

2 pcs	15 12 443-01	Damping spindel
- " -	15 12 444-01	Bottom plug
- " -	15 12 445-01	Valve spring
- " -	15 12 373-01	Plastic washer
- " -	15 12 449-01	Valve
- " -	15 12 446-01	Rebound spring
- " -	15 12 451-01	Valve support
- " -	15 12 450-01	Valve cage
- " -	15 12 452-01	Valve
- " -	15 12 458-01	Spacer
- " -	15 12 453-02	Spring
- " -	15 12 447-01	Dampening cone

Preis: DM 173,30 + 14% MWSt.

15 17 539-02 WR:

2 pcs	15 12 443-01	Damping spindel
- " -	15 12 444-01	Bottom plug
- " -	15 12 445-01	Valve spring
- " -	15 12 373-01	Plastic washer
- " -	15 12 449-01	Valve
- " -	15 12 446-02	Rebound spring
- " -	15 12 451-01	Valve support
- " -	15 12 450-01	Valve cage
- " -	15 12 452-01	Valve
- " -	15 12 453-01	Spring
- " -	15 12 447-01	Dampening cone

Preis: DM 167,40 + 14% MWSt.

RESERVDELAR
SPARE PARTS
430 AE 86



Husqvarna

Reservdelar till 430 Auto

Här följer en lista på de delar som är nya på 430 Auto. Övriga delar är samma som 400 WR-B 85, eller finns på bifogade katalogblad.

Spare parts for 430 Auto.

These spare parts are new on 430 Auto. The remaining spare parts are same as on 400 WR-B 85 or are mentioned on the spare part sheets enclosed.

Detaljnummer	Benämning	Description
15 15 822-01	Sidopanel H-Sid	Sidepanel right side
15 15 823-01	Luftfilterlock	Air filter cover
72 52 368-51	Skruv M6x16 filterlock	Screw M6x16 (air box cover)
72 52 372-51	Skruv M6x25 filterlock	Screw M6x25 (air box cover)
15 13 745-01	Snabbmutter, filterlock	Nut for screw holding filter cover
15 17 523-01	Vinkelväxel, hastighetsmätarwire	Speedometer Drive
15 16 351-01	Framaxel	Front wheel axle
15 16 352-01	Distans, Framaxel	Spacer (front wheel axle)
15 16 355-01	Låsbricka framaxelmutter	Securing plate (front wheel axle)
15 13 935-01	Tank (EU)	Petroltank (EU)
15 13 935-02	Tank (US)	Petroltank (US)
15 15 833-01	Dekal V-sid (EU) (bensintank)	Decal Left side (EU) (petroltank)
15 15 835-01	Dekal H-sid (EU) (bensintank)	Decal Right side (EU) (petroltank)
15 15 831-01	Dekal V-sid (US) (bensintank)	Decal Left side (US) (petroltank)
15 15 830-01	Dekal H-sid (US)(bensintank)	Decal Right side (US) (petroltank)
15 16 892-04	Kedjkrans 54 T (försänkta skruvhål)	Sprocket 54 T (countersunk screw holes)
15 16 893-01	Skruv, kedjkrans	Screw (sprocket)
15 17 850-01	Dekal bakgaffel	Decal (swing arm)
15 17 853-01	Dekal luftburk	Decal (spoiler air box cover) <i>Decal spoiler</i>
15 17 845-01	Dekal Spoiler V-sid	Decal (spoiler left side)
15 17 846-01	Dekal Spoiler H-sid	Decal (spoiler right side)
15 11 443-01	Stötdämpare (kortare än WR-B)	Shockabsorber (shorter than WR B) <i>Stötdämpare</i>
15 11 325-04	Stötdämparfjäder	Spring (shockabsorber)
16 13 822-01	Förgasare, Europa, strypt	Carburettor, Europe only restricted
16 13 823-01	Förgasare, USA-modell, ostrypt	Carburettor, USA not restricted
1516 888-01		<i>Hintergrund</i>

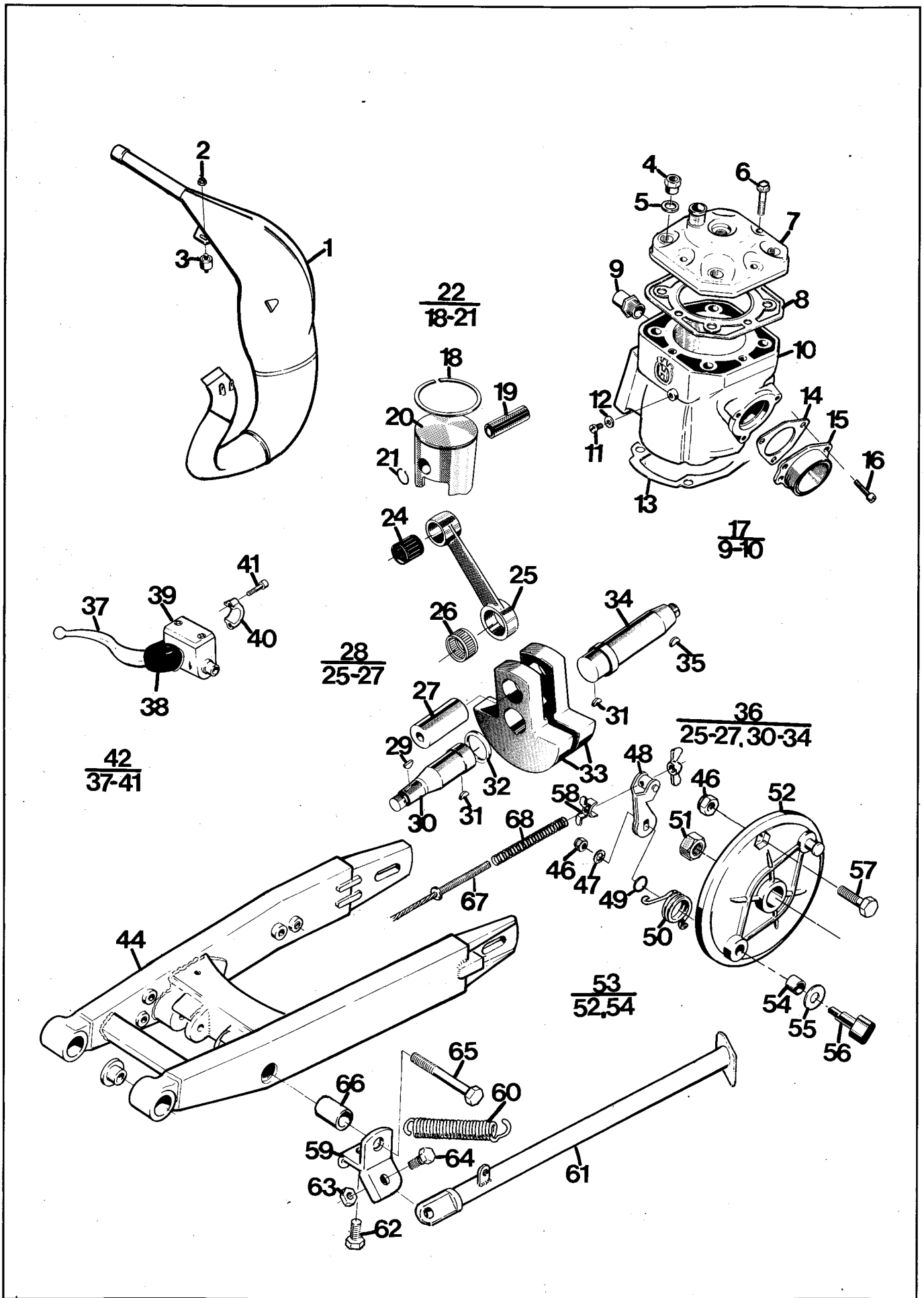


Fig.	Reservdelsnummer Sparepart number	Antal - Quantity												Benämning, Description		
		125			240		250			500			430			
		CR	WR	XC	CR	WR	CR	WR	XC	CR	WR, EU	WR, US	XC		AE	
N	1	15 13 480-01													1	Avgasrör exhaustpipe
	2	73 22 118-01													1	Mutter M 8. Nut
	3	15 14 590-01													1	Vibrationsdämpare. damper
	4	16 11 077-01													4	Mutter. Nut
	5	16 14 583-01													4	Bricka. Washer
	6	15 13 700-01													4	Skruv. Screw
N	7	16 14 483-01													1	Cylinder lock. Cylinder head
N	8	16 14 482-01													1	Packning. gasket
	9	16 14 506-01													1	Anslutning. Hose connection
	11	72 52 364-53													1	Skruv M6x10. Screw
	12	16 10 823-01													1	Bricka. Washer
	13	16 11 882-01													1	Packning. Gasket
	14	16 14 570-01													1	Packning. Gasket
	15	16 14 822-02 1614567-01													1	Avgasstos. Exhaust manifold
	16	72 55 370-01													3	Skruv N 6x20. Screw
N	17	16 14 488-01													1	Cylinder
	18	16 11 189-01													1	Kolring (cyl ø 86.00). Piston ring
		16 11 189-02														Kolring ø 86.50). Piston ring
		16 11 189-03														Kolring (cyl ø 87.00). Piston ring
	21	16 11 738-01													1	Låsring, Circlip
N	22	16 14 471 01													1	Kolv kpl (cyl. ø 86.00). Piston compl.
N		16 14 471-02														Kolv kpl (cyl ø 86.50). Piston compl
N		16 14 471-03														Kolv kpl (cyl ø 87.00). Piston compl
	24	16 11 838-01													1	Nållager. Needle bearing
	28	16 10 642-01													1	Renov sats vevstake. Overhaulkit connrod
	29	15 13 713-01													1	Kil. Key
	30	16 11 659-01													1	Vevaxel höger. Crank shaft right
	31	73 58 016-00													2	Kil. Key
	32	16 10 921-01													1	Distansring
N	34	16 11 091-01													1	Vevaxel vänster. Crankshaft left
	35	16 11 078-01													1	Kil. Kkey
N	36	16 11 876-01													1	Vevparti kpl. Crankshaft compl
	37	15 16 346-01													1	Bromshandtag US enbart hävarm. Brake handle US (only lever)
	38	15 16 345-01													1	Bälg US Cover US
N	42	15 16 353-01													1	Huvudcylinder Europa, fäste för bromsljuskontakt. Master cylinder Europe only, attachment for brake lights switch
		15 16 343-01														Huvudcylinder US enbart Mastercylinder US only
N	44	15 11 387-01													1	Bakgaffel kpl. Swingarm compl

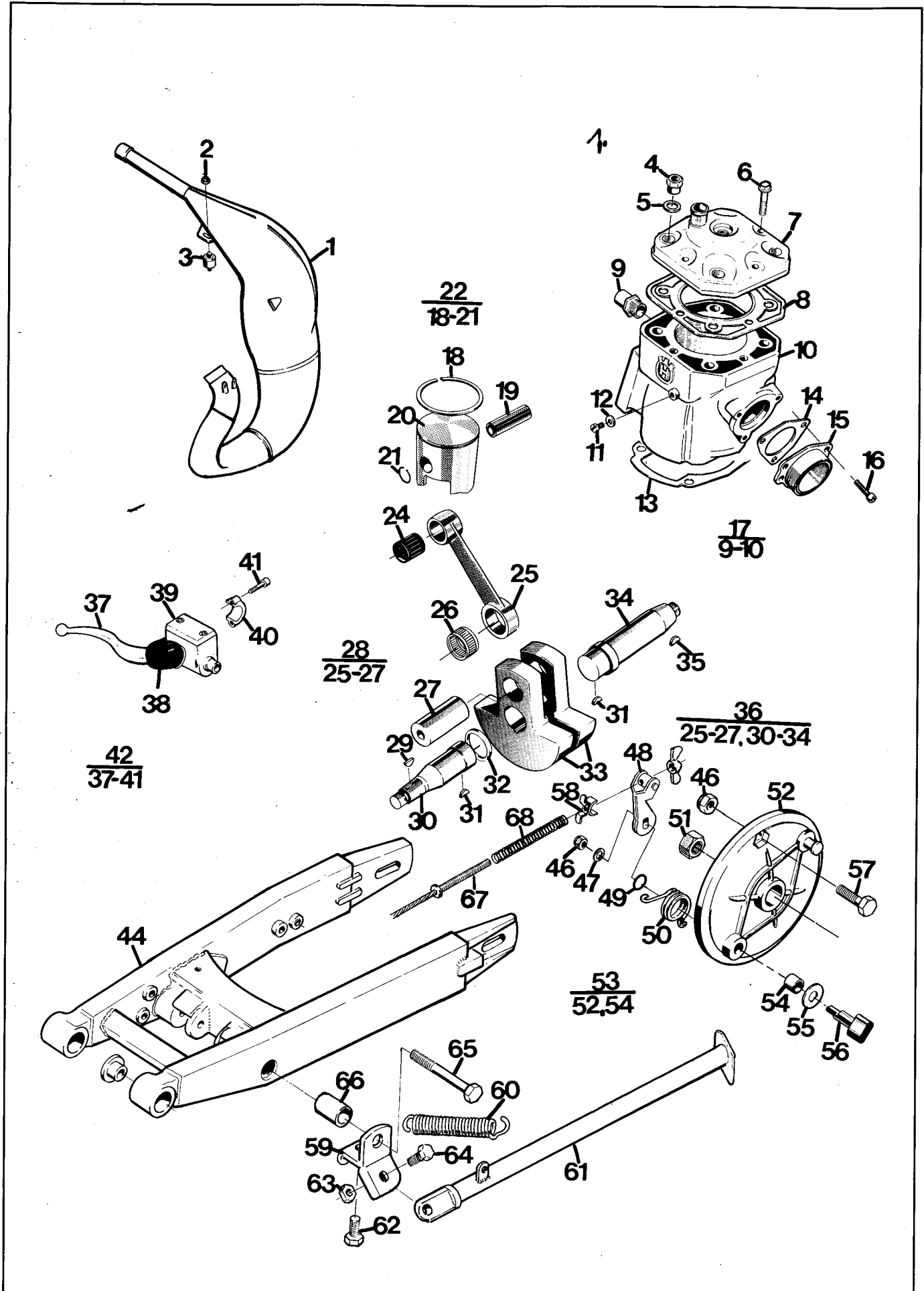


Fig.	Reservdelsnummer Sparepart number	Antal - Quantity													Benämning, Description	
		125			240		250			500				430		
		CR	WR	XC	CR	WR	CR	WR	XC	CR	WR, EU	WR, US	XC	AE		
	46	73 22 118-01													2	Låsmutter M8. Nut
	47	73 41 164-01													1	Bricka 8.4x17, Washer
N	48	15 16 723 02													1	Hävarm. Lever
	49	15 16 299-01													1	O-ring
N	50	15 15 535-01													1	Returfjäder. Spring
	51	15 16 598-01													1	Mutter. Nut
N	53	15 16 891-01													1	Bromssköld kpl. Brake plate compl
	54	15 16 837-01													1	Distans. Spacer
	55	15 16 836-01													1	Bricka. Washer
	56	15 16 886-01													1	Bromsexenter. Brake cam
	57	15 16 813-01													1	Skruv. Screw
N	58	15 16 897-01													1	Snabbkoppling bromswire. Securing plate brake cable
N	59	15 15 553-01													1	Fäste. Attachment
N	60	15 10 442-02													1	Fjäder. Spring
N	61	15 10 604-04													1	Parkeringsstöd. Parking rest
	62	72 52 451-51													1	Skruv M8x20. Screw
	63	15 13 707-01													1	Mutter M6. Nut
	64	72 52 455-51													1	Skruv M8x30. Screw
	65	72 525 09-81													1	Skruv M10x90. Screw
	66	15 15 542-01													1	Distans. Spacer
N	67	15 11 303-03													1	Bromswire. Brake cable
N	68	15 16 898-01													1	Fjäder. Spring
	69	15 13 200-01														Dämpfer WREU
		15 13 42001														Dämpfer WRUS

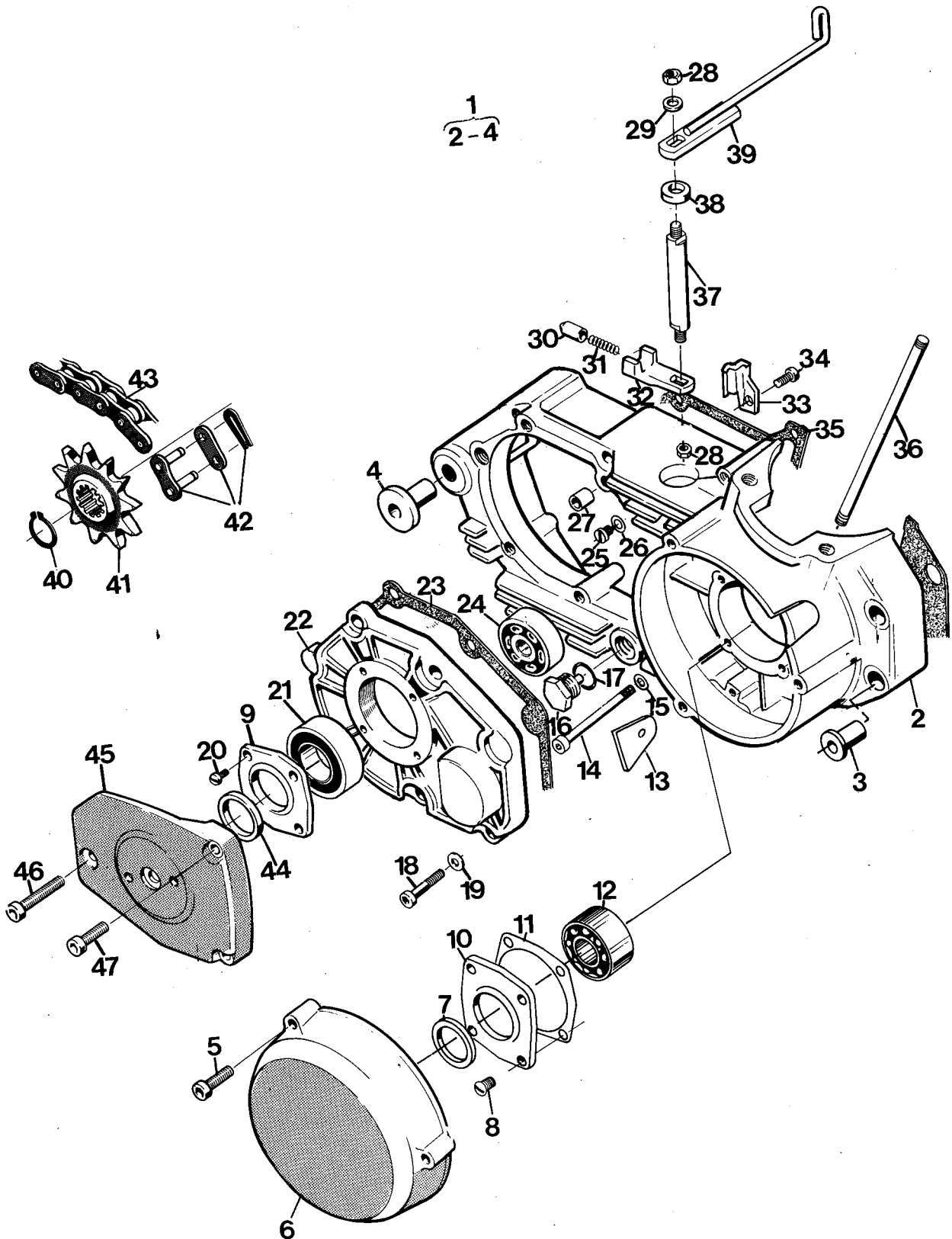


Fig.	Reservdelsnummer Sparepart number	Antal - Quantity													Benämning, Description	
		125			240		250			500				430		
		CR	WR	XC	CR	WR	CR	WR	XC	CR	WR, EU	WR, US	XC	AE		
N	1	16 19 870-01													1	Vevhushalva Crankcase half
N		16 19 872-01														Vevhus, kpl. Crankcase, compl
		16 10 777-01													2	Bussning Bushing
	4	16 14 589-01													1	Bussning Bushing
	5	72 55 378-01													3	Skruv M6x40 Screw
	6	16 11 640-01													1	Kåpa Cover
	7	15 13 725-01													1	Tätning Seal
	8	72 31 328-51													4	Skruv M5x14 Screw
	9	16 11 778-01													1	Fläns Flange
	10	16 10 810-01													1	Fläns Flange
	11	12 25 358-01													1	Packning Gasket
	12	73 83 205-40													1	Kullager Bearing
	13	16 14 728-01													1	Kabelgenomföring Grommet
	14	72 55 374-01													5	Skruv M6x30 Screw
		72 55 378-01													2	Skruv M6x40 Screw
	15	15 13 730-01													7	Bricka Washer
	16	16 12 537-01													1	Oljeplugg Drain plug
	17	12 25 025-01													1	Packning Gasket
	18	72 52 455-51													5	Skruv M8x30 Screw
		72 52 459-51													2	Skruv M8x40 Screw
	19	73 41 164-01													7	Bricka Washer
	20	72 35 328-55													4	Skruv M5x14 Screw
	21	73 82 205-28													1	Kullager Bearing
N	22	16 11 094-01													1	Lock Cover
N	23	16 17 032-01													1	Packning Gasket
	24	73 82 202-25													1	Kullager Bearing
	25	12 25 077-01													1	Skruv Screw
	26	73 41 146-01													1	Bricka Washer
N	27	16 11 196-01													2	Styrstift Peg
	28	73 22 118-01													2	Mutter M8 Nut
	30	16 12 455-01													1	Spärrhysla Ratchet sleeve
	31	12 25 414-01													1	Fjäder Spring
	32	16 11 234-01													1	Hävarm Lever
	33	16 11 229-01													1	Spärrplåt Ratchet plate
	34	72 55 368-01													1	Skruv M6x16 Screw
N	35	16 11 247-02													1	Packning Gasket
	36	16 11 710-01													4	Dragbult Stud

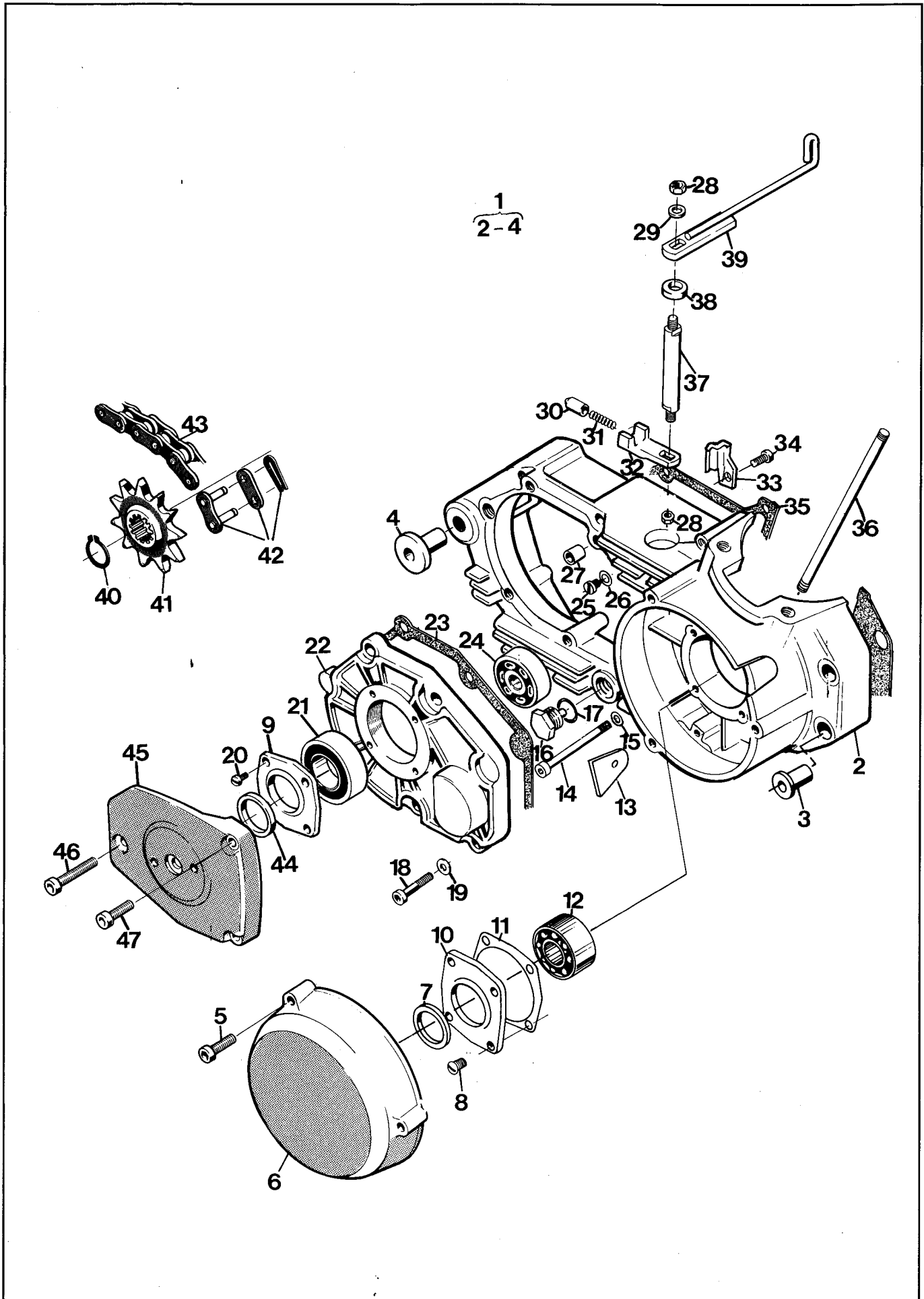
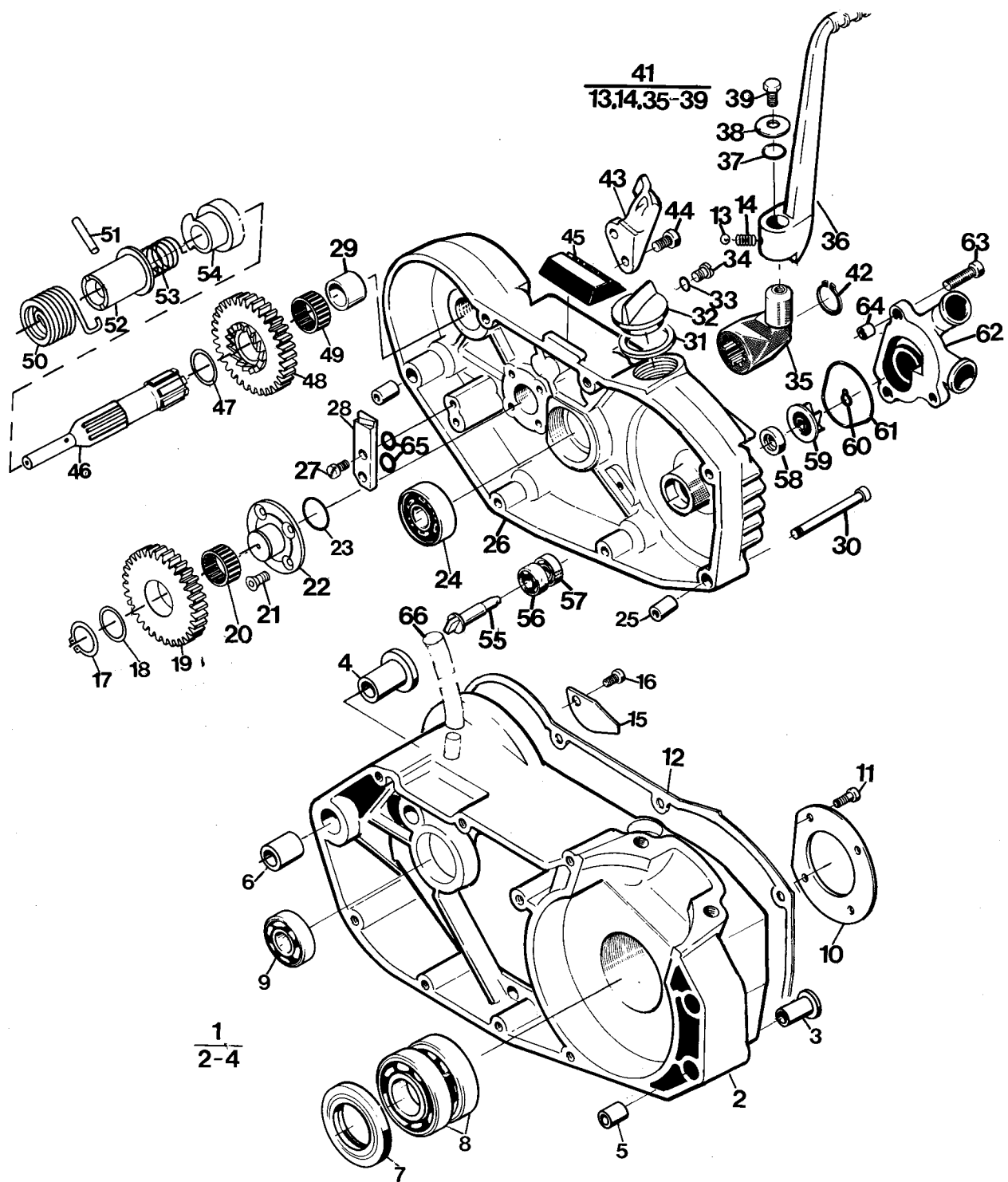


Fig.	Reservdelsnummer Sparepart number	Antal - Quantity													Benämning, Description
		125			240		250			500				430	
		CR	WR	XC	CR	WR	CR	WR	XC	CR	WR, EU	WR, US	XC	AE	
37	16 11 228-01													1	Inkopplingsaxel Engagement shaft
38	15 13 722-01													1	Tättring Seal
39	16 12 713-01													1	Hävarm Lever
40	73 53 126-00													1	Låsring Circlip
41	16 12 693-03													1	Kedjedrev z = 12 Sprocket
42	15 19 752-01 15 19 753-01													1	Kedjelås Master link
43	15 17 760-07													1	O-ringkedja 118 länk Chain
44	16 12 353-01													1	Distans Spacer
45	16 11 816-02													1	Kåpa Cover
46	72 55 379-01													1	Skruv m 6x45 Screw
47	72 55 374-01													2	Skruv m6x30 Screw
N	16 19 882-01													1	Packningssats Gasket set



$\frac{1}{2-4}$

Fig.	Reservdelsnummer Sparepart number	Antal - Quantity														Benämning, Description
		125			240		250			500				430		
		CR	WR	XC	CR	WR	CR	WR	XC	CR	WR, EU	WR, US	XC	AE		
N	1	16 19 871-01													1	Vevhushalva, vänster Crankcase half, left
	3	16 10 777-01													2	Bussning Bushing
	4	16 14 589-01													1	Bussning Bushing
	5	16 10 776-01													1	Styrhylsa Sleeve
	6	16 14 590-01													1	Styrhylsa Sleeve
	7	15 13 726-01													1	Tätning Seal
	8	73 82 205-25													2	Kullager Bearing
	9	73 82 202-28													1	Kullager Bearing
N	10	16 11 515-02													1	Stödbricka Support washer
	11	72 56 331-55													4	Skruv M5x20 Screw
N	12	16 17 018-01													1	Packning Gasket
	13	73 86 120-03													1	Kula Ball
	14	16 11 084-01													1	Fjäder Spring
	15	16 11 249-01													1	Täckplåt Plate
	16	72 31 364-04-01													1	Skruv M6x10 Screw
	17	73 53 122-00													1	Låsring Circlip
	18	16 12 842-01													1	Bricka Washer
	19	16 12 782-01													1	Mellanhjul Idle gear
	20	16 12 520-01													1	Nållager Needle bearing
	21	72 56 366-55													4	Skruv Screw
	22	16 12 702-01													1	Axel Shaft
	23	74 04 215-00													1	O-ring
	24	73 82 202-28													1	Kullager Bearing
	25	16 11 708-01													2	Styrstift Peg
N	26	16 19 873-01													1	Tranmissionskåpa Cover
	27	72 52 370-51													2	Skruv Screw
N	28	16 11 248-02													1	Stoppklack Pawl
	29	16 12 530-01													1	Bussning Bushing
	30	72 55 376-01													8	Skruv M6x35 Screw
	31	50 12 782-01													1	Packning Gasket
	32	16 10 786-02													1	Lock Cap
	33	16 10 823-01													1	Packning Gasket
	34	72 31 364-01													1	Skruv M6x10 Screw
	35	16 11 672-02													1	Axeldel, kick Kickstarter, lower
	36	16 11 083-01													1	Kickpedal Kickstarter pedal
	37	74 04 313-10													1	O-ring

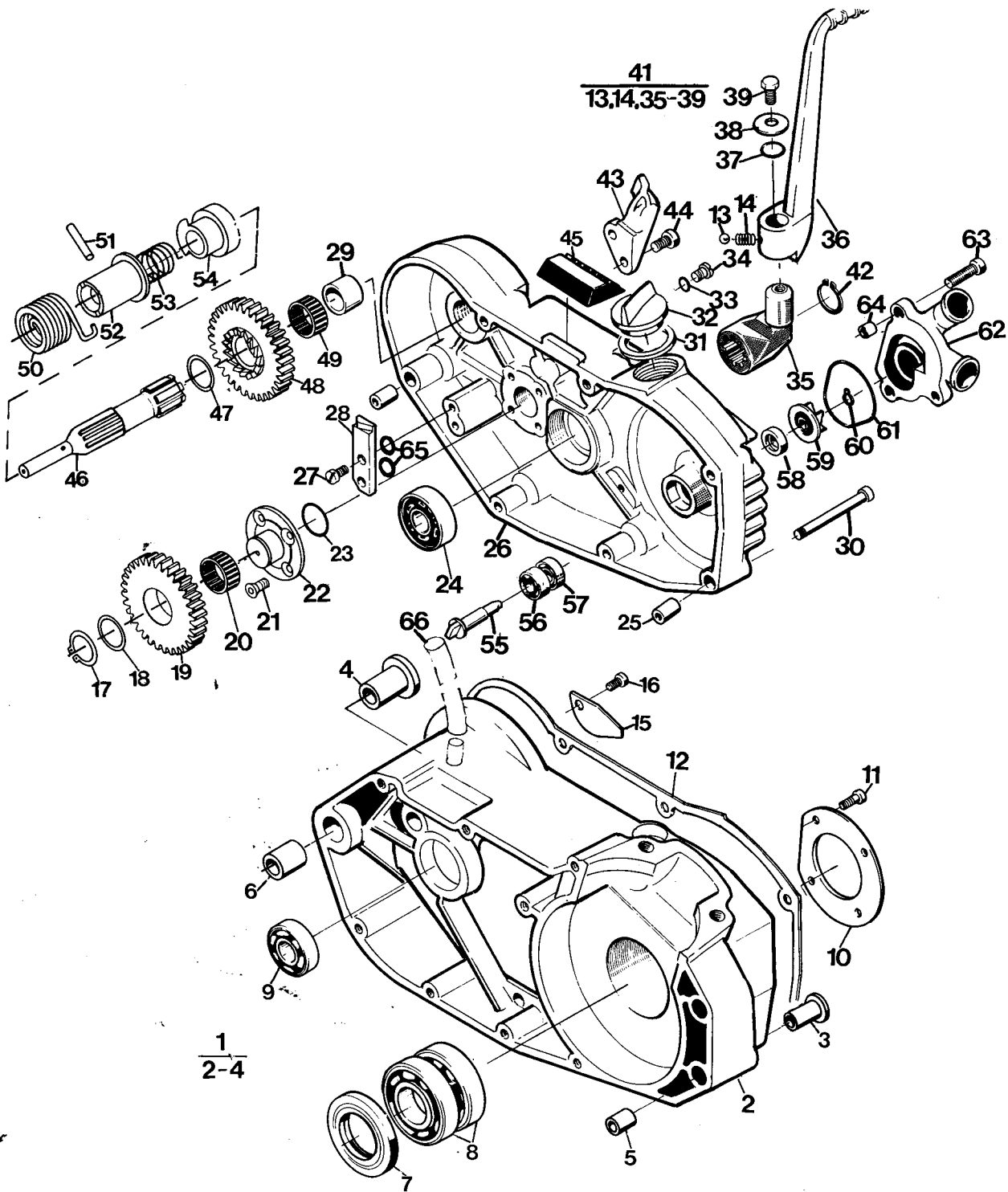


Fig.	Reservdelnummer Sparepart number	Antal - Quantity													Benämning, Description	
		125			240		250			500				430		
		CR	WR	XC	CR	WR	CR	WR	XC	CR	WR, EU	WR, US	XC	AE		
	38	16 11 298-01													1	Bricka Washer
	39	72 55 368-01													1	Skruv M6x16 Screw
	41	16 11 086-01													1	Kick, kpl. Kickstarter, compl.
	42	73 53 120-00													1	Låsring Circlip
N	43	16 11 099-01													1	Kickstopp Kick stop
	44	72 55 368.01													2	Skruv M6x16 Screw
	45	16 11 187-01													1	Hävarmstöd Lever support
N	46	16 11 095-01													1	Kickaxel Kick shaft
	47	16 12 524-01													1	Bricka Washer
	48	16 12 781-01													1	Kickdrev Kickstart gear
	49	16 12 519-01													1	Nållager Needle bearing
N	50	16 11 098-01													1	Returfjäder Return spring
	51	72 14 258-00													1	Pinne Pin
N	52	16 11 097-01													1	Distanshylsa Spacer
	53	16 12 534-01													1	Fjäder Spring
N	54	16 11 096-01													1	Medbringarghjul Engaging gear
	55	16 17 966-01													1	Pumpaxel Pump shaft
	56	73 82 198-00													1	Kullager Bearing
	57	73 82 198-04													1	Kullager Bearing
	58	16 17 958-01													1	Tätning Seal
	59	16 17 951-01													1	Pumphjul Pumpwheel
	60	73 53 108-00													1	Låsring Circlip
N	61	16 17 968-01													1	Packning Gasket
	62	16 17 967-01													1	Pumphus Pumphousing
	63	72 55 371-01													3	Skruv M6x22 Screw
	64	16 17 955-01													2	Styrstift Peg
N	65	16 17 033-01													2	Distans Spacer
	66	15 13 920-02													1	Slang Hose

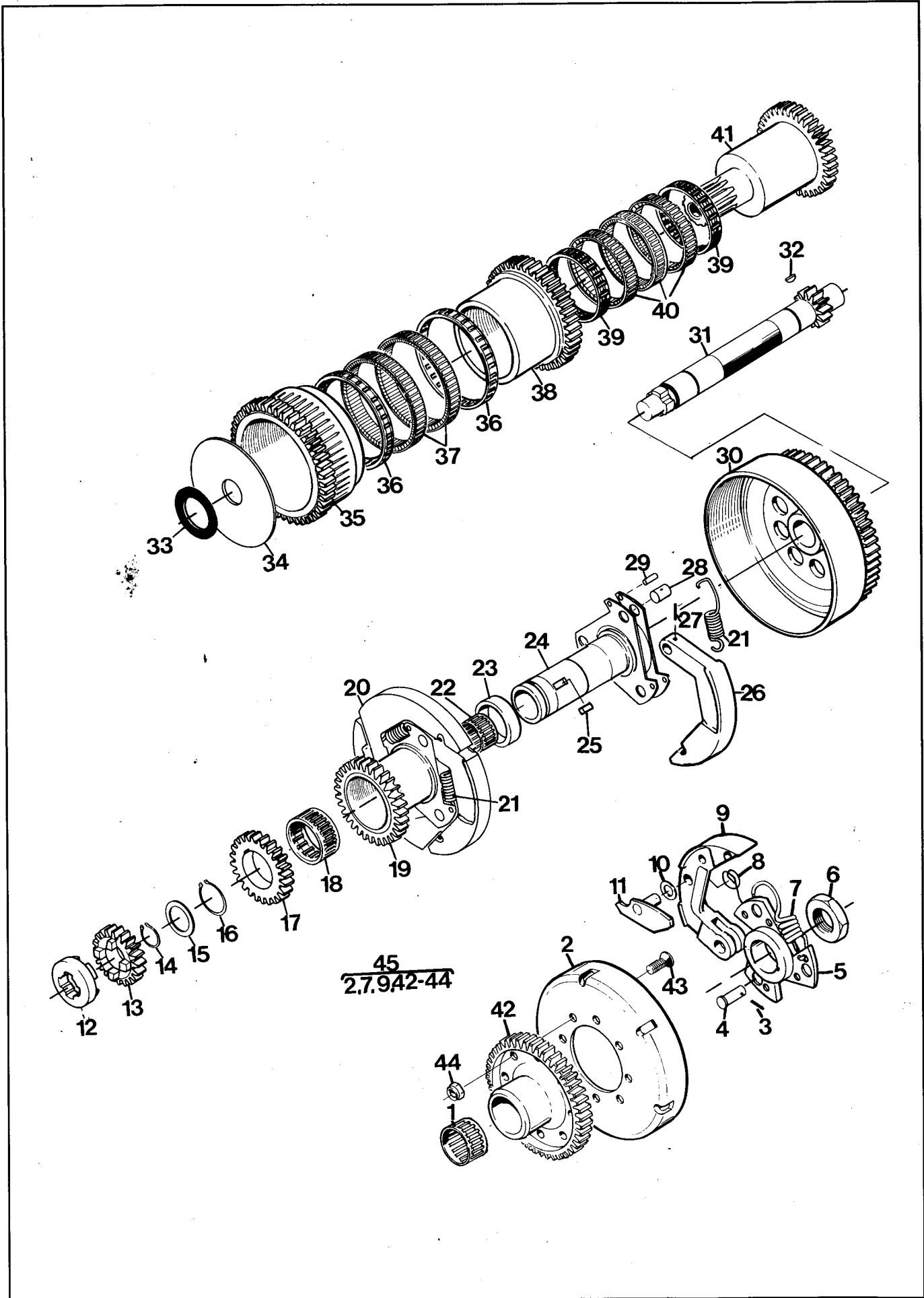


Fig.	Reservdelsnummer Sparepart number	Antal - Quantity													Benämning, Description
		125			240		250			500				430	
		CR	WR	XC	CR	WR	CR	WR	XC	CR	WR, EU	WR, US	XC	AE	
N 1	16 11 256-01													1	Nållager Needle bearing
N 2	16 17 015-01													1	Kopplingstrumma Clutch drum
N 3	72 14 187-26													3	Stift Pin
N 4	16 12 695-01													3	Tapp Peg
N 5	16 17 034-01													1	Kopplingsnav Clutch hub
N 6	16 12 712-01													1	Mutter Nut
N 7	16 17 027-01													3	Fjäder Spring
N 8	16 17 005-01 16 11 227-01													3	Spärrfjäder Spring
N 9	16 11 241-01													3	Kopplingsback Clutch shoe
N 10	15 13 736-01													3	Bricka Washer
N 11	16 11 239-01													3	Spärr Pawl
N 12	16 12 703-01													1	Medbringarskiva Drive wheel
N 13	16 12 796-01													1	Drev 1:a Gear 1:st
N 14	73 53 122-00													1	Låsring Circlip
N 15	16 12 842-01													1	Bricka Washer
N 16	73 53 130-00													1	Låsring Circlip
N 17	16 12 573-01													1	Drev 2:an Gear 2nd
N 18	16 11 263-01													2	Nållager Needle bearing
N 19	16 17 020-01 16 17 030-01													1	Axel 3:an Shaft 3rd
N 20	16 11 238-02													3	Kopplingsback Clutch shoe
N 21	16 17 026-01													6	Fjäder (170 N) Spring
N 22	16 11 262-01													2	Nållager Needle bearing
N 23	16 11 254-01													1	Distans Spacer
N 24	16 17 023-01 16 17 024-01													1	Axel 2:an Shaft 2nd
N 25	16 12 572-01													1	Kil Key
N 26	16 11 238-02													3	Kopplingsback Clutch shoe
N 27	72 14 187-26													3	Pinne Pin
N 28	16 12 555-01													3	Tapp Peg
N 29	72 14 305-26													3	Pinne Pin
N 30	16 12 757-01													1	Kopplingstrumma Clutch drum
N 31	16 17 021-01													1	Axel Shaft
N 32	16 11 078-01													1	Kil Key
N 33	16 12 525-01													1	Bricka Washer
N 34	16 12 527-02													1	Bricka Washer
N 35	16 12 768-01													1	Kuggghjul 1:an Gear 1st
N 36	16 12 751-01													2	Lager Bearing

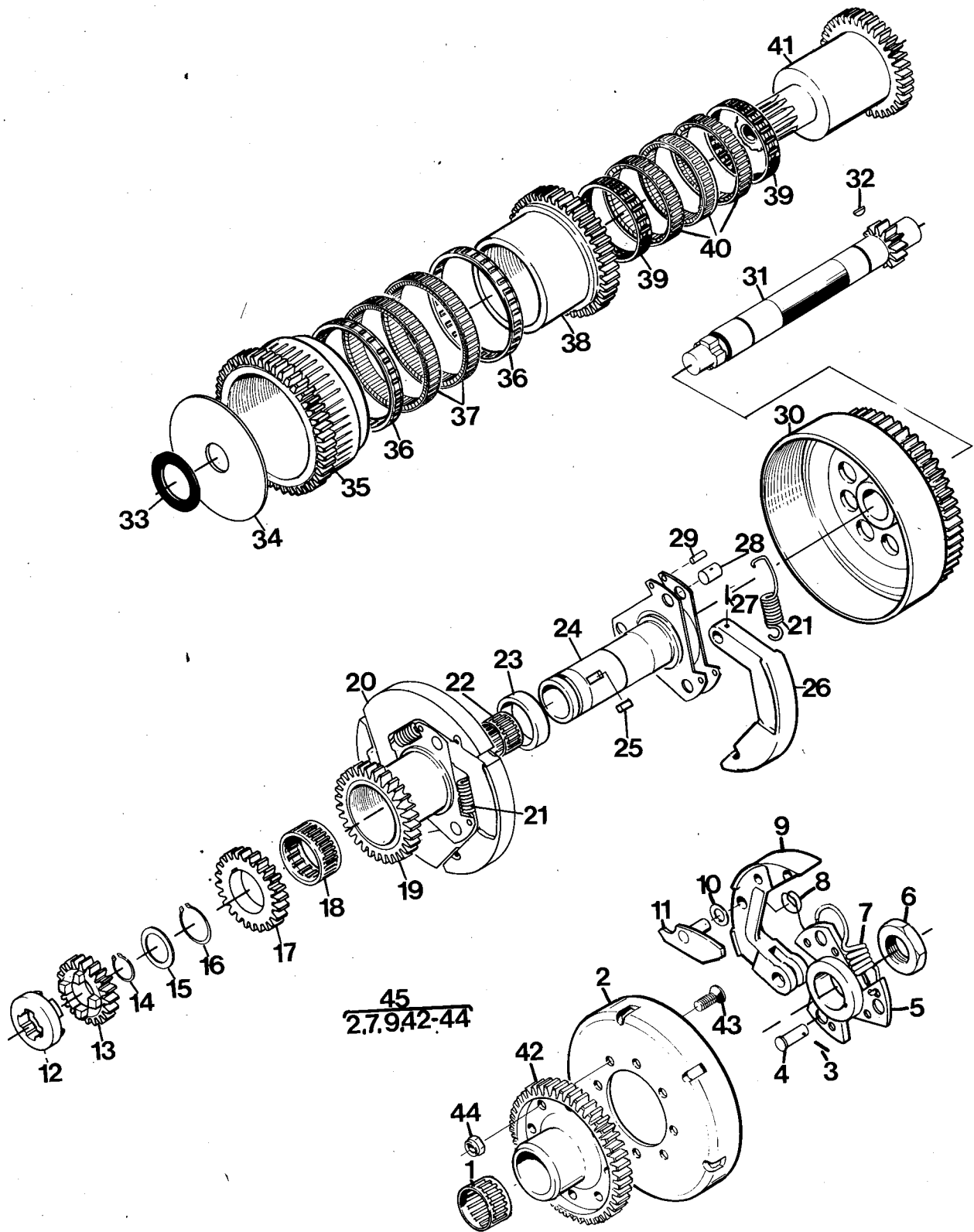


Fig.	Reservdelsnummer Sparepart number	Antal - Quantity												Benämning, Description	
		125			240		250			500			430		
		CR	WR	XC	CR	WR	CR	WR	XC	CR	WR, EU	WR, US	XC		AE
37	16 11 265-01													2	Frihjul Free wheel
38	16 12 767-01													1	Kugghjul 2:am Gear 2nd
39	16 12 738-01													2	Nållager Needle bearing
40	16 11 264-01													3	Frihjul Free wheel
41	16 12 764-01													1	Utgående axel Output shaft
42	16 12 761-02													1	Kugghjul
43	72 56 368-55													8	Skruv M6x16 10.9 Screw
44	73 22 116-51													8	Mutter M6 Nut
45	16 19 858-00 16 19 858-04														Renoveringssats, vevaxelkoppling Overhaulkit clutch