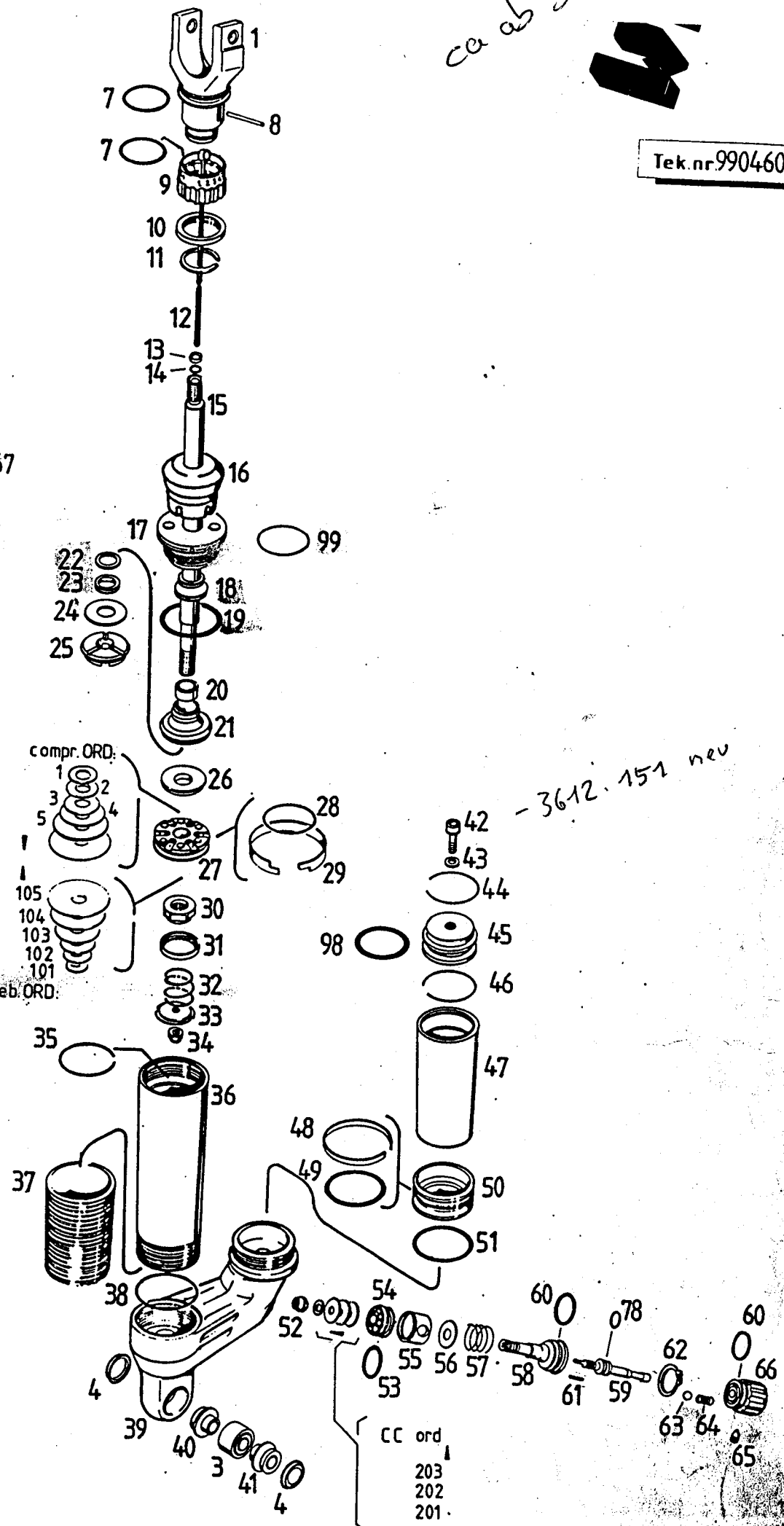
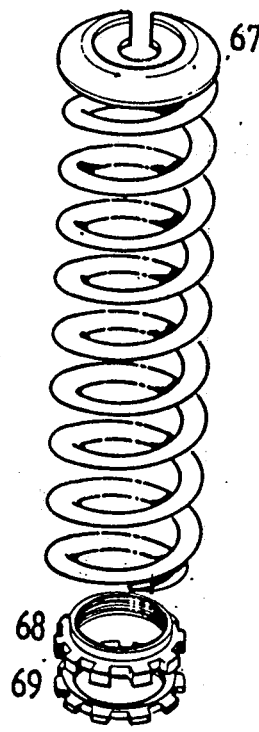


WHITE **P**OWER
SUPER ADJUSTER

4681

ca ab 81

Tek.nr.99046016



compr. ORD:

reb. ORD:

-3612.151 neu

CC ord
 203
 202
 201

TECHNICAL IMPROVEMENTS ON THE ~~LOS~~ WHITE POWER PRODUCTS.

1991, 4681 TYPE SHOCKS
=====

DRAWING; 99046016
=====

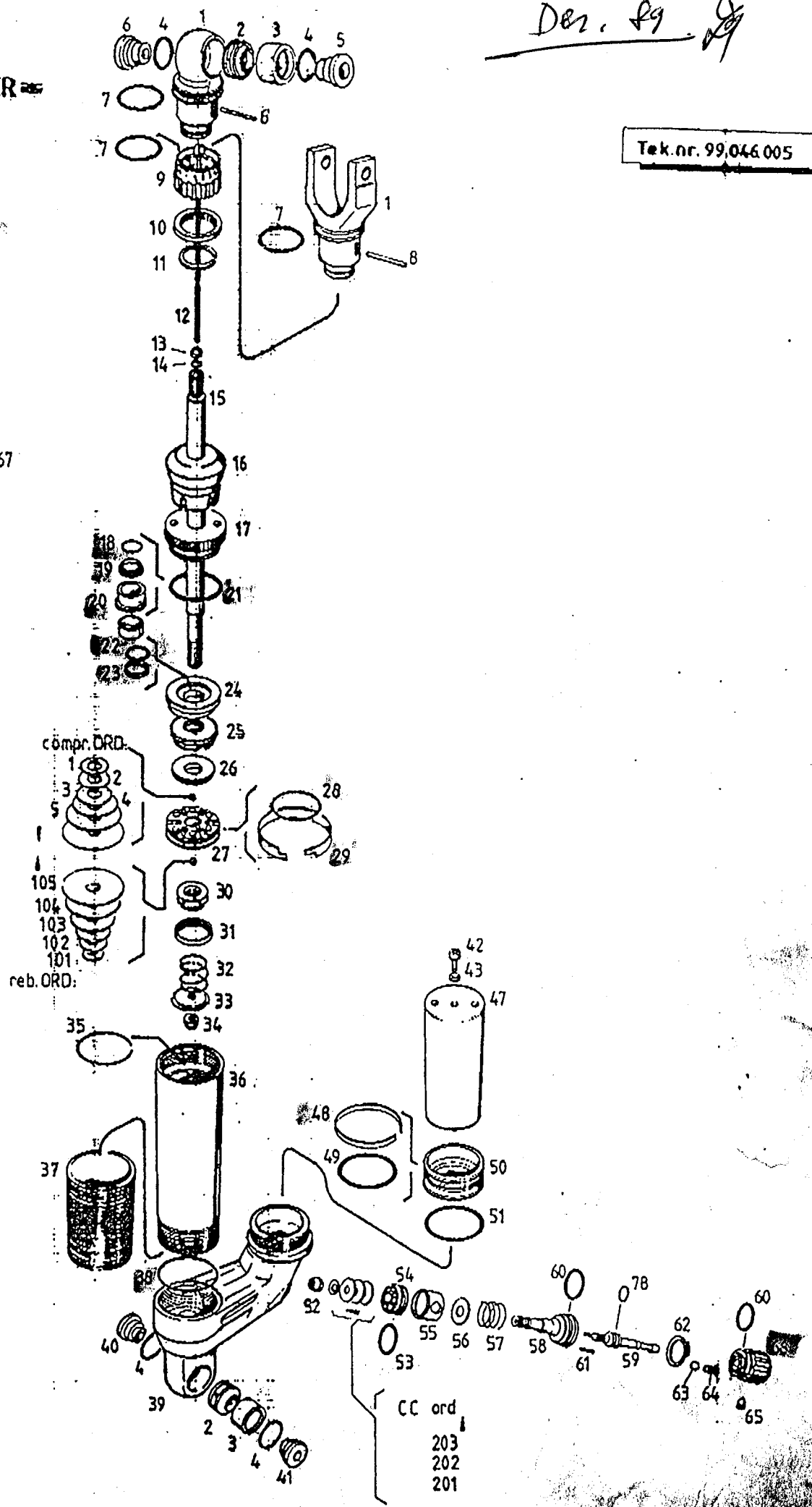
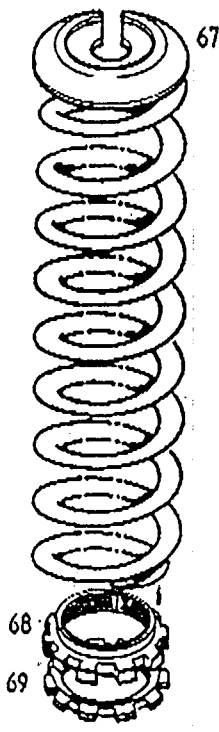
POS	DESCRIPTION	SPARE PART
17	Screw - cap M 47,4 h 22,5	4681.1045
18	Dirtscraper 1424	4681.1044
19	O-ring N.B.R. 35x5	4681.325
20	DU-Bush 14x16x12	4681.651
21	Oil seal holder	4681.1053
22	Backupring 18,65x1,5	4681.1062
23	Quad ring viton CPD 51414	4681.1061
24	Ring 14,5x35,4x1,25	4681.1046
25	Rebound rubber H9	4681.199
99	O-ring NBR 40x2	4681.1042
17/25	Screw Cap Complete	4681.1045S
21	Oil seal holder d46 H=23 cpl	4681.1053S
3	Heim joint (Teflon type)	4681.1027
3	Heim joint Ø15,1 (Teflon type)	4681.1064
4	Heim joint seal	4681.1050
49	O-ring viton 35x5	4681.1043
52/59	*CC-mech.no.8 (MX91) cpl	4681.850S3
40/41	Adaptor bush KGW Ø 8x19	4681.1065
40/41	Adaptor bush KGW Ø 8x20	4681.1066
40/41	Adaptor bush KGW Ø 8x22	4681.1067
40/41	Adaptor bush KGW Ø 8x24	4681.1068
40/41	Adaptor bush KGW Ø 8x26	4681.1069
40/41	Adaptor bush KGW Ø 8x30	4681.1070
40/41	Adaptor bush KGW Ø 8x32	4681.1071
40/41	Adaptor bush KGW Ø 8x50	4681.1072
40/41	Adaptor bush KGW Ø9,5x19	4681.1073
40/41	Adaptor bush KGW Ø 10x18	4681.1074
40/41	Adaptor bush KGW Ø 10x19	4681.1075
40/41	Adaptor bush KGW Ø 10x20	4681.1076
40/41	Adaptor bush KGW Ø 10x22	4681.1077
40/41	Adaptor bush KGW Ø 10x24	4681.1078
40/41	Adaptor bush KGW Ø 10x26	4681.1079
40/41	Adaptor bush KGW Ø 10x28	4681.1081
40/41	Adaptor bush KGW Ø 10x30	4681.1082
40/41	Adaptor bush KGW Ø 10x32	4681.1083
40/41	Adaptor bush KGW Ø 10x34	4681.1084
40/41	Adaptor bush KGW Ø 10x36	4681.1085
40/41	Adaptor bush KGW Ø 10x38	4681.1086
40/41	Adaptor bush KGW Ø 10x40	4681.1087
40/41	Adaptor bush KGW Ø 10x42	4681.1088
40/41	Adaptor bush KGW Ø 10x44	4681.1089
40/41	Adaptor bush KGW Ø 10x46	4681.1090
40/41	Adaptor bush KGW Ø 10x48	4681.1091
40/41	Adaptor bush KGW Ø 10x50	4681.1092

* : shim setting = 8,5x0,2/12x0,15/12x0,2/14x0,15

WHITE **P**OWER
SUPER ADJUSTER
4681

Des. 89

Tek.nr. 99,046 005



CC ord
 203
 202
 201

Det. 89

PART NUMBER	DESCRIPTION	QUANT.	POS. NUMBER
4681.289.	Mount. eye L= 60 W=18 10 C.B.	1	1
4681.001.	Heim joint GE1500 C-spec.	2	2
4681.403.	Heim joint housing W=13,5	2	3
4681.003.	O-ring N.B.R. 17 x3	4	4
4681.053.	Adaptor Bush 10x22	1	5
4681.053.	Adaptor Bush 10x22	1	6
4681.225.	O-ring N.B.R. 30 x2	2	7
4681.226.	Pin d=3x35	1	8
4681.233.	Adjustingknob L=30	1	9
4681.229.	Intermediate ring H=6	1	10
4681.234.	Lockwasher SW25	1	11
4681.479.	Adjustment rod L=242 (Lc=173)	1	12
4681.224.	O-ring cover for Piston rod	1	13
4681.223.	O-ring Viton 3,7 x1,6	1	14
4681.478.	Piston rod d14 SA- Lc=173	1	15
4681.365.	Bumprubber W.P.55	1	16
4681.024S	Screwcover cpl.	1	17
4681.008.	O-ring N.B.R. 38 x4	1	21
4681.012.	O-ring N.B.R. 17,12x2,62	1	22
4681.009.	Oilseal d=14 mm	1	23
4681.041.	Oilsealretainer for reb.rubber	1	24
4681.199.	Reboundrubber H=9	1	25
4681.475.	Rebound bush plane	1	26
4681.560.	Piston 6+6d7 reb.bleed	1	27
4681.035.	O-ring Viton 37,82 x1,78	1	28
4681.361.	Piston ring 8x1x141	1	29
4681.474.	Piston rod nut plane	1	30
4681.473.	Reboundspringretain D32,5	1	31
4681.227.	Rebound Adjustment Spring d3,0	1	32
4681.221.	Rebound Adjustment disc.	1	33
4681.222.	Nut M 4 self-locking	1	34
4681.010.	Circlip 49x1,5	1	35
4681.428.	Tube L=215	1	36
4681.391.	Threaded bush L=90	1	37
4681.016.	O-ring N.B.R. 48 x2	1	38
4681.185.	Bottom PGB 90 deg H=40 W=18	1	39
4681.056.	Adaptor Bush 10x24	1	40
4681.056.	Adaptor Bush 10x24	1	41
4681.892.	Nitrogenplug M5x9	1	42
4681.893.	O-ring N.B.R. 5,28x1,78	1	43
4681.323.	Circlip 49x1,75	1	44
4681.320.	Reserv.cap d46-M5 plane	1	45
4681.010.	Circlip 49x1,5	1	46
4681.1013.	Reservoir open L=125	1	47
4681.324.	Piston ring 3,9x1,5x138	1	48
4681.325.	O-ring N.B.R. 35 x5	2	49
4681.322.	Separationpiston d46	1	50
4681.340.	O-ring N.B.R. 45 x2	1	51
4681.850S1	CC Mechanisme Nr6 cpl	1	58
4681.334.	Lockwasher JV24	1	62
4681.333.	Ball-Steel-d4,75	1	63
4681.327S	Adjustingknob CC-mech. cpl.	1	66
4681.063.	Springret. Open H=13	1	67
4681.108.	Springret. Adjust	1	68

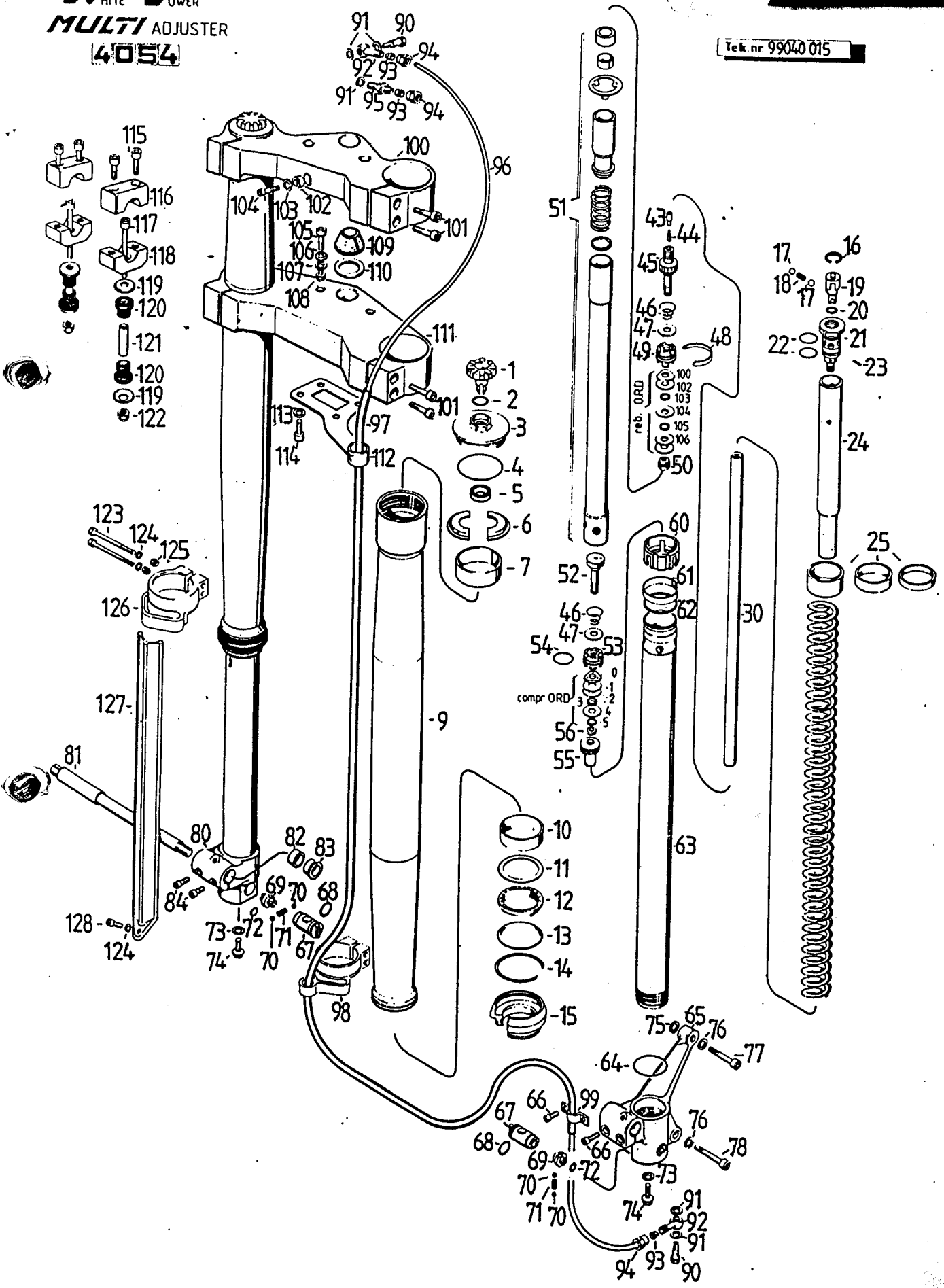
Partslist

1.15.K1.11

d.d. 24-10-1989

PART NUMBER	DESCRIPTION	QUANT.	POS. NUMBER
4681.109.	Springret. Lock	1	69
4681.1004.	Spacer 35x14x 5	1	103
4681.1003.	Spacer 35x14x 3	1	103

Tek. nr 99040 015



ONDERDEELKODE	OMSCHRIJVING	AANTAL	POS.NR.
4054.429.	Stelknop Reb.	2	1
4054.438.	O-ring 12x3 Neoprene	2	2
4054.469.	Schroefdeksel M49x1,5 MA	2	3
4054.026.	O-ring N.B.R. 43x3	2	4
4054.492.	Rubber ring 14,1x22x4	2	5
4054.470.	Halve veerschotel	4	6
4054.471.	Bus 047x21	2	7
4054.458.	Buitenpoot MA L=606 Naturel	2	9
4054.030.V	DU-bus 40x44x20	2	10
4054.031.	Steunring 42x49,2x1,5	2	11
4054.032.	Afdichting 40x49,5x7/9,5	2	12
4054.033.	Opvulring 45x49,5x1	2	13
4054.034.	Borgring BR50	2	14
4054.035.	Stofkap 040	2	15
4054.443.	Borgring Stelschroef Reb. SB14	2	16
4054.440.	Kogel 05 Reb.	4	17
4054.441.	Veer Stelschroef Reb.	2	18
4054.428.	Stelschroef Reb.	2	19
4054.435.	O-ring N.B.R. 6x2	2	20
4054.430.	Stelschroefhouder Reb.	2	21
4054.439.	O-ring N.B.R. 16x1,25	4	22
4054.444.	Spanstift 02x4	2	23
4054.489.	Stop	2	24
4054.359.	Voorspanningsbus H= 2,5 *	2	25
4054.040.	Voorspanningsbus H= 5 *	2	25
4054.041.	Voorspanningsbus H=10 *	2	25
4054.467.	Spindel 012 L=551	2	30
4054.488.	Huls	2	31
4054.487.	Bumprubber	2	32
4054.474.	Tussenring	2	33
4054.434.	DU-bus 012x014x8	2	34
4054.456.	Schroefdeksel M25x1	2	35
4054.481.	Ring 017x024x0,5	2	40
4054.479.	Terugslagveer	2	41
4054.482.	Spacer H= 8	2	42
4054.484.	Busje v. Reb. Tap	2	43
4054.485.	Klep 04x8 Reb.	2	44
4054.483.	Tap Reb.	2	45
4054.442.	Veer wisselklep	4	46
4054.477.	Shim 8x18 x0,4 v. Wisselklep	4	47
4054.455. 10	Zuigerveer 4x1x62	2	48
4054.446.	Zuiger Reb.	2	49
4054.486.	Moer Reb. M6x0,5	2	50
4054.457.	Tube 021 L=398	2	51
4054.475.	Bout Comp. M6x0,5	2	52
4054.445. 10	Zuiger Comp.	2	53
4054.437. 10	O-ring N.B.R. 15,6x1,78	2	54
4054.478.	Tap M22,3x1 Comp.	2	55
4054.468.	Borgbus	2	60
4054.433.	DU-lager 042,8x13	2	61
4054.490.	Ring 039x042x1	2	62
4054.459.	Binnenpoot MA L=625	2	63
4054.037. 10	O-ring N.B.R. 38x2	2	

Stuklijst van 6.18.J4.15

d.d. 15-07-1988

ONDERDEELKODE	OMSCHRIJVING	AANTAL	POS.NR.
9054.162	= Husky		65
4054.461.	Asopname MA v. Schijfrem KTM 88	1	65
4054.082.	Imbusbout M6x25	2	66
4054.432.	Stelschroefhouder Comp.	2	67
4054.436.	O-ring N.B.R. 12x2	4	68
4054.431.	Stelschroef Comp.	2	69
4054.296.	Kogeltje 04	4	70
4054.472.	Veer Stelschroef Comp.	2	71
3548.085.	O-ring N.B.R. 7x2	2	-72
4681.360.	Koperen ring 8x12x1,5	2	73
4054.473.	Bout M8x20 met Flens	2	74
4054.460.1117	Asopname Rechts MA	1	80
4054.020.	Imbusbout M6x16	2	84

ONDERDEELKODE	OMSCHRIJVING	AANTAL	POS.NR.
4054.064.	Bus v. Terugslagveer	2	0
4054.065.	Halve Springring	4	0
4054.067.	Ontluchtingsboutje M5x10	2	1
4054.220.	Nylon ring 5x10x1	2	2
4054.025.	Schroefdeksel M49x1,5	2	3
4054.026.	O-ring N.B.R. 43x3	2	4
4054.024.	Spie	4	5
4054.023.	Schotel Aluminium	2	6
4054.022.	Bumprubber	2	7
4054.012.	Spacer (Nylon)	2	8
4054.362.	Buitenpoot L=606 Zwart	2	9
4054.030.	DU-bus 40x44x20	2	10
4054.031.	Steurring 42x49,2x1,5	2	11
4054.032.	Afdichting 40x49,5x7/9,5	2	12
4054.033.	Opvulring 45x49,5x1	2	13
4054.034.	Borgring BR50	2	14
4054.035.	Stofkap 040	2	15
4054.013.	Seegerring AV34	2	16
4054.014.	DU-bus 40x43x12 met kraag	2	17
4054.011.	DU-bus 10x12x8	2	18
4054.229.	O-ring N.B.R. 9,6x2,4	2	19
4054.221.	Schroefdeksel M37,65x1,25	2	20
4054.222.	Wisselklep 16x30,6x0,3	2	21
4054.224.	Konische veer v. Wisselklep	2	22
4054.223.	Reboundschijf	2	23
4054.015.	Springring 38x1,5	2	24
4054.081.	Terugslagveer d=3,8	2	25
4054.086.	Imbusstelschroef-12.9-M6x12	2	26
4054.068.	Spindel L=412	2	27
4054.396.	Klephuis (Protec)	2	31
4054.019.	Seegerring J25	2	35
4054.253.	Zuiger 6x07,5 +30	2	36
4054.029.	Imbusbout M6x10	2	37
4054.230.	O-ring N.B.R. 26x1,5	2	38
4054.036.	Zuigerveer 8x1,5x107	2	39
4054.092.	Binnenpoot L=617	2	40
4054.037.	O-ring N.B.R. 38x2	2	41
4054.170.	Asopname v. Schijfrem Cagiva 87	1	42
4054.082.	Imbusbout M6x25	2	46
4054.028.	O-ring N.B.R. 34x3	2	47
4054.027.	Schroefdop M40x1,5	2	48
4054.225.	Huls v. Hydr. Stop L=115	2	49
4054.040.	Voorspanningsbus H= 5 *	2	50
4054.359.	Voorspanningsbus H= 2,5 *	2	50
4054.241.	Konische bus v. Hydr. Stop	2	51
4054.248.	Imbusbout M4x35	2	52
4054.250.	Sluitring M4	2	53
4054.245.	Drukveer d=1,5 Du=9,2 Lo=9,5	2	54
4054.244.	Wisselklep v. hydr. stop	2	55
4054.243.	Pijpje v. hydr. stop	2	56
4054.249.	Sluitring 5,8x10x1	2	57
4054.246.	Retourveer d=0,5 Du=7,3 Lo=10	2	58
4054.242.	Klephuis v. Hydr. Stop	2	59

MOTOCICLI DA COMPETIZIONE HUSQVARNA HUSQVARNA COMPETITION MOTORCYCLES

VALIDITÀ (n° telaio)

VEHICLE IDENTIFICATION NUMBER (frame no.)

510 TC-'89B: 9T000053 ÷ 9T000252

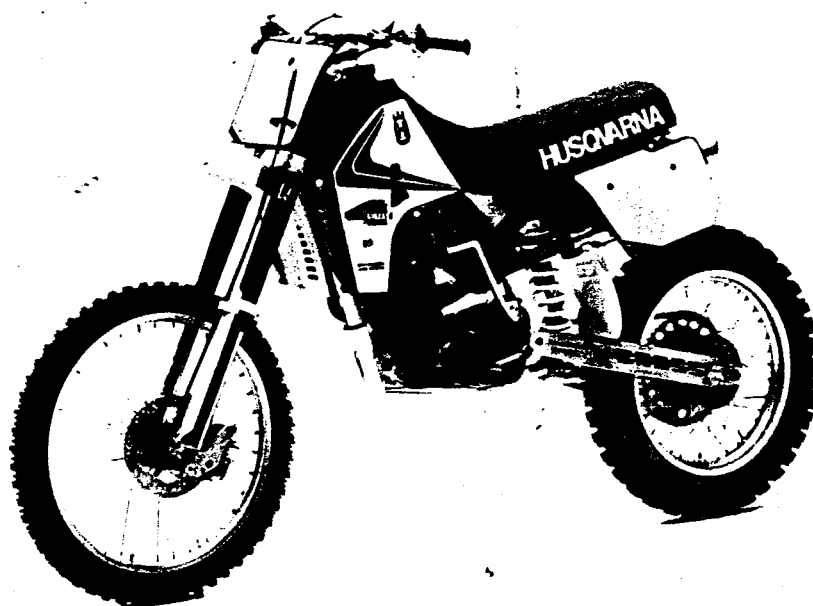
510 TE-'89B: 7T000405 ÷ 7T001204

510 WXE-'90: ZHUTE510□LV000005 ÷

ZHUTE510□LV000204

510 WMX-'90: ZHUTC510□LV000005 ÷ ZHUTC510□LV000084

**4 TEMPI
4 STROKE
'89B/EU
'90/USA**

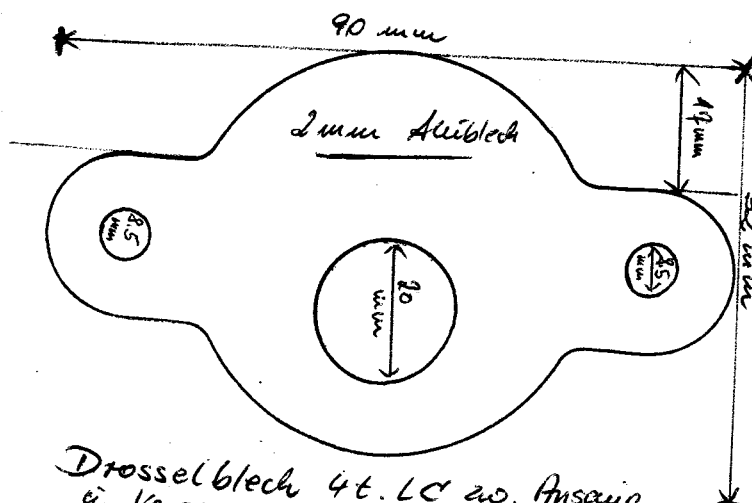


**Catalogo parti
di ricambio
Parts Catalog**

INDICE

Index

TAVOLA Drawing	DESCRIZIONE	Description	PAG.
1	CILINDRO, TESTA	Cylinder, cylinder head	5
1A	DISTRIBUZIONE	Timing system	7
2	ALBERO MOTORE, PISTONE	Crankshaft, piston	9
3	RADIATORI	Radiators	11
4	SEMICARTER DESTRO	R.H. half crankcase	13
5	SEMICARTER SINISTRO, COPERCHIO TRASMISSIONE, AVVIAMENTO	L.H. half crankcase, transmission cover, kick starter	15
6	CAMBIO, COMANDO CAMBIO, FRIZIONE (Mod. TE-WXE - 6 marce)	Transmission, gear shift, clutch (TE-WXE models - 6 speeds)	19
6A	CAMBIO, COMANDO CAMBIO, FRIZIONE (Mod. TC-WMX - 5 marce)	Transmission, gear shift, clutch (TC-WMX models - 5 speeds)	21
7	ACCENSIONE	Ignition	23
8	CARBURATORE	Carburettor	25
9	SCATOLA ASPIRAZIONE, FILTRO ARIA	Air box, air filter	27
10	TELAIO, COMANDO FRENO POSTERIORE	Frame, rear brake control	29
11	SOSPENSIONE ANTERIORE (Mod. TE-WXE)	Front fork assembly (TE-WXE models)	31
11A	SOSPENSIONE ANTERIORE (Mod. TC-WMX)	Front fork assembly (TC-WMX models)	33
12	FORCELLONE	Swing arm	35
13	GUIDACATENA (Mod. TC-WMX)	Chain guide (TC-WMX models)	37
14	COPRICATENA (Mod. TE-WXE)	Chain guard (TE-WXE models)	39
15	LEVERAGGI SOSPENSIONE POSTERIORE	Rear suspension linkage	41
16	AMMORTIZZATORE	Shockabsorber	43
17	MANUBRIO E COMANDI	Handlebar and controls	45
18	PANNELLI LATERALI	Side panels	47
19	PARAFANGHI, PORTANUMERO	Fenders, number holder	49
20	SELLA, SERBATOIO	Seat, gas tank	51
21	SCARICO (Mod. TE-TC-WMX)	Exhaust system (TE-TC-WMX models)	53
21A	SCARICO (Mod. WXE)	Exhaust system (WXE model)	55
22	RUOTA ANTERIORE, COMANDO FRENO ANTERIORE	Front wheel, front brake control	57
23	RUOTA POSTERIORE (Mod. TE-WXE)	Rear wheel (TE-WXE models)	59
23A	RUOTA POSTERIORE (Mod. TC-WMX)	Rear wheel (TC-WMX models)	61
24	IMPIANTO ELETTRICO, STRUMENTI (Mod. TE-TC-WMX)	Electric system, instruments (TE-TC-WMX models)	63
24A	IMPIANTO ELETTRICO (Mod. WXE)	Electric system (WXE model)	65
25	ATTREZZI DI ASSISTENZA, BORSA ATTREZZI	Service tools, tools bag	67



INFORMAZIONI GENERALI

General information

Questo catalogo è stato preparato per richiedere con esattezza le parti di RICAMBIO dei motocicli TE, TC, WXE, WMX 510.

Nelle ordinazioni indicare sempre e solamente:

- 1) il numero dei particolari seguito dalla descrizione;
 - 2) il colore per i pezzi verniciati o comunque colorati;
 - 3) il numero di matricola del motociclo, stampigliato sul canotto di sterzo.
- Le indicazioni destra e sinistra si riferiscono ai lati del veicolo rispetto al senso di marcia.

GENERAL INFORMATION

This catalog has been prepared for your convenience when ORDERING PARTS for TE, TC, WXE, WMX 510 Motorcycles.

The following instructions should be followed very carefully when ordering parts:

- 1) indicate part number and description;
- 2) indicate colour for painted or coloured parts;
- 3) the motorcycle's serial number, stamped on the steering head.

References to right and left apply to the vehicle in terms of its direction of movement.

NOTE - LIST

F.m.: Fino alla matricola - Until V.I.N.

D.m.: Dalla matricola - From V.I.N.

Z: n° denti, number of teeth

DIMENSIONI E DESCRIZIONI

DIMENSIONS AND DESCRIPTIONS

Viti: Dimensioni filetto x lunghezza

Screws: Thread dimensions x length

Dadi: Dimensioni filetto

Nuts: Thread dimension

Cuscinetti a sfere: dimensioni

Ball bearings: dimensions

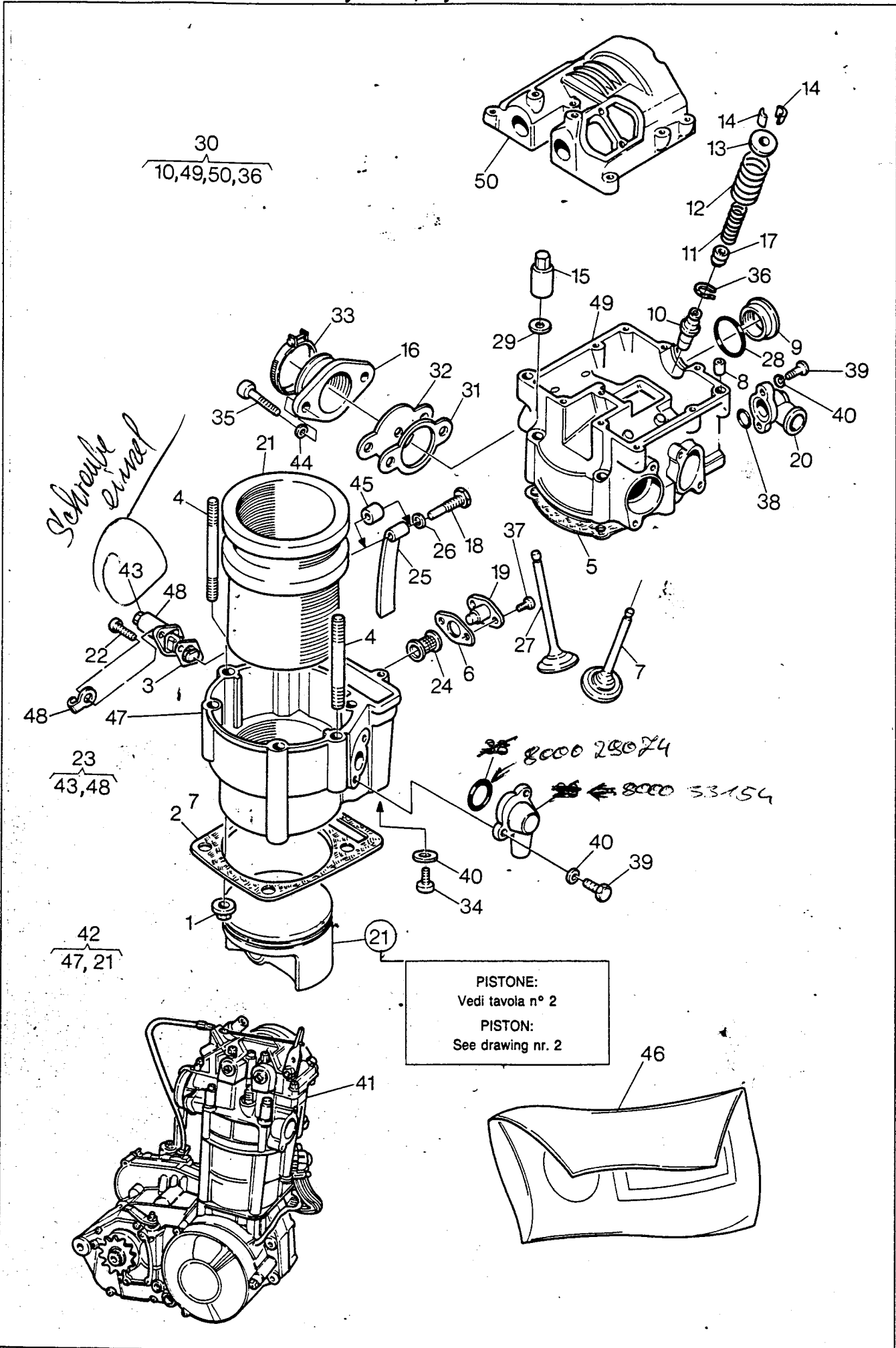
Dati indicativi soggetti a modifiche senza impegno di preavviso.

All data are subject to modification without prior notice.

Emesso: Giugno 1989

Issued: June 1989

CILINDRO, TESTA
Cylinder, Cylinder Head



CILINDRO, TESTA

Cylinder, Cylinder Head

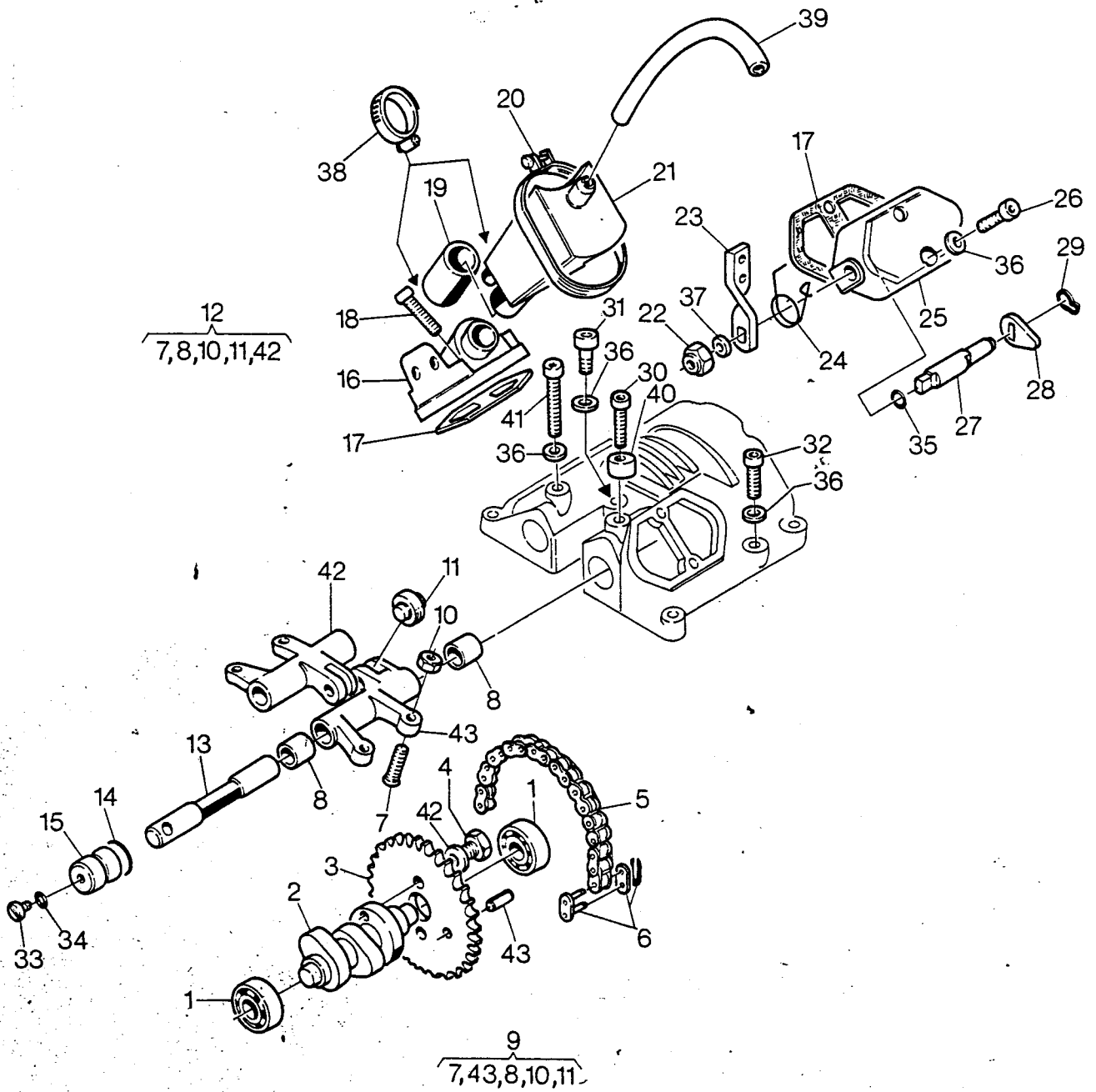
TRAVOLA / Drawing

1

FIG.	CODICE RICAMBIO Sparepart number	QUANTITÀ - Quantity				DESCRIZIONE	Description
		510	510	510	510		
		TC	TE	WXE	WMX		
1	8000 40720	2	2	2	2	Dado M8	Nut
2	16 15 407-01	1	1	1	1	Guarnizione	Gasket
3	16 15 358-01	1	1	1	1	Guarnizione	Gasket
4	16 15 332-01	2	2	1	1	Prigioniero M8x84	Stud
5	16 15 360-01	1	1	1	1	Guarnizione	Gasket
6	16 15 378-01	1	1	1	1	Guarnizione	Gasket
7	16 15 022-01	2	2	2	2	Valvola scarico	Exhaust valve
8	16 11 708-01	2	2	2	2	Bussola	Flangebushing
9	16 15 349-01	1	1	1	1	Tappo	Plug
10	16 15 294-01	4	4	4	4	Guidavalvola	Valve guide
11	16 15 288-01	4	4	4	4	Molla interna	Inner spring
12	16 15 025-01	4	4	4	4	Molla esterna	Outer spring
13	16 15 296-01	4	4	4	4	Scodellino	Cap
14	16 15 023-01	8	8	8	8	Semicono	Half-cone
15	16 15 351-01	4	4	4	4	Dado M10	Nut
16	16 15 238-01	1	1	1	1	Raccordo	Union
17	16 15 303-01	4	4	4	4	Anello di tenuta	Seal ring 43887
18	16 15 359-01	1	1	1	1	Vite	Screw
19	16 15 377-01	1	1	1	1	Tappo filtro olio	Plug
20	16 15 352-01	2	2	2	2	Raccordo	Union
21	8000 64993	1	1	1	1	Canna completa di pistone	Cam with piston
	8000 64864 *	1	1	1	1	Canna completa di pistone	Cam with piston
22	60N10 7335	2	2	2	2	Vite M6x16	Screw
23	16 15 357-02	1	1	1	1	Tenditore completo	Tensioner assy
24	16 15 417-01	1	1	1	1	Filtro olio	Oil filter
25	16 15 055-02	1	1	1	1	Pattino catena	Protection
26	8000 45194	1	1	1	1	Rosetta piana	Flat washer
27	16 15 267-01	2	2	2	2	Valvola aspirazione	Inlet valve
28	8000 59942	1	1	1	1	Anello OR	Oring
29	60N1 15507	4	4	4	4	Rosetta piana	Flat washer
30	16 15 344-01	1	1	1	1	Coperchio e testa	Cover and head
31	16 15 259	1	1	1	1	Guarnizione	Gasket
32	16 15 404	1	1	1	1	Piastrina	Plate
33	8000 60558	1	1	1	1	Fascetta	Clamp
34	60N10 2510	2	2	2	2	Vite M6x25	Screw
35	60N10 2557	2	2	2	2	Vite M8x30	Screw
36	8000 59940	4	4	4	4	Anello di arresto	Seal ring
37	60N10 2898	2	2	2	2	Vite M5x10	Screw
38	8000 59939	2	2	2	2	Anello OR	Oring
39	60N10 7335	4	4	4	4	Vite M6x16	Screw
40	60N1 15504	6	6	6	6	Rosetta piana	Flat washer
41	800L 60514		1			Assieme motore	Engine assy
	800L 61267	1			1	Assieme motore	Engine assy
	800L 65222			1		Assieme motore	Engine assy
42	8000 64992	1	1	1	1	Cilindro completo	Cylinder assy
	8000 64907 *	1	1	1	1	Cilindro completo	Cylinder assy
43	8000 62168	1	1	1	1	Vite	Screw
44	80000 8536	2	2	2	2	Rosetta piana	Flat washer
45	16 15 410-01	2	2	2	2	Distanziale	Spacer
46	16 19 901-01	1	1	1	1	Gruppo guarnizioni motore	Gasket set
48	8000 24319	1	1	1	1	Piastrina	Plate

*: Per trasformazione in modello 500 cm³

*: For conversion in model 500 cm³

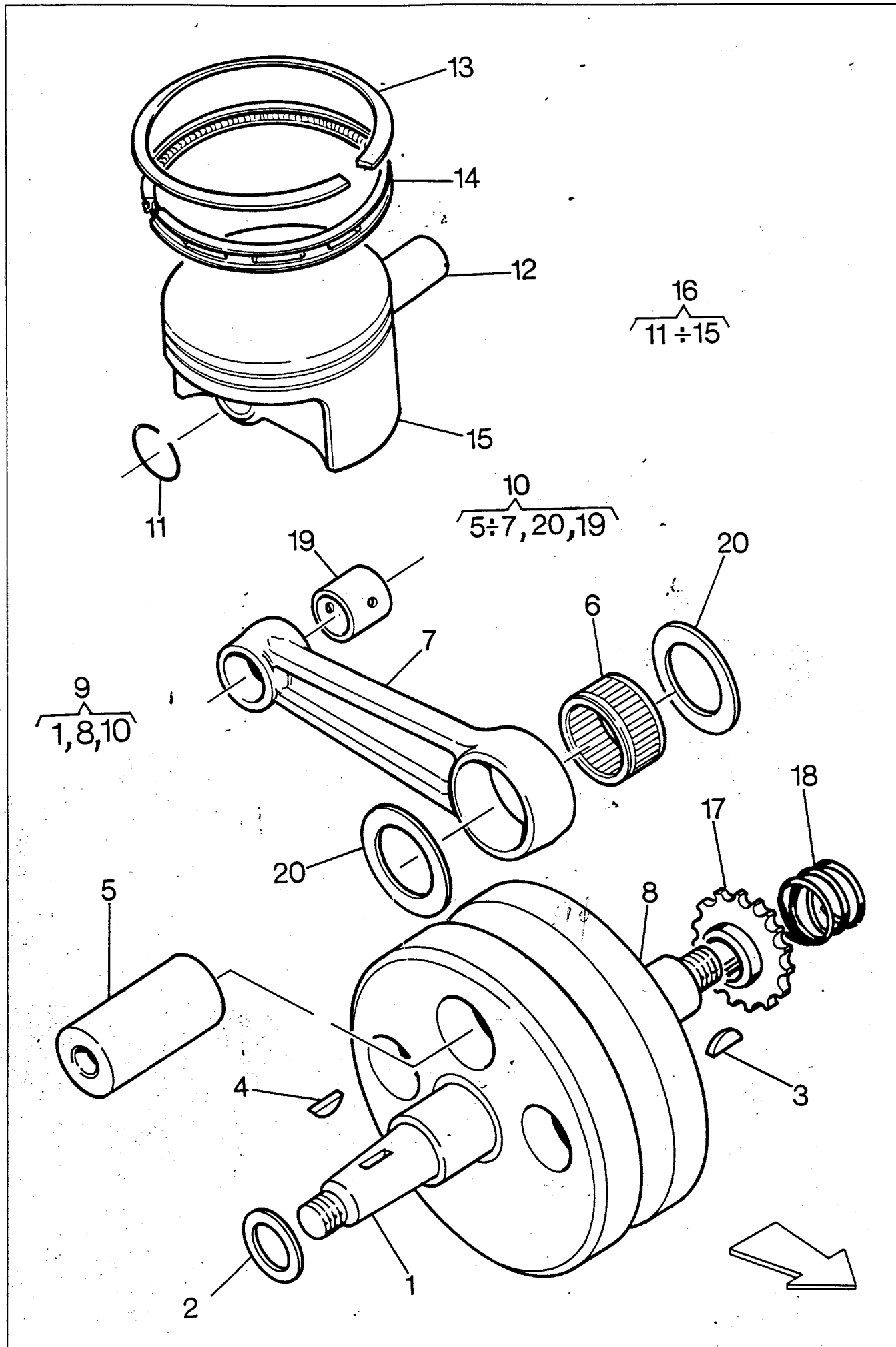


DISTRIBUZIONE Timing system

DW/OLA / Drawing

1A

FIG.	CODICE RICAMBIO Sparepart number	QUANTITÀ - Quantity				DESCRIZIONE	Description
		510	510	510	510		
		TC	TE	WXE	WMX		
1	80000 2124	2	2	2	2	Cuscinetto Ø12xØ32x10	Bearing
2	16 15 038-01	1	1	1	1	Albero a camme	Camshaft
3	16 15 350-01	1	1	1	1	Ingranaggio condotto Z=30	Driven gear
4	16 15 266-01	2	2	2	2	Vite M8X12	Screw
5	16 15 099-01	1	1	1	1	Catena distribuzione	Chain
6	16 15 100-01	1	1	1	1	Giunto	Master link
7	16 15 049-01	4	4	4	4	Vite di registro	Adjusting screw
8	16 15 043-01	4	4	4	4	Bussola	Flangebushing
9	16 15 096-01 1619853-01 Ausl	1	1	1	1	Bilanciere di scarico completo	Exhaust rocker-arm assy
10	16 15 156-01	4	4	4	4	Dado M6	Nut
11	16 15 045-01	2	2	2	2	Cuscinetto a rullini	Needle bearing
12	16 15 095-01 16 15 85401 Einlauf	1	1	1	1	Bilanciere di aspirazione completo	Inlet rocker-arm
13	16 15 042-01	2	2	2	2	Perno	Bolt
14	8000 59939	2	2	2	2	Anello OR	Oring
15	16 15 393-01	2	2	2	2	Tappo	Plug
16	16 15 121-01	1	1	1	1	Coperchio registri	Cover
17	16 15 036-01	2	2	2	2	Guarnizione	Gasket
18	60N10 7336	3	3	3	3	Vite M6x22	Screw
19	16 15 141-02	1	1	1	1	Tubetto	Tube
20	8000 37299	1	1	1	1	Fascetta	Clamp
21	16 15 128-01	1	1	1	1	Contenitore vapori basamento	Base vapore container
22	60N1 15195	1	1	1	1	Dado M8	Nut
23	16 15 408-01	1	1	1	1	Leva	Lever
24	16 15 123-01	1	1	1	1	Molla	Spring
25	16 15 035-01	1	1	1	1	Coperchio decompressore	Cover
26	60N10 2513	1	1	1	1	Vite M6x40	Screw
27	16 15 084-01	1	1	1	1	Perno	Bolt
28	16 15 085-01	1	1	1	1	Camma decompressore	Decompression cam
29	8000 21375	1	1	1	1	Anello di fermo	Circlip
30	60N10 2517	2	2	2	2	Vite M6x60	Screw
31	60N10 2514	1	1	1	1	Vite M6x45	Screw
32	60N10 2511	8	8	8	8	Vite M6x30	Screw
33	60N10 2927	2	2	2	2	Vite M6x8	Screw
34	16 10 823-01	4	4	4	4	Rosetta piana	Flat washer
35	8000 59941	1	1	1	1	Anello OR	Oring
36	60N1 15504	9	9	9	9	Rosetta piana	Flat washer
37	60N1 15567	1	1	1	1	Rosetta piana	Flat washer
38	8000 46881	2	2	2	2	Fascetta	Clamp
39	16 11 198-02	1	1	1	1	Tubetto	Tube
40	16 15 395-01	1	1	1	1	Distanziale	Spacer
41	60N10 2516	1	1	1	1	Vite M6x55	Screw
42	60N1 15658	2	2	2	2	Rosetta elastica	Spring washer
43	8000 64898	1	1	1	1	Perno	Bolt



ALBERO MOTORE, PISTONE

Crankshaft, piston

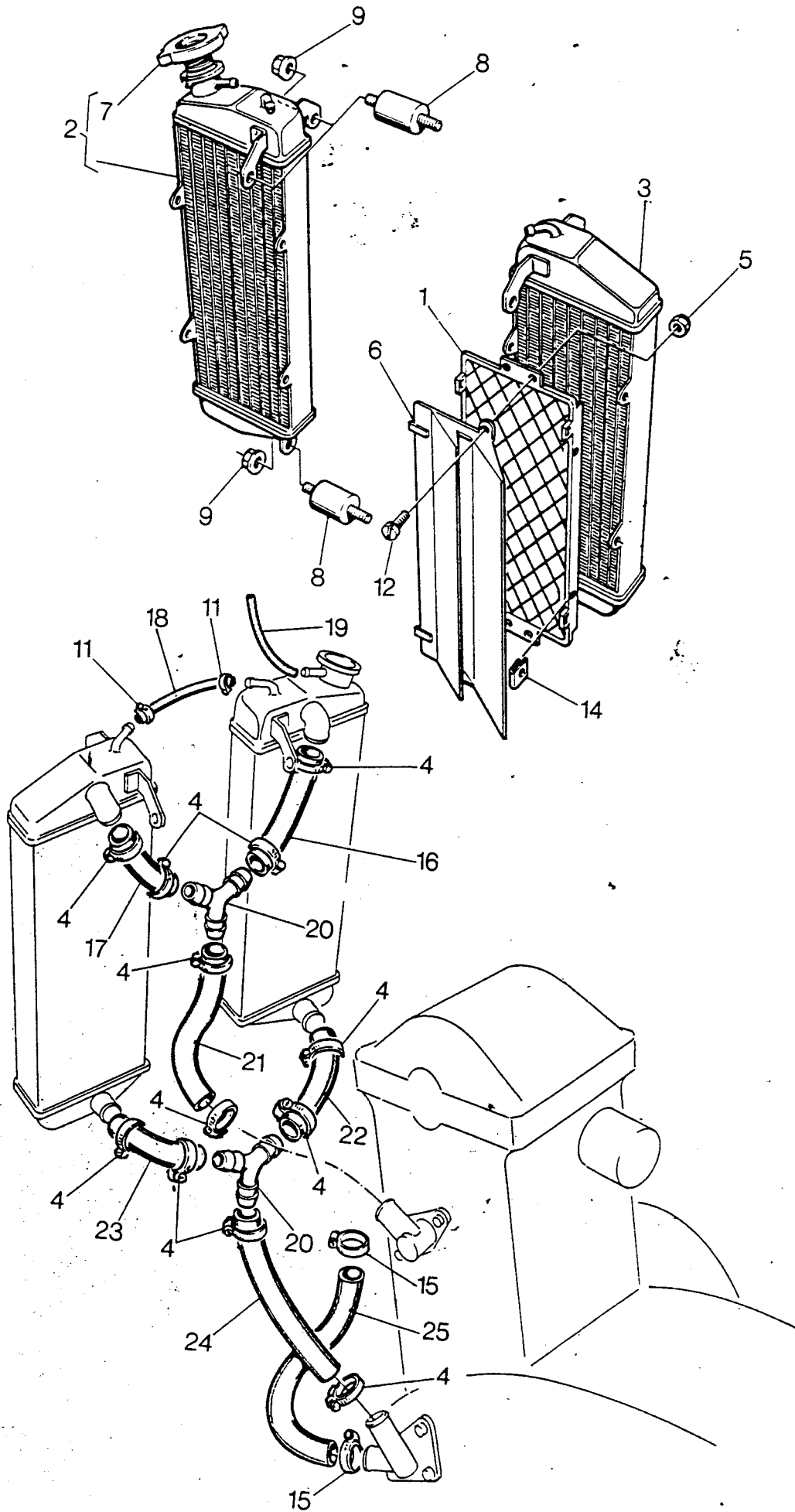
DIM. / Drawing

2

FIG.	CODICE RICAMBIO Sparepart number	QUANTITÀ - Quantity				DESCRIZIONE	Description
		510	510	510	510		
		TC	TE	WXE	WMX		
2	80B0 28183 80D0 28183 80E0 28183 80F0 28183 80G0 28183	1	1	1	1	Rosetta di rasamento Sp. 0,3 mm. Sp. 0,5 mm. Sp. 0,6 mm. Sp. 0,8 mm. Sp. 1,0 mm.	Thrust washer
20-3	16 15 098-01	1	1	1	1	Chiavetta	Key
20-4	15 13 713-01	1	1	1	1	Linguetta	Key
20-9	8000 59960	1	1	1	1	Albero motore completo	Crankshaft compl.
20-10	8000 59968	1	1	1	1	Biella completa	Connecting rod, overhaulkit
20-11	16 15 355-01	2	2	2	2	Anello di fermo	Circlip
20-12	16 15 370-01	1	1	1	1	Spinotto	Pin
20-13	16 15 071-01	1	1	1	1	Segmento	Pistonring
20-13	16 15 413-01 *	1	1	1	1	Segmento	Pistonring
20-14	8000 64995	1	1	1	1	Raschiaolio completo	Oilring compl.
20-14	16 15 414-01 *	1	1	1	1	Raschiaolio completo	Oilring compl.
20-16	8000 64994	1	1	1	1	Pistone completo Ø91,5 mm.	Piston compl.
20-16	16 15 411-01 *	1	1	1	1	Pistone completo Ø91 mm.	Piston compl.
20-17	16 15 058-01	1	1	1	1	Ingranaggio distribuzione Z = 15	Timing gear
20-18	8000 61275	1	1	1	1	Molla	Spring
20-19	8000 59539	1	1	1	1	Bussola	Flangebushing
20-20	8000 59540	2	2	2	2	Rosetta di rasamento	Thrust washer

 *: Per trasformazione in modello 500 cm³

 *: For conversion in model 500 cm³



RADIATORI

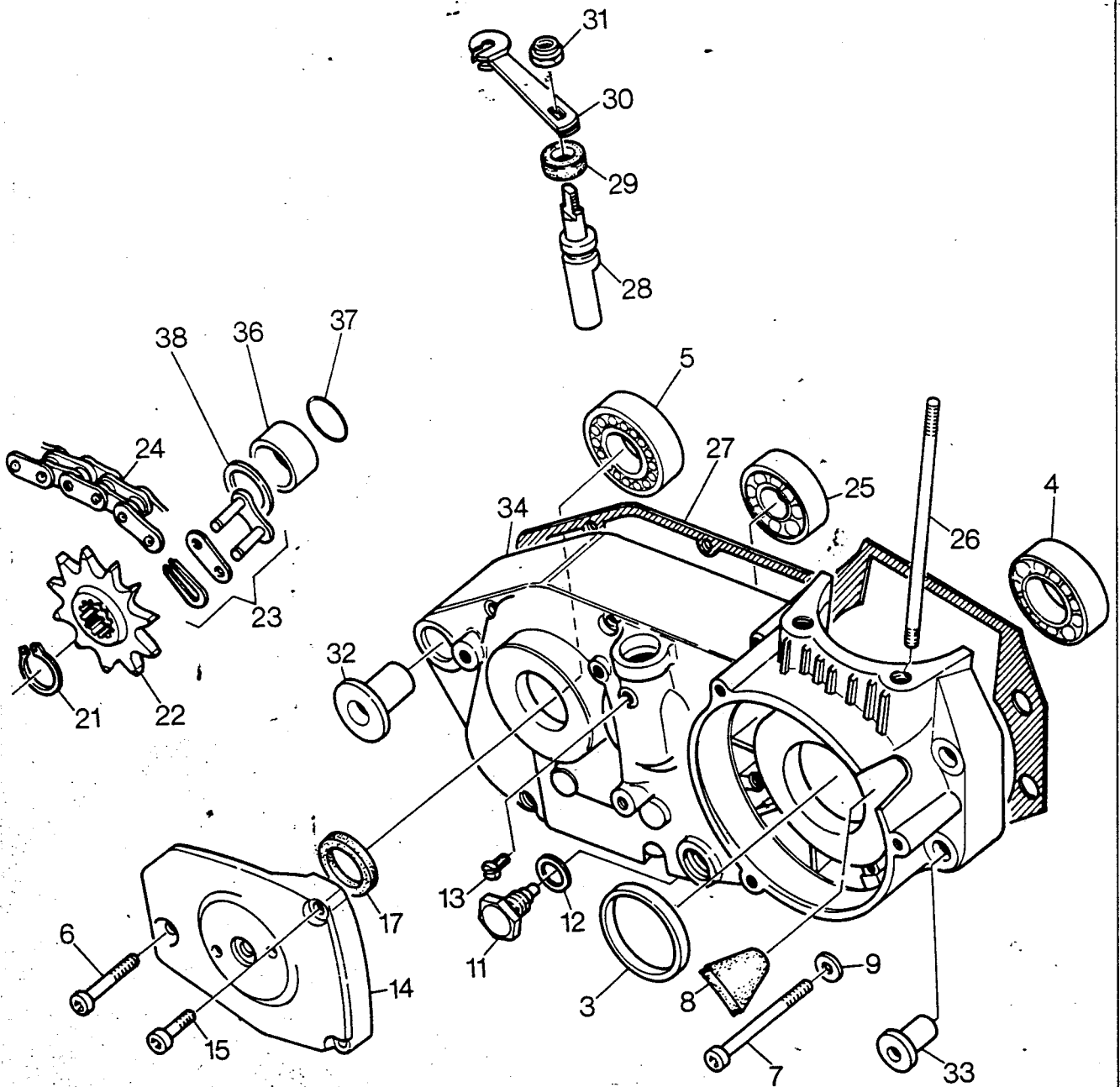
Radiators

DWG/CLA / Drawing

3

FIG.	CODICE RICAMBIO Sparepart number	QUANTITÀ - Quantity				DESCRIZIONE	Description
		510	510	510	510		
		TC	TE	WXE	WMX		
1	15 13 864-01	2	2	2	2	Griglia	Screen
2	15 13 860-01	1	1	1	1	Radiatore	Radiator
3	15 13 861-01	1	1	1	1	Radiatore	Radiator
4	8000 22613	12	12	12	12	Fascetta	Clamp
5	8000 61355	4	4	4	4	Dado M5	Nut
6	15 13 865-01	2	2	2	2	Paraspruzzi	Splashshield
7	15 13 863-01	1	1	1	1	Tappo	Radiatorcap
8	15 17 090-04	6	6	6	6	Antivibrante	Damper
9	15 13 706-01	6	6	6	6	Dado	Nut
11	8000 27495	2	2	2	2	Fascetta	Hoseclamp
12	60N10 2898	4	4	4	4	Vite M5x10	Screw
14	8000 43638	8	8	8	8	Dado	Nut
15	8000 46881	2	2	2	2	Fascetta	Hoseclamp
16	15 13 873-01	1	1	1	1	Tubazione	Hose
17	15 13 874-01	1	1	1	1	Tubazione	Hose
18	15 13 875-01 <i>87101</i>	1	1	1	1	Tubazione	Hose
	15 13 871-01	1			1	Tubazione	Hose
19	15 13 920-02	1	1	1	1	Tubazione	Hose
20	15 14 149-01	2	2	2	2	Raccordo a «Y»	Y-branch
21	15 13 879-01	1	1	1	1	Tubazione	Hose
22	15 13 877-01	1	1	1	1	Tubazione	Hose
23	15 13 876-01	1	1	1	1	Tubazione	Hose
24	15 13 878-01	1	1	1	1	Tubazione	Hose
25	16 15 347-01	1	1	1	1	Tubazione	Hose

SEMICARTER DESTRO
R.H. half crankcase



35
3+5,11+13,17,25,28+34

SEMICARTER DESTRO

R.H. half crankcase

TAVOLA / Drawing

4

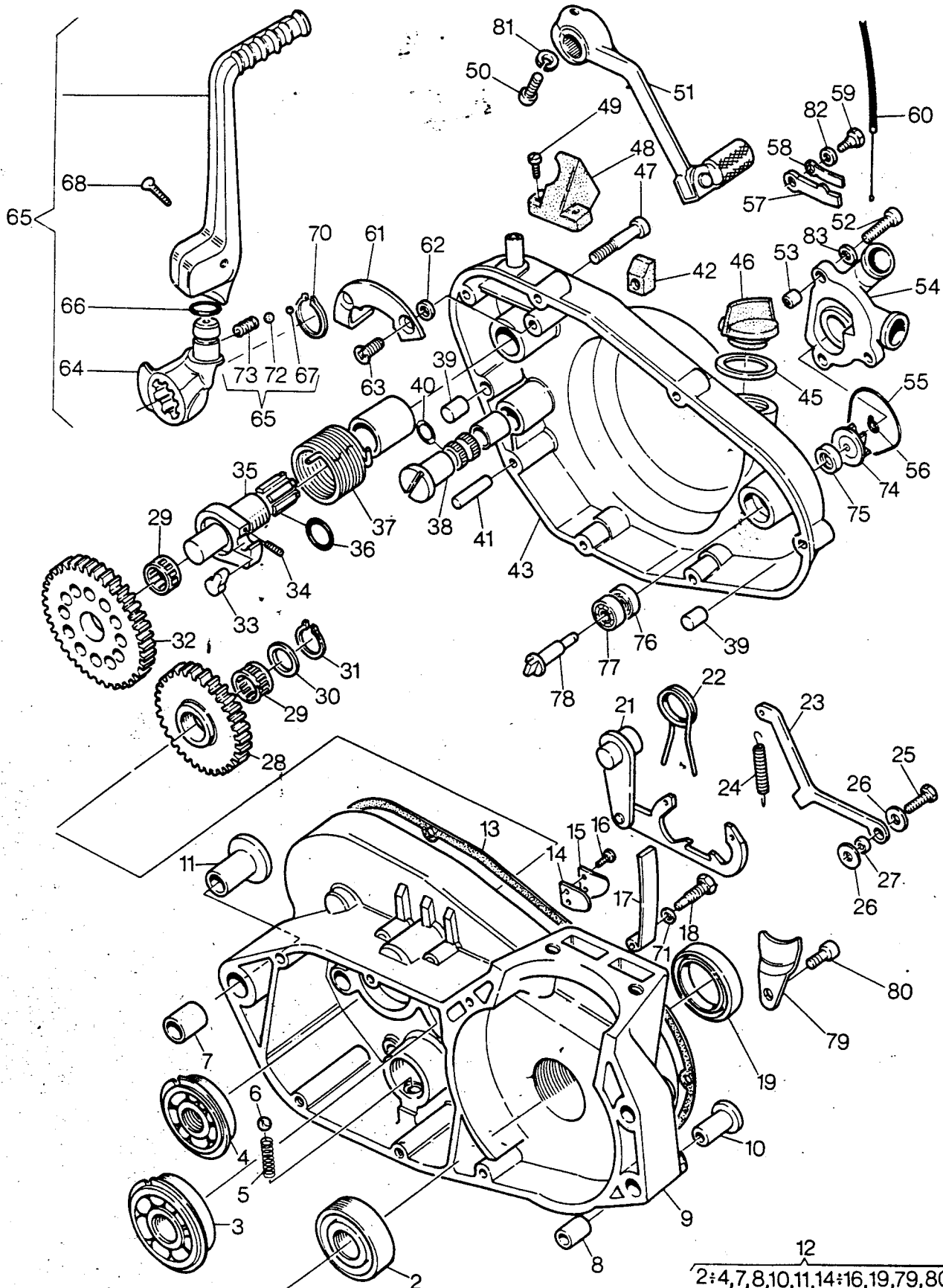
FIG.	CODICE RICAMBIO Sparepart number	QUANTITÀ - Quantity				DESCRIZIONE	Description
		510	510	510	510		
		TC	TE	WXE	WMX		
3	15 13 726-02	1	1	1	1	Anello di tenuta	Seal ring
4	8000 28182	1	1	1	1	Cuscinetto Ø30xØ72x19	Bearing
5	8000 43789	1	1	1	1	Cuscinetto Ø25xØ52x15	Bearing
6	60N10 2513	1	1	1	1	Vite M6x40	Screw
7	72 55 385-01	6	6	6	6	Vite M5x75	Screw
8	16 14 728-01	1	1	1	1	Gommino	Grommet
9	60N1 15504	6	6	6	6	Rosetta piana	Washer
11	16 12 537-01	1	1	1	1	Tappo di scarico	Drainplug
12	8000 19609	1	1	1	1	Guarnizione	Gasket
13	60N10 2896	1	1	1	1	Vite M5x8	Screw
14	16 11 816-02	1	1	1	1	Coperchio	Cover
15	60N10 2510	2	2	2	2	Vite M6x25	Screw
17	8000 59977	1	1	1	1	Anello di tenuta	Seal ring
21	60N1 21211	1	1	1	1	Anello di fermo	Circlip
22	8000 60513		1			Pignone Z = 17	Sprocket
	8000 60512		1			Pignone Z = 16 (in dotazione)	Sprocket (Series kit)
	8000 60510		1			Pignone Z = 14 (a richiesta)	Drive sprocket (optional)
	8000 60511		1			Pignone Z = 15 (a richiesta)	Pinion (optional)
	8000 60508	1			1	Pignone Z = 12	Pinion Z = 12
	8000 60510			1		Pignone Z = 14	Drive sprocket
23	15 19 759-01	1			1	Giunto	Master link
24	15 19 760-12	1			1	Catena	Chain
	15 17 760-06		1	1		Catena con OR	Oring chain
25	8000 19768	1	1	1	1	Cuscinetto Ø15xØ42x13	Bearing
26	16 15 116-01	4	4	4	4	Prigioniero cilindro M10x200	Cylinderstud
27	16 15 014-02	1	1	1	1	Guarnizione	Gasket
28	16 15 310-01	1	1	1	1	Albero comando frizione	Declutchingshaft
29	15 13 722-01	1	1	1	1	Anello di tenuta	Seal ring
30	16 14 645-01	1	1	1	1	Leva	Lever
31	60N1 15195	1	1	1	1	Dado M8	Nut
32	16 14 589-01	1	1	1	1	Bussola	Flangebushing
33	16 10 777-01	2	2	2	2	Bussola	Flangebushing
35	8000 60449 *	1	1	1	1	Carter motore accoppiati compl.	Crankcase assy
36	8000 60464	1	1	1	1	Distanziale	Spacer
37	8000 23110	1	1	1	1	Anello OR	Oring
38		1	1	1	1	Rosetta di rasamento	Thrust washer
	80B0 36022					Sp. 0,2 mm.	
	80C0 36022					Sp. 0,3 mm.	
	80D0 36022					Sp. 0,4 mm.	
	80E0 36022					Sp. 0,5 mm.	
22	60503		1			Rituel 132.	

*: Vedi anche tavola N° 5

*: See also table Nr. 5

SEMICARTER SINISTRO, COPERCHIO TRASMISSIONE, AVVIAMENTO
L.H. half crankcase, transmission cover, kick starter

FIG.	CODICE RICAMBIO Sparepart number	QUANTITÀ - Quantity				DESCRIZIONE	Description
		510	510	510	510		
		TC	TE	WXE	WMX		
2	8000 28182	1	1	1	1	Cuscinetto Ø30xØ72x19	Bearing
3	8000 59975	1	1	1	1	Cuscinetto Ø25xØ52x15	Bearing
4	8000 59976	1	1	1	1	Cuscinetto Ø17xØ47x14	Bearing
5	8000 61263	1	1	1	1	Molla	Spring
6	8000 60476	1	1	1	1	Sfera	Ball
7	16 14 590-01	1	1	1	1	Bussola di riferimento	Dowelpins
8	16 10 776-01	1	1	1	1	Bussola di riferimento	Dowelpins
10	16 10 777-01	1	1	1	1	Bussola	Flangebushing
11	16 14 589-01	1	1	1	1	Bussola	Flangebushing
12	8000 60449 *	1	1	1	1	Carter motore accoppiati compl.	Crankcase assy
13	16 11 650-02	1	1	1	1	Guarnizione	Gasket
14	16 15 348-01	1	1	1	1	Valvola lamellare	Reedvalve
15	16 15 105-01 ✓	1	1	1	1	Supporto	Reedvalvesupport
16	60N10 2866	2	2	2	2	Vite M4x6	Screw
17	16 15 055-01 ✓	1	1	1	1	Tenditore catena distr.	Camchaintensioner
18	16 15 359-01	1	1	1	1	Vite	Screw
19	15 13 726-02	1	1	1	1	Anello di tenuta	Seal ring
21	16 11 686-01 ✓	1	1	1	1	Selettore cambio	Gear-select-linkage
22	16 11 692-01	1	1	1	1	Molla	Returnspring
23	16 11 683-01 ✓	1	1	1	1	Saltarello	Hooklink
24	16 11 684-01 ✓	1	1	1	1	Molla	Spring
25	60N10 1079	1	1	1	1	Vite M6x16	Screw
26	80000 6385	2	2	2	2	Rosetta piana	Flat washer
27	16 11 216-01	1	1	1	1	Bussola	Bushing
28	16 11 271-01 ✓	1	1	1	1	Ingranaggio di rinvio Z = 25	Idlegear
29	8000 40449 ✓	2	2	2	2	Cuscinetto a rullini	Needle bearing
30	8000 32205 ✓	1	1	1	1	Rosetta	Washer
31	60N2 21205	1	1	1	1	Anello di fermo	Circlip
32	16 15 391-01 ✓	1	1	1	1	Ingranaggio avviamento Z = 35	Kickstartgear
33	16 11 680-01 ✓	1	1	1	1	Saltarello	Driver
34	16 11 681-01 ✓	1	1	1	1	Molla	Spring
35	16 11 677-01 ✓	1	1	1	1	Albero avviamento	Kickstartshaft
36	8000 60475 ✓	2	2	2	2	Anello OR	Oring
37	16 16 362-01 ✓	1	1	1	1	Molla	Returnspring
38	16 11 746-01 ✓	1	1	1	1	Albero pedale cambio	Gearshiftshaft
39	16 11 708-01 ✓	2	2	2	2	Spina di riferimento	Dowelpins
40	8000 60474 ✓	2	2	2	2	Anello OR	Oring
41	72 11 344-40 ✓	1	1	1	1	Perno	Pin
42	16 14 375-01	1	1	1	1	Gommino	Rubber
44	16 14 380-01 ✓	1	1	1	1	Coperchio trasmissione compl.	Transmissioncover compl.
45	50.12 762-01 ✓	1	1	1	1	Guarnizione	Gasket
46	16 14 381-01 ✓	1	1	1	1	Tappo	Cap
47	60N10 2513	5	5	5	5	Vite M6x40	Screw
	60N10 2514	2	2	2	2	Vite M6x45	Screw
48	16 11 294-02 ✓	1	1	1	1	Fermo pedale avviamento	Kickstarterretainer
49	60N10 2900	2	2	2	2	Vite M5X14	Screw
50	60N10 2509	1	1	1	1	Vite M6x20	Screw
51	16 16 359-01 ✓	1	1	1	1	Leva cambio compl.	Gearlever compl.
52	60N10 7336	3	3	3	3	Vite M6x22	Screw
53	16 17 955-01 ✓	2	2	2	2	Bussola	Dowelpins
54	16 17 967-01 ✓	1	1	1	1	Corpo pompa	Pumphousing
55	16 17 964-01 ✓	1	1	1	1	Anello OR	Oring
56	8000 22307 ✓	1	1	1	1	Anello di fermo	Circlip
57	16 15 148-01 ✓	1	1	1	1	Levetta	Lifter
58	16 15 147-01 ✓	1	1	1	1	Molla	Spring
59	16 15 146-01 ✓	1	1	1	1	Vite	Screw
60	15 15 334-02 ✓	1	1	1	1	Cavo	Cable
61	16 11 704-01 ✓	1	1	1	1	Piastrina fine corsa	Springholder
62	16 11 706-01 ✓	2	2	2	2	Distanziale	Spacer
63	8000 60577 ✓	2	2	2	2	Vite	Screw
64	16 14 377-01 ✓	1	1	1	1	Mozzetto	Lowerpart kickstarter
65	16 14 385-02 ✓	1	1	1	1	Pedale avviamento completo	Kickstarter compl.



12
 2:4,7,8,10,11,14:16,19,79,80,9

44

39,43,45,46,48,49,52:59,61:63,74:78, 82,83,41,42

SEMICARTER SINISTRO, COPERCHIO TRASMISSIONE, AVVIAMENTO
L.H. half crankcase, transmission cover, kick starter

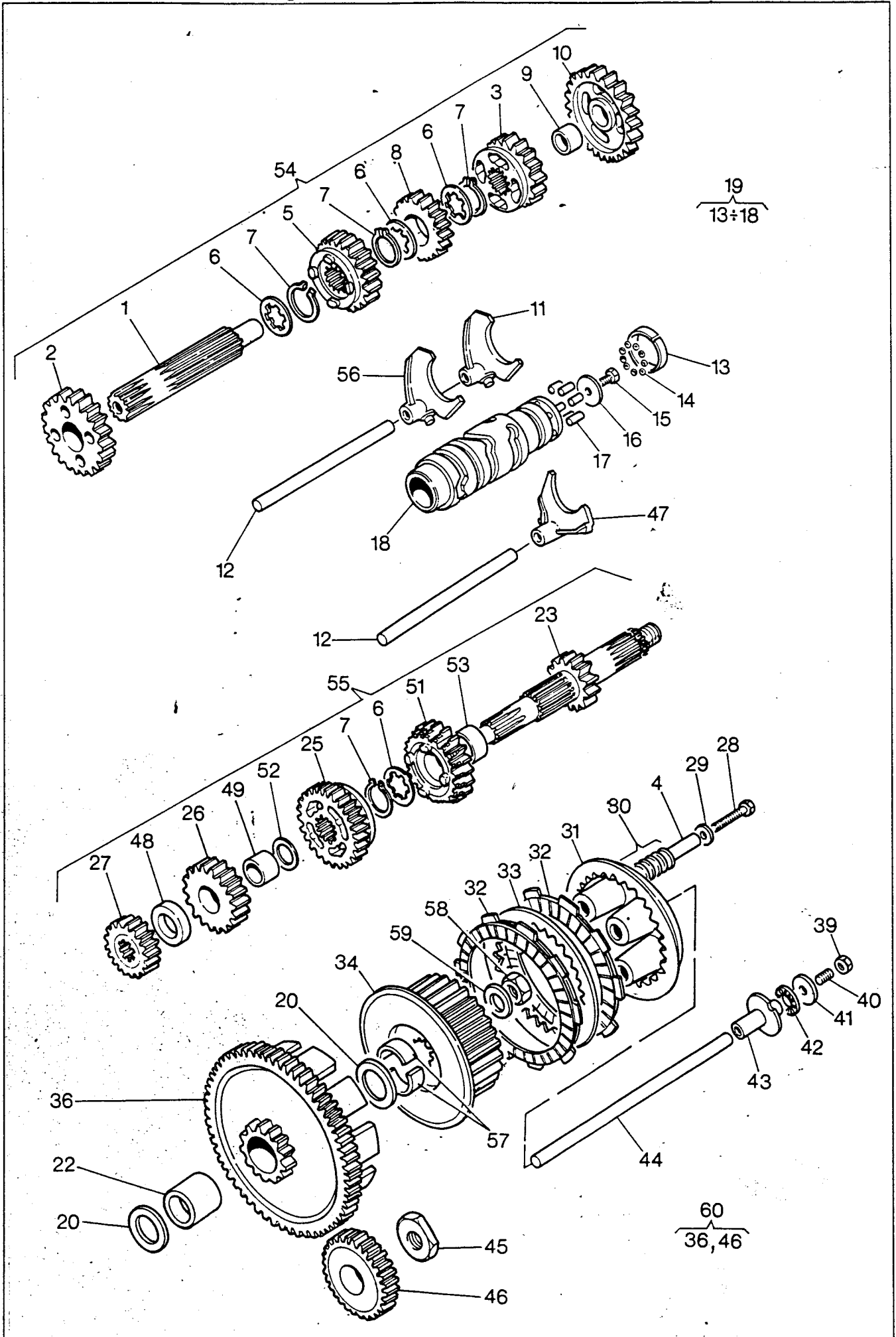
10

3

FIG.	CODICE RICAMBIO Sparepart number	QUANTITÀ - Quantity				DESCRIZIONE	Description
		510	510	510	510		
		TC	TE	WXE	WMX		
66	8000 31271 ✓	1	1	1	1	Anello OR	Oring
67	16 11 085-01 ✓	1	1	1	1	Tappo	Plug
68	8000 58140 ✓	1	1	1	1	Vite	Screw
70	60N2 21208 ✓	1	1	1	1	Anello di fermo	Circlip
71	8000 45194 ✓	1	1	1	1	Rosetta	Washer
72	8000 60472 ✓	1	1	1	1	Sfera	Ball
73	16 11 084-01 ✓	1	1	1	1	Molla	Spring
74	16 17 951-01 ✓	1	1	1	1	Girante	Pumpwheel
75	16 17 958-01 ✓	1	1	1	1	Anello di tenuta	Seal ring
76	8000 60470 ✓ <i>63312</i>	1	1	1	1	Cuscinetto Ø8xØ22x7	Bearing
77	80000 6597 ✓	1	1	1	1	Cuscinetto Ø8xØ22x7	Bearing
78	16 17 966-01 ✓	1	1	1	1	Albero pompa	Pumpshaft
79	8000 61269 ✓	1	1	1	1	Piastrina	Plate
80	60N10 2504	1	1	1	1	Vite M6x40	Screw
81	60N1 15656	1	1	1	1	Rosetta elastica	Spring washer
82	8000 47395	1	1	1	1	Rosetta	Washer
83	60N1 15504	3	3	3	3	Rosetta piana	Flat washer

*: Vedi anche tavola N° 4

*: See also table Nr. 4

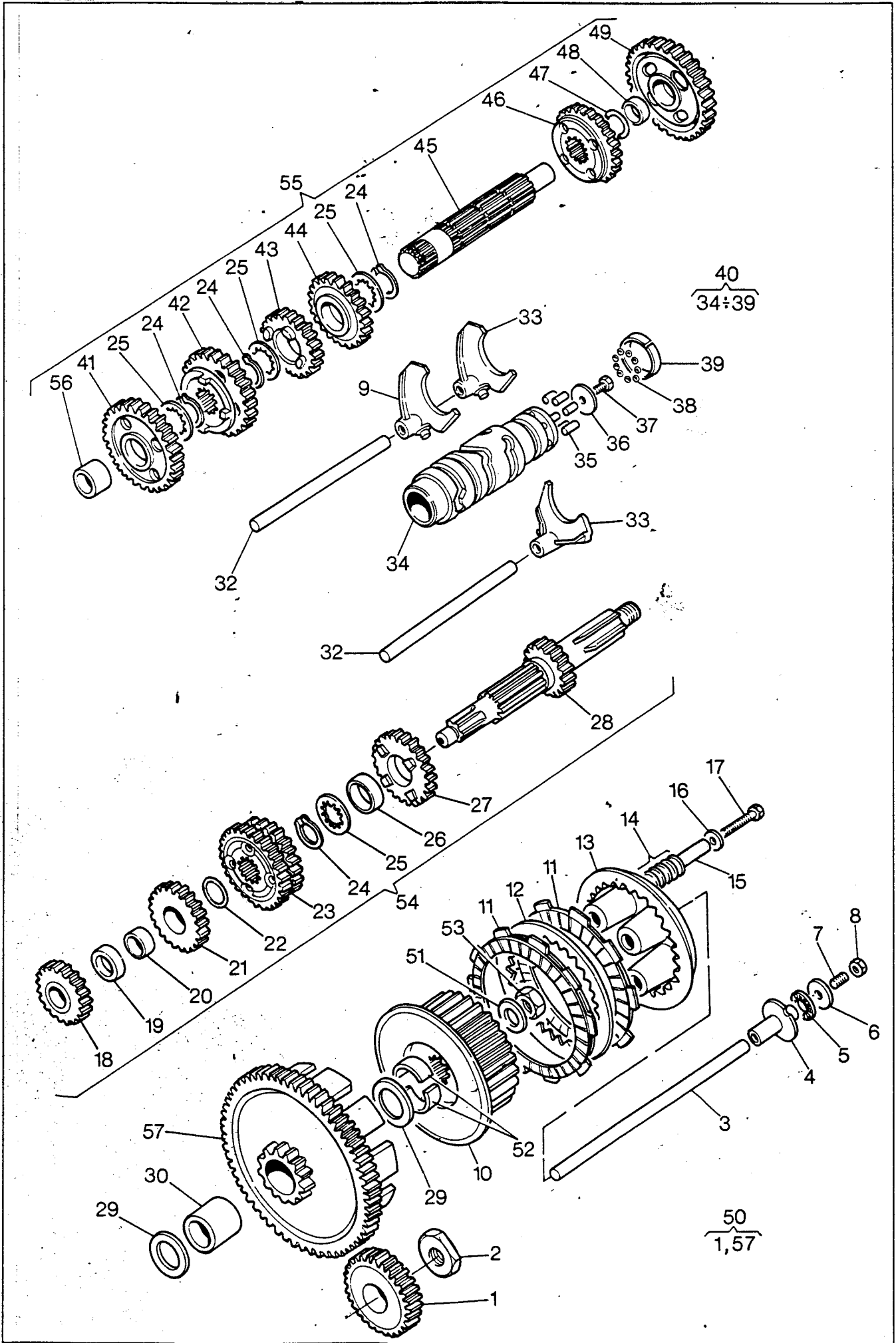


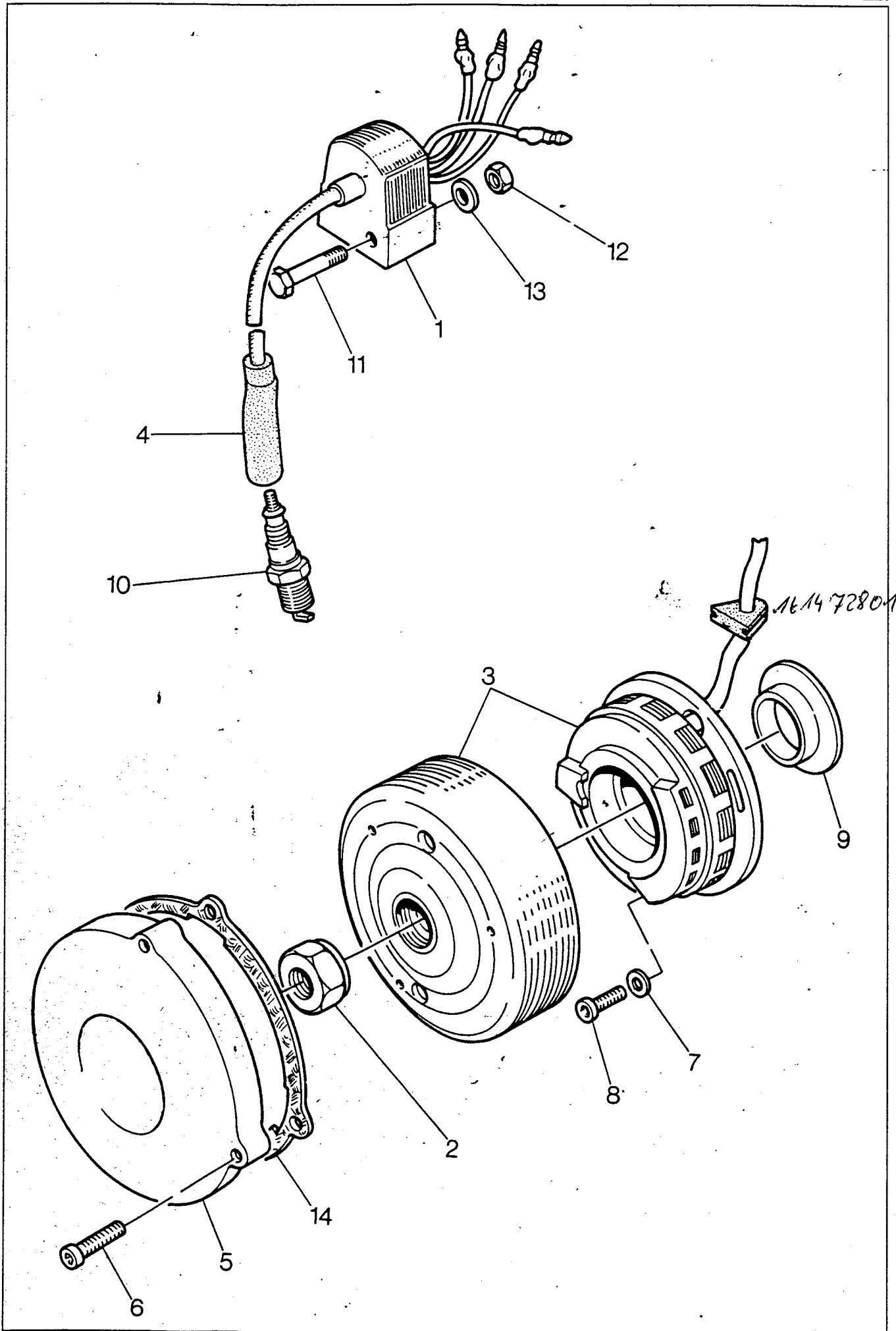
CAMBIO, COMANDO CAMBIO, FRIZIONE (Mod. TC-WMX 5 marce)
Transmission, gear shift, clutch (TC-WMX models 5 speeds)

TRMOLA / Drawing

6A

FIG.	CODICE RICAMBIO Sparepart number	QUANTITÀ - Quantity				DESCRIZIONE	Description
		510	510	510	510		
		TC	TE	WXE	WMX		
1	8000 60526 ✓	1			1	Albero secondario	Auxiliaryshaft
2	16 16 022-01 ✓	1			1	Ingranaggio 2 ^a A.S. Z=26	Gearwheel 2nd A.S.
3	16 16 024-01 ✓	1			1	Ingranaggio 4 ^a A.S. Z=22	Gearwheel 4th A.S.
4	16 11 169-03 ✓	5			5	Distanziale	Spacer
5	8000 63432 ✓	1			1	Ingranaggio 3 ^a A.S. Z=24	Gearwheel 3rd A.S.
6	16 11 717-01 ✓	4			4	Rosetta	Supportwasher
7	60N2 21211 ✓	5			5	Anello di fermo	Circlip
8	16 16 025-01 ✓	1			1	Ingranaggio 5 ^a A.S. Z=20	Gearwheel 5th A.S.
9	16 12 415-01 ✓	1			1	Bussola	Bearingsleeve
10	16 16 021-01 ✓	1			1	Ingranaggio 1 ^a A.S. Z=29	Gearwheel 1st A.S.
11	16 12 384-01 ✓	1			1	Forcella cambio	Shifffork
12	16 11 699-01 ✓	2			2	Perno	Shaft
13	16 12 699-01 ✓	1			1	Anello esterno	Outerrance
14	8000 60472 ✓	11			11	Sfera	Ball
15	8000 60473 ✓	1			1	Vite M6x10	Screw
16	8000 30326 ✓	1			1	Rosetta	Washer
17	8000 35823 ✓	6			6	Rullino	Pin
19	16 16 354-01 ✓	1			1	Albero comando forcelle cambio completo	Linkroller compl.
20	16 14 405-01 ✓	2			2	Rosetta	Washer
22	16 15 388-01 ✓	1			1	Bussola	Bearingsleeve
23	16 14 420-01 ✓	1			1	Albero primario Z=16	Mainshaft Z=16
25	16 16 020-01 ✓	1			1	Ingranaggio 5 ^a A.P. Z=27	Gearwheel 5th A.P.
26	16 16 037-01 ✓	1			1	Ingranaggio 3 ^a A.P. Z=22	Gearwheel 3rd A.P.
27	16 16 017-01 ✓	1			1	Ingranaggio 2 ^a A.P. Z=19	Gearwheel 2nd A.P.
28	8000 29341 ✓	5			5	Vite M6x40	Screw
29	80000 2709 ✓	5			5	Rosetta	Washer
30	16 15 285-01 ✓	5			5	Molla frizione	Clutchspring
31	8000 59979 ✓	1			1	Piastra spingidischi	Pressureplate
32	16 15 273-01 ✓	8			8	Disco conduttore	Disc with lining
33	16 15 274-01 ✓	9			9	Disco condotto	Disc
34	8000 59978 ✓	1			1	Mozzo frizione	Clutch hub
36	16 15 379-01 ✓	1			1	Campana frizione compl. Z=76	Clutch ring compl.
39	60N1 15033 ✓	1			1	Dado M6	Nut
40	8000 65103 ✓	1			1	Vite M6x22	Screw
41	16 11 167-01 ✓	1			1	Rosetta	Washer
42	16 11 166-01 ✓	1			1	Cuscinetto assiale	Bearing
43	8000 62211 ✓	1			1	Piattello	Shaft
44	16 15 315-01 ✓	1			1	Asta di spinta	Pushrod
45	8000 59965 ✓	1			1	Dado M14	Nut
46	16 11 075-01 ✓	1			1	Ingranaggio conduttore Z=33	Drive gear
47	16 16 015-01 ✓	1			1	Forcella cambio	Fork
48	16 16 027/01 ✓	1			1	Distanziale	Spacer
49	16 16 360-01 ✓	1			1	Bussola	Bearingsleeve
51	16 16 019-01 ✓	1			1	Ingranaggio 4 ^a A.P. Z=25	Gearwheel 4th A.P.
52	16 12 842-01 ✓	1			1	Rosetta	Washer
53	8000 63798 ✓	1			1	Bussola	Bearingsleeve
54	8000 60524 ✓	1			1	Albero primario completo	Main shaft assy
55	8000 60525 ✓	1			1	Albero secondario completo	Counter shaft assy
56	8000 63425 ✓	1			1	Forcella 3 ^a vel. sul secondario	3rd speed fork on secondary
57	8000 62215 ✓	2			2	Semianello	Half.ring
58	8000 60458 ✓	1			1	Dado	Nut
59	8000 62216 ✓	1			1	Rosetta di rasamento	Thrust washer
60	8000 60460 ✓	1			1	Coppia ingranaggi trasm. primaria	Set of matched primary





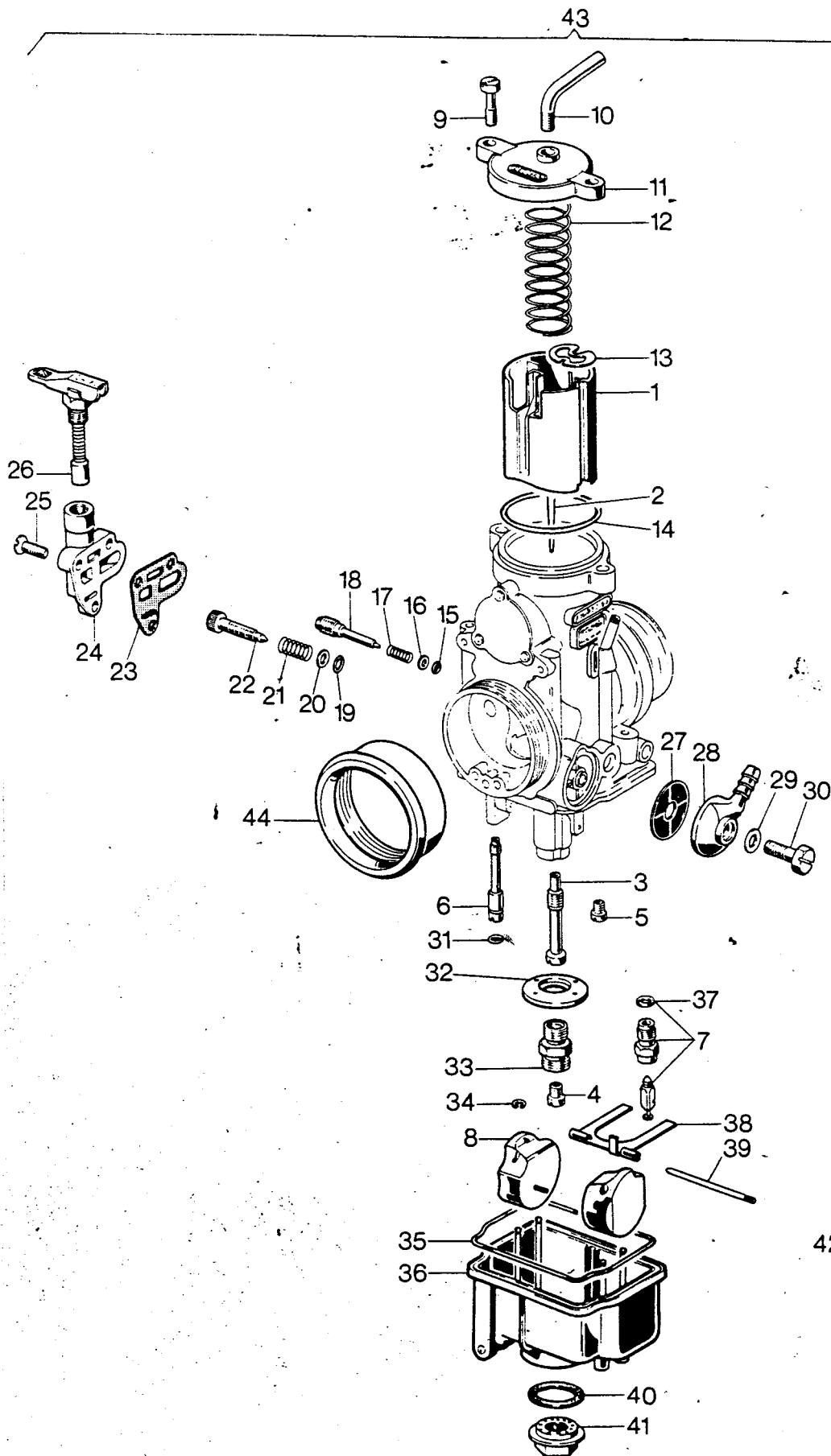
*Per beides kombiniert
verwenden*

ACCENSIONE Ignition

TAVOLA / Drawing

7

FIG.	CODICE RICAMBIO Sparepart number	QUANTITÀ - Quantity				DESCRIZIONE	Description
		510	510	510	510		
		TC	TE	WXE	WMX		
<i>Neu</i>	1 16 15 381-01 ✓ <i>68904</i>	1	1	1	1	Bobina compl.	Ignitioncontrol compl.
<i>10</i>	2 8000 59964 ✓	1	1	1	1	Dado M14	Nut
<i>Neu X</i>	3 16 15 108-01 ✓ <i>68902</i>	1	1	1	1	Alternatore compl.	Magneto compl.
<i>5</i>	4 16 15 382-01 ✓	1	1	1	1	Cappuccio candela	Sparkplugcap
	5 8000 60559 ✓	1	1	1	1	Coperchio accensione	Magnetocover
	6 60N10 2512 ✓	3	3	3	3	Vite M6x35	Screw
	7 8000 36137 ✓	3	3	3 ²	3	Rosetta	Washer
<i>3</i>	8 60N10 7331 ✓	3	3	3	3	Vite M5x22	Screw
	9 8000 61270 ✓	1	1	1	1	Distanziale	Spacer
	10 16 15 383-01 ✓	1	1	1	1	Candela	Spark <i>C7E</i>
	11 60N10 1091 ✓	2	2	2	2	Vite M6x45	Screw
	12 60N1 15193 ✓	2	2	2	2	Dado M6	Nut
	13 60N1 15504 ✓	2	2	2	2	Rosetta	Washer
<i>50</i>	14 16 15 275-01 ✓	1	1	1	1	Guarnizione	Gasket



CARBURATORE

Carburettor

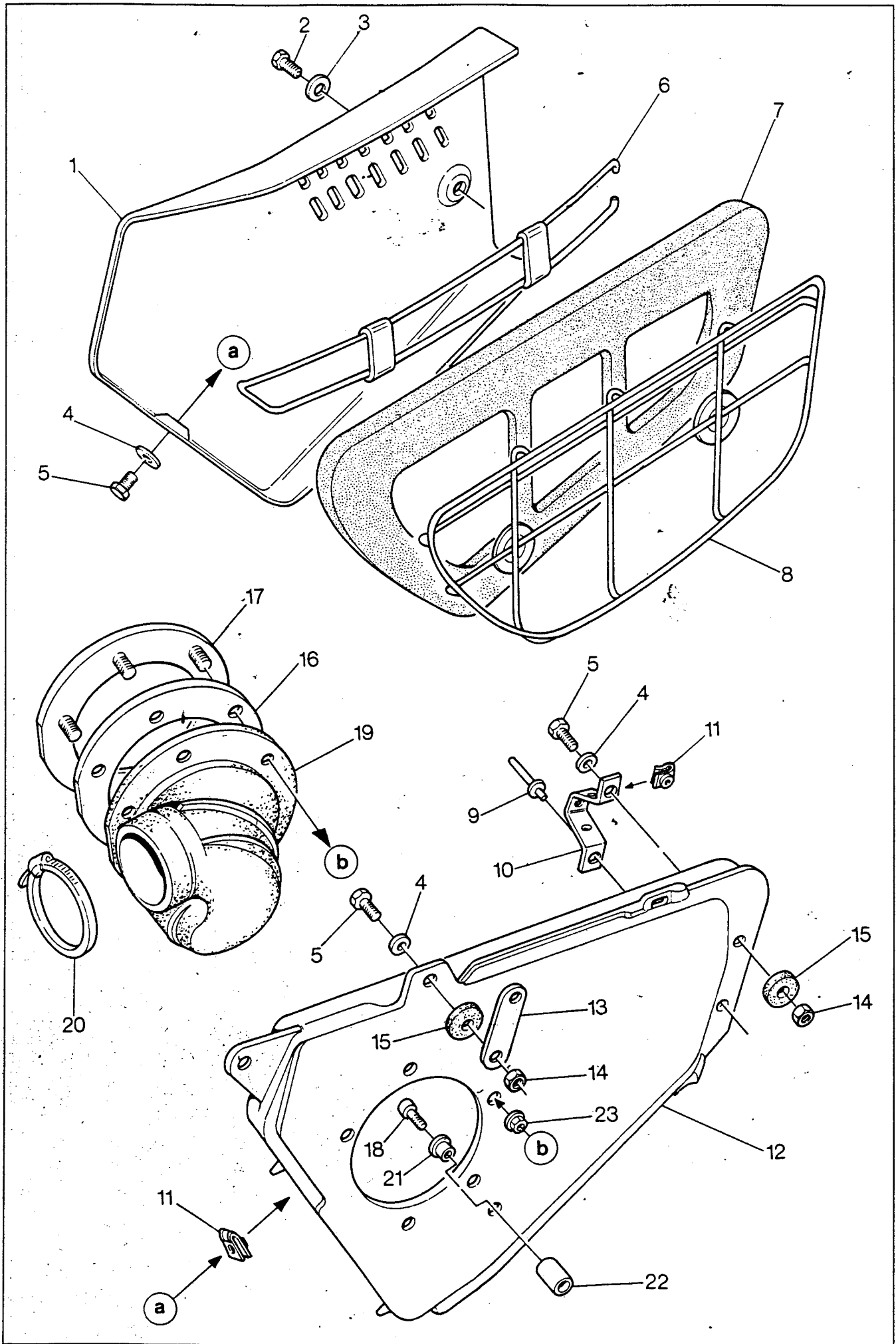
TAVOLA / Drawing

8

FIG.	CODICE RICAMBIO Sparepart number	QUANTITÀ - Quantity				DESCRIZIONE	Description
		510	510	510	510		
		TC	TE	WXE	WMX		
1	8000 60479	1	1	1	1	Valvola gas da 50	Throttle 50
2	80PO 27910	1	1	1	1	Spillo conico K32	Needle valve
3	80AO 24058	1	1	1	1	Polverizzatore 265 AB	Atomizer
4	80U0 12041	1	1	1	1	Getto massimo 170	Main jet
5	8DD00 5761	1	1	1	1	Getto minimo da 52	Idling jet
6	80AO 12032	1	1	1	1	Getto avviamento da 60	Idling jet
7	8000 33109	1	1	1	1	Valvola a spillo 300	Throttle valve
8	8000 29665	2	2	2	2	Galleggiante g. 3,5	Float
9	8000 23981	2	2	2	2	Vite	Screw
10	8000 60503	1	1	1	1	Tubetto	Tube
11	8000 60480	1	1	1	1	Coperchio	Cover
12	8000 60481	1	1	1	1	Molla	Spring
13	8000 23979	1	1	1	1	Fermaglio	Retainer
14	*	1	1	1	1	Guarnizione	Gasket
15	*	1	1	1	1	Guarnizione	Gasket
16	8000 23985	1	1	1	1	Rosetta piana	Flat washer
17	8000 12034	1	1	1	1	Molla	Spring
18	8000 12033	1	1	1	1	Vite regolazione minimo	Screw
19	*	1	1	1	1	Guarnizione	Gasket
20	8000 23983	1	1	1	1	Rosetta piana	Flat washer
21	8000 12030	1	1	1	1	Molla	Spring
22	8000 12029	1	1	1	1	Vite regol. valvola gas	Screw
23	*	1	1	1	1	Guarnizione	Gasket
24	8000 28799	1	1	1	1	Corpo dispositivo avviamento	Starter body
25	8000 28798	3	3	3	3	Vite	Screw
26	8000 28797	1	1	1	1	Dispositivo avviamento	Starting device
27	8000 12045	1	1	1	1	Filtro benzina	Fuel filter
28	8000 12046	1	1	1	1	Pipetta	Pipette
29	*	1	1	1	1	Guarnizione	Gasket
30	8000 12048	1	1	1	1	Vite	Screw
31	*	1	1	1	1	Guarnizione	Gasket
32	8000 32866	1	1	1	1	Fondello	End plate
33	8000 23990	1	1	1	1	Portagetto	Jet-holder
34	8000 32865	2	2	2	2	Fermaglio	Retainer
35	*	1	1	1	1	Guarnizione	Gasket
36	8000 60502	1	1	1	1	Vaschetta	Chamber
37	*	1	1	1	1	Guarnizione	Gasket
38	8000 60501	1	1	1	1	Bilanciere	Compensator
39	8000 32867	1	1	1	1	Perno	Bolt
40	*	1	1	1	1	Guarnizione	Gasket
41	8000 33211	1	1	1	1	Tappo	Plug
42	8000 60504	1	1	1	1	Busta guarnizioni	Gasket set
43	8000 60505	1	1	1	1	Carburatore completo PHM 40 MS	Carburettor assy
44	16 15 390-01	1	1	1	1	Cornetto presa aria	Air inlet horn

* : Contenuto nella busta guarnizioni N° 42

* : Contained in the gasket set N. 42



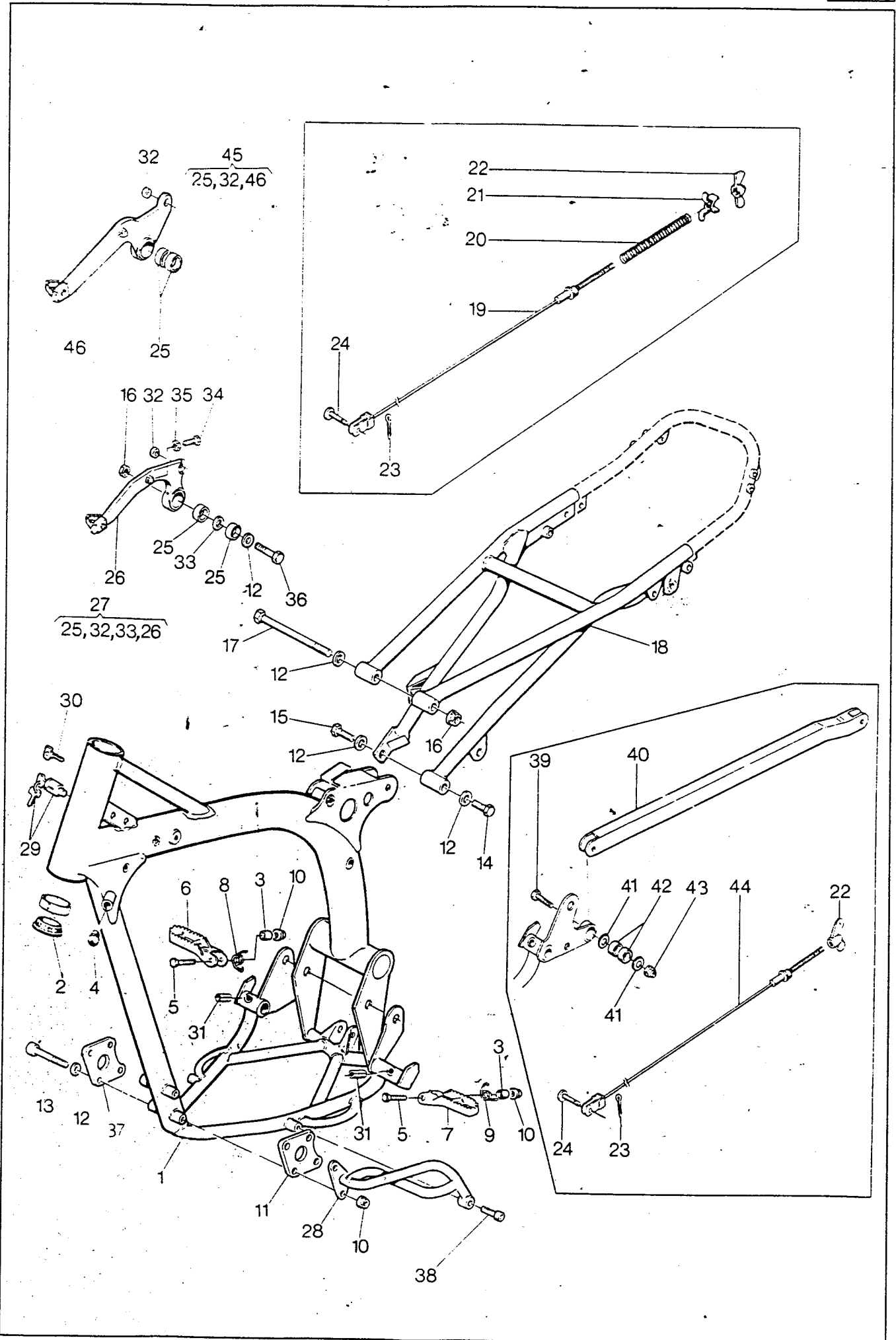
SCATOLA ASPIRAZIONE, FILTRO ARIA

Air box, air filter

12/04 / Drawing

9

FIG.	CODICE RICAMBIO Sparepart number	QUANTITÀ - Quantity				DESCRIZIONE	Description
		510	510	510	510		
		TC	TE	WXE	WMX		
1	8000 62921	1	1	1	1	Coperchio	Cover
2	60N10 1079	1	1	1	1	Vite M6x16	Screw
3	15 13 709-01	1	1	1	1	Rosetta piana	Flat washer
4	15 13 734-01	3	3	3	3	Rosetta piana	Flat washer
5	60N10 1081	3	3	3	3	Vite M6x20	Screw
6	15 15 038-01	1	1	1	1	Staffa	Stirrup
7	15 14 171-01	1	1	1	1	Filtro aria	Air filter
8	15 14 172-01	1	1	1	1	Gabbia filtro	Cleaner cage
9	8000 61345	1	1	1	1	Rivetto	Rivet
10	15 15 037-01	1	1	1	1	Piastrina	Plate
11	8000 46893	2	2	2	2	Dado	Nut
12	8000 62920	1	1	1	1	Scatola filtro	Filter case
13	15 15 803-01	1	1	1	1	Piastrina	Plate
14	8000 61313	2	2	2	2	Dado M6	Nut
15	15 18 121-01	2	2	2	2	Gommino	Grommet
16	8000 63886	1	1	1	1	Protezione	Guard
17	8000 62792	1	1	1	1	Anello di fissaggio	Stop ring
18	60N10 2511	1	1	1	1	Vite M6x30	Screw
19	8000 62762		1			Raccordo	Union
	8000 62763	1		1	1	Raccordo.	Union
20	8000 37906	1	1	1	1	Fascetta	Clamp
21	8000 45495	1	1	1	1	Bussola	Flangebushing
22	8000 64166	1	1	1	1	Distanziale	Spacer
23	8000 41512	1	1	1	1	Dado M6	Nut



TELAIO, COMANDO FRENO POSTERIORE

Frame, rear brake control

TRACIA / Drawing

10

FIG.	CODICE RICAMBIO Sparepart number	QUANTITÀ - Quantity				DESCRIZIONE	Description
		510	510	510	510		
		TC	TE	WXE	WMX		
1	8000 63342 ✓		1			Telaio	Frame
	8000 63364	1				Telaio	Frame
	8000 65280			1		Telaio	Frame
	8000 65557				1	Telaio	Frame
2	15 13 070-01 ✓	2	2	2	2	Cuscinetto	Bearing
3	15 13 617-01 ✓	2	2	2	2	Distanziale	Spacer
4	15 19 537-02	2	2	2	2	Tappo	Plug
	15 19 537-01	2			2	Tappo	Plug
5	60N10 1153 ✓	2	2	2	2	Vite M8x55	Screw
6	15 13 152-01 ✓	1	1	1	1	Appoggiapiede destro	Footpeg, right
7	15 13 156-01 ✓	1	1	1	1	Appoggiapiede sinistro	Footpeg, left
8	15 13 158-01 ✓	1	1	1	1	Molla destra	Spring, right
9	15 13 159-01 ✓	1	1	1	1	Molla sinistra	Spring, left
10	8000 40720 ✓	6	6	6	6	Dado M8	Nut
11	15 11 012-01 ✓	1	1	1	1	Piastra sinistra montaggio motore	Engine mountingplate, left
12	60N1 15567 ✓	9	9	9	9	Rosetta piana	Flat washer
13	8000 61357	4	4	4	4	Vite M8x105	Screw
14	8000 60860 ✓	1	1	1	1	Vite M8X50	Screw
15	60N10 1140 ✓	1	1	1	1	Vite M8X20	Screw
16	8000 45498 ✓	1	1	1	1	Dado M8	Nut
17	8000 60857 ✓	1	1	1	1	Vite M8X130	Screw
18	8000 63021		1	1		Telaio posteriore	Rear frame
	8000 63380	1			1	Telaio posteriore	Rear frame
19	8000 62330 ✓		1	1		Cavo freno	Brakewire
20	15 16 898-01 ✓		1	1		Molla	Spring
21	15 16 897-01 ✓		1	1		Piastrina di sicurezza	Securingplate, brakewire
22	15 15 554-01 ✓	1	1	1	1	Dado ad alette	Wingnut
23	60N1 20066 ✓	1	1	1	1	Copiglia	Pin
24	15 16 289-01 ✓	1	1	1	1	Perno	Bolt
25	8000 60478 ✓	2	2	2	2	Cuscinetto Ø8xØ22x7	Bearing
27	8000 62414 ✓		1	1		Pedale freno completo	Brakepedal, compl.
28	8000 62326 ✓		1	1		Protezione	Guard
29	8000 43391 ✓		1	1		Serratura antifurto	Lock
30	8000 35531		1	1		Chiave grezza	Raw key
31	60N1 55292		2	2		Perno	Bolt
32	15 15 525-01 ✓	1	1	1	1	Bussola	Flangebushing
33	8000 62442 ✓		1	1		Distanziale	Spacer
34	60N10 1079		1	1		Vite M6x16	Screw
35	8000 61313 ✓		1	1		Dado M6	Nut
36	60N10 1144 ✓	1	1	1	1	Vite M8x30	Screw
37	15 11 148-01 ✓	1	1	1	1	Piastra destra	Rear plate
38	60N10 7350 ✓		1	1		Vite	Screw
39	60N10 1085 ✓	1			1	Vite M6x30	Screw
40	15 15 511-01	1			1	Tirante	Tie rod
41	80000 6385	2			2	Rosetta piana	Flat washer
42	8000 61353 ✓	2			2	Cuscinetto Ø6xØ19x6	Bearing
43	8000 40719	1			1	Dado M6	Nut
44	15 11 303-01 ✓	1			1	Tirante	Tie rod
45	15 15 510-01 ✓	1			1	Pedale freno completo	Brakepedal, compl.

SOSPENSIONE ANTERIORE (Mod. TE-WXE)

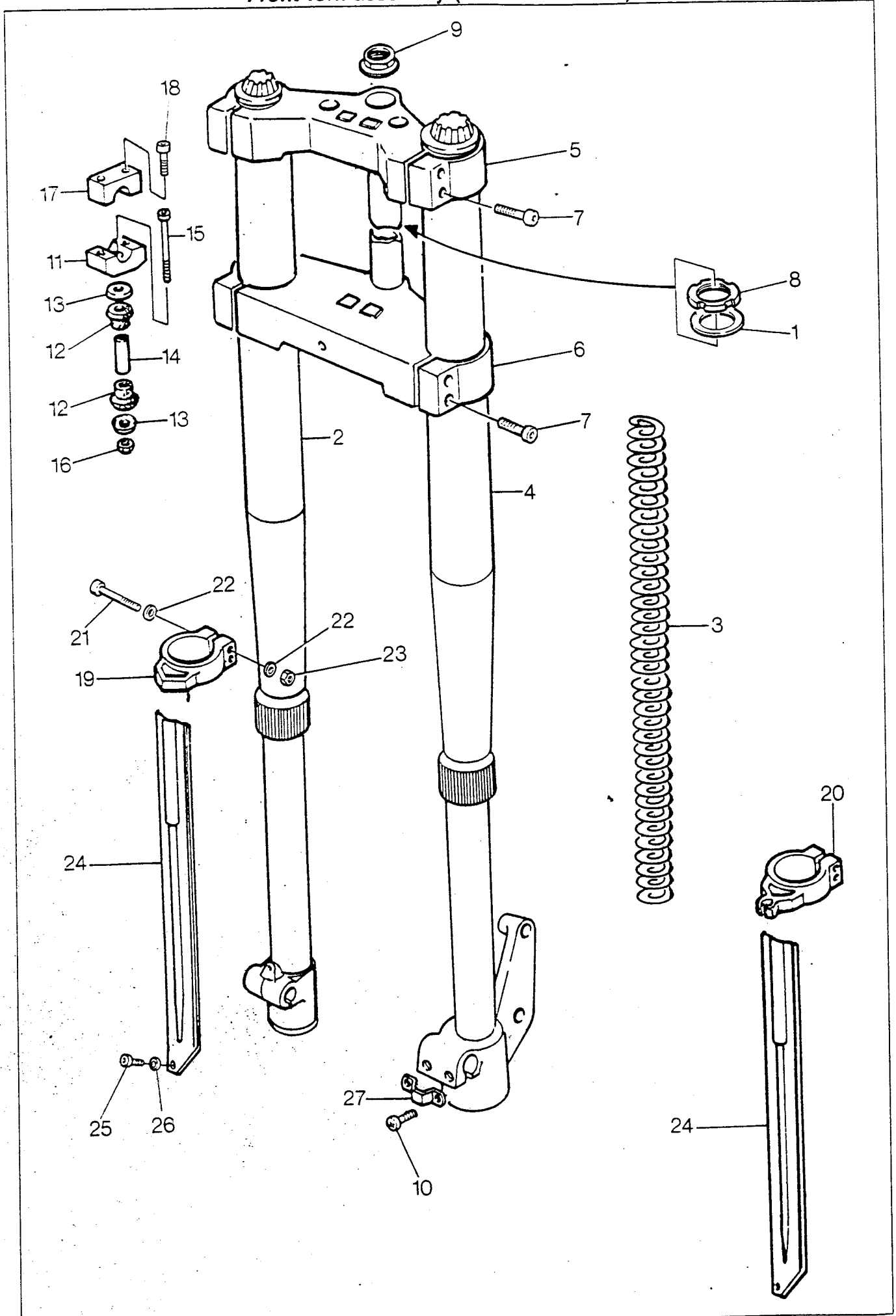
Front fork assembly (TE-WXE models)

TAVOLA - Drawing

11

FIG.	CODICE RICAMBIO Sparepart number	QUANTITÀ - Quantity				DESCRIZIONE	Description
		510	510	510	510		
		TC	TE	WXE	WMX		
10 1	8000 65503 ✓		2	2		Rosetta di rasamento	Thrust washer
2	60N1 15568 ✓		4	4		Rosetta piana	Flat washer
3	8000 65351 ✓ WP		2	2		Molla superiore	Spring
4	8000 65350 ✓ WP		2	2		Molla inferiore	Spring
5	15 12 472-01 ✓		1	1		Testa di sterzo	Upper bracket
6	8000 60802 ✓		1	1		Base di sterzo con perno	Stem with pin lower bracket
7	60N10 2558 ✓ IV		8	8		Vite M8x35	Screw
8	15 12 327-01 ✓		1	1		Ghiera reg. cuscinetti	Grooved nut
9	15 12 329-01 ✓		1	1		Dado	Nut
11	8000 53150 ✓		2	2		Mozzetto inferiore	Lower clamp
20 12	8000 60233 ✓		4	4		Gommino	Grommet
13	8000 60234 ✓		4	4		Rosetta piana	Flat washer
14	8000 53155 ✓		2	2		Distanziale	Spacer
15	8000 53157 ✓		2	2		Vite	Screw
16	8000 61314 ✓ H		2	2		Dado M10	Nut <i>nut M10</i>
17	8000 53151 ✓		2	2		Mozzetto superiore	Upper clamp
18	60N10 2556		4	4		Vite M8x25	Screw
19	60N10 2559		2	2		Vite M8x40	Screw
20	80B0 56003 ✓		1	1		Guida protezione destra	R. guide
21	80B0 56004 ✓		1	1		Guida protezione sinistra	L. guide
22	60N10 1061 ✓		4	4		Vite M5x40	Screw
23	60N1 15503 ✓		4	4		Rosetta piana	Flat washer
24	60N1 15192 ✓		4	4		Dado M5	Nut
25	80B0 56005 ✓		2	2		Protezione steli	Guard
26	60N10 3209 ✓		2	2		Vite M5x12	Screw
27	8000 54397 ✓		1	1		Piastrina	Plate
28	60N10 2510 ✓		2	2		Vite M6x25	Screw
29	8000 60764 ✓ WP		1	1		Gamba destra completa	R. fork assy
30	8000 60765 ✓ WP		1	1		Gamba sinistra completa	L. fork leg assy

SOSPENSIONE ANTERIORE (Mod. TC-WMX)
Front fork assembly (TC-WMX models)



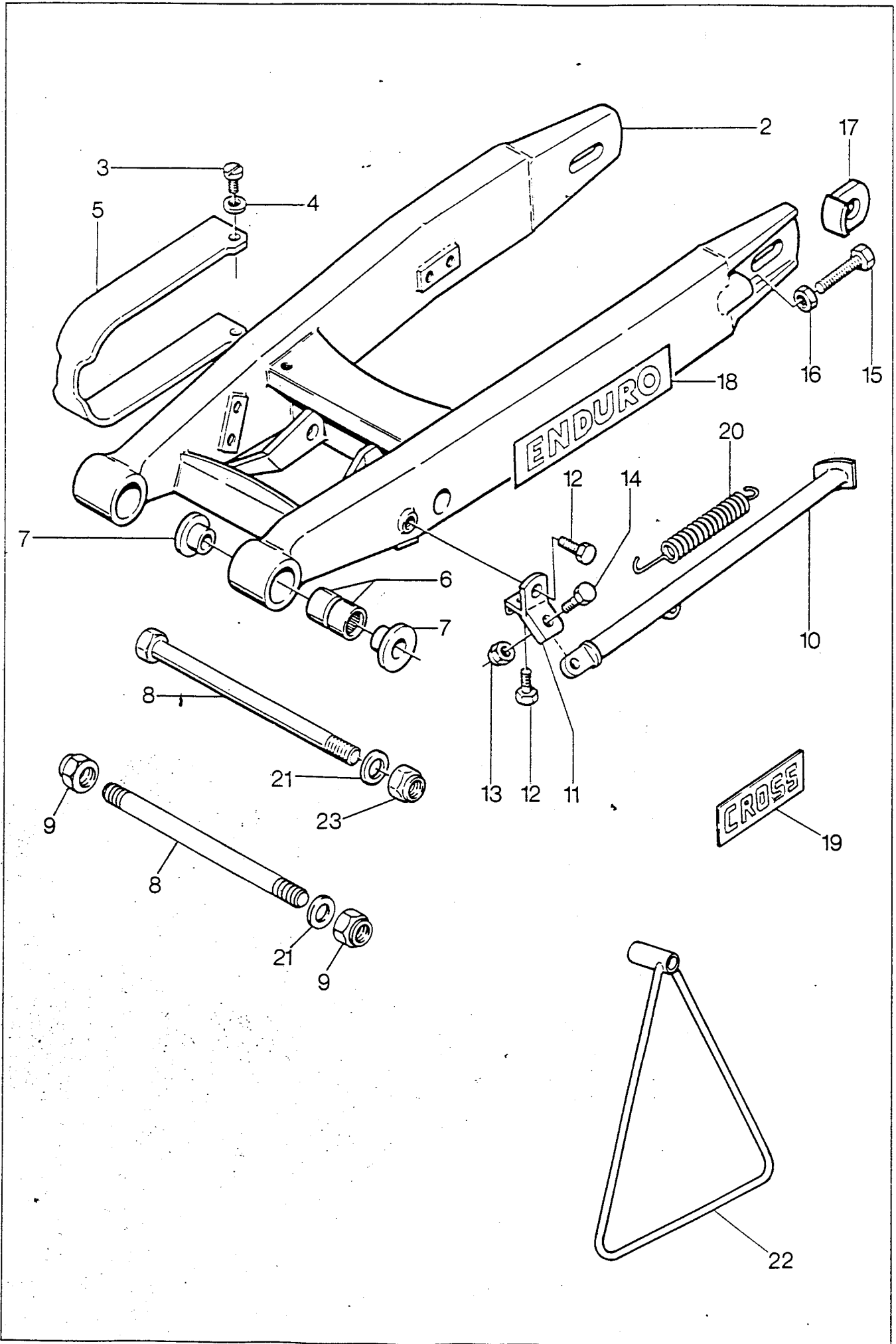
SOSPENSIONE ANTERIORE (Mod. TC-WMX) Front fork assembly (TC-WMX models)

TAVOLA / Drawing

11A

FIG.	CODICE RICAMBIO Sparepart number	QUANTITÀ - Quantity				DESCRIZIONE	Description
		510	510	510	510		
		TC	TE	WXE	WMX		
1	15 12 328-02	1			1	Rondella di rasamento	Thrust washer
2	8000 60738	1			1	Gamba destra completa	R. fork assy
3	8000 65355	2			2	Molla	Spring
4	8000 60739	1			1	Gamba sinistra completa	L. fork leg assy
5	15 12 472-01	1			1	Testa di sterzo	Upper bracket
6	8000 60789	1			1	Base di sterzo con perno	Stem with pin lower bracke:
7	60N10 2559	8			8	Vite M8x40	Screw
8	15 12 327-01	1			1	Ghiera reg. cuscinetti	Grooved nut
9	15 12 329-01	1			1	Tappo	Plug
10	60N10 2510	2			2	Vite M6x25	Screw
11	8000 53150	2			2	Mozzetto inferiore	Lower clamp
12	8000 60233	4			4	Gommino	Grommet
13	8000 60234	4			4	Rosetta piana	Flat washer
14	8000 53155	2			2	Distanziale	Spacer
15	8000 53157	2			2	Vite	Screw
16	8000 61314	2			2	Dado M10	Nut
17	8000 53151	2			2	Mozzetto superiore	Upper clamp
18	60N10 2556	4			4	Vite M8x25	Screw
19	80B0 56003	1			1	Guida protezione destra	R. guide
20	80B0 56004	1			1	Guida protezione sinistra	L. guide
21	60N10 1061	4			4	Vite M5x40	Screw
22	60N1 15503	4			4	Rosetta piana -	Flat washer
23	60N1 15192	4			4	Dado M5	Nut
24	80B0 56005	2			2	Protezione steli	Guard
25	60N10 3209	2			2	Vite M5x12	Screw
26	60N1 15503	2			2	Rosetta piana	Flat washer
27	8000 54397	1			1	Piastrina	Plate

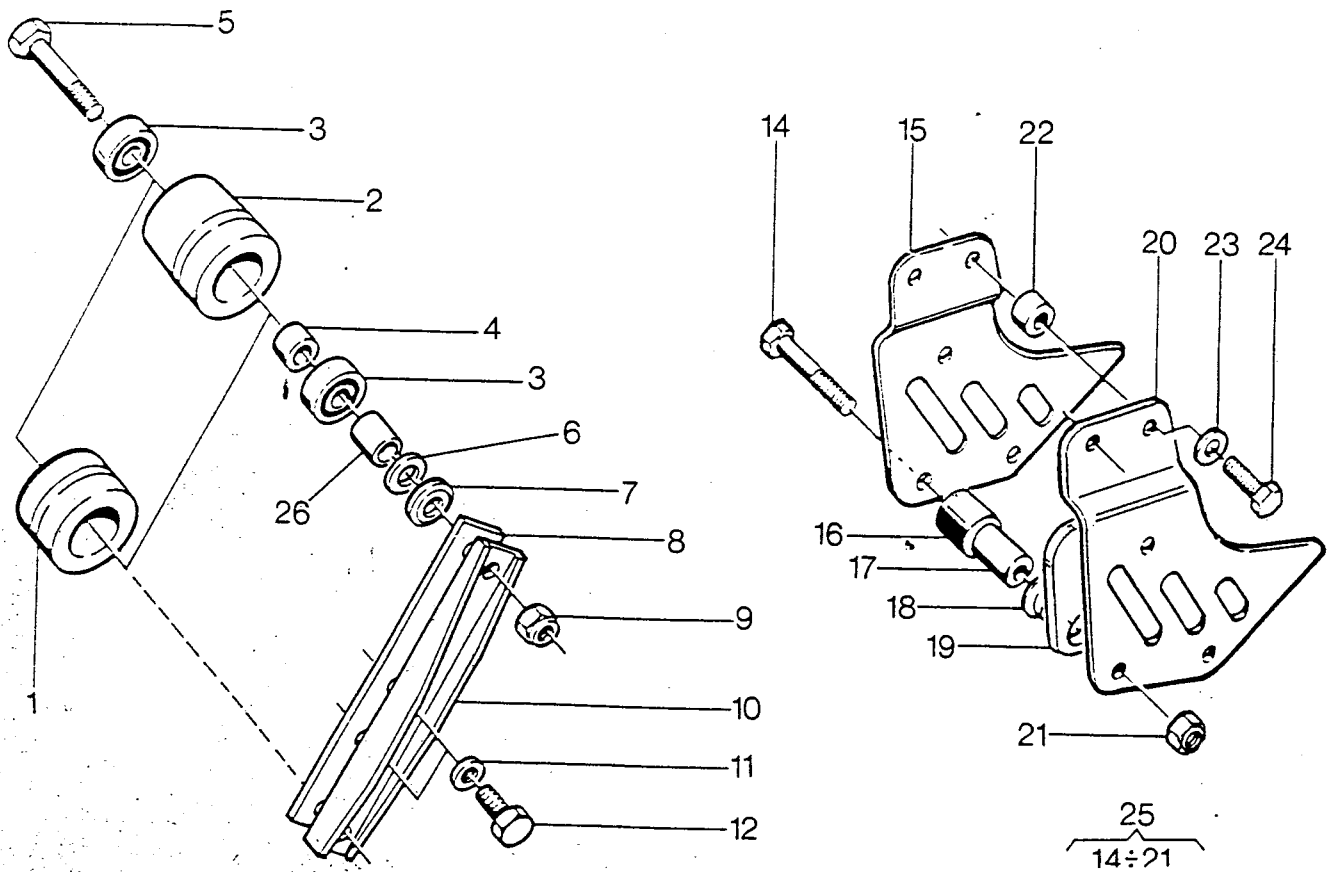
FORCELLONE
Swing arm



FORCELLONE Swing arm

FIG.	CODICE RICAMBIO Sparepart number	QUANTITÀ - Quantity				DESCRIZIONE	Description
		510	510	510	510		
		TC	TE	WXE	WMX		
	2 15 11 496-01	1			1	Forcellone posteriore	Rear fork
	15 11 496-02 ✓		1	1		Forcellone posteriore	Rear fork
	3 60N10 2930 ✓	2	2	2	2	Vite M6x12	Screw
	4 8000 56359 ✓	2	2	2	2	Rosetta piana	Flat washer
20	5 15 11 554-01 ✓	1	1	1	1	Pattino catena	Protection
50	6 15 11 277-01 ✓	4	4	4	4	Cuscinetto a rullini	Needle bearing
	7 15 11 278-01 ✓	4	4	4	4	Bussola	Distance
10	8 8000 62253 ✓		1	1		Perno	Bolt
	15 11 248-01	1			1	Perno	Bolt
20	9 15 11 249-01 ✓	2			2	Dado autobloccante	Locking nut
	10 15 10 604-04 ✓		1	1		Gamba laterale	Side stand
	11 15 15 553-02 ✓		1	1		Attacco gamba	Attachment
	12 60N10 1140 ✓		2	2		Vite M8x20	Screw
	13 8000 40720 ✓		1	1		Dado autobloccante	Locking nut
	14 60N10 1144 ✓		1	1		Vite M8x30	Screw
	15 8000 61121 ✓	2	2	2	2	Vite M8x45	Screw
	16 8000 27192 ✓	2	2	2	2	Dado M8	Nut
	17 15 16 867-01 ✓	2	2	2	2	Rosetta di regolazione	Adjustment washer
	18 8000 62343 ✓		2	2		Adesivo «ENDURO»	«ENDURO» Decal
	19 8000 63436 ✓	2			2	Adesivo «CROSS»	«CROSS» decal
20	20 15 10 442-02 ✓		1	1		Molla	Spring
20	21 8000 15992 ✓	1	1	1	1	Rosetta piana	Flat washer
	22 8000 60341 ✓	1			1	Gamba laterale	Side stand
20	23 15 11 249-01 ✓		1	1		Dado autobloccante	Locking nut

GUIDACATENA (Mod. TC-WMX)
Chain guide (TC-WMX models)



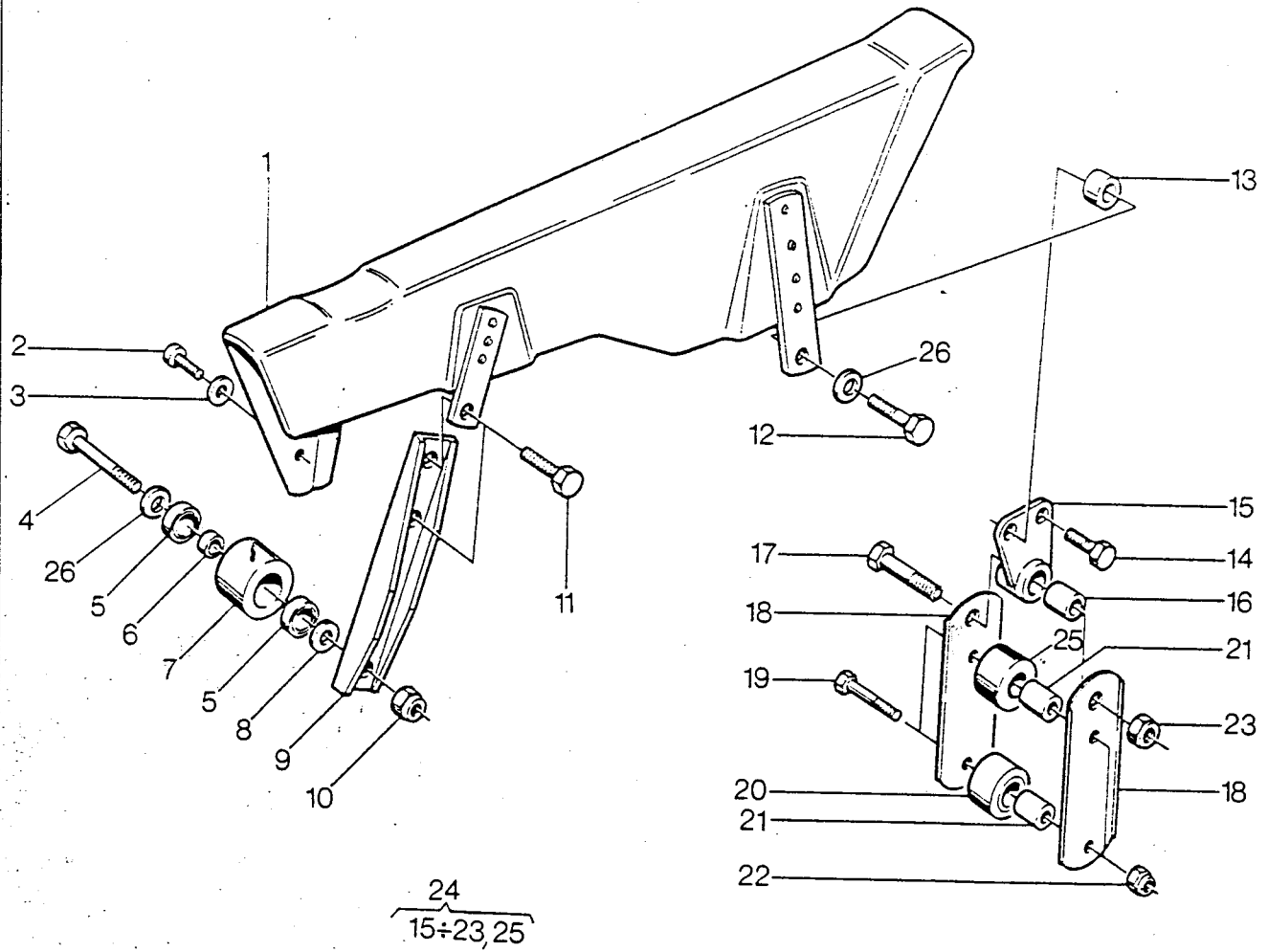
GUIDACATENA (Mod. TC-WMX)

Chain guide (TC-WMX models)

TAVOLA / Drawing

13

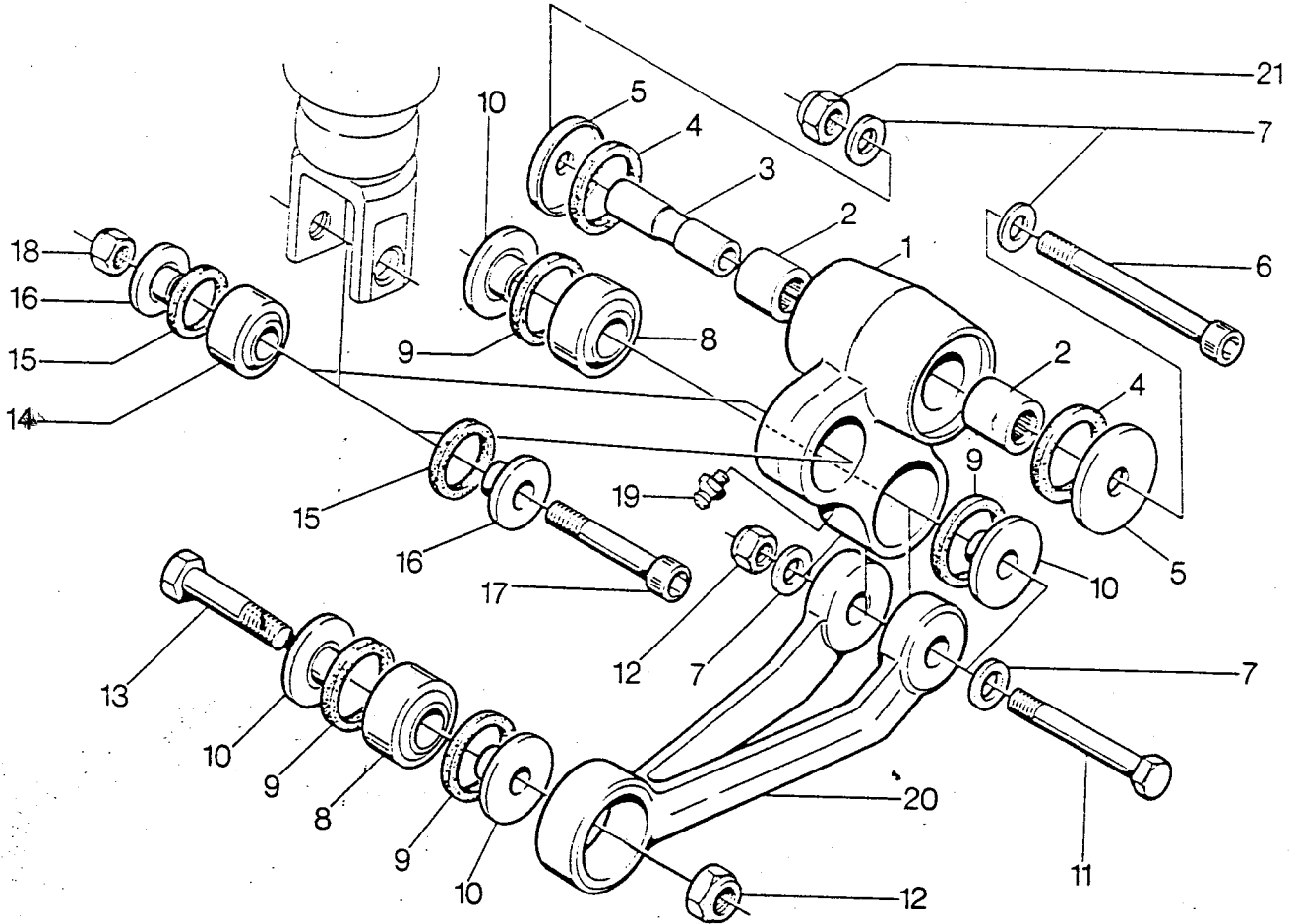
FIG.	CODICE RICAMBIO Sparepart number	QUANTITÀ - Quantity				DESCRIZIONE	Description
		510	510	510	510		
		TC	TE	WXE	WMX		
1	15 11 310-01 ✓	1			1	Rullo catena	Chain roller
2	15 11 310-02 ✓	1			1	Rullo catena	Chain roller
3	8000 60478 ✓	4			4	Cuscinetto a sfere Ø8x22x7	Ball bearing
4	15 11 311-01 ✓	2			2	Distanziale	Spacer
5	60N10 1148 ✓	2			2	Vite M8x40	Screw
6	80000 6238 ✓	2			2	Rosetta piana	Flat washer
7	15 11 313-02 ✓	2			2	Rosetta guidacatena	Washer, chain guide
8	15 11 452-01 ✓	1			1	Piastra usura	Wear plate
9	8000 45498 ✓	2			2	Dado M8	Nut
10	15 11 312-02 ✓	1			1	Piastra di montaggio	Mounting plate
11	8000 15567 ✓	2			2	Rosetta piana	Flat washer
12	60N10 1140 ✓	2			2	Vite M8X20	Screw
14	60N10 1091 ✓	3			3	Vite M6x45	Screw
16	15 11 317-01 ✓	3			3	Rullo guidacatena	Chain guide roller
17	15 11 286-01 ✓	3			3	Distanziale	Spacer
18	15 11 313-01 ✓	6			6	Rosetta guidacatena	Washer chain guide
19	15 11 288-01 ✓	2			2	Piastra usura	Wear plate
21	8000 40719 ✓	3			3	Dado M6	Nut
22	15 15 424-01 ✓	2			2	Distanziale	Spacer
23	60N1 15567 ✓	2			2	Rosetta piana	Flat washer
24	60N10 1148 ✓	2			2	Vite M8x30	Screw
25	15 11 447-01 ✓	1			1	Guidacatena completo	Chain guide compl.
26	15 11 453-01 ✓	2			2	Distanziale	Spacer



COPRICATENA (Mod. TE-WXE) Chain guard (TE-WXE models)

FIG.	CODICE RICAMBIO Sparepart number	QUANTITÀ - Quantity				DESCRIZIONE	Description
		510	510	510	510		
		TC	TE	WXE	WMX		
1	15 18 227-02 ✓		1	1		Guidacatena	Chain guide
2	60N10 1076 ✓		1	1		Vite M6x10	Screw
3	80000 6385 ✓		1	1		Rosetta piana	Flat washer
4	60N10 1148 ✓		1	1		Vite M8x40	Screw
5	8000 60478 ✓		2	2		Cuscinetto Ø8xØ22x7	Bearing
6	15 11 311-01 ✓		1	1		Distanziale	Spacer
7	15 11 310-01 ✓		1	1		Rullo catena	Chain roller
8	80000 6238 ✓		1	1		Rosetta piana	Flat washer
9	15 11 395-02 ✓		1	1		Piastra di montaggio	Mounting plate
10	8000 45498 ✓		1	1		Dado M8	Nut
11	60N10 1140 ✓		2	2		Vite M8X20	Screw
12	60N10 1146 ✓		1	1		Vite M8x35	Screw
13	15 15 457-01 ✓		1	1		Distanziale	Spacer
14	60N10 1140 ✓		1	1		Vite M8X20	Screw
15	15 15 500-01 ✓		1	1		Piastra di montaggio	Mounting plate
16	15 15 506-01 ✓		1	1		Boccola elastica	Elastic bushing
17	60N10 1146 ✓		1	1		Vite M8x35	Screw
18	15 15 439-01 ✓		2	2		Lamiera guidacatena	Chain plate
19	60N10 1087 ✓		2	2		Vite M6x35	Screw
20	15 11 317-01 ✓		1	1		Rullo guidacatena	Chain guide roller
21	15 15 413-01 ✓		2	2		Distanziale	Distance sleeve
22	8000 61313 ✓		2	2		Dado M6	Nut
23	8000 45498 ✓		1	1		Dado M8	Nut
24	15 15 505-01 ✓		1	1		Guidacatena completo	Chain guide compl.
25	15 15 412-01 ✓		1	1		Rullo	Roll
26	60N1 15567 ✓		2	2		Rosetta	Washer

10



LEVERAGGI SOSPENSIONE POSTERIORE

Rear suspension linkage

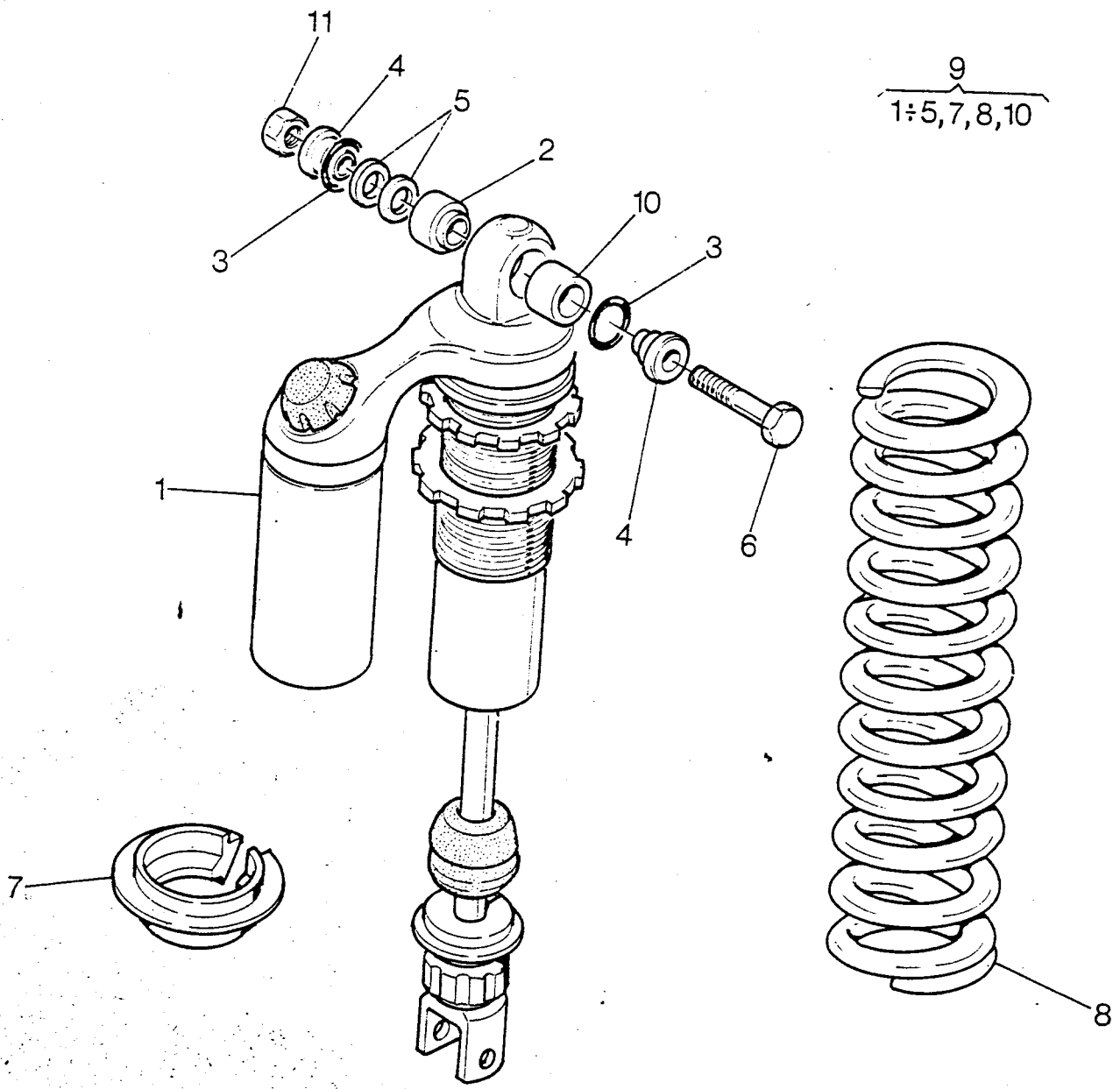
TAVOLA: Drawing

15

FIG.	CODICE RICAMBIO Sparepart number	QUANTITÀ - Quantity				DESCRIZIONE	Description
		510	510	510	510		
		TC	TE	WXE	WMX		
1	15 11 506-01 ✓	1	1	1	1	Tirante verticale	Vertical link
2	8000 64428 ✓	2	2	2	2	Cuscinetto a rullini	Needle bearing
3	15 11 398-01 ✓	1	1	1	1	Distanziale	Spacer
4	15 11 555-01 ✓	2	2	2	2	Guarnizione	Gasket
5	15 11 241-01 ✓	2	2	2	2	Scodellino	Protection washer
6	15 11 545-01 ✓	1	1	1	1	Perno M12x98	Bolt
7	8000 63437 ✓	4	4	4	4	Rosetta piana	Flat washer
8	15 11 256-01 ✓	2	2	2	2	Cuscinetto	Bearing
9	15 11 257-01 ✓	4	4	4	4	Guarnizione	Gasket
10	15 11 258-02 ✓	4	4	4	4	Bussola	Spacer
11	1511553-01 ✓	1	1	1	1	Perno M12x70	Bolt
12	8000 61122 ✓	2	2	2	2	Dado M12x1	Nut
13	15 11 244-01 ✓	1	1	1	1	Perno M12x10	Bolt
14	15 11 332-01 ✓	1	1	1	1	Cuscinetto	Bearing
15	8000 38767 ✓	2	2	2	2	Guarnizione	Gasket
16	15 11 333-02 ✓	2	2	2	2	Bussola	Spacer
17	8000 46171 ✓	1	1	1	1	Vite M10	Screw
18	60N1 15218 ✓	1	1	1	1	Dado M10	Nut
19	80000 1412 ✓	1	1	1	1	Ingrassatore	Greasing nipple
20	15 11 505-01 ✓	1	1	1	1	Tirante orizzontale	Horizontal link
21	8000 60868 ✓	1	1	1	1	Dado M12	Nut

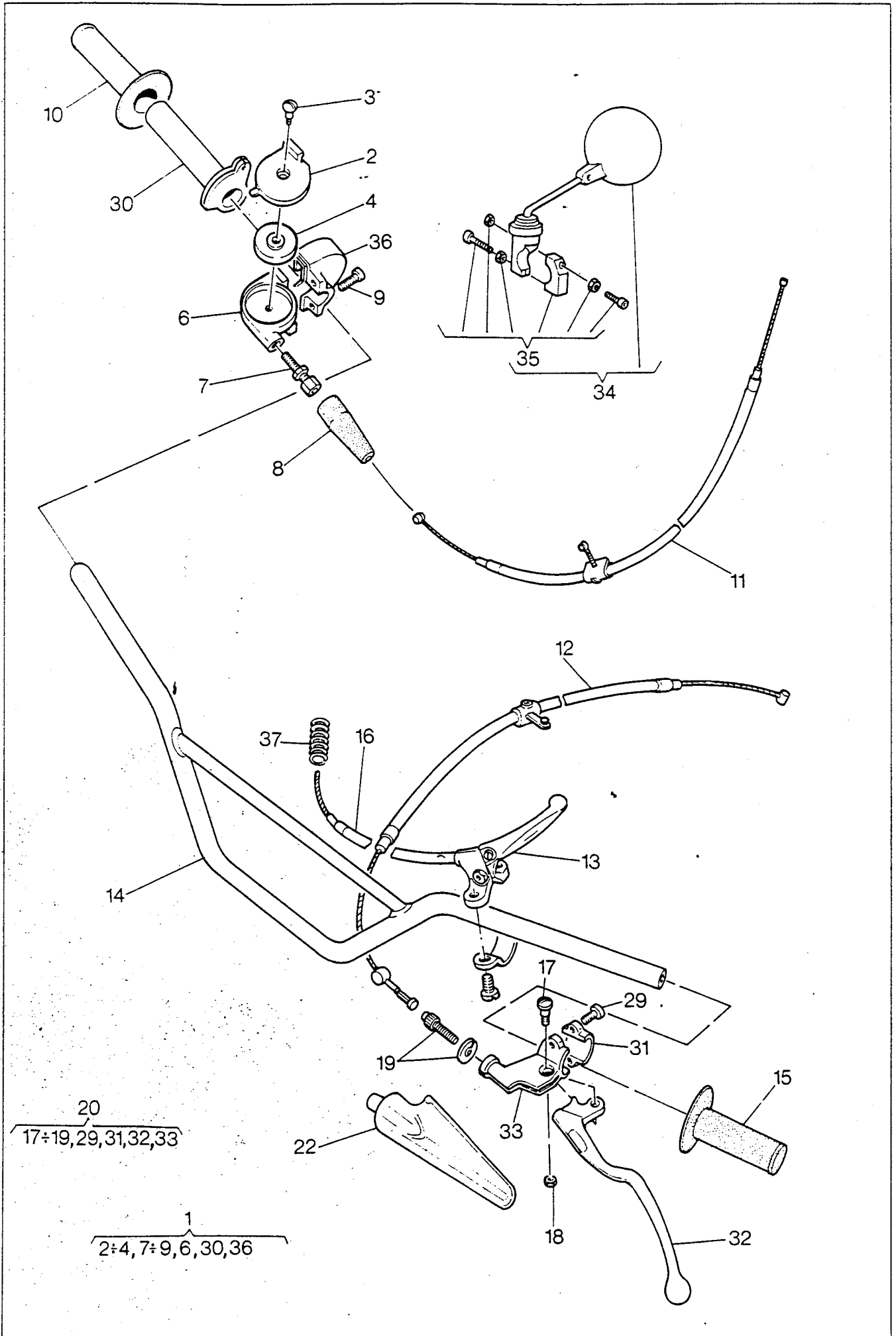
10
 20
 836-01
 536-01
 20
 536-01
 534-01

AMMORTIZZATORE
Shock absorber



AMMORTIZZATORE Shock absorber

FIG.	CODICE RICAMBIO Sparepart number	QUANTITÀ - Quantity				DESCRIZIONE	Description
		510	510	510	510		
		TC	TE	WXE	WMX		
2	8000 56361 WP	1	1	1	1	Cuscinetto a snodo sferico	Ball joint
3	8000 59084 WP	2	2	2	2	Anello OR	Oring
4	8000 56363 WP	2	2	2	2	Bussola	Spacer
5	8000 65295 WP	2	2	2	2	Rosetta	Washer
6	15 13 744-01 ✓	1	1	1	1	Vite M10x42	Screw
7	8000 56364 WP	1	1	1	1	Appoggio inferiore	Springclip
8	8000 65296 WP	1	1	1	1	Molla	Spring
	8000 65297					Molla	Spring
9	8000 60767 WP	1	1	1	1	Ammortizzatore completo	Shock absorber assy
	8000 60741					Ammortizzatore completo	Shock absorber assy
10	8000 59085 WP	2	2	2	2	Bussola	Spacer
11	8000 61314 ✓	1	1	1	1	Dado M10	Nut



MANUBRIO E COMANDI

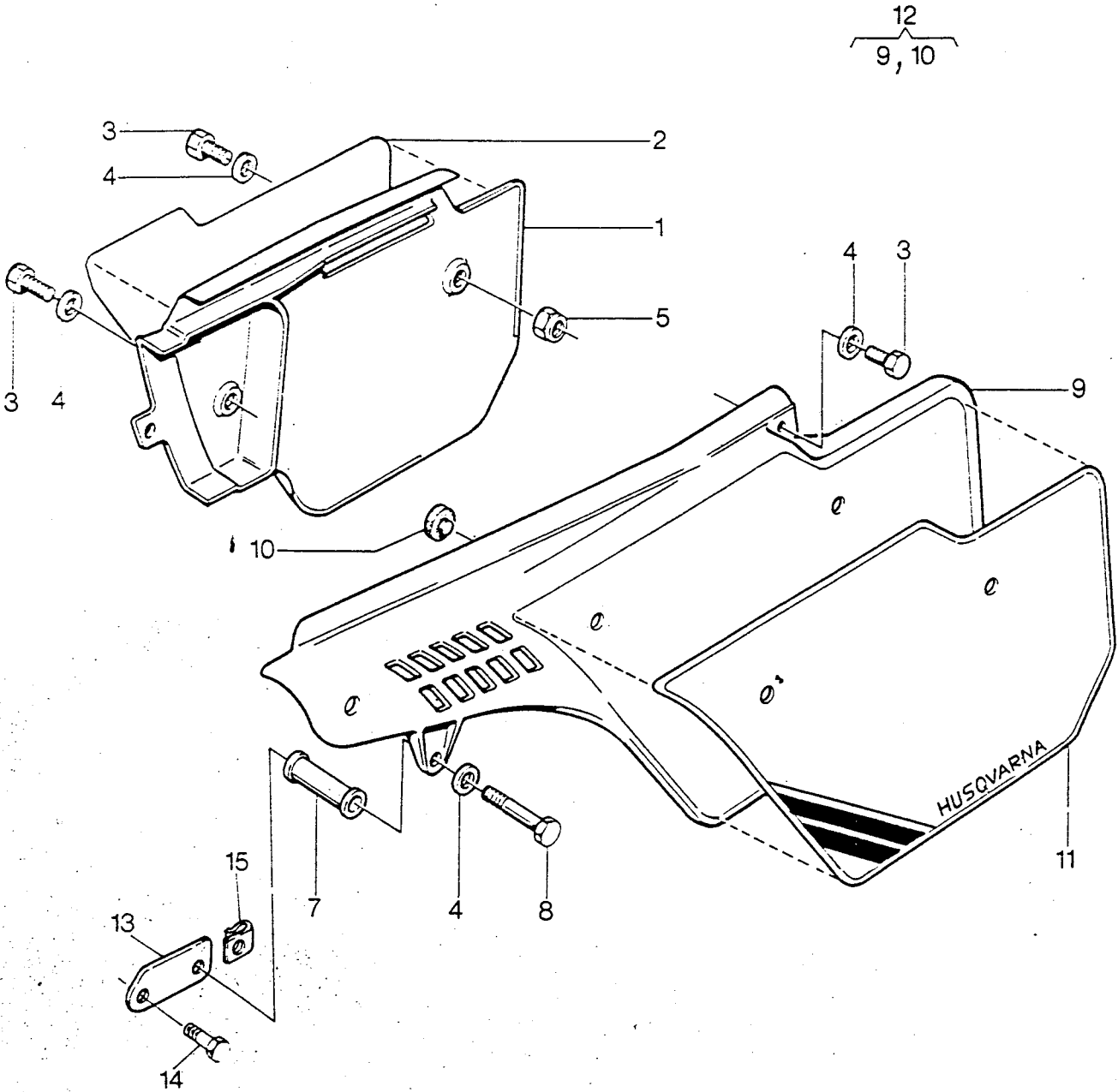
Handlebar and controls

TAVOLA / Drawing

17

FIG.	CODICE RICAMBIO Sparepart number	QUANTITÀ - Quantity				DESCRIZIONE	Description
		510	510	510	510		
		TC	TE	WXE	WMX		
1	15 15 325-01	1	1	1	1	Comando gas completo	Throttlehandle compl.
2	15 15 326-01	1	1	1	1	Coperchio	Cover
3	15 15 322-01	1	1	1	1	Vite	Screw
4	15 15 331-01	1	1	1	1	Carrucola	Pivotroller
6	15 15 330-01	1	1	1	1	Corpo anteriore	Front body
7	15 15 261-01	1	1	1	1	Gruppo registro	Adjuster
8	15 15 262-01	1	1	1	1	Cappuccio	Protection sleeve
9	20 62 329-12	2	2	2	2	Vite	Screw
10	8000 59326	1	1	1	1	Manopola destra	Rubberhandle, right
11	15 15 336-01	1	1	1	1	Trasmissione comando gas	Throttletwire
12	15 15 308-03	1	1	1	1	Trasmissione comando frizione	Declutchingwire
13	15 15 332-01	1	1	1	1	Leva decompressore compl.	Decompressionlever
14	8000 54274	1	1	1	1	Manubrio	Handlebar
15	8000 59327	1	1	1	1	Manopola sinistra	Rubberhandle, left
16	15 15 333-01	1	1	1	1	Trasmissione decompressore	Decompressionwire
17	12 13 810-01	1	1	1	1	Vite	Screw
18	25 09 316-01	1	1	1	1	Dado	Nut
19	12 13 821-01	1	1	1	1	Gruppo registro	Cableadjustingscrew
20	15 15 314-01	1	1	1	1	Com. frizione completo	Declutchinghandle compl.
22	15 13 142-01	1	1	1	1	Coprileva	Handleprotector
29	20 62 368-11	2	2	2	2	Vite	Screw
30	15 15 263-01	1	1	1	1	Manopola gas	Handle grip R.
31	15 15 313-01	1	1	1	1	Cavallo	Holder
32	15 15 315-01	1	1	1	1	Leva frizione	Clutch lever
33	15 15 312-01	1	1	1	1	Supporto	Holder
34	8000 57586		1	1		Specchio retrovisore compl.	Driving mirror assy
35	8000 55035		1	1		Gruppo di fissaggio	Fasten sel
36	15 15 280-01	1	1	1	1	Corpo posteriore	Rear body
37	8000 64805	1	1	1	1	Molla	Spring

PANNELLI LATERALI
Side panels



PANNELLI LATERALI

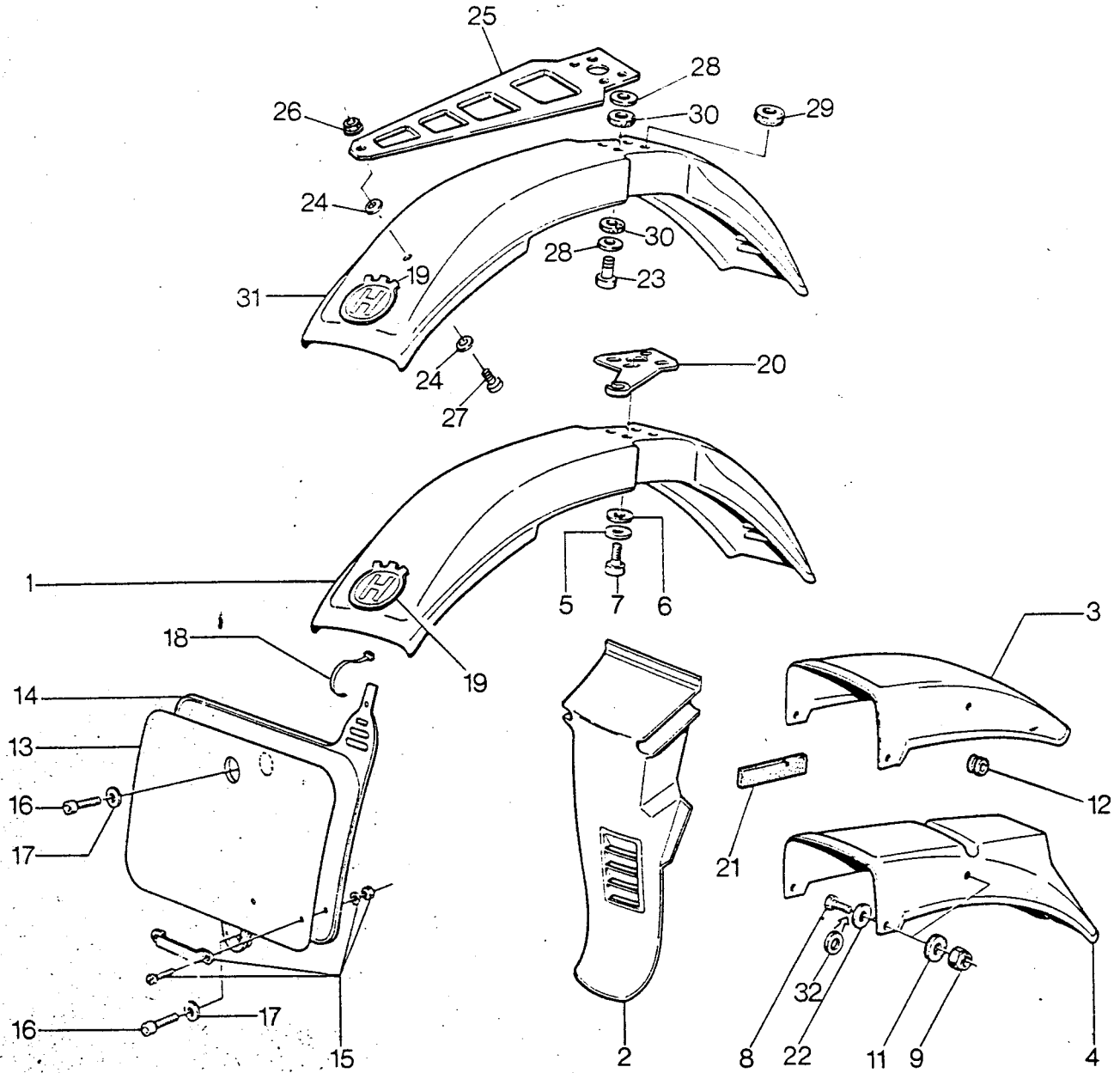
Side panels

TAVOLA / Drawing

18

FIG.	CODICE RICAMBIO Sparepart number	QUANTITÀ - Quantity				DESCRIZIONE	Description
		510	510	510	510		
		TC	TE	WXE	WMX		
1	15 15 839-01	1	1	1	1	Pannello laterale	Sidepanel right
2	8000 63143	1	1	1	1	Adesivo	Decal
3	60N10 1079	3	3	3	3	Vite M6x16	Screw
4	80000 6385	4	4	4	4	Rosetta piana	Flat washer
5	8000 40719	1	1	1	1	Dado M6	Nut
7	15 19 767-01	1	1	1	1	Distanziale	Spacer
8	60N10 1094	1	1	1	1	Vite M6x55	Screw
10	15 15 810-01	3	3	3	3	Protezione calore	Heat protector
11	8000 63142	1	1	1	1	Adesivo	Trim
12	15 15 837-01	1	1	1	1	Pannello lato sinistro	Sidepanel left
13	15 15 803-01	1	1	1	1	Piastrina	Plate
14	60N10 1078	1	1	1	1	Vite	Screw
15	8000 46893	1	1	1	1	Dado	Nut

PARAFANGHI, PORTANUMERO Fenders, number holder



*Kotflügel und Licht
passen 100% für
510 TL 87.*

PARAFANGHI, PORTANUMERO

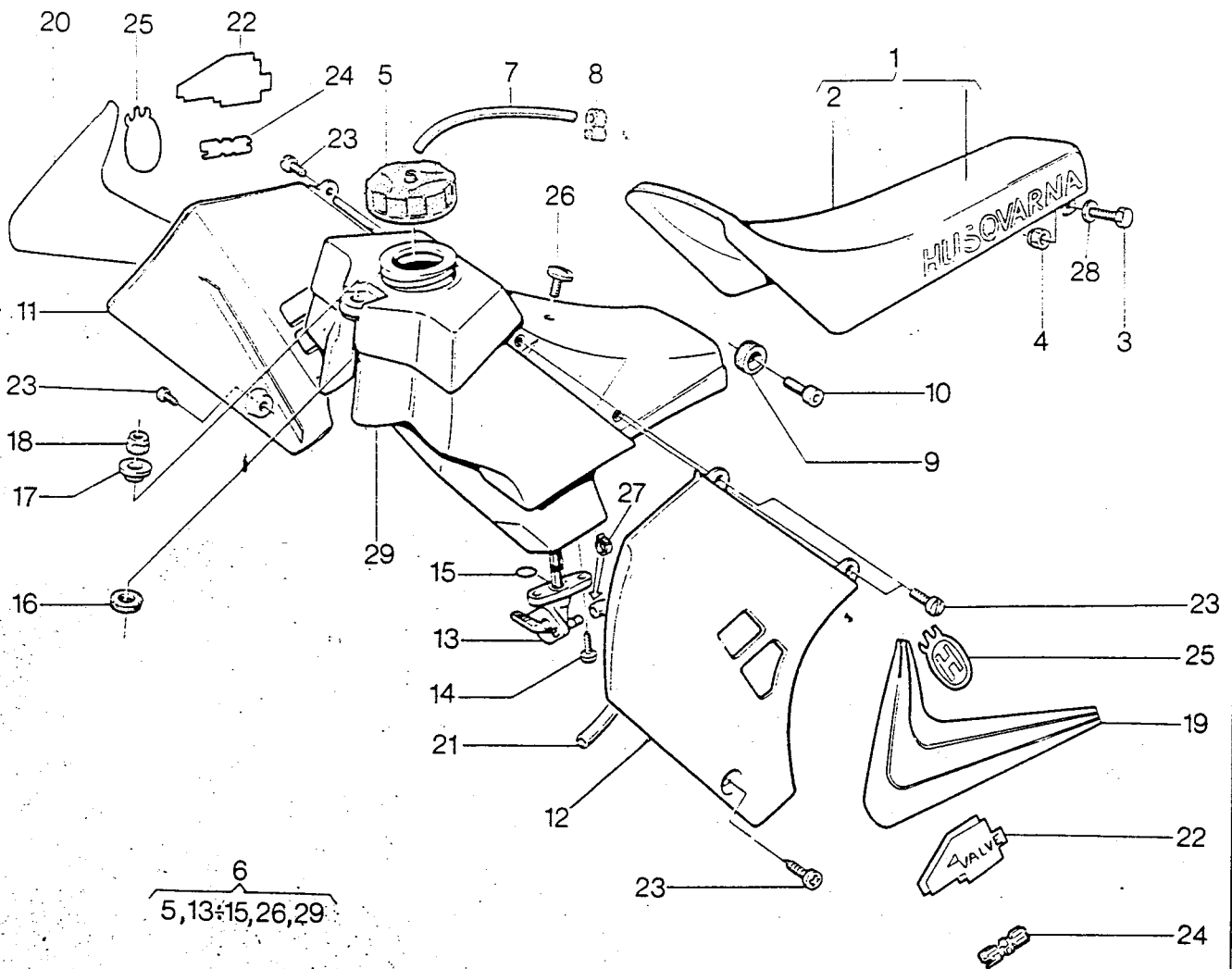
Fenders, number holder

TAVOLA / Drawing

19

FIG.	CODICE RICAMBIO Sparepart number	QUANTITÀ - Quantity				DESCRIZIONE	Description
		510	510	510	510		
		TC	TE	WXE	WMX		
1	15 18 047-02		1	1		Parafango anteriore	Front mudguard
2	15 13 746-01	1			1	Paraspruzzi	Splachshield
3	15 13 587-01	1			1	Parafango posteriore	Rear mudguard
4	15 18 194-01		1	1		Parafango posteriore	Rear mudguard
5	8000 13419		6	6		Rosetta piana	Flat washer
6	8000 30594		4	4		Rosetta in gomma	Spring washer
7	60N10 2511		4	4		Vite M6x30	Screw
8	60N10 1079		4	4		Vite M6x16	Screw
	60N10 1081	4			4	Vite M6x20	Screw
9	8000 61313	4	4	4	4	Dado M6	Nut
11	8000 30594	4	4	4	4	Rosetta in gomma	Spring washer
12	15 18 195-01		1	1		Passacavo	Grommet
13	15 17 959-01	1			1	Adesivo giallo	Decal front yellow
14	15 18 235-01	1			1	Portanumero	Number holder
16	60N10 2899	1			1	Vite M5x12	Screw
17	80000 6287	1			1	Rosetta piana	Flat washer
18	15 19 532-05	1			1	Fascetta	Clamp
19	8000 58964	1	1	1	1	Adesivo	Trim
20	8000 43739		1	1		Guida trasmissione	Cable-guide
21	15 13 596-01	1	1	1	1	Spugna adesiva	Adhesive sponge
22	60N1 15549		4	4		Rosetta piana	Flat washer
	8000 13419	4			4	Rosetta piana	Flat washer
23	60N10 2510	4			4	Vite	Screw
24	60N1 15549	2			2	Rosetta piana	Flat washer
25	8000 60166	1			1	Piastra	Plate
26	8000 40719	1			1	Dado	Nut
27	8000 60898	1			1	Vite	Screw
28	8000 13419	8			8	Rosetta piana	Flat washer
29	15 18 185-01	2			2	Gommino superiore post.	Rear upper rubber
30	8000 30594	6			6	Rosetta in gomma	Spring washer
31	15 18 051-01	1			1	Parafango anteriore	Front mudguard
32	60N1 15504		4	4		Rosetta piana	Flat washer

SELLA, SERBATOIO
Seat, gas tank



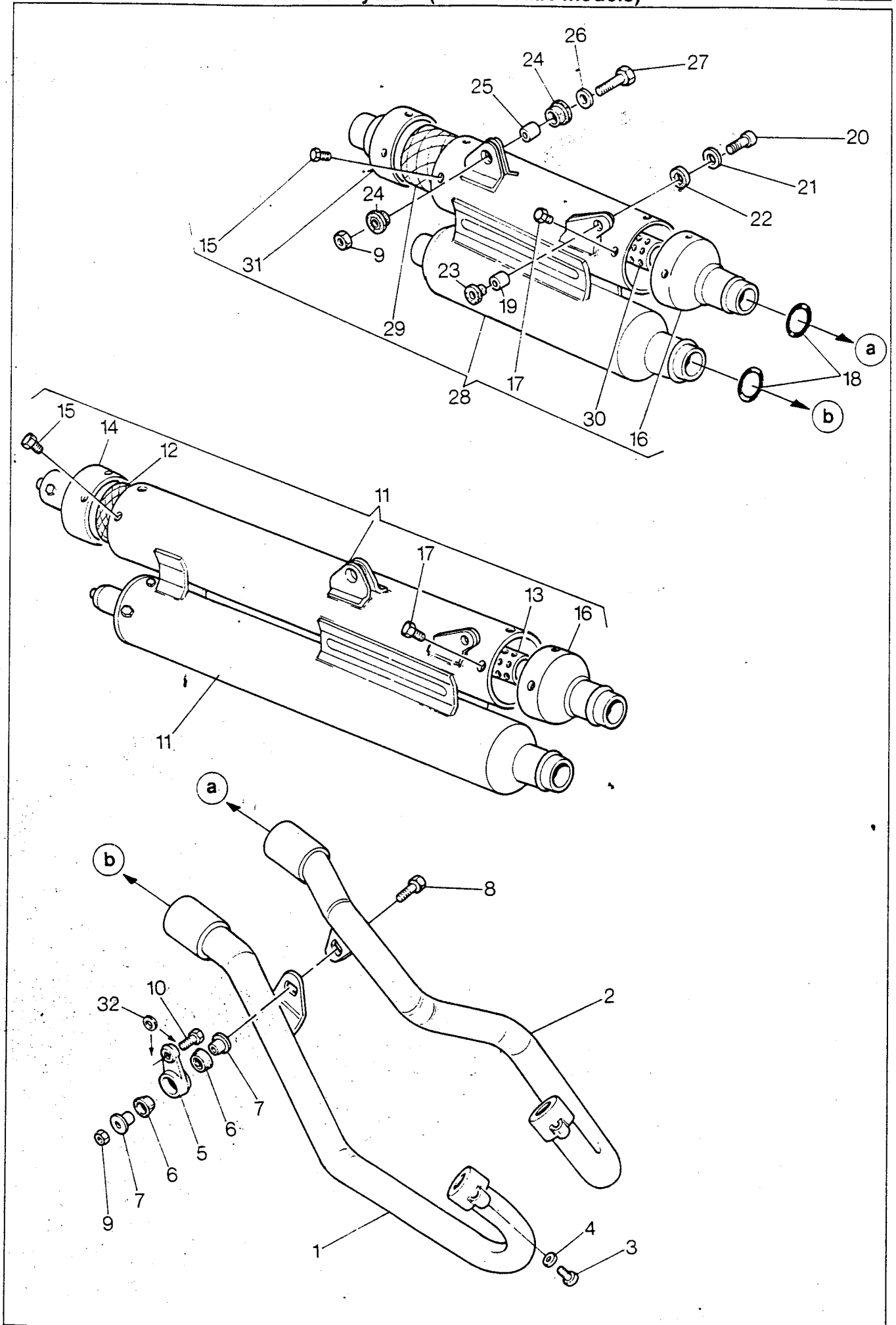
SELLA, SERBATOIO Seat, gas tank

TAVOLA / Drawing

20

FIG.	CODICE RICAMBIO Sparepart number	QUANTITÀ - Quantity				DESCRIZIONE	Description
		510	510	510	510		
		TC	TE	WXE	WMX		
1	15 13 591-01	1	1	1	1	Sella	Saddle
2	15 13 592-01	1	1	1	1	Rivestimento sella	Saddle covering
3	60N10 1085	2	2	2	2	Vite M6x30	Screw
4	8000 40719	2	2	2	2	Dado M6	Nut
5	15 14 108-01	1	1	1	1	Tappo	Plug
6	15 13 809-01	1	1	1	1	Serbatoio carburante	Petrol tank
7	15 14 078-06	1	1	1	1	Tubetto sfiato	Vent hose
8	15 15 809-01	1	1	1	1	Attacco sfiato	Vent nipple
9	15 13 806-01	2	2	2	2	Antivibrante	Rubbe
10	60N10 2555	2	2	2	2	Vite M8X20	Screw
11	15 13 882-01	1	1	1	1	Convogliatore destro	Spoiler right
12	15 13 881-01	1	1	1	1	Convogliatore sinistro	Spoiler left
13	15 14 109	1	1	1	1	Rubinetto	Petrol cock
14	15 14 110-01	2	2	2	2	Vite	Screw
15	8000 34306	1	1	1	1	Anello OR	Oring
16	15 11 570-01	1	1	1	1	Rosetta in gomma	Rubber washer
17	15 11 568-01	1	1	1	1	Rosetta piana	Flat washer
18	8000 61313	1	1	1	1	Dado M6	Nut
19	8000 60907	1	1	1	1	Adesivo sinistro	L. decal
20	8000 60906	1	1	1	1	Adesivo destro	R. decal
21	15 14 057-02	1	1	1	1	Tubazione carburante	Petrol hose
22	8000 63141	2	2	2	2	Decal	Trim
23	8000 33564	4	4	4	4	Vite M6	Screw
24	8000 63140	2	2	2	2	Adesivo	Trim
25	8000 58964	2	2	2	2	Adesivo	Trim
26	8000 54905	1	1	1	1	Vite M6	Screw
27	8000 27495	1	1	1	1	Fascetta	Clamp
28	8000 52119	2	2	2	2	Rosetta piana	Flat washer

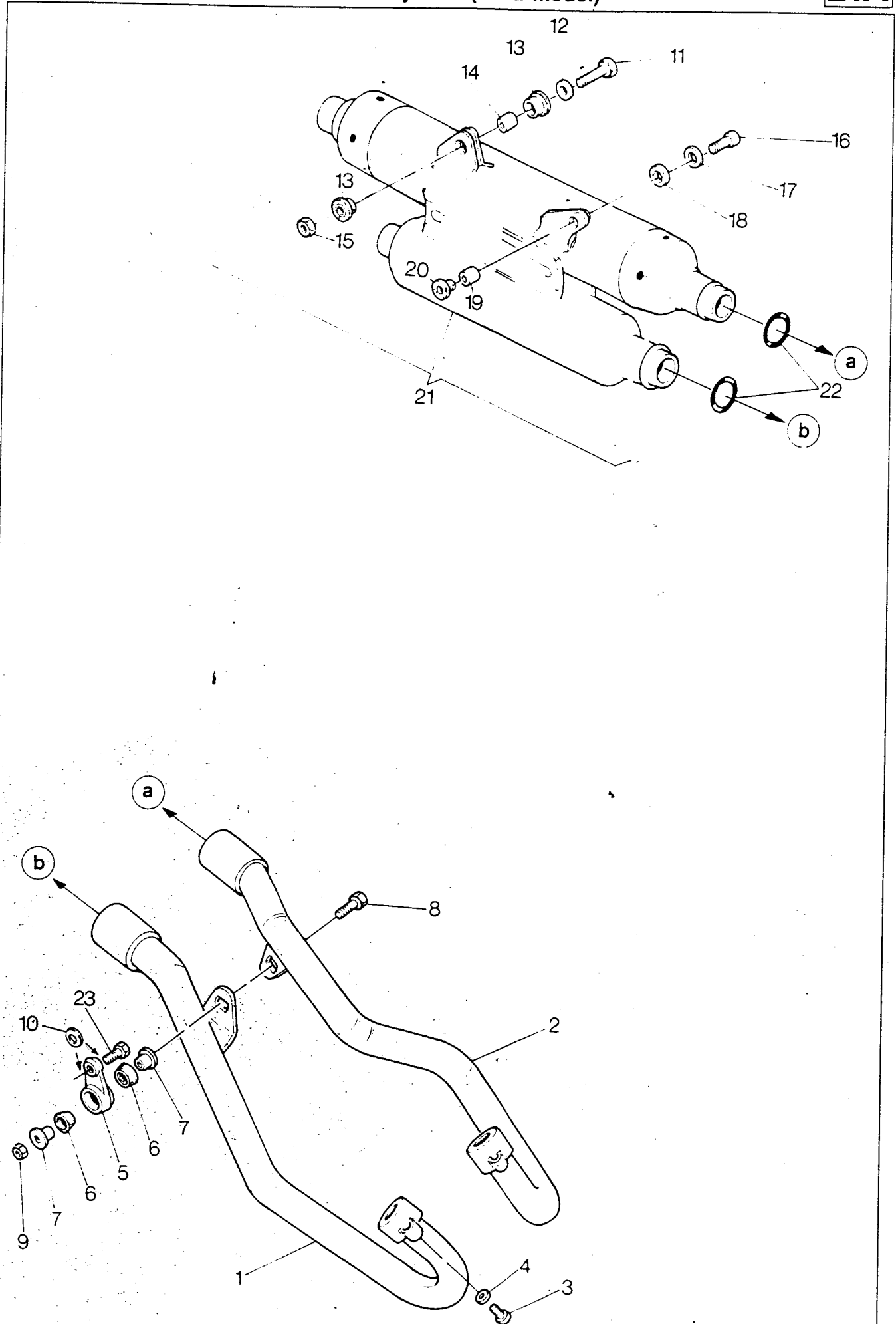
SCARICO (Mod. TE-TC-WMX)
Exhaust system (TE-TC-WMX models)



SCARICO (Mod. WXE)
Exhaust system (WXE model)

TAVOLA / Drawing

21A

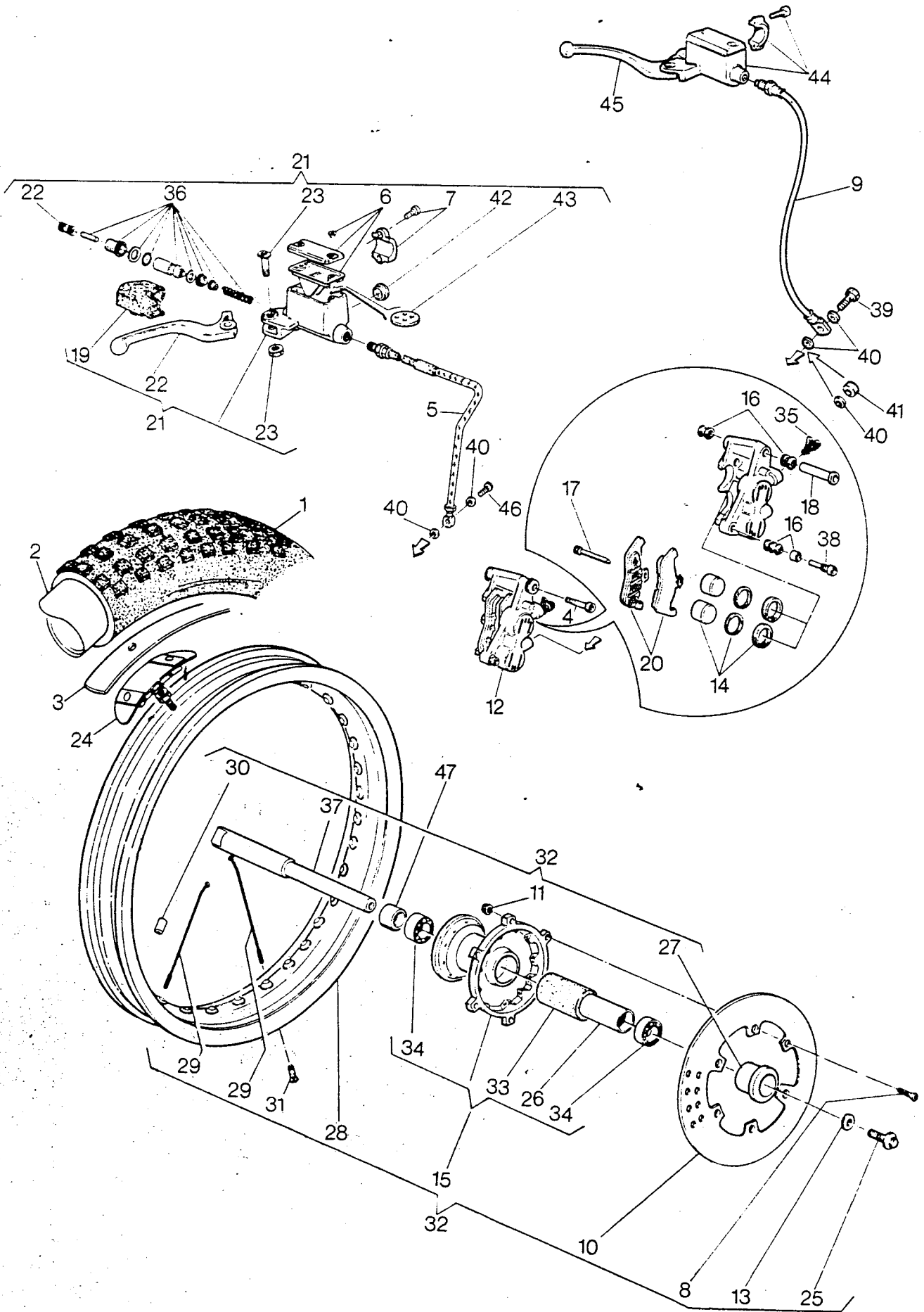


SCARICO (Mod. WXE) Exhaust system (WXE model)

TAVOLA / Drawn

21A

FIG.	CODICE RICAMBIO Sparepart number	QUANTITÀ - Quantity				DESCRIZIONE	Description
		510	510	510	510		
		TC	TE	WXE	WMX		
1	8000 63059			1		Tubo di scarico destro	Exhaust pipe rear
2	15 15 940-01			1		Tubo di scarico sinistro	Exhaust pipe left
3	60N10 2511			2		Vite M6x30	Screw
4	8000 56359			2		Rosetta piana	Flat washer
5	8000 40633			1		Piastrina	Plate
6	8000 27349			2		Boccola elastica	Elastic bushing
7	8000 64556			2		Boccola	Bushing
8	60N10 1148			1		Vite M8x35	Screw
9	8000 40720			1		Dado M8	Nut
10	60N1 15567			2		Rosetta piana	Flat washer
11	60N10 1153			1		Vite M8x55	Screw
12	15 14 661-01			1		Rosetta piana	Flat washer
13	15 14 662-01			2		Gommino	Grommet
14	15 14 663-01			1		Distanziale	Spacer
15	8000 40720			1		Dado M8	Nut
16	60N10 2511			1		Vite M6x30	Screw
17	15 13 743-01			1		Rosetta piana	Flat washer
18	15 13 414-01			1		Rosetta in gomma	Spring washer
19	15 15 108-01			1		Distanziale	Spacer
20	15 14 032-02			1		Gommino	Grommet
21	8000 65300			1		Silenziatore completo	Silencer assy
22	15 14 559-01			2		Anello OR	Oring
23	60N10 1140			1		Vite M8X20	Screw



RUOTA ANTERIORE, COMANDO FRENO ANTERIORE

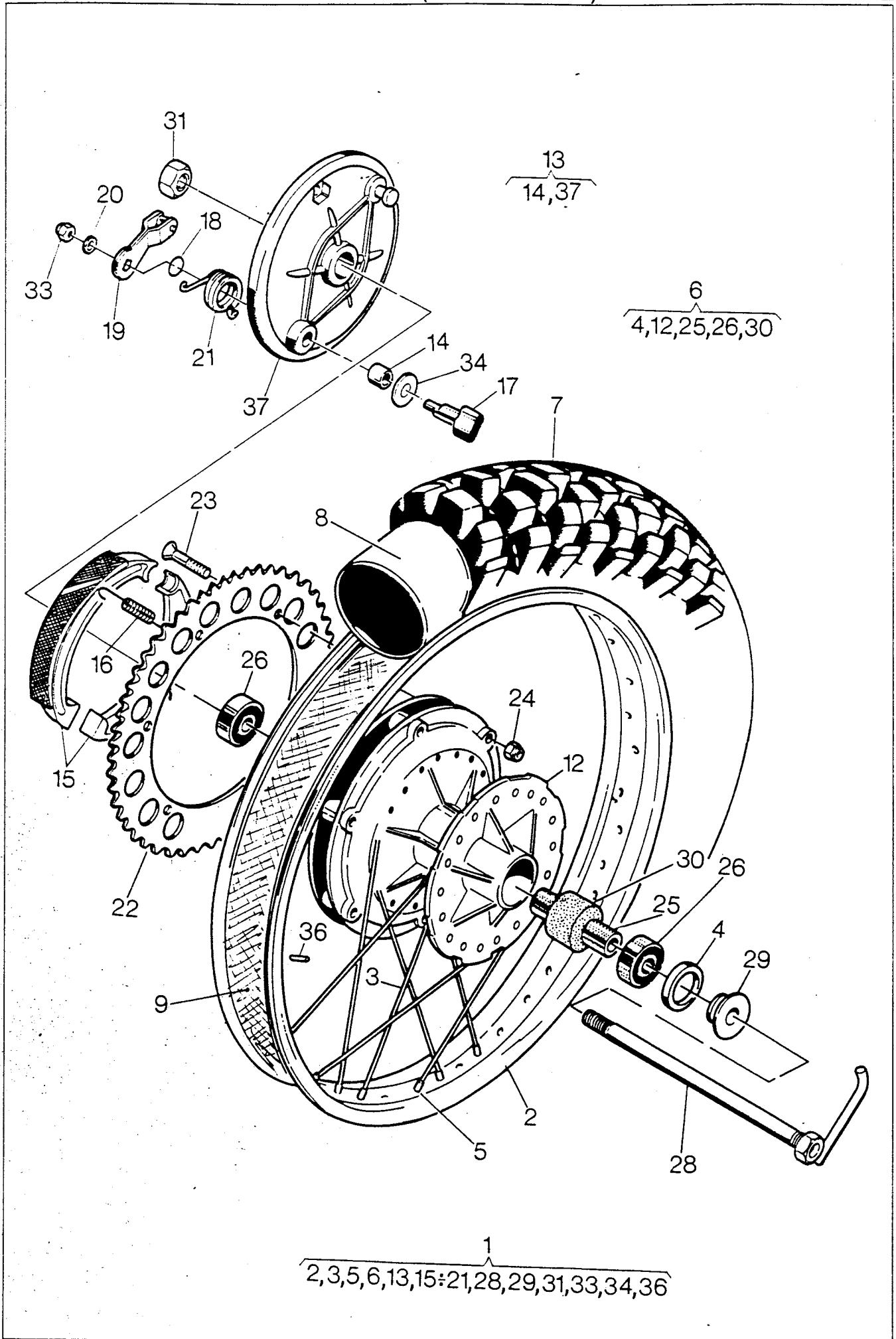
Front wheel, front brake control

TAVOLA / Drawing

22

FIG.	CODICE RICAMBIO Sparepart number	QUANTITÀ - Quantity				DESCRIZIONE	Description
		510	510	510	510		
		TC	TE	WXE	WMX		
1	8000 51869		1			Pneumatico 90/90 - 21"	Tire
	8000 60171	1			1	Pneumatico 90/90 - 21"	Tire
	15 16 907-01			1		Pneumatico 90/90 - 21"	Tire
2	8000 18648	1	1		1	Camera d'aria	Tube
	15 16 028-01			1		Camera d'aria	Tube
3	8000 13346	1	1	1	1	Fascia copriraggi	Rimband
4	8000 53408	1	1	1	1	Vite M10X50	Screw
5	15 16 374-01	1			1	Tubo mandata olio	Pipe
6	8000 46665	1			1	Kit tappo	Plug kit
7	8000 46666	1			1	Kit cavallotto	Staple kit
8	8000 47422	6	6	6	6	Vite	Screw
9	8000 57293		1	1		Tubo mandata olio	Pipe
10	8000 53165		1	1		Disco freno	Brake disc
	8000 61754	1			1	Disco freno	Brake disc
11	8000 40719	6	6	6	6	Dado M6	Nut
12	8000 51964	1	1	1	1	Pinza freno	Brake caliper
13	8000 60913	1	1	1	1	Rosetta piana	Flat washer
14	8000 53251	1	1	1	1	Gruppo guarnizioni e pistoni	Gasket set
15	8000 53872	1	1	1	1	Mozzo completo	Front hub assy
16	8000 53401	1	1	1	1	Gruppo cuffia guida	Cammer guide group
17	8000 53256	1	1	1	1	Perno ritegno pastiglie	Pin
18	8000 53405	1	1	1	1	Guida principale	Guide
19	8000 46667	1			1	Protezione leva	Lever guard
20	8000 53406	1			1	Coppia pastiglie	Pads couple
21	8000 63514	1			1	Pompa comando freno ant.	Front brake pump
22	8000 63513	1			1	Leva completa di grano	Lever assy
23	8000 46664	1			1	Kit perno leva	Pin, lever kit
24	8000 49036	1			1	Staffa fermacopertone	Tire lock
25	8000 60912	1	1	1	1	Vite	Screw
26	8000 53874	1	1	1	1	Distanziale	Spacer
27	8000 53796	1	1	1	1	Distanziale	Spacer
28	15 16 320-01	1	1	1	1	Cerchio	Rim
29	15 16 321-01	36	36	36	36	Raggio	Spoke
30	8000 61347	18	18	18	18	Spina	Roll
31	15 16 219-01	36	36	36	36	Nipplo	Nipple
32	8000 65736		1	1		Ruota anteriore nuda	Front wheel
	8000 63019	1			1	Ruota anteriore	Front wheel
33	15 16 215-01	1	1	1	1	Portadistanziale	Spaceholder
34	8000 43426	2	2	2	2	Cuscinetto a sfere	Ball bearing
35	8000 53258	1	1	1	1	Gruppo revisione spurgo	Screw kit
36	8000 46645	1			1	Gruppo revisione guarnizioni	Seal set
37	8000 57303		1	1		Perno ruota	Axle
	8000 53795	1			1	Perno ruota	Axle
38	8000 57342	1	1	1	1	Perno	Bolt
39	8000 55259		1	1		Bocchettone	Smal opening
40	8000 21480		3	3		Rosetta di tenuta	Washer
	8000 21480	2			2	Rosetta di tenuta	Washer
41	8000 56612		1	1		Distanziale	Spacer
42	8000 57343	1			1	Oblò	Porthole
43	8000 57344	1			1	Antiemulsione	Antiemulsion sponge
44	15 16 353-01		1	1		Pompa comando freno ant.	Front brake pump
45	15 16 357-01		1	1		Leva comando freno	Brake control lever
46	8000 25988	1			1	Bocchettone	Smal opening
47	8000 65294			1		Distanziale	Spacer

RUOTA POSTERIORE (Mod. TE-WXE)
Rear wheel (TE-WXE models)

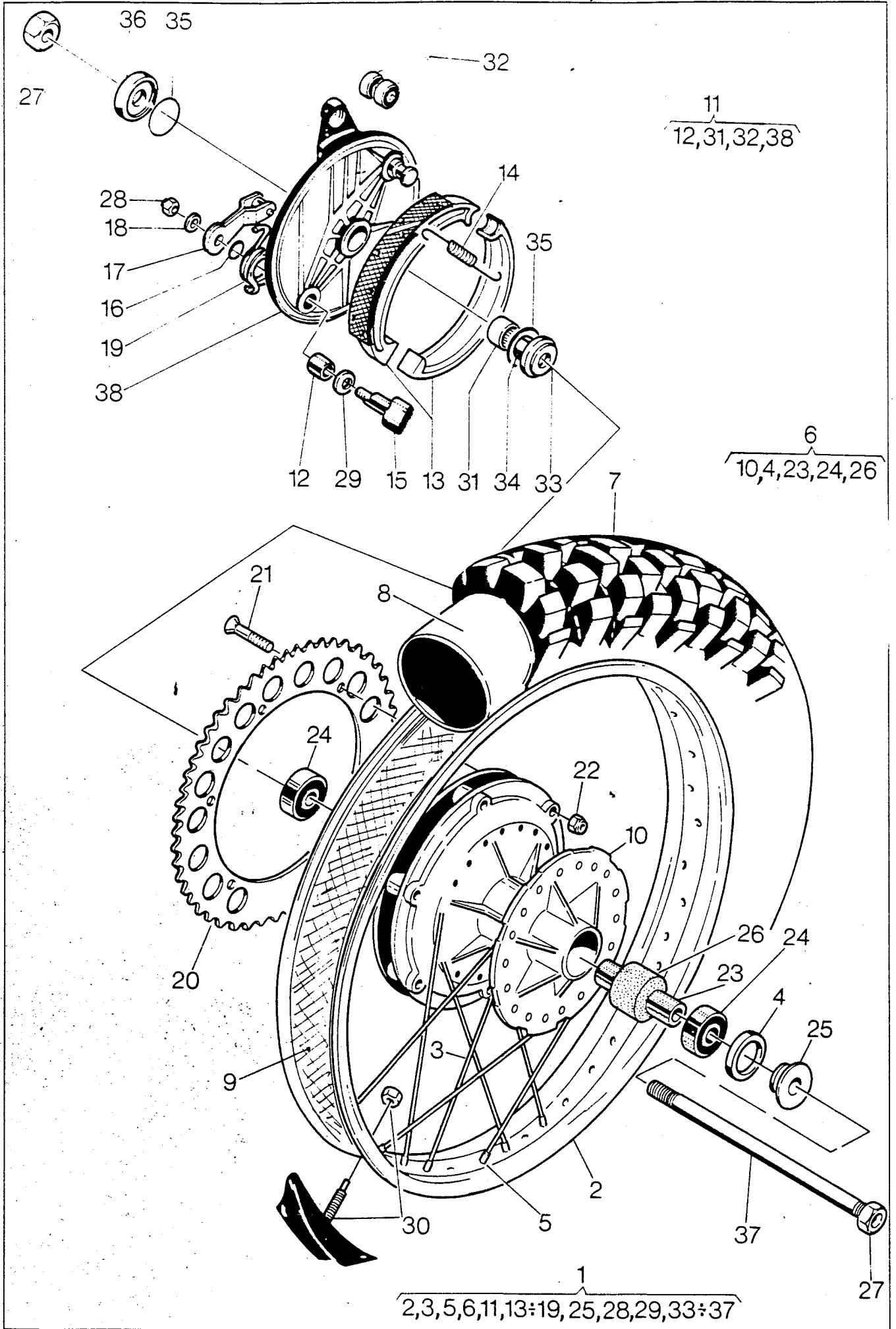


RUOTA POSTERIORE (Mod. TE-WXE)

Rear wheel (TE-WXE models)

FIG.	CODICE RICAMBIO Sparepart number	QUANTITÀ - Quantity				DESCRIZIONE	Description
		510	510	510	510		
		TC	TE	WXE	WMX		
1	15 16 888-05		1	1		Ruota posteriore completa	Wheel compl.
2	15 16 827-01		1	1		Cerchio	Rim
3	15 16 828-02		36	36		Raggio	Spoke
4	15 13 718-01		1	1		Anello di tenuta	Seal ring
5	15 16 829-01		36	36		Nipplo	Spokenipple
6	15 16 911-02		1	1		Mozzo post. completo	Rearhub compl.
7	8000 61348		1			Pneumatico 140/80 - 18"	Tyre
	15 16 885-01			1		Pneumatico 4,50x18"	Tyre
8	8000 33607		1			Camera d'aria	Innertube
	15 16 508-01			1		Camera d'aria	Innertube
9	80000 1688		1	1		Fascia copriraggi	Rimband
13	15 16 891-01		1	1		Coperchio portaceppi compl.	Brakeplate compl.
14	8000 61350		1	1		Bussola	Bushing
15	15 16 543-01		2	2		Ceppo completo	Brakeshoe compl.
16	15 16 547-01		2	2		Molla	Spring
17	15 16 886-01		1	1		Camma	Brakecam
18	15 16 299-01		1	1		Anello OR	Oring
19	15 16 723-02		1	1		Leva freno	Lever
20	60N1 15567		1	1		Rosetta piana	Flat washer
21	15 15 535-01		1	1		Molla	Spring
22	15 16 852-01		1	1		Corona Z = 48	Sprocket
23	60N10 1144		6	6		Vite M8x30	Screw
24	8000 45498		6	6		Dado M8	Nut
25	15 16 752-01		1	1		Distanziale	Spacer
26	8000 43426					Cuscinetto a sfere Ø15xØ42x13	Ball bearing
28	15 15 540-02		1	1		Perno ruota	Axle
29	15 16 866-02		1	1		Distanziale	Spacer
30	15 16 300-01		1	1		Portadistanziale	Spaceholder
31	15 16 598-01		1	1		Dado M15	Nut
33	8000 45498		1	1		Dado M8	Nut
34	15 16 836-01		1	1		Rosetta piana	Flat washer
36	8000 61347		18	18		Spina	Roll

RUOTA POSTERIORE (Mod. TC-WMX)
Rear wheel (TC-WMX models)



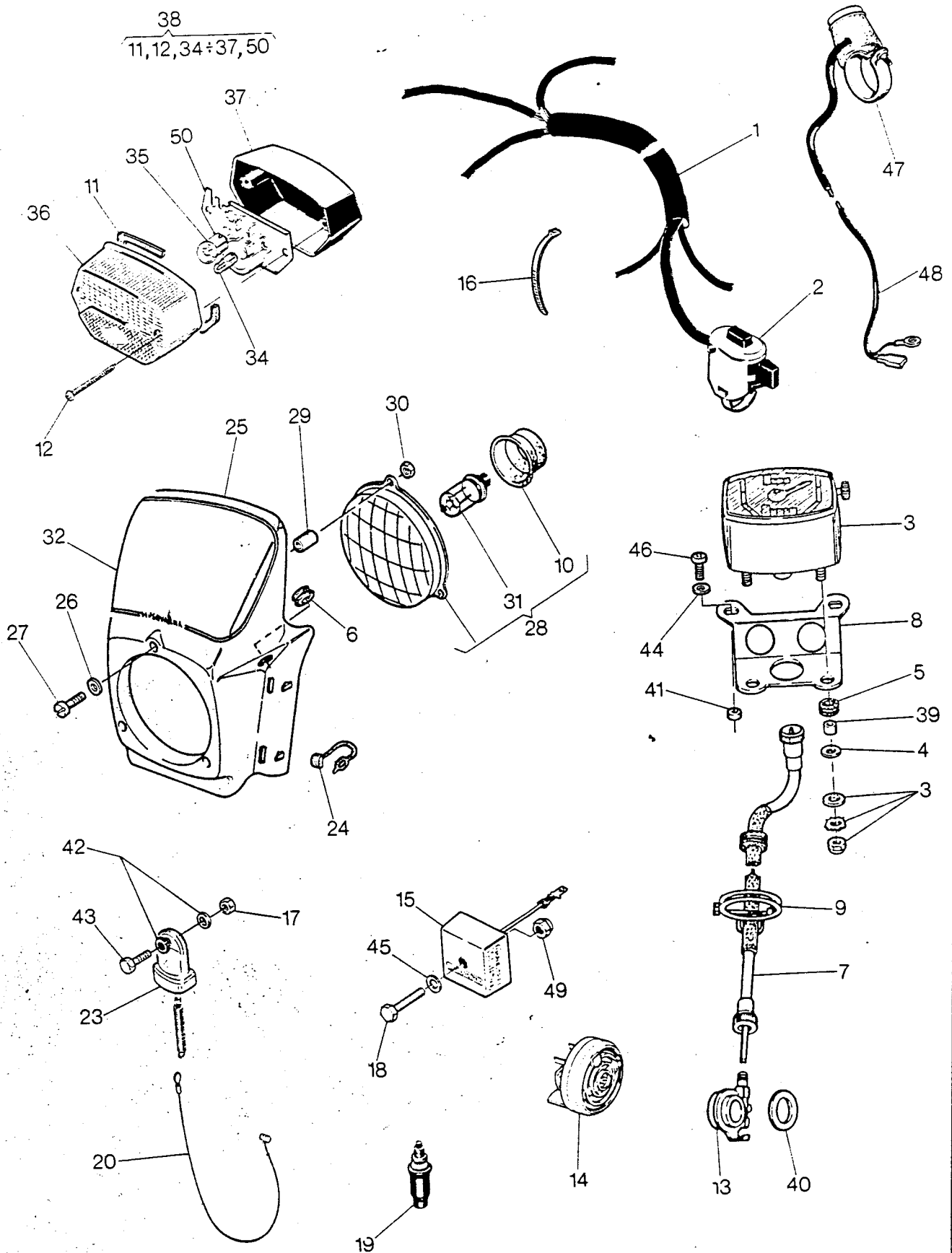
RUOTA POSTERIORE (Mod. TC-WMX)

Rear wheel (TC-WMX models)

TAVOLA / Drawing

23A

FIG.	CODICE RICAMBIO Sparepart number	QUANTITÀ - Quantity				DESCRIZIONE	Description
		510	510	510	510		
		TC	TE	WXE	WMX		
1	15 16 869-01	1			1	Ruota posteriore completa	Wheel compl.
2	15 16 827-01	1			1	Cerchio	Rim
3	15 16 828-02	36			36	Raggio	Spoke
4	15 13 718-01	1			1	Anello di tenuta	Seal ring
5	15 16 829-01	36			36	Nipplo	Nipple
6	15 16 910-02	1			1	Mozzo post. completo	Rearhub compl.
7	8000 61359	1			1	Pneumatico 5,00x18"	Tyre
8	8000 33607	1			1	Camera d'aria	Tube
9	80000 1688	1			1	Fascia copriraggi	Rimband
11	15 15 522-01	1			1	Coperchio portaceppi compl.	Brake cover assy
12	8000 61350	1			1	Bussola	Flangebushing
13	15 16 788-03	2			2	Ceppo completo	Brakeshoe compl.
14	15 16 547-01	2			2	Molla	Spring
15	15 15 514-01	1			1	Camma	Brakecam
16	15 16 299-01	1			1	Anello OR	Oring
17	15 16 723-01	1			1	Leva freno	Lever
18	60N1 15567	1			1	Rosetta piana	Flat washer
19	15 15 515-01	1			1	Molla	Spring
20	15 16 852-03	1			1	Corona Z = 52	Sprocket
21	60N10 1144	6			6	Vite M8x30	Screw
22	8000 45498	6			6	Dado M8	Nut
23	15 16 752-01	1			1	Distanziale	Spacer
24	8000 43426	2			2	Cuscinetto a sfere Ø15xØ42x13	Ball bearing
25	15 16 866-02	1			1	Distanziale	Spacer
26	15 16 300-01	1			1	Portadistanziale	Spaceholder
27	15 16 598-01	2			2	Dado M15	Nut
28	8000 45498	1			1	Dado M8	Nut
29	15 16 836-01	1			1	Rosetta piana	Flat washer
30	8000 50217	2			2	Staffa fermacopertone	Tire lock
31	15 11 428-01	1			1	Cuscinetto a rullini	Needle bearing
32	8000 61353	2			2	Cuscinetto a sfere Ø6xØ19x6	Ball bearing
33	15 15 523-01	1			1	Distanziale	Spacer
34	15 15 518-01	1			1	Bussola	Flangebushing
35	15 11 242-01	2			2	Anello OR	Oring
36	15 15 519-01	1			1	Distanziale	Spacer
37	15 15 524-02	1			1	Perno ruota	Axle



IMPIANTO ELETTRICO, STRUMENTI (Mod. TE-TC-WMX)

Electric system, instruments (TE-TC-WMX models)

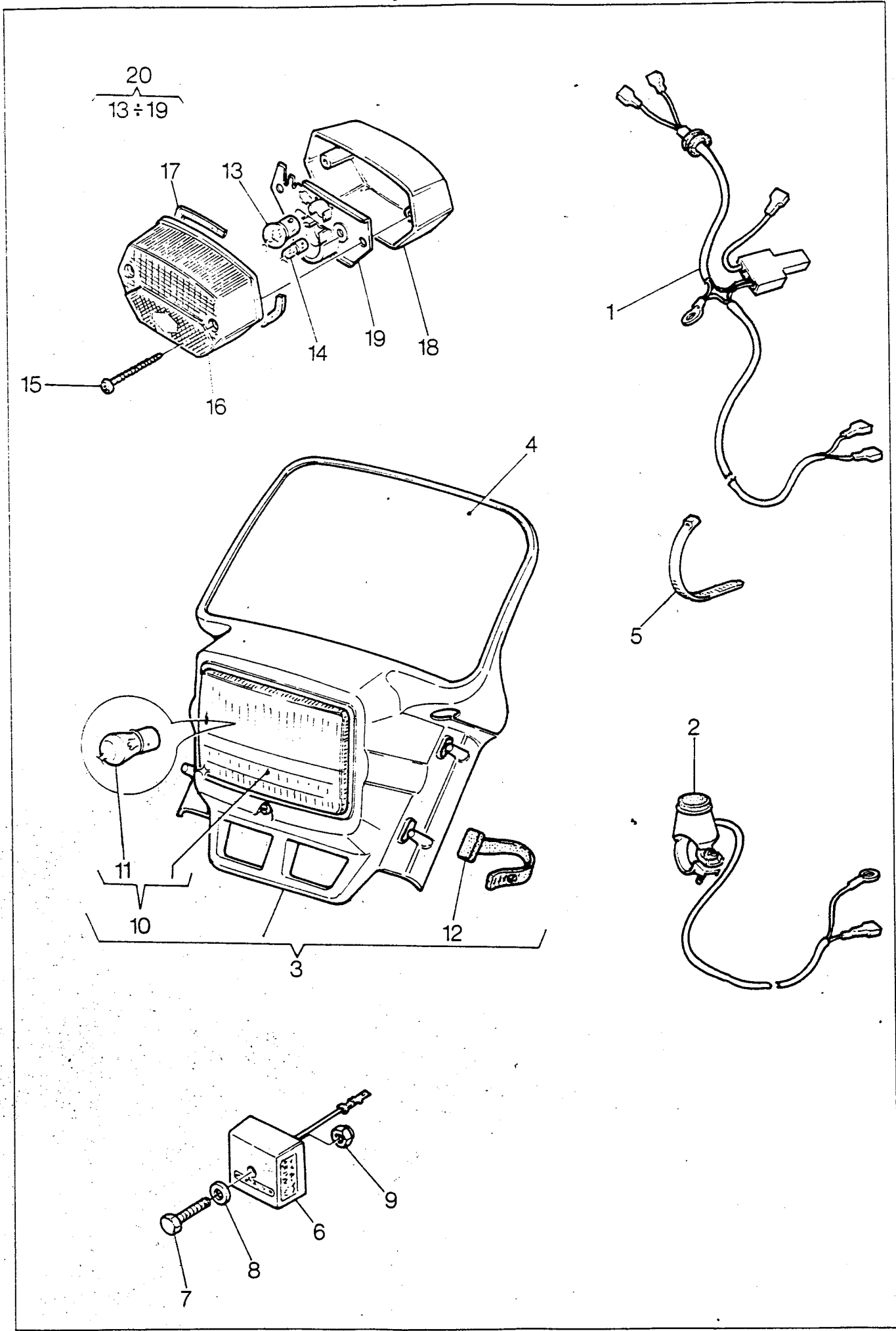
TAVOLA / Drawing

24

FIG.	CODICE RICAMBIO Sparepart number	QUANTITÀ - Quantity				DESCRIZIONE	Description
		510	510	510	510		
		TC	TE	WXE	WMX		
1	15 17 525-01		1			Gruppo cavi	Harness
2	15 17 292-01		1			Commutatore	Switch
3	8000 56624		1			Tachimetro-contachilometri	Speedometer
4	8000 22271		2			Rosetta piana	Flat washer
5	8000 18048		2			Antivibrante	Bushing
6	8000 42001		1			Gommino	Grommet
7	8000 57307		1			Cavo contachilometri	Speedometer cable
8	8000 56623		1			Piastrina	Attachment
9	8000 57309		1			Guidacavo	Wireprotector
10	8000 57317		1			Cuffia	Cover
11	8000 61091		1			Anello OR	Oring
12	15 17 547-01		2			Vite	Screw
13	8000 57304		1			Rinvio	Drive
14	15 17 420-01		1			Avvisatore acustico	Horn
15	16 14 757-01		1			Regolatore di tensione	Voltage regulator
16	15 19 523-03		12			Fascetta	Clamp
17	8000 16083		1			Dado M14	Nut
18	60N10 1087		1			Vite M6x35	Screw
19	15 17 328-01		1			Interruttore stop	Brakelightswitch
20	15 17 518-02		1			Cavo	Wire
23	15 17 517-01		1			Interruttore stop	Brakelightswitch
24	8000 58901		3			Elastico	Elastic
25	80B0 56537		1			Portafaro	Headlight cover
26	60N1 15560		3			Rosetta piana	Flat washer
27	60N10 7575		3			Vite M5x40	Screw
28	8000 57314		1			Gruppo ottico compl.	Optical group assy
29	8000 58900		3			Distanziale	Hose
30	60N1 15192		3			Dado M5	Nut
31	8000 42946		1			Lampada 12V-55/60W	Bulb
	8000 46445		1			Lampada 12V-55/60W (Francia)	Bulb (France)
32	8000 62909		1			Adesivo	Decal.
34	065938226		1			Lampada 12V-4W	Bulb
35	8000 36726		1			Lampada 12V-10W	Bulb 12V-10W
36	15 17 888-01		1			Lente	Lens
38	15 17 535-01		1			Fanale posteriore compl.	Rear light assy
39	8000 18153		2			Distanziale	Spacer
40	8000 20066		1			Rosetta piana	Flat washer
41	8000 57306		2			Distanziale	Spacer
42	60N1 15547		1			Rosetta piana	Flat washer
43	60N10 1030		1			Vite M4x25	Screw
44	60N1 15506		2			Rosetta piana	Flat washer
45	80000 6385		1			Rosetta piana	Flat washer
46	60N10 2559		2			Vite M8x40	Screw
47	15 17 487-01	1			1	Pulsante arresto motore	Stop button
48	15 17 406-01	1			1	Prolunga cavo pulsante	Extension cable
49	8000 61313		1			Dado	Nut

20

 20
50

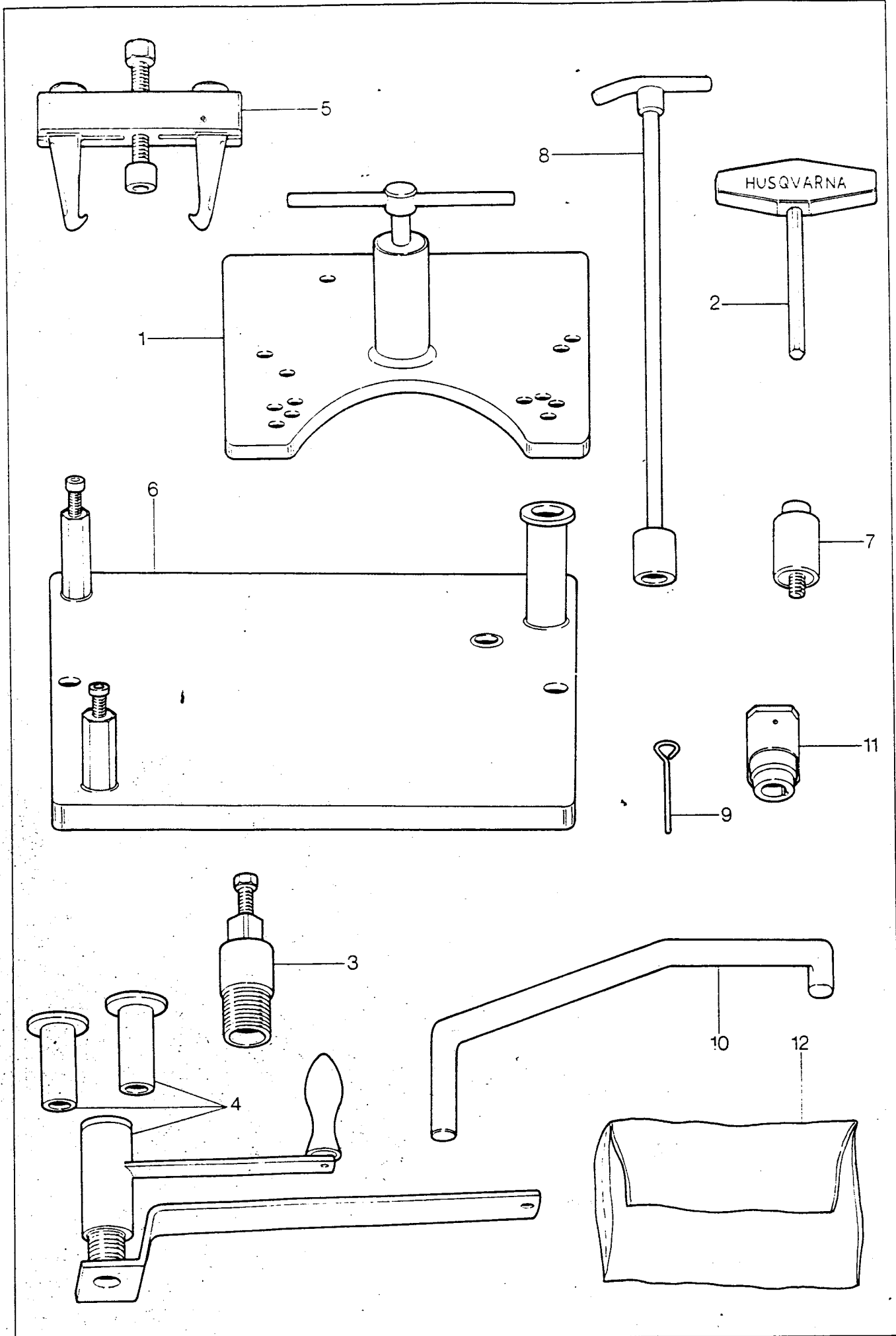


IMPIANTO ELETTRICO (Mod. WXE) Electric system (WXE model)

TAVOLA / Drawing

24A

FIG.	CODICE RICAMBIO Sparepart number	QUANTITÀ - Quantity				DESCRIZIONE	Description
		510	510	510	510		
		TC	TE	WXE	WMX		
1	8000 65346			1		Gruppo cavi	Cable
2	8000 65339			1		Pulsante arresto motore	Stop button
3	8000 65341			1		Portafaro compl.	Bulb holder compl.
4	8000 65343			1		Adesivo	Trim
5	15 19 532-03			12		Fascetta	Clamp
6	16 14 757-01			1		Regolatore di tensione	Voltage regulator
7	60N10 1087			1		Vite M6x35	Screw
8	80000 6385			1		Rosetta piana	Flat washer
9	8000 61313			1		Dado	Nut
10	8000 65388			1		Gruppo ottico compl.	Optical group assy
11	8000 20137			1		Lampada 12V-35/35W	Bulb
12	8000 65389			4		Elastico	Elastic
13	8000 36726			1		Lampada 12V-10W	Bulb 12V-10W
14	065938226			1		Lampada 12V-4W	Bulb
15	15 17 547-01			2		Vite	Screw
16	15 17 888-01			1		Lente	Nail
17	8000 61091			1		Anello OR	Oring
20	15 17 535-01			1		Fanale posteriore compl.	Rear light assy



ATTREZZI DI ASSISTENZA, BORSA ATTREZZI

Service tools, tools bag

TAVOLA / Drawing

25

FIG.	CODICE RICAMBIO Sparepart number	QUANTITÀ - Quantity				DESCRIZIONE	Description
		510	510	510	510		
		TC	TE	WXE	WMX		
2 2 3 3 3 2 2 2 2 2 2 2	1 15 17 947-01	1	1	1	1	Estrattore basamento	Base extractor
2	15 19 653-01	1	1	1	1	Chiave per esagono incassato	Allen wrench
3	16 15 133-01	1	1	1	1	Estrattore volano	Rotor puller
4	15 19 564-01	1	1	1	1	Attrezzi di montaggio	Assembling tools
5	15 19 805-01	1	1	1	1	Estrattore ingranaggio lato frizione	Side gear extractor
6	15 15 591-01	1	1	1	1	Supporto per montaggio	Assembling support
7	15 14 134-01	1	1	1	1	Estrattore braccio oscillante	Wishbone extractor
8	15 19 122-01	1	1	1	1	Chiave asta pompa forcella	Fork pump rod wrench
9	8000 29127	1	1	1	1	Riferimento fasatura volano	Flywheel power factor correction
10	15 17 949-01	1	1	1	1	Attrezzo per volano	Flywheel tool
11	8000 64825	1	1	1	1	Attrezzo controllo fase volano	Flywheel tool for phase control
12	8000 60954	1	1	1	1	Borsa attrezzi completa	Tools case assy

INDICE NUMERICO PROGRESSIVO

Numerical Index

DISEGNO Drawing	TAVOLA Drawing	INDEX No.	DISEGNO Drawing	TAVOLA Drawing	INDEX No.	DISEGNO Drawing	TAVOLA Drawing	INDEX No.
05 15 500-01	14	15	15 13 414-01	21A	18	15 15 314-01	17	20
065938226	24	34	15 13 587-01	19	3	15 15 315-01	17	32
065938226	24A	14	15 13 591-01	20	1	15 15 322-01	17	3
12 13 810-01	17	17	15 13 592-01	20	2	15 15 325-01	17	1
12 13 821-01	17	19	15 13 596-01	19	21	15 15 326-01	17	2
15 10 442-02	12	20	15 13 617-01	10	3	15 15 330-01	17	6
15 10 604-04	12	10	15 13 706-01	3	9	15 15 331-01	17	4
15 11 012-01	10	11	15 13 709-01	9	3	15 15 332-01	17	13
15 11 148-01	10	37	15 13 713-01	2	4	15 15 333-01	17	16
15 11 241-01	15	5	15 13 718-01	23	4	15 15 334-02	5	60
15 11 242-01	23A	35	15 13 718-01	23A	4	15 15 336-01	17	11
15 11 244-01	15	13	15 13 722-01	4	29	15 15 412-01	14	25
15 11 248-01	12	8	15 13 726-02	4	3	15 15 413-01	14	21
15 11 249-01	12	9	15 13 726-02	5	19	15 15 424-01	13	22
15 11 249-01	12	23	15 13 734-01	9	4	15 15 439-01	14	18
15 11 256-01	15	8	15 13 743-01	21	21	15 15 457-01	14	13
15 11 257-01	15	9	15 13 743-01	21A	17	15 15 505-01	14	24
15 11 258-02	15	10	15 13 744-01	16	6	15 15 506-01	14	16
15 11 277-01	12	6	15 13 746-01	19	2	15 15 510-01	10	45
15 11 278-01	12	7	15 13 806-01	20	9	15 15 511-01	10	40
15 11 286-01	13	17	15 13 809-01	20	6	15 15 514-01	23A	15
15 11 288-01	13	19	15 13 861-01	3	3	15 15 515-01	23A	19
15 11 303-01	10	44	15 13 863-01	3	7	15 15 518-01	23A	34
15 11 310-01	13	1	15 13 864-01	3	1	15 15 519-01	23A	36
15 11 310-01	14	7	15 13 865-01	3	6	15 15 522-01	23A	11
15 11 310-02	13	2	15 13 871-01	3	18	15 15 523-01	23A	33
15 11 311-01	13	4	15 13 873-01	3	16	15 15 524-02	23A	37
15 11 311-01	14	6	15 13 874-01	3	17	15 15 525-01	10	32
15 11 312-02	13	10	15 13 876-01	3	23	15 15 535-01	23	21
15 11 313-01	13	18	15 13 877-01	3	22	15 15 540-02	23	28
15 11 313-02	13	7	15 13 878-01	3	24	15 15 553-02	12	11
15 11 317-01	13	16	15 13 879-01	3	21	15 15 554-01	10	22
15 11 317-01	14	20	15 13 881-01	20	12	15 15 591-01	25	6
15 11 332-01	15	14	15 13 882-01	20	11	15 15 803-01	18	13
15 11 333-02	15	16	15 13 920-02	3	19	15 15 803-01	9	13
15 11 387-01	3	18	15 14 032-02	21	23	15 15 809-01	20	8
15 11 395-02	14	9	15 14 032-02	21A	20	15 15 810-01	18	10
15 11 398-01	15	3	15 14 057-02	20	21	15 15 837-01	18	12
15 11 428-01	23A	31	15 14 078-06	20	7	15 15 839-01	18	1
15 11 447-01	13	25	15 14 108-01	20	5	15 15 940-01	21	2
15 11 452-01	13	8	15 14 109	20	13	15 15 940-01	21A	2
15 11 453-01	13	26	15 14 110-01	20	14	15 16 028-01	22	2
15 11 496-01	12	2	15 14 134-01	25	7	15 16 215-01	22	33
15 11 496-02	12	2	15 14 149-01	3	20	15 16 219-01	22	31
15 11 505-01	15	20	15 14 171-01	9	7	15 16 289-01	10	24
15 11 506-01	15	1	15 14 172-01	9	8	15 16 299-01	23	18
15 11 545-01	15	6	15 14 559-01	21	18	15 16 299-01	23A	16
15 11 554-01	12	5	15 14 559-01	21A	22	15 16 300-01	23	30
15 11 555-01	15	4	15 14 661-01	21	26	15 16 300-01	23A	26
15 11 568-01	20	17	15 14 661-01	21A	12	15 16 320-01	22	28
15 11 570-01	20	16	15 14 662-01	21	24	15 16 321-01	22	29
15 12 327-01	11	8	15 14 662-01	21A	13	15 16 353-01	22	44
15 12 327-01	11A	8	15 14 663-01	21	25	15 16 357-01	22	45
15 12 328-02	11A	1	15 14 663-01	21A	14	15 16 374-01	22	5
15 12 329-01	11	9	15 15 037-01	9	10	15 16 508-01	23	8
15 12 329-01	11A	9	15 15 038-01	9	6	15 16 543-01	23	15
15 12 472-01	11	5	15 15 108-01	21	19	15 16 547-01	23	16
15 12 472-01	11A	5	15 15 108-01	21A	19	15 16 547-01	23A	14
15 13 070-01	10	2	15 15 261-01	17	7	15 16 598-01	23	31
15 13 142-01	17	22	15 15 262-01	17	8	15 16 598-01	23A	27
15 13 152-01	10	6	15 15 263-01	17	30	15 16 723-01	23A	17
15 13 156-01	10	7	15 15 280-01	17	36	15 16 723-02	23	19
15 13 158-01	10	8	15 15 308-03	17	12	15 16 752-01	23	25
15 13 159-01	10	9	15 15 312-01	17	33	15 16 752-01	23A	23
15 13 414-01	21	22	15 15 313-01	17	31	15 16 788-03	23A	13

INDICE NUMERICO PROGRESSIVO

Numerical Index

DISEGNO Drawing	TAVOLA Drawing	INDEX No.	DISEGNO Drawing	TAVOLA Drawing	INDEX No.	DISEGNO Drawing	TAVOLA Drawing	INDEX No.
15 16 827-01	23	2	16 10 777-01	5	10	16 14 421-01	6	28
15 16 827-01	23A	2	16 10 823-01	1A	34	16 14 589-01	4	32
15 16 828-02	23	3	16 11 075-01	6	1	16 14 589-01	5	11
15 16 828-02	23A	3	16 11 075-01	6A	46	16 14 590-01	5	7
15 16 829-01	23	5	16 11 084-01	5	73	16 14 645-01	4	30
15 16 829-01	23A	5	16 11 085-01	5	67	16 14 728-01	4	8
15 16 836-01	23	34	16 11 166-01	6	5	16 14 757-01	24	15
15 16 836-01	23A	29	16 11 166-01	6A	42	16 14 757-01	24A	6
15 16 852-01	23	22	16 11 167-01	6	6	16 15 014-02	4	27
15 16 852-03	23A	20	16 11 167-01	6A	41	16 15 022-01	1	7
15 16 866-02	23	29	16 11 169-01	6	15	16 15 023-01	1	14
15 16 866-02	23A	25	16 11 169-03	6A	4	16 15 025-01	1	12
15 16 867-01	12	17	16 11 198-02	1A	39	16 15 035-01	1A	25
15 16 869-01	23A	1	16 11 216-01	5	27	16 15 036-01	1A	17
15 16 885-01	23	7	16 11 271-01	5	28	16 15 038-01	1A	2
15 16 886-01	23	17	16 11 294-02	5	48	16 15 042-01	1A	13
15 16 888-05	23	1	16 11 650-02	5	13	16 15 043-01	1A	8
15 16 891-01	23	13	16 11 677-01	5	35	16 15 045-01	1A	11
15 16 897-01	10	21	16 11 680-01	5	33	16 15 049-01	1A	7
15 16 898-01	10	20	16 11 681-01	5	34	16 15 055-01	5	17
15 16 907-01	22	1	16 11 683-01	5	23	16 15 055-02	1	25
15 16 910-02	23A	6	16 11 684-01	5	24	16 15 058-01	2	17
15 16 911-02	23	6	16 11 686-01	5	21	16 15 071-01	2	13
15 17 090-04	3	8	16 11 692-01	5	22	16 15 084-01	1A	27
15 17 292-01	24	2	16 11 699-01	6	32	16 15 085-01	1A	28
15 17 328-01	24	19	16 11 699-01	6A	12	16 15 095-01	1A	12
15 17 406-01	24	48	16 11 701-01	6	40	16 15 096-01	1A	9
15 17 420-01	24	14	16 11 704-01	5	61	16 15 098-01	2	3
15 17 487-01	24	47	16 11 706-01	5	62	16 15 099-01	1A	5
15 17 517-01	24	23	16 11 708-01	1	8	16 15 100-01	1A	6
15 17 518-02	24	20	16 11 708-01	5	39	16 15 105-01	5	15
15 17 525-01	24	1	16 11 715-01	6	44	16 15 108-01	7	3
15 17 535-01	24	38	16 11 717-01	6	25	16 15 116-01	4	26
15 17 535-01	24A	20	16 11 717-01	6A	6	16 15 121-01	1A	16
15 17 547-01	24	12	16 11 746-01	5	38	16 15 123-01	1A	24
15 17 547-01	24A	15	16 11 816-02	4	14	16 15 128-01	1A	21
15 17 760-06	4	24	16 11 837-01	6	27	16 15 133-01	25	3
15 17 888-01	24	36	16 12 357-01	6	43	16 15 141-02	1A	19
15 17 888-01	24A	16	16 12 361-01	6	49	16 15 146-01	5	59
15 17 947-01	25	1	16 12 362-01	6	18	16 15 147-01	5	58
15 17 949-01	25	10	16 12 363-01	6	21	16 15 148-01	5	57
15 17 959-01	19	13	16 12 365-02	6	41	16 15 156-01	1A	10
15 18 047-02	19	1	16 12 384-01	6	33	16 15 238-01	1	16
15 18 051-01	19	31	16 12 384-01	6A	11	16 15 259	1	31
15 18 121-01	9	15	16 12 388-01	6	46	16 15 266-01	1A	4
15 18 185-01	19	29	16 12 390-01	6	23	16 15 267-01	1	27
15 18 194-01	19	4	16 12 415-01	6	48	16 15 273-01	6	11
15 18 195-01	19	12	16 12 415-01	6A	9	16 15 273-01	6A	32
15 18 227-02	14	1	16 12 480-01	6	20	16 15 274-01	6	12
15 18 235-01	19	14	16 12 481-01	6	19	16 15 274-01	6A	33
15 19 122-01	25	8	16 12 537-01	4	11	16 15 275-01	7	14
15 19 523-03	24	16	16 12 699-01	6	39	16 15 285-01	6	14
15 19 532-03	24A	5	16 12 699-01	6A	13	16 15 285-01	6A	30
15 19 532-05	19	18	16 12 842-01	6	22	16 15 288-01	1	11
15 19 537-01	10	4	16 12 842-01	6A	52	16 15 294-01	1	10
15 19 537-02	10	4	16 13 714-01	6	47	16 15 296-01	1	13
15 19 564-01	25	4	16 13 860-01	3	2	16 15 303-01	1	17
15 19 653-01	25	2	16 14 375-01	5	42	16 15 310-01	4	28
15 19 759-01	4	23	16 14 377-01	5	64	16 15 315-01	6	3
15 19 760-12	4	24	16 14 380-01	5	44	16 15 315-01	6A	44
15 19 767-01	18	7	16 14 381-01	5	46	16 15 332-01	1	4
15 19 805-01	25	5	16 14 385-02	5	65	16 15 344-01	1	30
15 11 553-01	15	11	16 14 405-01	6	29	16 15 347-01	3	25
16 10 776-01	5	8	16 14 405-01	6A	20	16 15 348-01	5	14
16 10 777-01	4	33	16 14 420-01	6A	23	16 15 349-01	1	9

INDICE NUMERICO PROGRESSIVO

Numerical Index

DISEGNO Drawing	TAVOLA Drawing	INDEX No.	DISEGNO Drawing	TAVOLA Drawing	INDEX No.	DISEGNO Drawing	TAVOLA Drawing	INDEX No.
16 15 350-01	1A	3	60N1 15503	11	23	60N10 1148	14	4
16 15 351-01	1	15	60N1 15503	11A	22	60N10 1148	21	8
16 15 352-01	1	20	60N1 15503	11A	26	60N10 1148	21A	8
16 15 355-01	2	11	60N1 15504	1	40	60N10 1153	10	5
16 15 357-02	1	23	60N1 15504	19	32	60N10 1153	21	27
16 15 358-01	1	3	60N1 15504	1A	36	60N10 1153	21A	11
16 15 359-01	1	18	60N1 15504	4	9	60N10 2504	5	80
16 15 359-01	5	18	60N1 15504	5	83	60N10 2509	5	50
16 15 360-01	1	5	60N1 15504	7	13	60N10 2510	1	34
16 15 370-01	2	12	60N1 15506	24	44	60N10 2510	11	28
16 15 377-01	1	19	60N1 15507	1	29	60N10 2510	11A	10
16 15 378-01	1	6	60N1 15547	24	42	60N10 2510	19	23
16 15 379-01	6	57	60N1 15549	19	22	60N10 2510	4	15
16 15 379-01	6A	36	60N1 15549	19	24	60N10 2511	19	7
16 15 381-01	7	1	60N1 15560	24	26	60N10 2511	1A	32
16 15 382-01	7	4	60N1 15567	10	12	60N10 2511	21	3
16 15 383-01	7	10	60N1 15567	13	23	60N10 2511	21	20
16 15 388-01	6	30	60N1 15567	14	26	60N10 2511	21A	3
16 15 388-01	6	30	60N1 15567	1A	37	60N10 2511	21A	16
16 15 388-01	6A	22	60N1 15567	1A	37	60N10 2511	21A	16
16 15 386-01	6A	22	60N1 15567	21	32	60N10 2511	9	18
16 15 390-01	8	44	60N1 15567	21A	10	60N10 2512	7	6
16 15 391-01	5	32	60N1 15567	21A	10	60N10 2512	7	6
16 15 393-01	1A	15	60N1 15567	23	20	60N10 2513	1A	26
16 15 395-01	1A	40	60N1 15567	23A	18	60N10 2513	4	6
16 15 404	1	32	60N1 15568	11	2	60N10 2513	5	47
16 15 407-01	1	2	60N1 15568	11	2	60N10 2513	5	47
16 15 407-01	1	2	60N1 15568	5	81	60N10 2514	1A	31
16 15 408-01	1A	23	60N1 15658	1A	42	60N10 2514	5	47
16 15 410-01	1	45	60N1 20066	10	23	60N10 2516	1A	41
16 15 411-01	2	16	60N1 21211	4	21	60N10 2517	1A	30
16 15 413-01	2	13	60N1 55292	10	31	60N10 2555	20	10
16 15 414-01	2	14	60N10 1030	24	43	60N10 2556	11	18
16 15 417-01	1	24	60N10 1061	11	22	60N10 2556	11A	18
16 16 015-01	6A	47	60N10 1061	11A	21	60N10 2557	1	35
16 16 017-01	6A	27	60N10 1076	14	2	60N10 2558	11	7
16 16 019-01	6A	51	60N10 1078	18	14	60N10 2559	11	19
16 16 020-01	6A	25	60N10 1079	10	34	60N10 2559	11A	7
16 16 021-01	6A	10	60N10 1079	18	3	60N10 2559	24	46
16 16 022-01	6A	2	60N10 1079	19	8	60N10 2866	5	16
16 16 024-01	6A	3	60N10 1079	5	25	60N10 2896	4	13
16 16 025-01	6A	8	60N10 1079	9	2	60N10 2898	1	37
16 16 027/01	6A	48	60N10 1081	19	8	60N10 2898	3	12
16 16 037-01	6A	26	60N10 1081	9	5	60N10 2899	19	16
16 16 354-01	6A	19	60N10 1085	10	39	60N10 2900	5	49
16 16 359-01	5	51	60N10 1085	10	39	60N10 2927	1A	33
16 16 360-01	6A	49	60N10 1085	20	3	60N10 2930	12	3
16 16 362-01	5	37	60N10 1087	14	19	60N10 3209	11	26
16 17 951-01	5	74	60N10 1087	24	18	60N10 3209	11A	25
16 17 955-01	5	53	60N10 1087	24A	7	60N10 7331	7	8
16 17 958-01	5	75	60N10 1091	13	14	60N10 7335	1	22
16 17 964-01	5	55	60N10 1091	7	11	60N10 7335	1	39
16 17 966-01	5	78	60N10 1094	18	8	60N10 7336	1A	18
16 17 967-01	5	54	60N10 1140	10	15	60N10 7336	5	52
16 19 901-01	1	46	60N10 1140	12	12	60N10 7350	10	38
20 62 329-12	17	9	60N10 1140	13	12	60N10 7575	24	27
20 62 368-11	17	29	60N10 1140	14	11	60N2 21205	5	31
25 09 316-01	17	18	60N10 1140	14	14	60N2 21208	5	70
50 12 782-01	5	45	60N10 1140	21	10	60N2 21211	6	24
60N1 15033	6	8	60N10 1140	21A	23	60N2 21211	6A	7
60N1 15033	6A	39	60N10 1144	10	36	72 11 344-40	5	41
60N1 15192	11	24	60N10 1144	12	14	72 55 385-01	4	7
60N1 15192	11A	23	60N10 1144	23	23	8000 51869	22	1
60N1 15192	24	30	60N10 1144	23A	21	8000 12029	8	22
60N1 15193	7	12	60N10 1146	14	12	8000 12030	8	21
60N1 15195	1A	22	60N10 1146	14	17	8000 12033	8	18
60N1 15195	4	31	60N10 1148	13	5	8000 12034	8	17
60N1 15218	15	18	60N10 1148	13	24	8000 12045	8	27

INDICE NUMERICO PROGRESSIVO

Numerical Index

DISEGNO Drawing	TAVOLA Drawing	INDEX No.	DISEGNO Drawing	TAVOLA Drawing	INDEX No.	DISEGNO Drawing	TAVOLA Drawing	INDEX No.
8000 12046	8	28	8000 36726	24A	13	8000 53165	22	10
8000 12048	8	30	8000 37299	1A	20	8000 53251	22	14
8000 13346	22	3	8000 37906	9	20	8000 53256	22	17
8000 13419	19	5	8000 38767	15	15	8000 53258	22	35
8000 13419	19	22	8000 40449	5	29	8000 53401	22	16
8000 13419	19	28	8000 40633	21	5	8000 53405	22	18
8000 15567	13	11	8000 40633	21A	5	8000 53406	22	20
8000 15992	12	21	8000 40719	10	43	8000 53408	22	4
8000 16083	24	17	8000 40719	13	21	8000 53795	22	37
8000 18048	24	5	8000 40719	18	5	8000 53796	22	27
8000 18153	24	39	8000 40719	19	26	8000 53872	22	15
8000 18648	22	2	8000 40719	20	4	8000 53874	22	26
8000 19609	4	12	8000 40719	22	11	8000 54274	17	14
8000 19768	4	25	8000 40720	1	1	8000 54397	11	27
8000 20066	24	40	8000 40720	10	10	8000 54397	11A	27
8000 20137	24A	11	8000 40720	12	13	8000 54905	20	26
8000 21375	1A	29	8000 40720	21	9	8000 55035	17	35
8000 21480	22	40	8000 40720	21A	9	8000 55259	22	39
8000 21480	22	40	8000 40720	21A	15	8000 56359	12	4
8000 22271	24	4	8000 41512	9	23	8000 56359	21	4
8000 22307	5	56	8000 42001	24	6	8000 56359	21A	4
8000 22613	3	4	8000 42946	24	31	8000 56361	16	2
8000 23110	4	37	8000 43391	10	29	8000 56363	16	4
8000 23979	8	13	8000 43426	22	34	8000 56364	16	7
8000 23981	8	9	8000 43426	23	26	8000 56612	22	41
8000 23983	8	20	8000 43426	23A	24	8000 56623	24	8
8000 23985	8	16	8000 43638	3	14	8000 56624	24	3
8000 23990	8	33	8000 43739	19	20	8000 57293	22	9
8000 24319	1	48	8000 43789	4	5	8000 57303	22	37
8000 25988	22	46	8000 45194	1	26	8000 57304	24	13
8000 27192	12	16	8000 45194	5	71	8000 57306	24	41
8000 27349	21	6	8000 45495	9	21	8000 57307	24	7
8000 27349	21A	6	8000 45498	10	16	8000 57309	24	9
8000 27495	20	27	8000 45498	13	9	8000 57314	24	28
8000 27495	3	11	8000 45498	14	10	8000 57317	24	10
8000 28182	4	4	8000 45498	14	23	8000 57342	22	38
8000 28182	5	2	8000 45498	23	24	8000 57343	22	42
8000 28797	8	26	8000 45498	23	33	8000 57344	22	43
8000 28798	8	25	8000 45498	23A	22	8000 57586	17	34
8000 28799	8	24	8000 45498	23A	28	8000 58140	5	68
8000 29127	25	9	8000 46171	15	17	8000 58900	24	29
8000 29341	6	17	8000 46445	24	31	8000 58901	24	24
8000 29341	6A	28	8000 46645	22	36	8000 58964	19	19
8000 29665	8	8	8000 46664	22	23	8000 58964	20	25
8000 30326	6	36	8000 46665	22	6	8000 59084	16	3
8000 30326	6A	16	8000 46666	22	7	8000 59085	16	10
8000 30594	19	6	8000 46667	22	19	8000 59326	17	10
8000 30594	19	11	8000 46881	1A	38	8000 59327	17	15
8000 30594	19	30	8000 46881	3	15	8000 59539	2	19
8000 31271	5	66	8000 46893	18	15	8000 59540	2	20
8000 32205	5	30	8000 46893	9	11	8000 59572	21	15
8000 32865	8	34	8000 47395	5	82	8000 59572	21	17
8000 32866	8	32	8000 47422	22	8	8000 59939	1	38
8000 32867	8	39	8000 49036	22	24	8000 59939	1A	14
8000 33109	8	7	8000 50217	23A	30	8000 59940	1	36
8000 33211	8	41	8000 51964	22	12	8000 59941	1A	35
8000 33564	20	23	8000 52119	20	28	8000 59942	1	28
8000 33607	23	8	8000 53150	11	11	8000 59960	2	9
8000 33607	23A	8	8000 53150	11A	11	8000 59964	7	2
8000 34306	20	15	8000 53151	11	17	8000 59965	6	2
8000 35531	10	30	8000 53151	11A	17	8000 59965	6A	45
8000 35823	6	35	8000 53155	11	14	8000 59968	2	10
8000 35823	6A	17	8000 53155	11A	14	8000 59975	5	3
8000 36137	7	7	8000 53157	11	15	8000 59976	5	4
8000 36726	24	35	8000 53157	11A	15	8000 59977	4	17

INDICE NUMERICO PROGRESSIVO

Numerical Index

DISEGNO Drawing	TAVOLA Drawing	INDEX No.	DISEGNO Drawing	TAVOLA Drawing	INDEX No.	DISEGNO Drawing	TAVOLA Drawing	INDEX No.
8000 59978	6	10	8000 60906	20	20	8000 63424	6	42
8000 59978	6A	34	8000 60907	20	19	8000 63425	6	9
8000 59979	6	13	8000 60912	22	25	8000 63425	6A	56
8000 59979	6A	31	8000 60913	22	13	8000 63432	6A	5
8000 60166	19	25	8000 60954	25	12	8000 63436	12	19
8000 60171	22	1	8000 61091	24	11	8000 63437	15	7
8000 60233	11	12	8000 61091	24A	17	8000 63513	22	22
8000 60233	11A	12	8000 61121	12	15	8000 63514	22	21
8000 60234	11	13	8000 61122	15	12	8000 63798	6A	53
8000 60234	11A	13	8000 61263	5	5	8000 63821	6	26
8000 60341	12	22	8000 61269	5	79	8000 63822	6	56
8000 60449	4	35	8000 61270	7	9	8000 63886	9	16
8000 60449	5	12	8000 61275	2	18	8000 63959	21	12
8000 60458	6	53	8000 61313	10	35	8000 63960	21	13
8000 60458	6A	58	8000 61313	14	22	8000 64049	21	14
8000 60460	6	50	8000 61313	19	9	8000 64051	21	29
8000 60460	6A	60	8000 61313	20	18	8000 64052	21	30
8000 60463	6	45	8000 61313	24	49	8000 64166	9	22
8000 60464	4	36	8000 61313	24A	9	8000 64400	21	11
8000 60469	6	54	8000 61313	9	14	8000 64405	21	16
8000 60470	6	55	8000 61314	11	16	8000 64406	21	28
8000 60472	5	72	8000 61314	11A	16	8000 64407	21	31
8000 60472	6	38	8000 61314	16	11	8000 64428	15	2
8000 60472	6A	14	8000 61345	9	9	8000 64556	21	7
8000 60473	6	37	8000 61347	22	30	8000 64556	21A	7
8000 60473	6A	15	8000 61347	23	36	8000 64805	17	37
8000 60474	5	40	8000 61348	23	7	8000 64825	25	11
8000 60475	5	36	8000 61350	23	14	8000 64864	1	21
8000 60476	5	6	8000 61350	23A	12	8000 64898	1A	43
8000 60478	10	25	8000 61353	10	42	8000 64907	1	42
8000 60478	13	3	8000 61353	23A	32	8000 64992	1	42
8000 60478	14	5	8000 61355	3	5	8000 64993	1	21
8000 60478	5	76	8000 61357	10	13	8000 64994	2	16
8000 60479	8	1	8000 61359	23A	7	8000 64995	2	14
8000 60480	8	11	8000 61754	22	10	8000 65103	6	7
8000 60481	8	12	8000 62168	1	43	8000 65103	6A	40
8000 60501	8	38	8000 62211	6	4	8000 65280	10	1
8000 60502	8	36	8000 62211	6A	43	8000 65294	22	47
8000 60503	8	10	8000 62215	6	52	8000 65295	16	5
8000 60504	8	42	8000 62215	6A	57	8000 65296	16	8
8000 60505	8	43	8000 62216	6	51	8000 65297	16	8
8000 60508	4	22	8000 62216	6A	59	8000 65300	21A	21
8000 60510	4	22	8000 62253	12	8	8000 65339	24A	2
8000 60510	4	22	8000 62326	10	28	8000 65341	24A	3
8000 60511	4	22	8000 62330	10	19	8000 65343	24A	4
8000 60512	4	22	8000 62343	12	18	8000 65346	24A	1
8000 60513	4	22	8000 62414	10	27	8000 65350	11	4
8000 60524	6A	54	8000 62442	10	33	8000 65351	11	3
8000 60525	6A	55	8000 62762	9	19	8000 65355	11A	3
8000 60526	6A	1	8000 62763	9	19	8000 65388	24A	10
8000 60558	1	33	8000 62792	9	17	8000 65389	24A	12
8000 60559	7	5	8000 62909	24	32	8000 65503	11	1
8000 60577	5	63	8000 62920	9	12	8000 65557	10	1
8000 60738	11A	2	8000 62921	9	1	8000 65736	22	32
8000 60739	11A	4	8000 63019	22	32	80000 1412	15	19
8000 60741	16	9	8000 63021	10	18	80000 1688	23	9
8000 60764	11	29	8000 63059	21	1	80000 1688	23A	9
8000 60765	11	30	8000 63059	21A	1	80000 2124	1A	1
8000 60767	16	9	8000 63140	20	24	80000 2709	6	16
8000 60789	11A	6	8000 63141	20	22	80000 2709	6A	29
8000 60802	11	6	8000 63142	18	11	80000 6238	13	6
8000 60857	10	17	8000 63143	18	2	80000 6238	14	8
8000 60860	10	14	8000 63342	10	1	80000 6287	19	17
8000 60868	15	21	8000 63364	10	1	80000 6385	10	41
8000 60898	19	27	8000 63380	10	18	80000 6385	14	3

INDICE NUMERICO PROGRESSIVO

Numerical Index

DISEGNO Drawing	TAVOLA Drawing	INDEX No.	DISEGNO Drawing	TAVOLA Drawing	INDEX No.	DISEGNO Drawing	TAVOLA Drawing	INDEX No.
80000 6385	18	4						
80000 6385	24	45						
80000 6385	24A	8						
80000 6385	5	26						
80000 6597	5	77						
80000 8536	1	44						
800L 60514	1	41						
800L 61267	1	41						
800L 65222	1	41						
80A0 12032	8	6						
80A0 24058	8	3						
80B0 28183	2	2						
80B0 36022	4	38						
80B0 56003	11	20						
80B0 56003	11A	19						
80B0 56004	11	21						
80B0 56004	11A	20						
80B0 56005	11	25						
80B0 56005	11A	24						
80B0 56537	24	25						
80C0 36022	4	38						
80D0 28183	2	2						
80D0 36022	4	38						
80E0 28183	2	2						
80E0 36022	4	38						
80F0 28183	2	2						
80G0 28183	2	2						
80P0 27910	8	2						
80U0 12041	8	4						
8DD00 5761	8	5						